



US00D616608S

(12) **United States Design Patent**
Maddy

(10) **Patent No.:** **US D616,608 S**

(45) **Date of Patent:** **** May 25, 2010**

(54) **MASCARA CONTAINER**

(75) Inventor: **Timothy Maddy**, Dallas, TX (US)

(73) Assignee: **Mary Kay Inc.**, Dallas, TX (US)

(**) Term: **14 Years**

(21) Appl. No.: **29/346,048**

(22) Filed: **Oct. 26, 2009**

(51) **LOC (9) Cl.** **28-03**

(52) **U.S. Cl.** **D28/76; D9/504**

(58) **Field of Classification Search** D28/76-77,
D28/85-90; D9/503-504; 401/126-130,
401/202; 132/218, 317

See application file for complete search history.

(56) **References Cited**

U.S. PATENT DOCUMENTS

4,887,622	A	12/1989	Gueret	132/320
4,898,193	A	2/1990	Gueret	132/218
4,921,366	A	5/1990	Hurrell	401/126
4,922,934	A	5/1990	Gatti	132/218
4,927,281	A	5/1990	Gueret	401/129
4,927,282	A	5/1990	Morane et al.	401/129
4,929,108	A	5/1990	Gueret	401/126
4,961,665	A	10/1990	Fitjer	401/129
4,964,429	A	10/1990	Cole	132/218
4,972,858	A	11/1990	Beck et al.	132/218
4,974,612	A	12/1990	Gueret	132/218
4,982,838	A	1/1991	Fitjer	206/209
4,993,440	A	2/1991	Gueret	132/218
5,002,415	A	3/1991	Gueret	401/126
5,020,551	A	6/1991	Gueret	132/200
5,027,838	A	7/1991	Iaia et al.	132/218
5,061,103	A	10/1991	Walsh-Smith	401/122
5,086,793	A	2/1992	Kingsford	132/218
5,094,254	A	3/1992	Krueckel et al.	132/218
5,102,250	A	4/1992	Gueret	401/126
5,109,877	A	5/1992	Takeda	132/218
5,121,763	A	6/1992	Kingsford	132/317

(Continued)

Primary Examiner—Jennifer Rivard

(74) *Attorney, Agent, or Firm*—Fulbright & Jaworski L.L.P.

(57) **CLAIM**

I claim the ornamental design for the mascara container, as shown and described.

DESCRIPTION

FIG. 1 is a front view of a first embodiment of my design shown fully assembled.

FIG. 2 is an exploded view thereof.

FIG. 3 is a perspective view of the first embodiment of my design shown fully assembled.

FIG. 4 is an exploded view thereof.

FIG. 5 is a top view of the first embodiment.

FIG. 6 is a bottom view of the first embodiment.

FIG. 7 is a partial front view of the first embodiment illustrated with a magnified front view of the neck portion of the first embodiment designated in FIG. 2.

FIG. 8 is a perspective view of a portion of the first embodiment.

FIG. 9 is a front view of a second embodiment of my design.

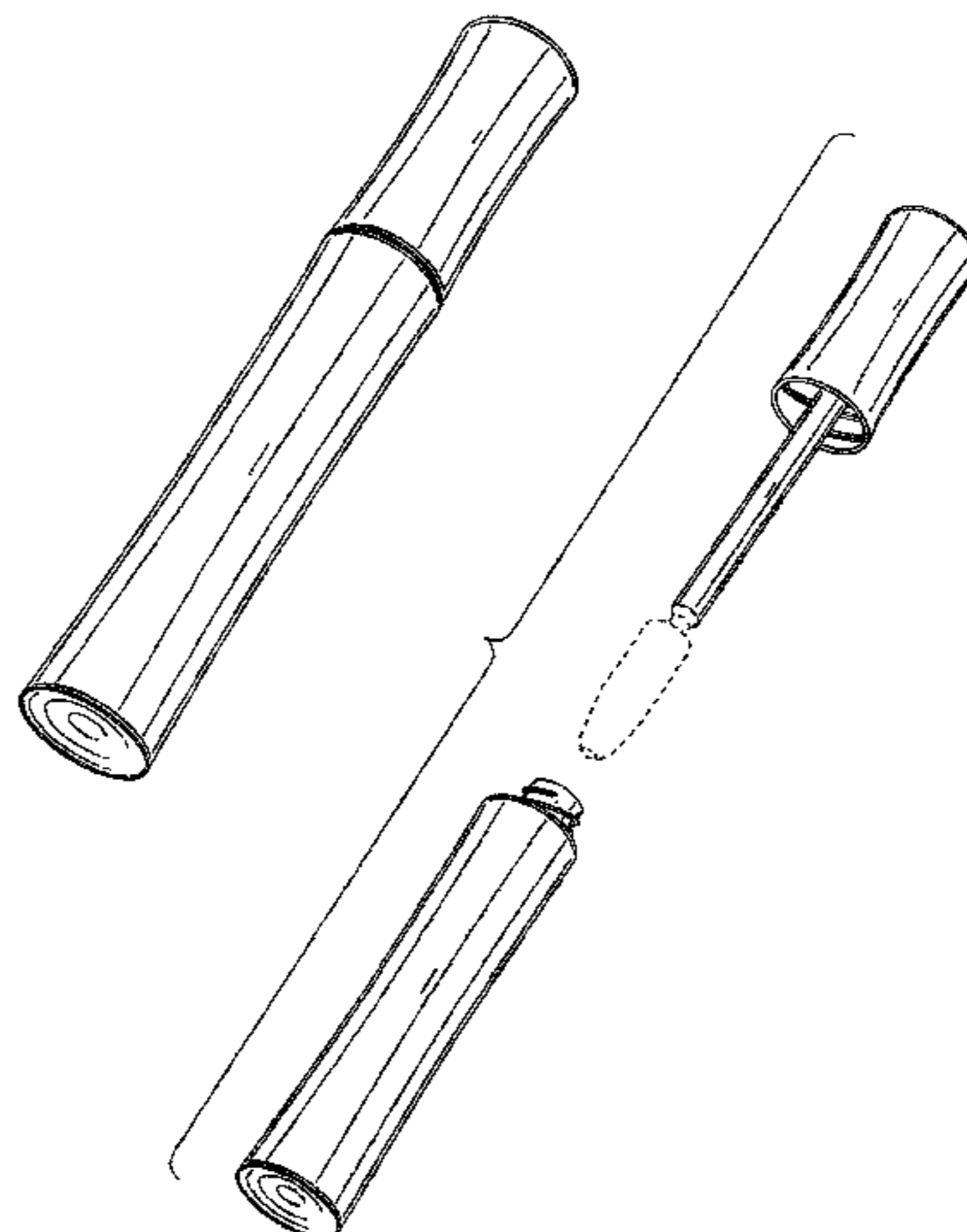
FIG. 10 is a bottom perspective view of the second embodiment.

FIG. 11 is a top view of the second embodiment; and,

FIG. 12 is a bottom view of the second embodiment.

The fully assembled views of both embodiments are symmetrical about their axis. The dashed lines in FIGS. 2, 4, 7 and 8 illustrate portions of the article and form no part of the claimed design. All other surfaces or portions of my design not shown in the figures or otherwise described in the specification form no part of the claimed design.

1 Claim, 8 Drawing Sheets



US D616,608 S

U.S. PATENT DOCUMENTS							
5,123,431 A	6/1992	Wilson	132/320	D440,709 S	4/2001	An	D28/7
5,137,038 A	8/1992	Kingsford	132/218	6,237,609 B1	5/2001	Vasas	132/218
5,161,554 A	11/1992	Fitjer	132/218	6,241,411 B1	6/2001	Brieva et al.	401/129
5,161,555 A	11/1992	Cansler et al.	132/218	6,260,558 B1	7/2001	Neuner	132/218
5,180,241 A	1/1993	Gueret	401/122	6,264,390 B1	7/2001	Lee et al.	401/122
5,188,131 A	2/1993	Toll	132/218	6,279,583 B1	8/2001	Neuner	132/218
5,197,497 A	3/1993	Gueret	132/218	6,295,994 B1	10/2001	Thayer et al.	132/218
5,201,809 A	4/1993	Miura	132/218	6,305,385 B1	10/2001	Szekely	132/218
5,238,011 A	8/1993	Gueret	132/218	6,309,125 B1	10/2001	Peters	401/127
5,247,951 A	9/1993	Machida et al.	132/218	6,341,913 B1	1/2002	Wilson-Jackson	401/129
5,335,465 A	8/1994	Gueret	132/218	6,343,607 B1	2/2002	Gueret	132/218
5,339,841 A	8/1994	Gueret	132/218	6,343,887 B1	2/2002	Dumler et al.	401/129
5,345,644 A	9/1994	Gueret	15/160	6,345,923 B2	2/2002	Gueret	401/129
5,349,972 A	9/1994	Dirksing et al.	132/218	RE37,605 E	3/2002	Clay	132/218
5,357,987 A	10/1994	Schrepf	132/218	6,371,129 B1	4/2002	Le Bras-Brown et al.	132/218
5,370,141 A	12/1994	Gueret	132/218	6,371,130 B1	4/2002	Vasas	132/218
5,391,011 A	2/1995	Gueret	401/126	6,375,941 B1	4/2002	Piot et al.	424/70.7
5,450,865 A	9/1995	Park	132/218	6,394,678 B2	5/2002	Schrepf	401/126
5,482,059 A	1/1996	Miraglia	132/218	6,397,855 B1	6/2002	Dumler	132/218
5,490,529 A	2/1996	Fitjer	132/218	6,408,857 B1	6/2002	Neuner	132/218
5,492,136 A	2/1996	Edmonds	132/218	6,412,496 B1	7/2002	Gueret	132/218
5,492,426 A	2/1996	Gueret	401/126	6,427,700 B1	8/2002	Leone et al.	132/218
5,542,439 A	8/1996	Gueret	132/218	6,443,162 B2	9/2002	Fitjer	132/218
5,551,456 A	9/1996	Hartel	132/218	6,450,177 B1	9/2002	Christoforu et al.	132/218
5,556,214 A	9/1996	Ascolese	401/126	6,450,178 B1	9/2002	Clay	132/218
5,567,072 A	10/1996	Dunleavy et al.	401/129	D464,773 S	10/2002	Fischer et al.	D28/77
5,588,450 A	12/1996	Gueret	132/218	6,470,897 B1	10/2002	Jung et al.	132/218
5,595,198 A	1/1997	Kemmerer	132/218	6,474,890 B1	11/2002	Gueret	401/126
5,611,361 A	3/1997	Leone	132/218	6,481,445 B1	11/2002	Miraglia	132/218
5,620,270 A	4/1997	Gueret	401/126	6,502,584 B1	1/2003	Fordham	132/218
5,657,777 A	8/1997	Gutttag	132/218	6,508,603 B1	1/2003	Vasas	401/129
5,709,230 A	1/1998	Miraglia	132/218	6,532,967 B1	3/2003	Dumler	132/218
5,716,150 A	2/1998	Gueret	401/129	6,565,276 B1	5/2003	Diaz	401/129
5,722,436 A	3/1998	Vandromme et al.	132/218	6,572,296 B2	6/2003	Schrepf	401/122
5,743,279 A	4/1998	Gueret	132/218	6,581,610 B1	6/2003	Gueret	132/218
5,761,760 A	6/1998	Dumler et al.	15/206	6,592,280 B2	7/2003	Petrich et al.	401/126
5,765,573 A	6/1998	Gueret	132/218	6,616,366 B1	9/2003	Weihrauch	401/286
5,765,574 A	6/1998	Sheffler et al.	132/218	6,623,200 B1	9/2003	Gueret	401/129
5,775,344 A	7/1998	Clay	132/218	RE38,397 E	1/2004	Gueret	132/218
5,794,632 A	8/1998	Gueret	132/317	6,676,320 B1	1/2004	Wainer	401/122
5,816,728 A	10/1998	Nardolillo et al.	401/126	6,691,716 B2	2/2004	Neuner et al.	132/218
5,826,600 A	10/1998	Rowe et al.	132/317	6,695,513 B1	2/2004	Malek	401/129
5,853,011 A	12/1998	Gueret	132/218	6,709,181 B1	3/2004	Montoli	401/129
5,860,432 A	1/1999	Gueret	132/218	6,718,990 B1	4/2004	Chastain et al.	132/218
5,862,812 A	1/1999	Dumler	132/218	6,726,387 B2	4/2004	Dumler et al.	401/124
5,875,791 A	3/1999	Sheffler et al.	132/218	6,772,467 B1	8/2004	Weihrauch	15/207.2
5,876,138 A	3/1999	Gueret	401/129	6,792,955 B1	9/2004	Newell	132/218
5,884,634 A	3/1999	Sheffler et al.	132/218	6,799,582 B2	10/2004	Kim	132/317
5,890,828 A	4/1999	Gueret	401/126	6,883,990 B2	4/2005	Shih	401/127
5,894,847 A	4/1999	Gueret	132/218	6,923,187 B2	8/2005	Montoli et al.	132/218
5,913,630 A	6/1999	Kelders et al.	401/126	6,962,160 B2	11/2005	Dumler	132/218
5,913,631 A	6/1999	Landry	401/127	7,025,068 B2	4/2006	Dumler	132/218
5,934,292 A	8/1999	Gueret	132/218	7,028,695 B2	4/2006	Montoli et al.	132/218
5,937,869 A	8/1999	Lhuisset	132/218	D521,383 S *	5/2006	Priestman	D9/529
5,937,870 A	8/1999	Gueret	132/218	7,052,199 B2	5/2006	Rousselet	401/129
5,937,871 A	8/1999	Clay	132/218	D527,269 S *	8/2006	Priestman	D28/76
5,970,990 A	10/1999	Dunton et al.	132/218	7,104,716 B2	9/2006	Petit	401/129
6,003,519 A	12/1999	Gueret	132/218	7,121,284 B2	10/2006	Gueret	132/218
6,012,465 A	1/2000	Gueret	132/218	7,125,188 B2	10/2006	Gueret	401/129
6,016,815 A	1/2000	Christoforou et al.	132/218	7,156,105 B2	1/2007	Gueret	132/218
6,026,823 A	2/2000	Gueret	132/218	7,171,969 B2	2/2007	Gueret	132/218
6,026,824 A	2/2000	Gueret	132/218	7,229,228 B2	6/2007	Dieudonat et al.	401/122
6,026,825 A	2/2000	de Laforcade	132/218	7,254,860 B2	8/2007	Dumler et al.	15/207.2
6,029,675 A	2/2000	Dumler	132/218	7,261,483 B2	8/2007	Gueret	401/126
6,029,676 A	2/2000	Dumler	132/218	7,278,798 B1	10/2007	Kearney	401/129
6,050,273 A	4/2000	Lhuisset	132/317	7,314,050 B2	1/2008	Hartstock et al.	132/218
6,053,179 A	4/2000	Lhuisset	132/218	7,325,550 B2	2/2008	Eckers et al.	132/218
6,067,997 A	5/2000	Gueret	132/218	D564,233 S	3/2008	Dumler	D4/129
6,073,634 A	6/2000	Gueret	132/218	D565,797 S *	4/2008	Maddy	D28/88
6,076,531 A	6/2000	Gueret	132/218	7,350,997 B2	4/2008	Rousselet	401/126
6,145,514 A	11/2000	Clay	132/218	D568,612 S	5/2008	Chan	D4/120
				D572,604 S	7/2008	Garofano et al.	D9/718
				7,429,141 B2	9/2008	Habatjou	401/127

US D616,608 S

7,448,393	B2	11/2008	Beak	132/218	2005/0150509	A1	7/2005	Gueret	132/217
7,452,151	B2	11/2008	Rousselet	401/129	2005/0150510	A1	7/2005	Chant	132/218
D581,673	S	12/2008	Dumler et al.	D4/128	2005/0175394	A1	8/2005	Gueret	401/126
7,465,114	B2	12/2008	Kress et al.	401/129	2005/0196220	A1	9/2005	Gueret	401/129
7,467,906	B2	12/2008	Gueret	401/129	2005/0199256	A1	9/2005	Bauer et al.	132/218
7,481,592	B2	1/2009	Gueret	401/129	2005/0217691	A1	10/2005	Petit	132/320
7,487,784	B2	2/2009	Gueret	132/218	2005/0236008	A9	10/2005	Gueret	132/218
D587,459	S	3/2009	Chiang	D4/128	2005/0241662	A1	11/2005	Sheffler	132/218
D588,818	S	3/2009	Berhault	D4/128	2005/0249539	A1	11/2005	Habatjou	401/127
7,503,718	B2	3/2009	Hamada	401/127	2005/0257802	A1	11/2005	Yasuda	132/218
D590,601	S	4/2009	Schrepf	D4/128	2005/0268415	A1	12/2005	Montoli et al.	15/207.2
7,530,752	B2	5/2009	Gueret	401/129	2005/0286965	A1	12/2005	Dumler	401/122
7,534,062	B2	5/2009	Ramet	401/126	2006/0032512	A1	2/2006	Kress et al.	132/218
7,566,184	B2	7/2009	Befve et al.	401/129	2006/0042647	A1	3/2006	Vogel	132/218
D598,657	S	8/2009	Berhault	D4/128	2006/0051154	A1	3/2006	Bauer et al.	401/123
D599,115	S	9/2009	Berhault	D4/128	2006/0051155	A1	3/2006	Delage	401/127
7,581,546	B2	9/2009	Dumler	132/218	2006/0054179	A1	3/2006	Kuzuu	132/218
7,581,898	B2	9/2009	Gueret	401/129	2006/0056903	A1	3/2006	Gueret	401/129
2001/0010227	A1	8/2001	Dumler	132/218	2006/0070635	A1	4/2006	Dumler et al.	132/218
2001/0050089	A1	12/2001	Fitjer	132/218	2006/0093425	A1	5/2006	Gueret	401/129
2001/0052348	A1	12/2001	Fischer et al.	132/218	2006/0102192	A1	5/2006	Fischer et al.	132/317
2002/0005209	A1	1/2002	Gueret	132/218	2006/0162736	A1	7/2006	Gray	132/218
2002/0007837	A1	1/2002	Mathiez	132/218	2006/0162737	A1	7/2006	Montoli	132/218
2002/0014250	A1	2/2002	Gueret	132/218	2006/0225759	A1	10/2006	Kukuda	132/218
2002/0014251	A1	2/2002	Gueret	132/218	2006/0225760	A1	10/2006	Kearney	132/218
2002/0020426	A1	2/2002	Gueret	132/218	2006/0225761	A1	10/2006	Secosky	132/218
2002/0023657	A1	2/2002	Gueret	132/218	2006/0228157	A1	10/2006	Dieudonat et al.	401/127
2002/0023658	A1	2/2002	Gueret	132/218	2006/0233590	A1	10/2006	Thiebaut	401/129
2002/0029786	A1	3/2002	Sunago	132/218	2006/0249171	A1	11/2006	Kurek et al.	132/218
2002/0088473	A1	7/2002	Fonseca et al.	132/218	2006/0260633	A1	11/2006	Wyatt et al.	132/218
2002/0104547	A1	8/2002	Stevenson	132/218	2006/0272667	A1	12/2006	Wyatt et al.	132/218
2002/0124860	A1	9/2002	Gueret	132/218	2006/0272668	A1	12/2006	Wyatt et al.	132/218
2002/0124861	A1	9/2002	Gueret	132/218	2006/0289027	A1	12/2006	Wyatt et al.	132/218
2002/0164192	A1	11/2002	Gueret	401/129	2007/0025803	A1	2/2007	Dieudonat	401/127
2002/0168214	A1	11/2002	Carullo et al.	401/129	2007/0033760	A1	2/2007	Dumler	15/187
2002/0174877	A1	11/2002	Gueret	132/218	2007/0034224	A1	2/2007	Dumler	132/218
2002/0195117	A1	12/2002	Bailly	132/218	2007/0062551	A1	3/2007	De Brouwer et al.	132/218
2003/0075199	A1	4/2003	Bertazza et al.	132/317	2007/0062552	A1	3/2007	De Brouwer et al.	132/218
2003/0084913	A1	5/2003	Gueret	132/218	2007/0079844	A1	4/2007	Dieudonat et al.	132/218
2003/0147686	A1	8/2003	Duqueroie	401/129	2007/0127974	A1	6/2007	Chang et al.	401/129
2003/0150075	A1	8/2003	Montoli et al.	15/206	2007/0157945	A1	7/2007	Lhoyer et al.	132/218
2003/0150077	A1	8/2003	Montoli et al.	15/206	2007/0204872	A1	9/2007	Kee	132/218
2003/0156885	A1	8/2003	Lee	401/126	2007/0204874	A1	9/2007	Kim	132/218
2003/0168076	A1	9/2003	Vieu	132/317	2007/0204875	A1	9/2007	Kim	132/218
2003/0200979	A1	10/2003	Montoli	132/218	2007/0221241	A1	9/2007	Gueret	132/218
2003/0200980	A1	10/2003	LeGassie	132/218	2007/0256700	A1	11/2007	Bodelin	132/218
2003/0213498	A1	11/2003	Gueret	132/218	2007/0289602	A1	12/2007	Simmons	132/218
2003/0235454	A1	12/2003	Gueret	401/126	2008/0000491	A1	1/2008	Bodelin	132/200
2004/0009028	A1	1/2004	Gueret	401/129	2008/0000494	A1	1/2008	Sek	132/317
2004/0028454	A1	2/2004	Muller	401/123	2008/0011316	A1	1/2008	Malvar et al.	132/218
2004/0028455	A1	2/2004	Petit	401/127	2008/0011317	A1	1/2008	Malvar et al.	132/218
2004/0035436	A1	2/2004	Montoli	132/218	2008/0017215	A1	1/2008	Thiebaut	132/218
2004/0107974	A1	6/2004	Paratore et al.	132/218	2008/0023020	A1	1/2008	Gueret	132/218
2004/0112400	A1	6/2004	Kurek	132/218	2008/0031676	A1	2/2008	Lhoyer	401/122
2004/0123876	A1	7/2004	Ma	132/218	2008/0041407	A1	2/2008	Kearney	132/218
2004/0129286	A1	7/2004	Chan	132/218	2008/0053471	A1	3/2008	Bailey et al.	132/218
2004/0134507	A1	7/2004	Gueret	132/218	2008/0060668	A1	3/2008	Legassie	132/218
2004/0237989	A1	12/2004	Montoli	132/218	2008/0060669	A1	3/2008	Malvar et al.	132/218
2004/0258454	A1	12/2004	Ramet	401/124	2008/0083417	A1	4/2008	Schrepf	132/200
2005/0011532	A1	1/2005	Gueret	132/218	2008/0099034	A1	5/2008	Dieudonat	132/218
2005/0031400	A1	2/2005	Marcotte et al.	401/129	2008/0115798	A1	5/2008	Rainey et al.	132/218
2005/0042017	A1	2/2005	Pellegatta et al.	401/129	2008/0142034	A1	6/2008	Manici et al.	132/218
2005/0058498	A1	3/2005	Botto et al.	401/126	2008/0149127	A1	6/2008	Rebours	132/218
2005/0061350	A1	3/2005	Durnberger	132/218	2008/0152419	A1	6/2008	Hartstock et al.	401/121
2005/0066990	A1	3/2005	Rousselet	132/218	2008/0163884	A1	7/2008	Schrepf	132/217
2005/0081874	A1	4/2005	Mathiez	132/218	2008/0169000	A1	7/2008	Jonckheere et al.	132/218
2005/0092345	A1	5/2005	Lim	132/317	2008/0178901	A1	7/2008	Montoli	132/218
2005/0115011	A1	6/2005	Petit	15/191.1	2008/0184512	A1	8/2008	Gueret	15/206
2005/0115583	A1	6/2005	Lhoyer	132/218	2008/0196738	A1	8/2008	Mathiez	132/218
2005/0129451	A1	6/2005	Gueret	401/121	2008/0202546	A1	8/2008	Keurinck	132/218
2005/0129452	A1	6/2005	Bosman	401/122	2008/0210254	A1	9/2008	Jeong et al.	132/218
2005/0133056	A1	6/2005	Montoli	132/218	2008/0216857	A1	9/2008	Tranchant et al.	132/218
2005/0145262	A1	7/2005	Dunton et al.	132/218	2008/0219748	A1	9/2008	Salciarini	401/129

US D616,608 S

Page 4

2008/0236607	A1	10/2008	Lee et al.	132/218	2009/0065019	A1	3/2009	Salciarini	132/218
2008/0236608	A1	10/2008	Tranchant et al.	132/218	2009/0065020	A1	3/2009	Butcher et al.	132/218
2008/0245382	A1	10/2008	Marciniak- Davoult et al.	132/200	2009/0067913	A1	3/2009	Vintimiglia	401/129
2008/0245385	A1	10/2008	Schrepf	132/218	2009/0071498	A1	3/2009	Tranchant	132/218
2008/0251093	A1	10/2008	Gueret	132/200	2009/0071499	A1	3/2009	Wyatt et al.	132/218
2008/0271746	A1	11/2008	Gueret	132/218	2009/0071500	A1	3/2009	Wyatt et al.	132/218
2008/0276955	A1	11/2008	Neuner et al.	132/218	2009/0095317	A1	4/2009	Poetschl et al.	132/320
2008/0283077	A1	11/2008	Gueret	132/218	2009/0097900	A1	4/2009	Handler	401/129
2008/0283078	A1	11/2008	Dumler	132/218	2009/0114239	A1	5/2009	Chen	132/218
2008/0286030	A1	11/2008	Roder	401/129	2009/0120452	A1	5/2009	Rebours	132/218
2008/0302379	A1	12/2008	Chan	132/218	2009/0133707	A1	5/2009	Gueret	132/200
2008/0302380	A1*	12/2008	Morales	132/218	2009/0133708	A1	5/2009	Myers	132/218
2008/0314403	A1	12/2008	Rebours	132/218	2009/0139535	A2	6/2009	Gueret	132/200
2008/0317542	A1	12/2008	Gueret	401/121	2009/0159094	A1	6/2009	Dumler	132/218
2009/0007928	A1	1/2009	Kress et al.	132/218	2009/0193602	A1	8/2009	Dumler et al.	15/160
2009/0007929	A1	1/2009	Kress	132/218	2009/0194120	A1	8/2009	Pires et al.	132/200
2009/0014022	A1	1/2009	Salciarini	132/200	2009/0194127	A1	8/2009	Pires et al.	132/218
2009/0025746	A1	1/2009	Kim et al.	132/217	2009/0194128	A1	8/2009	Vandromme	132/218
2009/0032046	A1	2/2009	Gueret	132/200	2009/0214284	A1	8/2009	Gueret	401/121
2009/0044824	A1	2/2009	Stachowski	132/218	2009/0214285	A1	8/2009	Cho	401/126
2009/0056737	A1	3/2009	Neuner et al.	132/218	2009/0226238	A1	9/2009	Lane et al.	401/129
2009/0065018	A1	3/2009	Berhault	132/218					

* cited by examiner

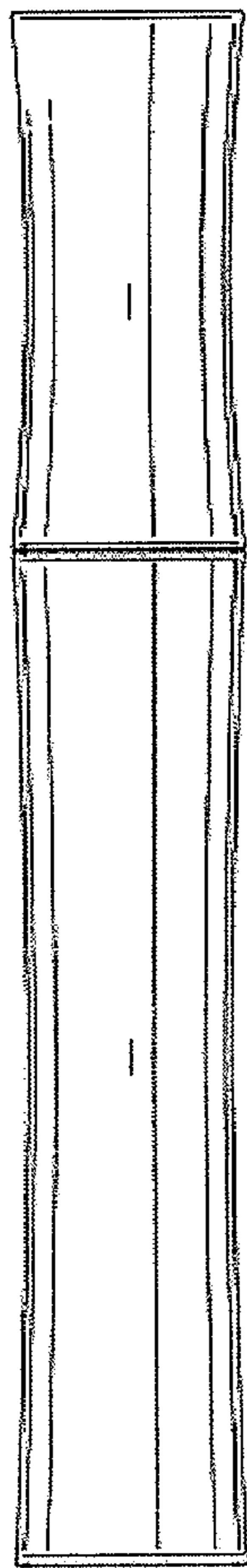


FIG. 1

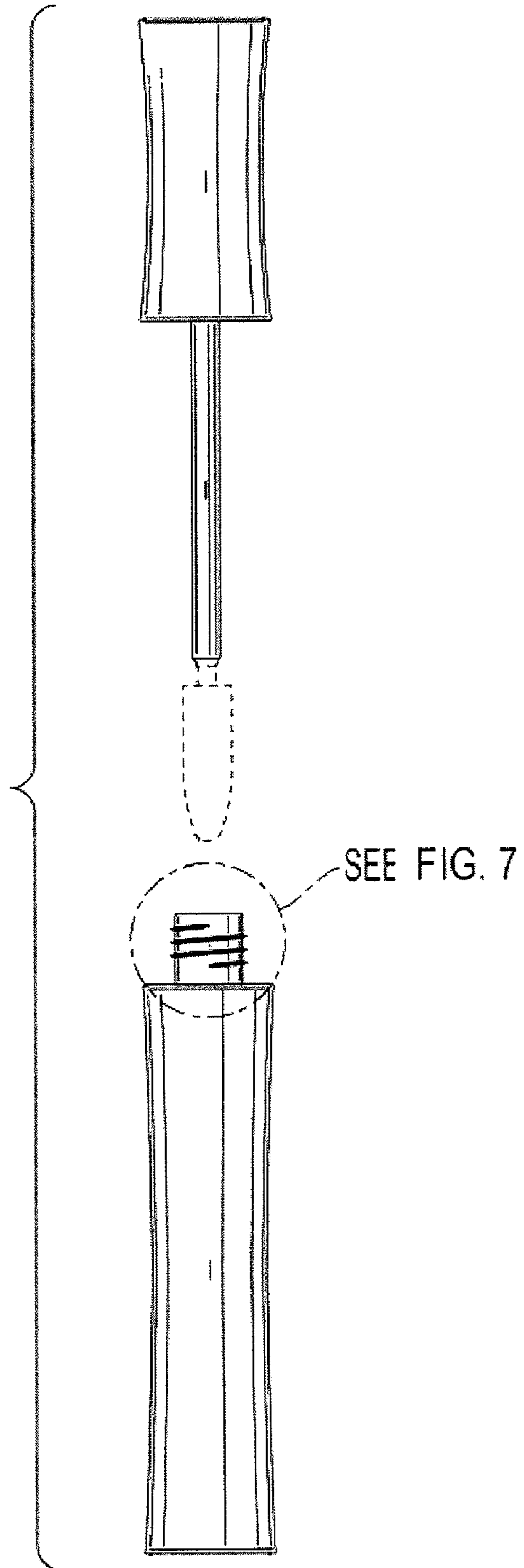


FIG. 2

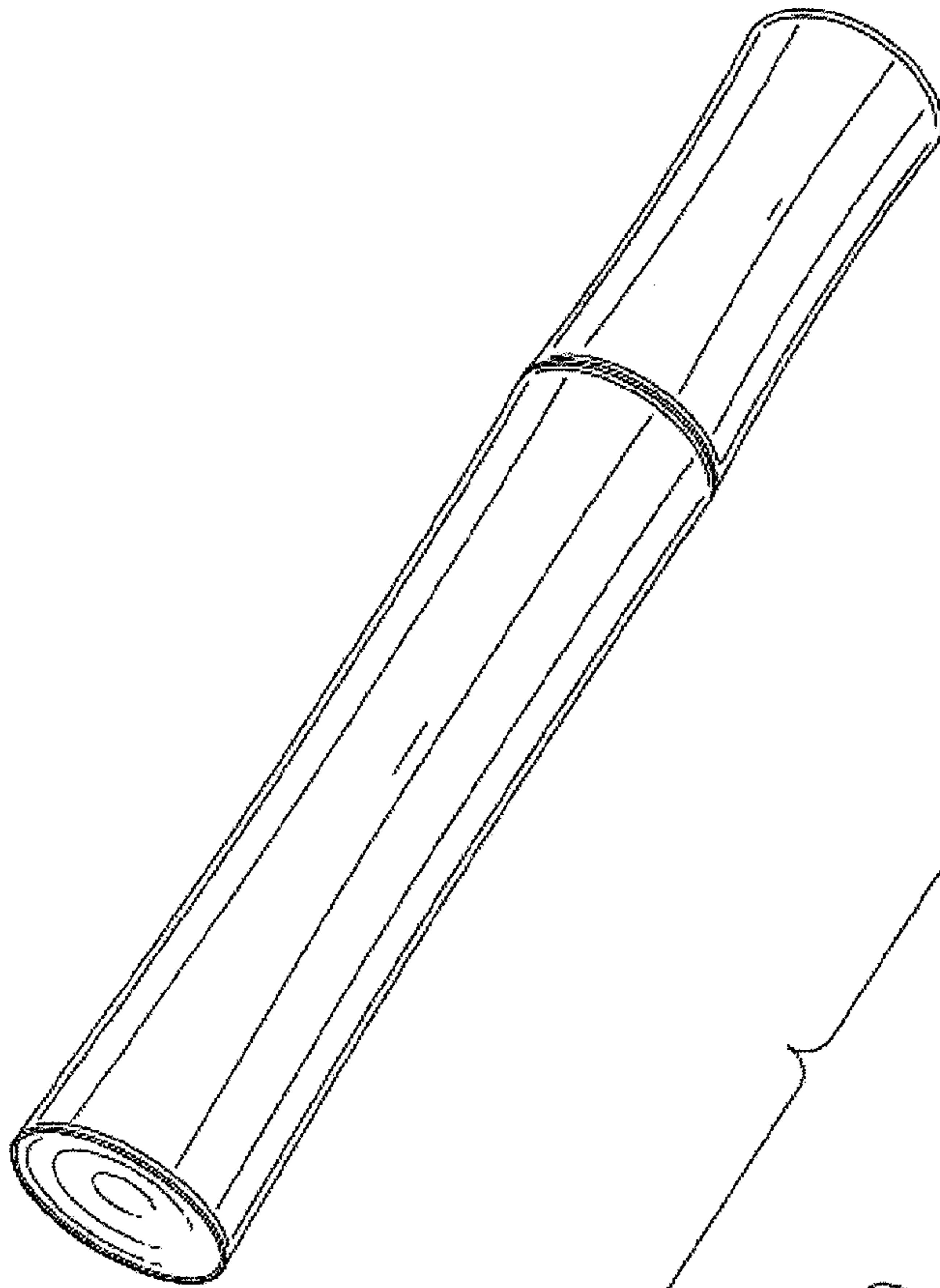


FIG. 3

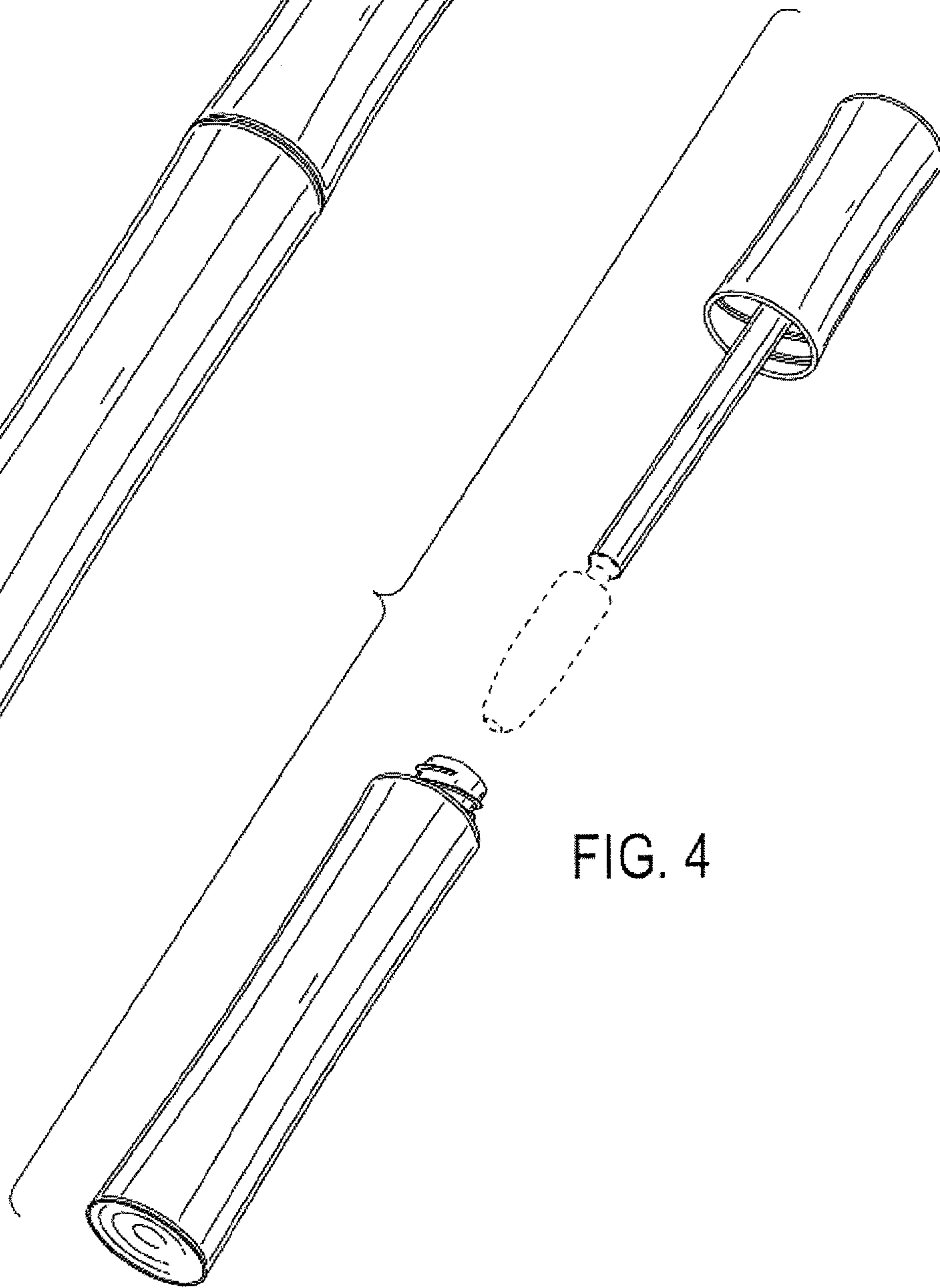


FIG. 4

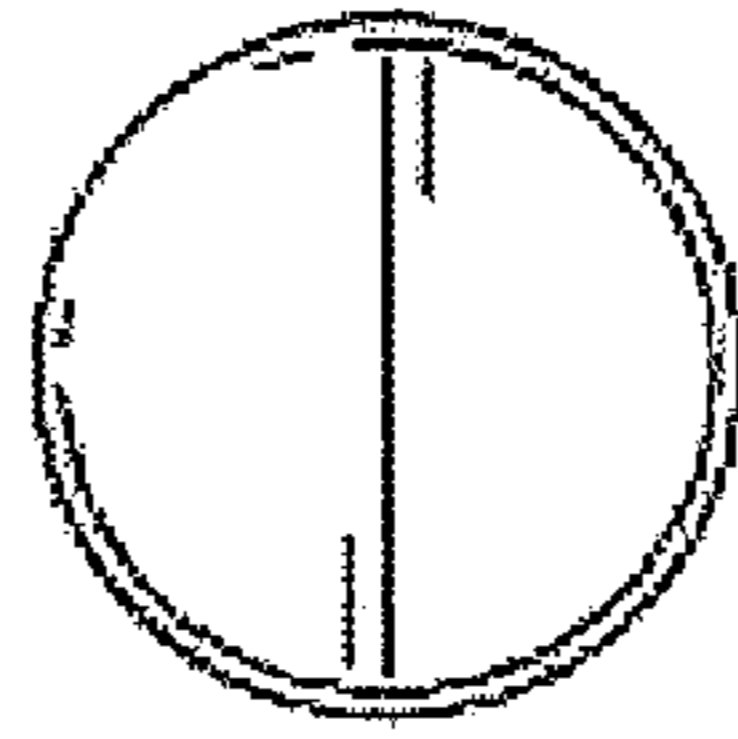


FIG. 5

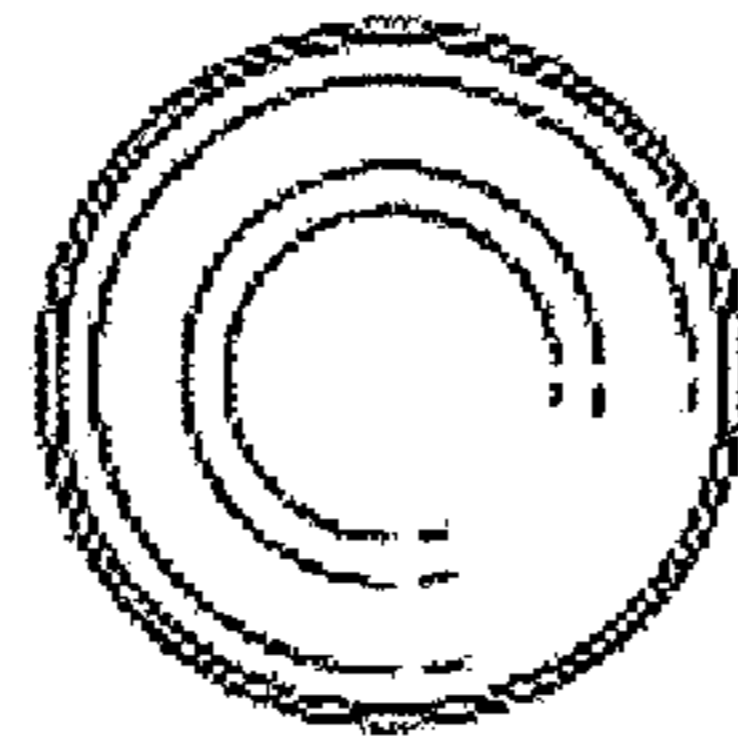


FIG. 6

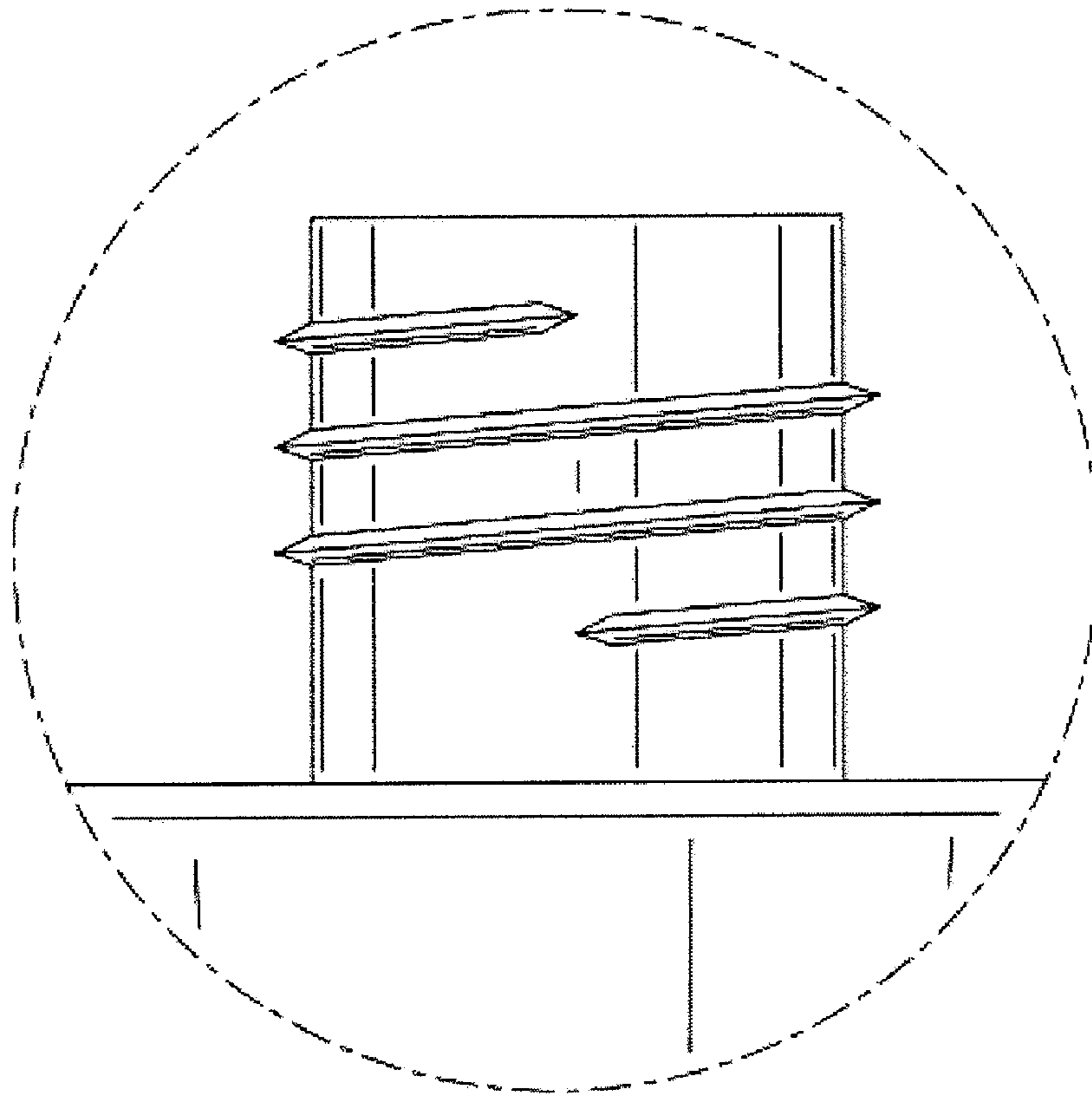


FIG. 7

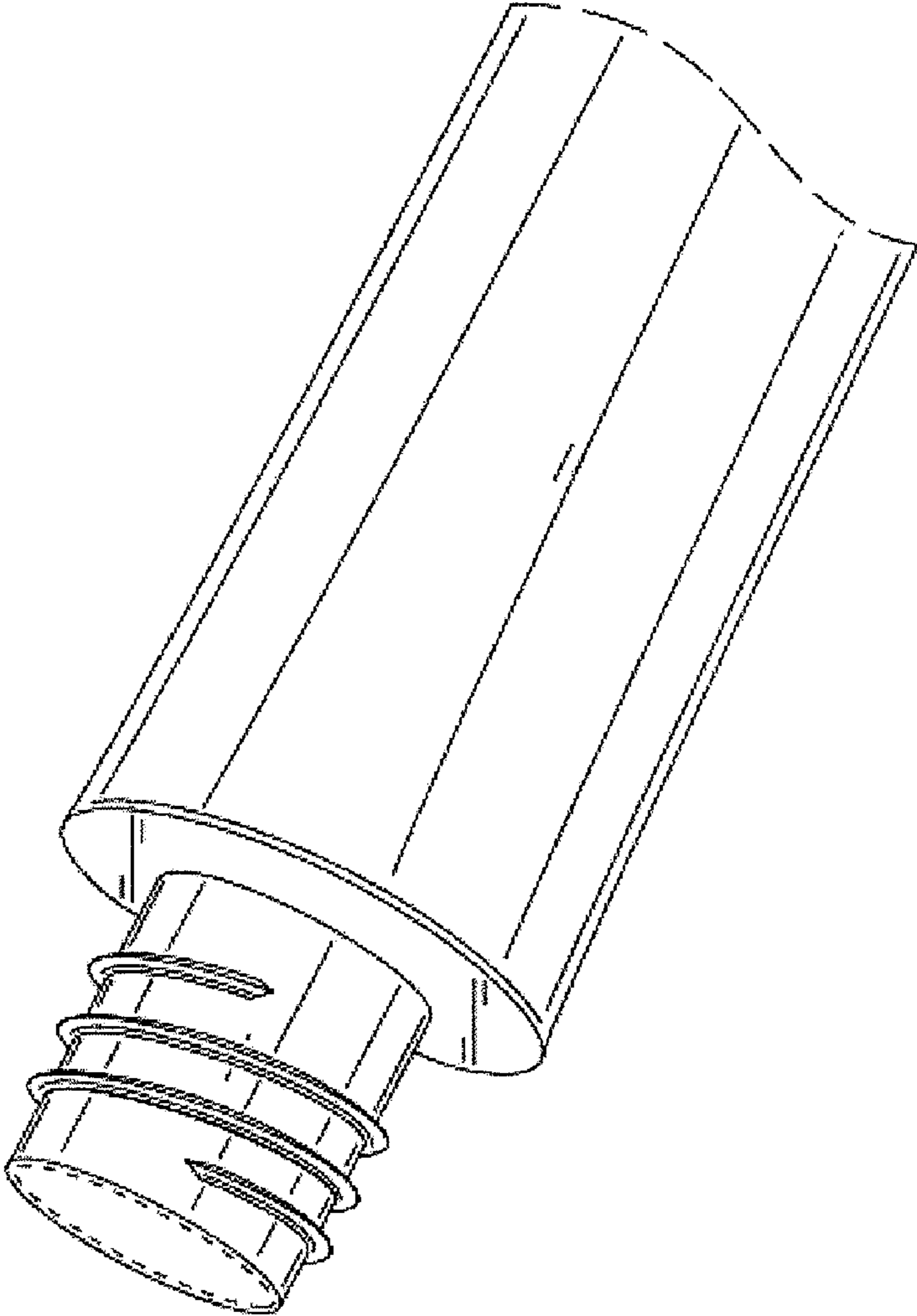


FIG. 8

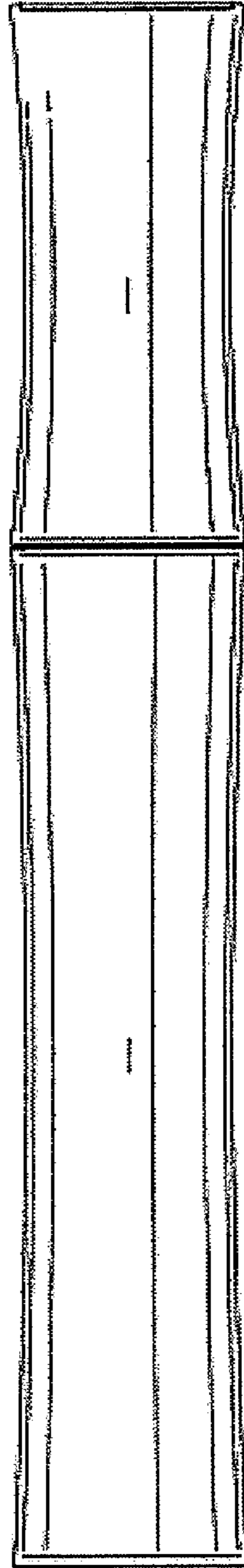


FIG. 9

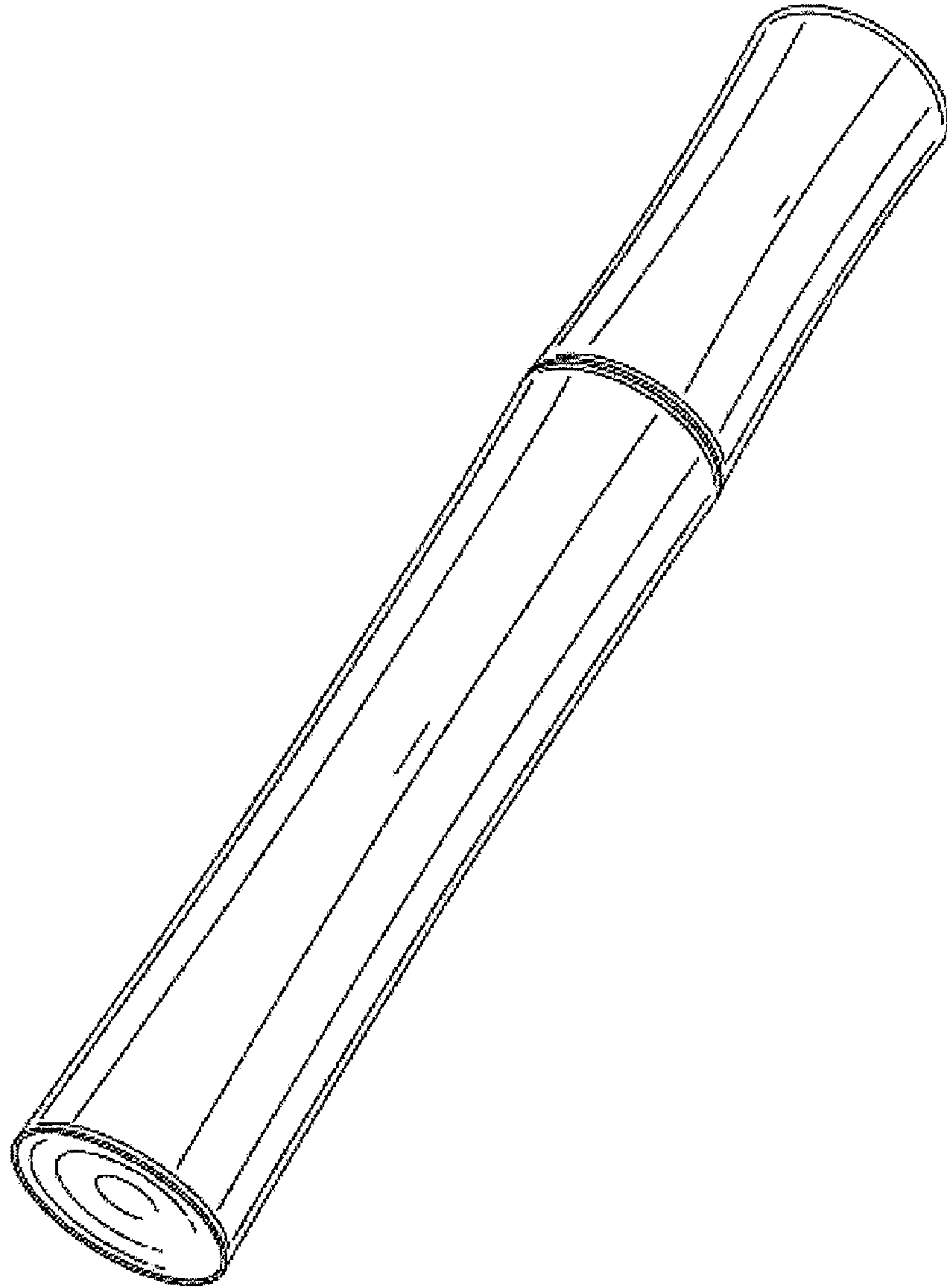


FIG. 10

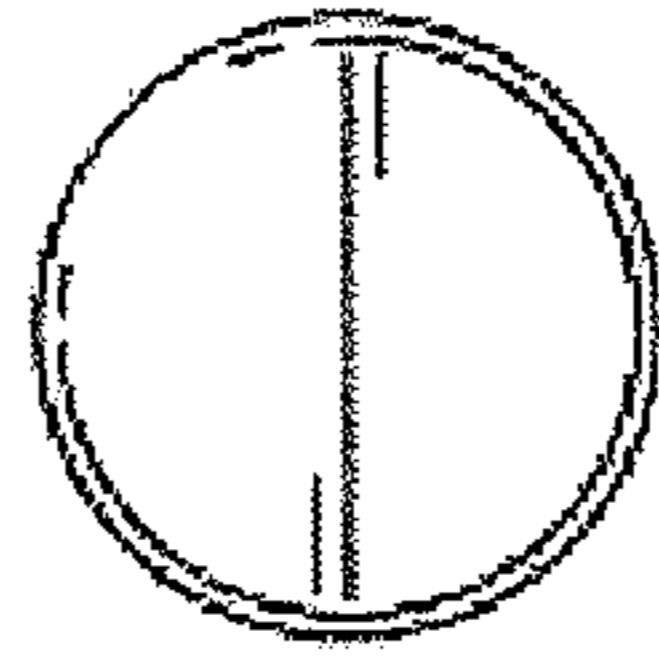


FIG. 11

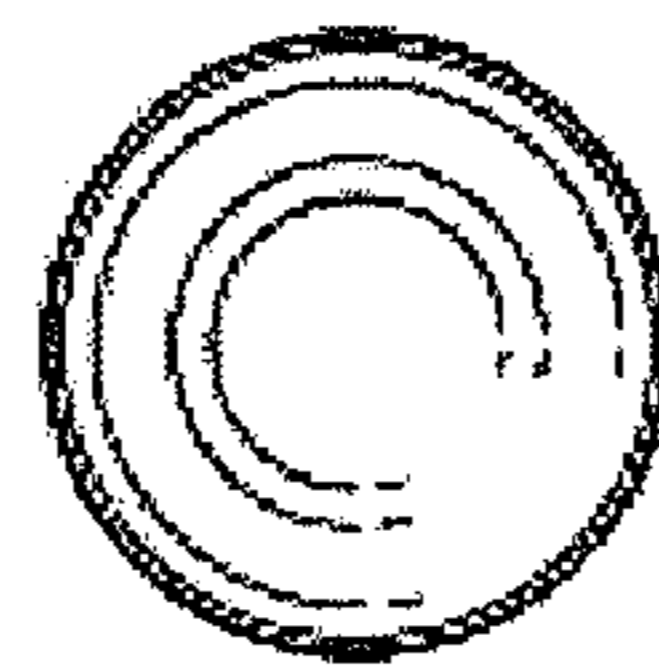


FIG. 12