



US00D616602S

(12) **United States Design Patent**  
**Leeds et al.**

(10) **Patent No.:** **US D616,602 S**  
(45) **Date of Patent:** **\*\* May 25, 2010**

(54) **CIGARETTE URN**

(75) Inventors: **Richard B. Leeds**, Cold Spring Harbor, NY (US); **Mark A. Goldberg**, Lido Beach, NY (US)

(73) Assignee: **Global Equipment Company, Inc.**, Port Washington, NY (US)

(\*\*) Term: **14 Years**

(21) Appl. No.: **29/341,010**

(22) Filed: **Jul. 29, 2009**

**Related U.S. Application Data**

(63) Continuation-in-part of application No. 12/435,504, filed on May 5, 2009, and a continuation-in-part of application No. 11/362,647, filed on Feb. 27, 2006, and a continuation-in-part of application No. 10/833,988, filed on Apr. 28, 2008, now Pat. No. 7,650,890.

(51) **LOC (9) Cl.** ..... **27-02**

(52) **U.S. Cl.** ..... **D27/102**

(58) **Field of Classification Search** ..... D27/102, D27/104-107, 110-112, 122, 123, 131, 134, D27/135; D21/472; D32/53; D34/2; 131/233, 131/242; 220/576, 475, 480

See application file for complete search history.

(56) **References Cited**

**U.S. PATENT DOCUMENTS**

D17,296 S \* 5/1887 Putman et al. .... D27/102  
413,222 A 10/1889 Brewington et al. .... 414/441

(Continued)

*Primary Examiner*—Dominic Simone

(74) *Attorney, Agent, or Firm*—Davidoff Malito & Hatcher LLP

(57) **CLAIM**

The ornamental design for a cigarette urn, as shown and described.

**DESCRIPTION**

FIG. 1 is an isometric view of a first embodiment of a cigarette urn as stored, packaged and/or transported in accordance with the invention, wherein the cigarette urn may have a compact form and include three pieces.

FIG. 2 is a front view of the embodiment shown in FIG. 1.

FIG. 3 is a right side view of the embodiment shown in FIG. 1.

FIG. 4 is a rear view of the embodiment shown in FIG. 1.

FIG. 5 is a left side view of the embodiment shown in FIG. 1.

FIG. 6 is a top view of the embodiment shown in FIG. 1.

FIG. 7 is a bottom view of the embodiment shown in FIG. 1.

FIG. 8 is an isometric view of a second embodiment of a cigarette urn as stored, packaged and/or transported in accordance with the invention, wherein the broken lines form no part of the claimed design, and wherein the cigarette urn may have a compact form and include three pieces.

FIG. 9 is a front view of the embodiment shown in FIG. 8.

FIG. 10 is a right side view of the embodiment shown in FIG. 8.

FIG. 11 is a rear view of the embodiment shown in FIG. 8.

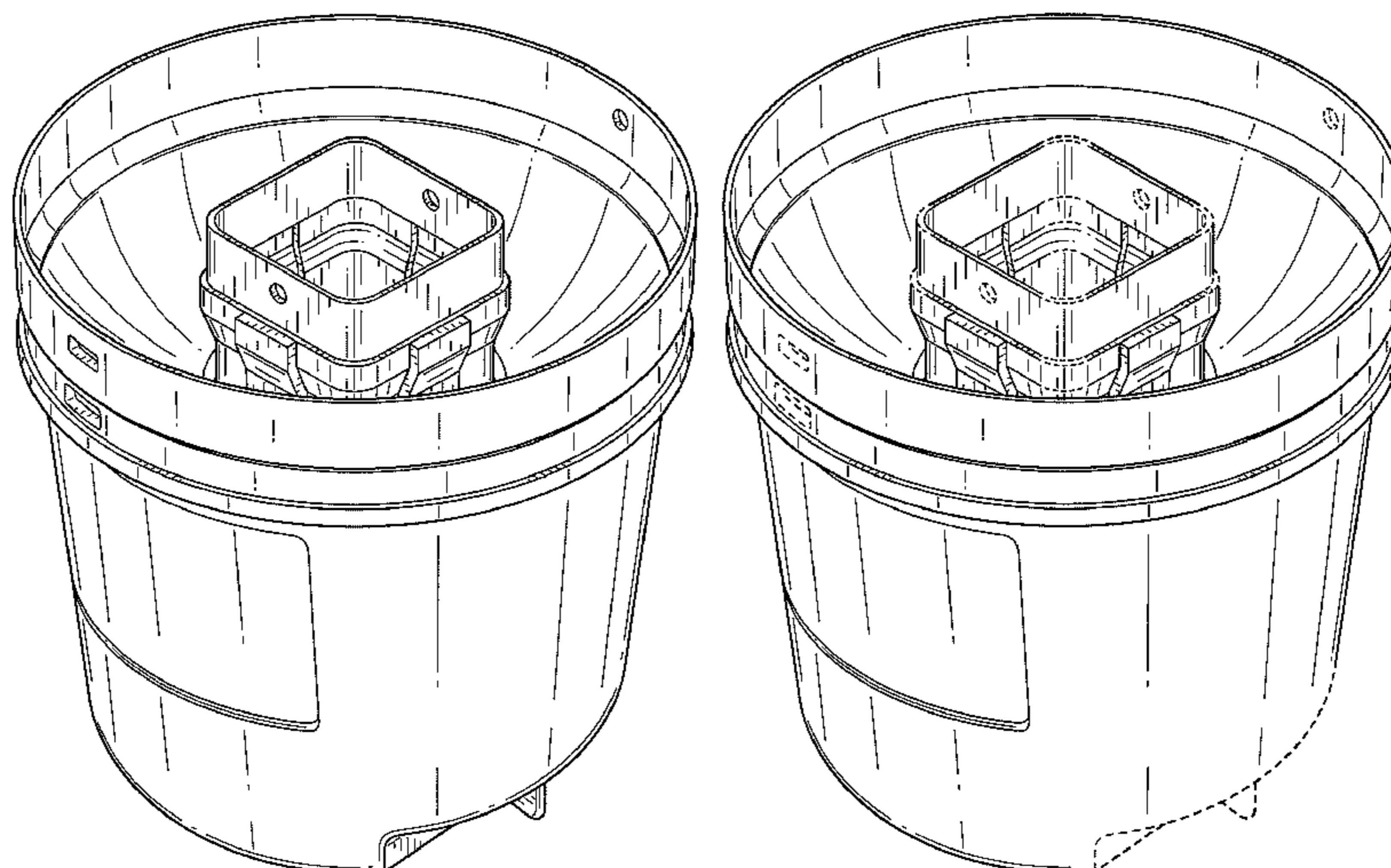
FIG. 12 is a left side view of the embodiment shown in FIG. 8.

FIG. 13 is a top view of the embodiment shown in FIG. 8; and,

FIG. 14 is a bottom view of the embodiment shown in FIG. 8.

The broken lines form no part of the claimed design.

**1 Claim, 8 Drawing Sheets**



# US D616,602 S

Page 2

## U.S. PATENT DOCUMENTS

1,645,525	A	10/1927	Fleming	232/43.2	D175,023	S *	6/1955	Koch	D27/106
1,646,086	A	10/1927	Fleming	232/43.2	2,842,280	A *	7/1958	Nelson	220/576
1,646,099	A	10/1927	Mitchell	232/43.2	4,739,892	A	4/1988	Tudek	215/232
1,662,171	A	3/1928	Savery	232/43.2	4,741,937	A	5/1988	Parker	428/36.4
1,670,525	A	5/1928	Savery	232/43.2	D398,663	S *	9/1998	Freeland	D21/532
1,735,671	A	11/1929	Bunker	232/43.2	D417,326	S *	11/1999	Greene	D32/53
1,747,356	A	2/1930	Fleming	232/43.2	6,186,355	B1	2/2001	Luedecke	220/576
1,800,665	A *	4/1931	Schultz	220/576	6,626,322	B1	9/2003	Carter et al.	220/576
1,802,938	A	4/1931	Burger	232/43.2	6,776,167	B1	8/2004	Gillispie	131/231
1,807,079	A	5/1931	Wilmanns	131/240.1	D496,753	S *	9/2004	Thornell et al.	D27/105
1,807,589	A *	6/1931	Edmunds	220/475	7,055,714	B2	6/2006	Perelli et al.	220/576
1,921,933	A	8/1933	Levenberg et al	232/43.2	D548,393	S *	8/2007	Smith	D27/133
2,059,105	A	10/1936	Heisenfeldt	232/43.5	2004/0060940	A1	4/2004	Carter et al.	220/576
2,114,027	A	4/1938	McDonald	248/159	2006/0096992	A1	5/2006	Weiss et al.	220/576
2,437,226	A	3/1948	Fischer	220/576	2006/0180590	A1	8/2006	Perelli et al.	220/576
2,470,463	A *	5/1949	Botten	220/480	2006/0196924	A1	9/2006	Cabalu	232/43.2

\* cited by examiner

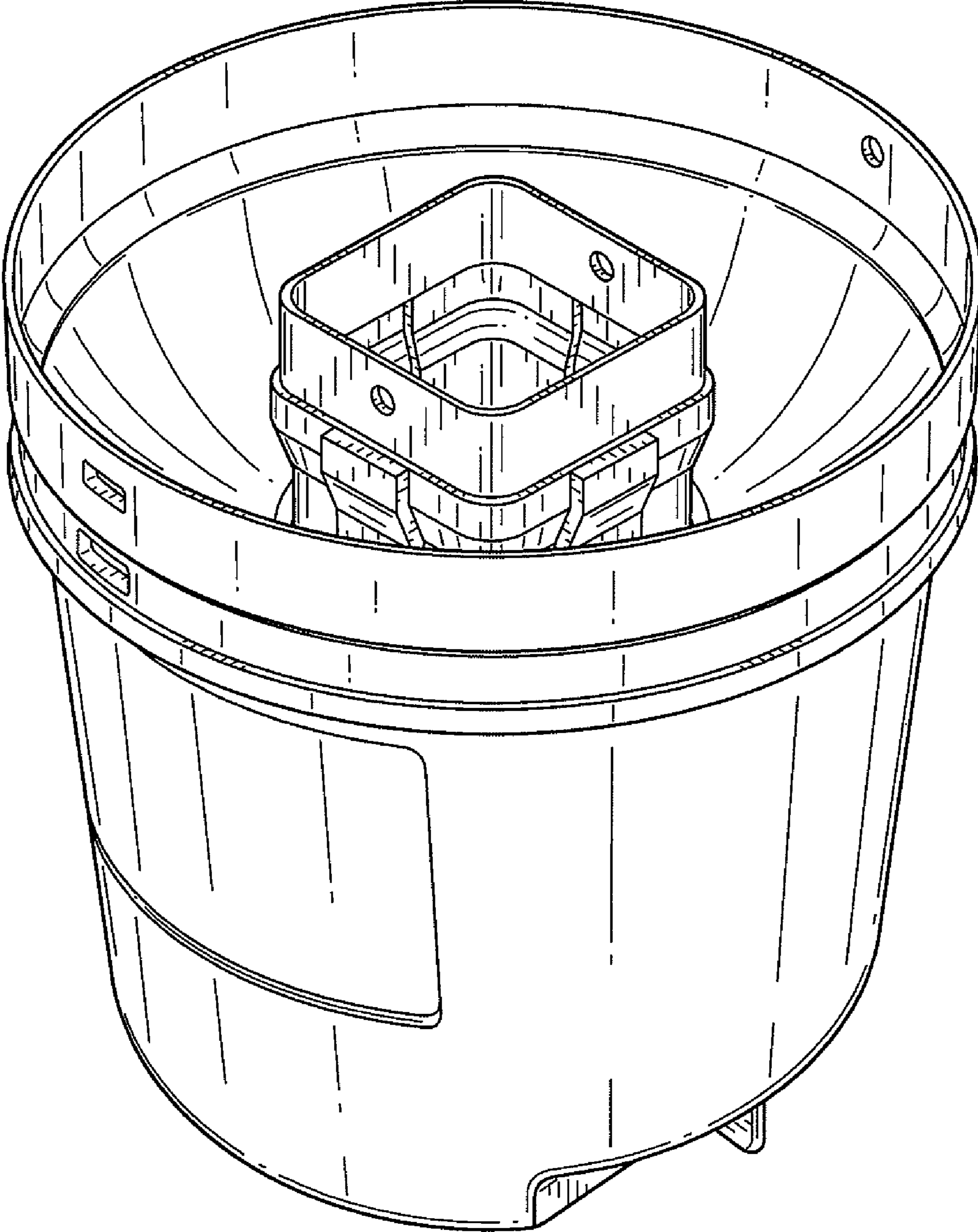


FIG. 1

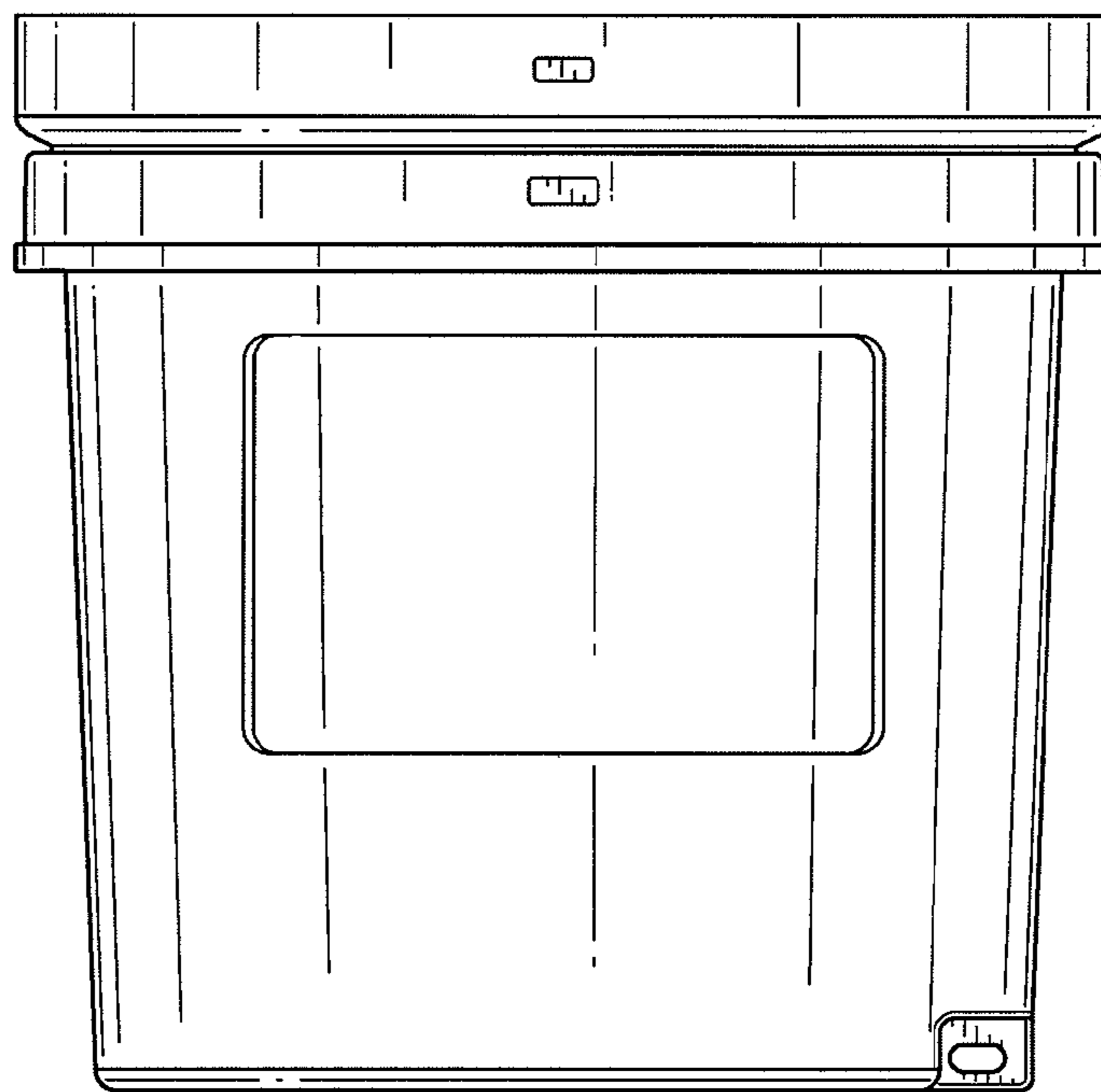


FIG. 2

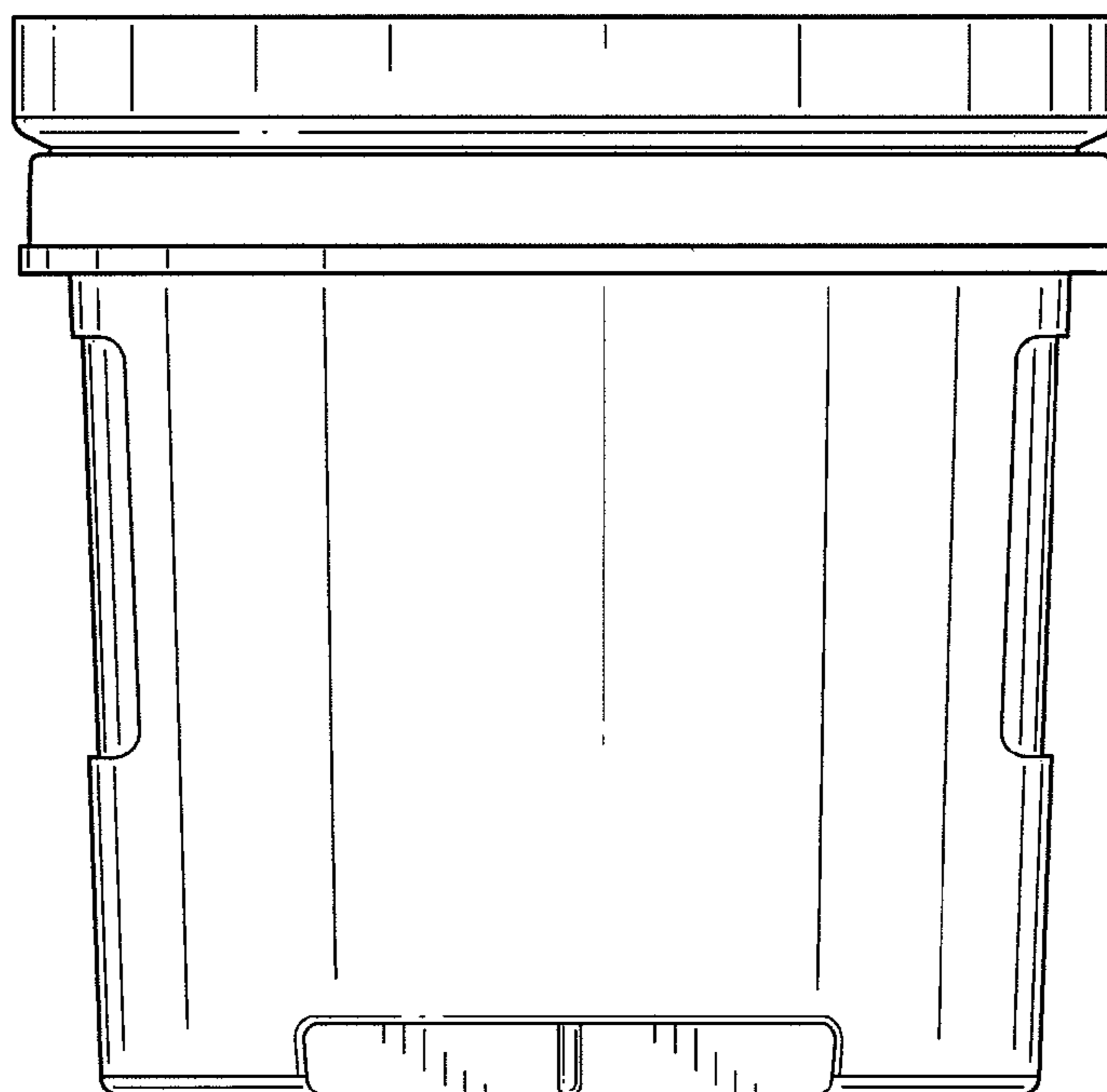


FIG. 3

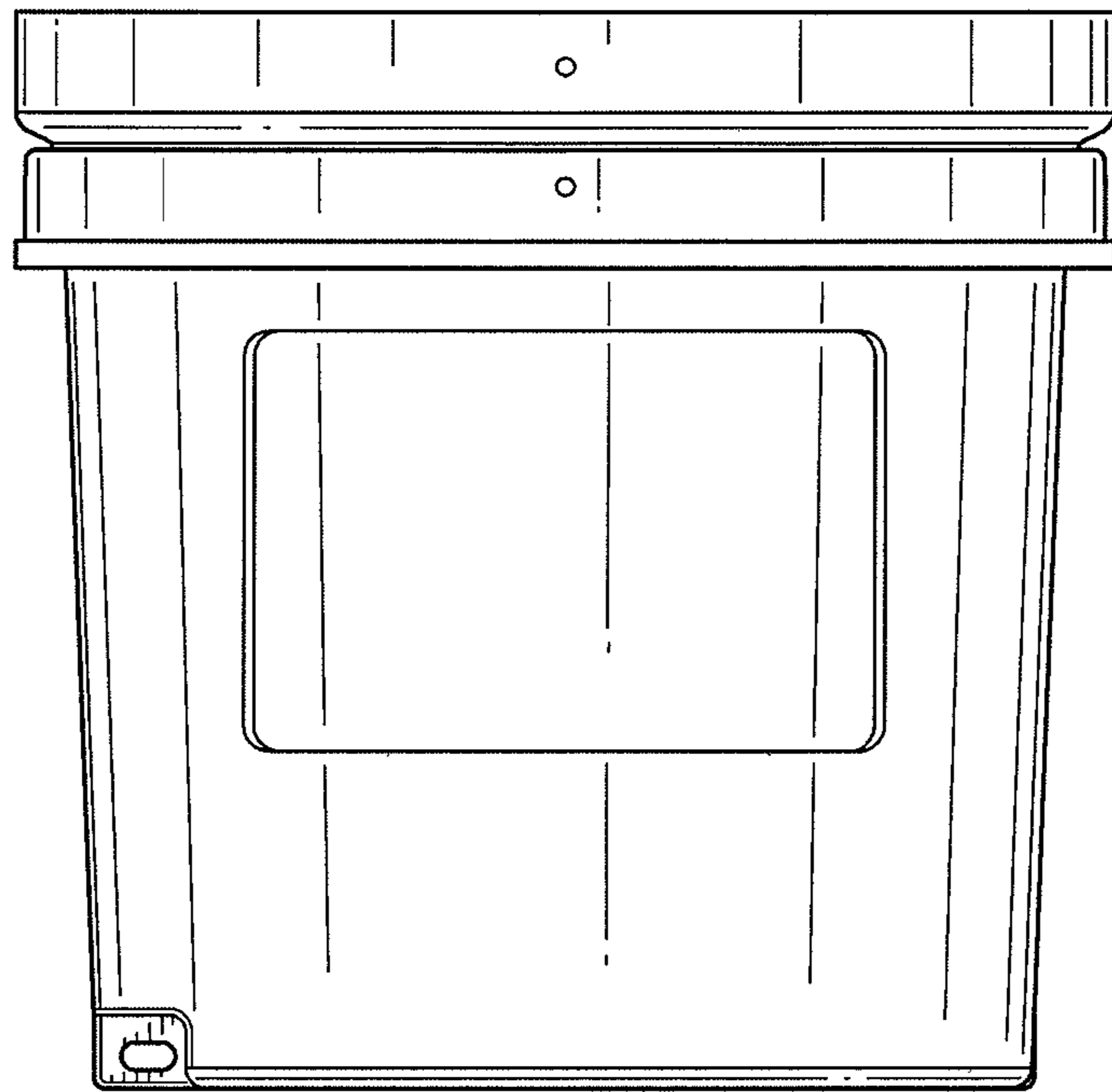


FIG. 4

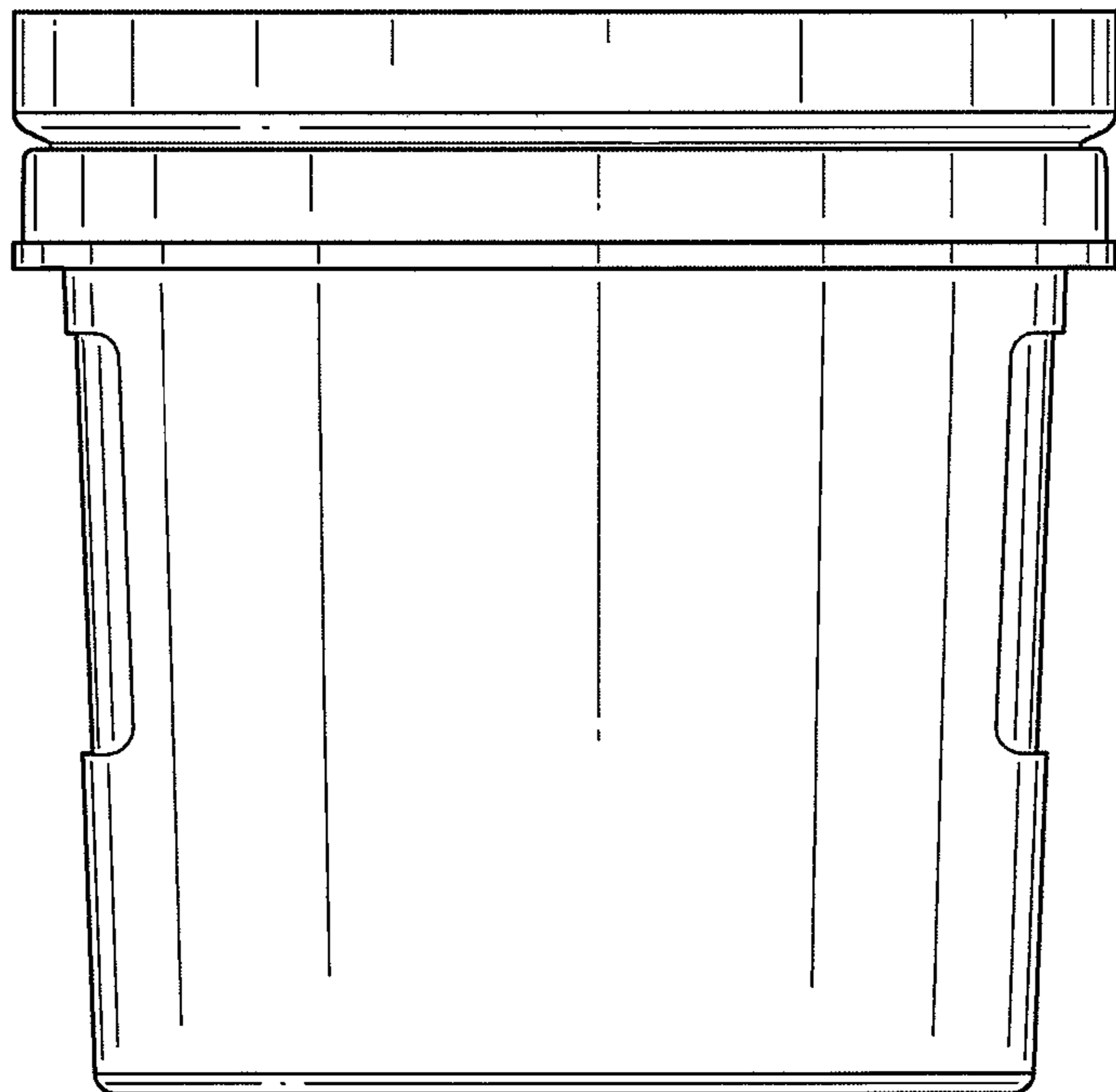


FIG. 5

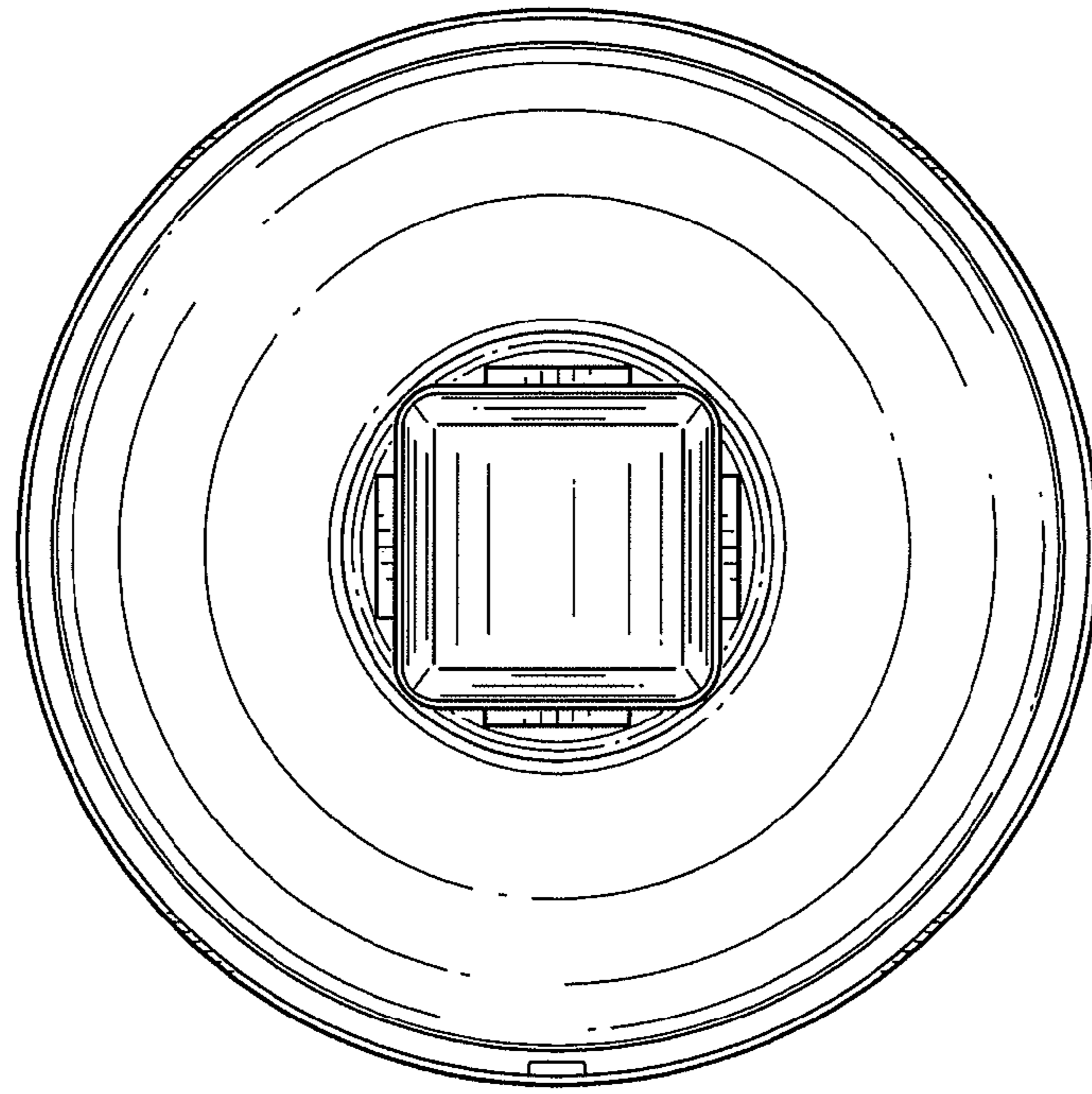


FIG. 6

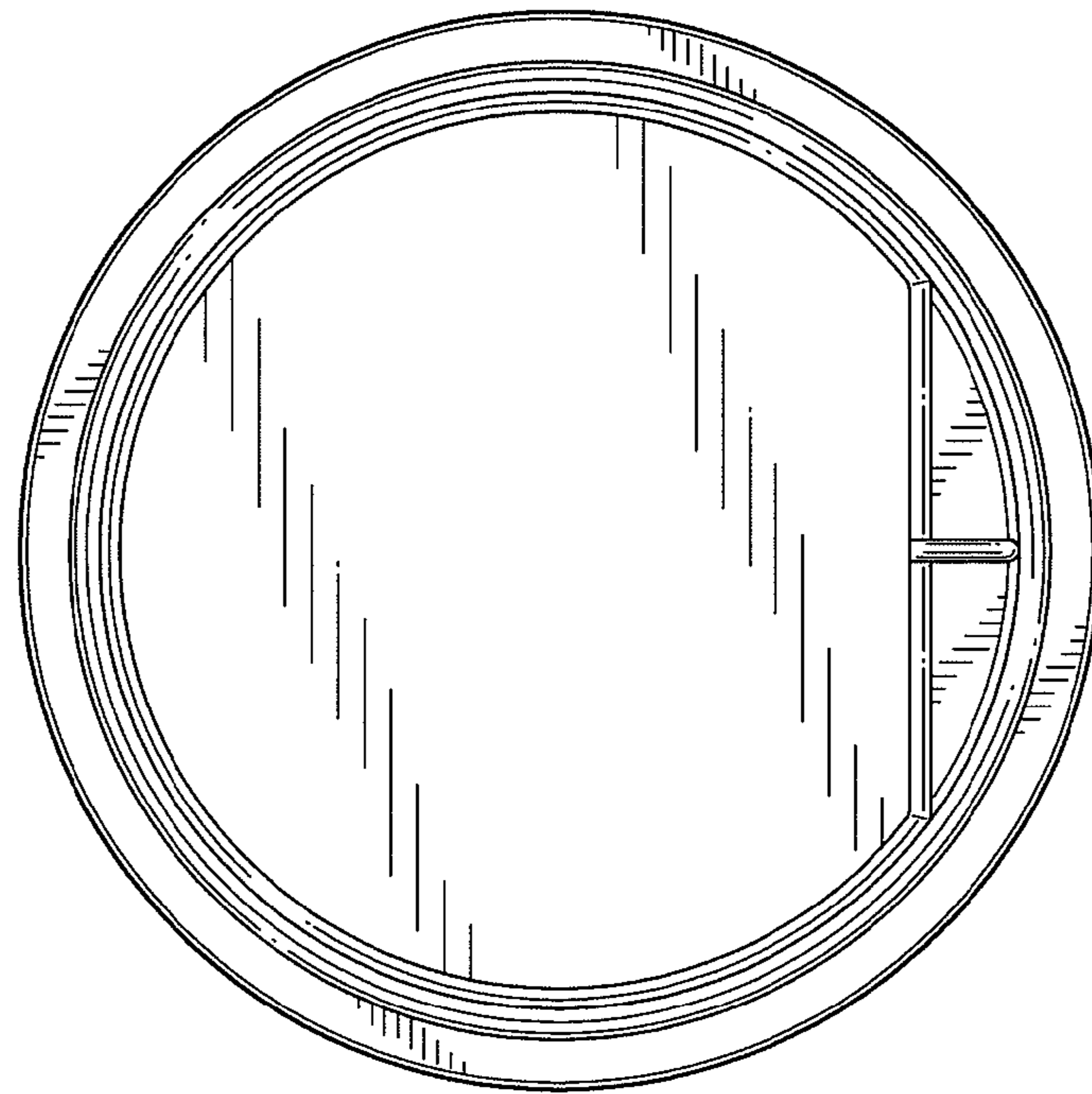


FIG. 7

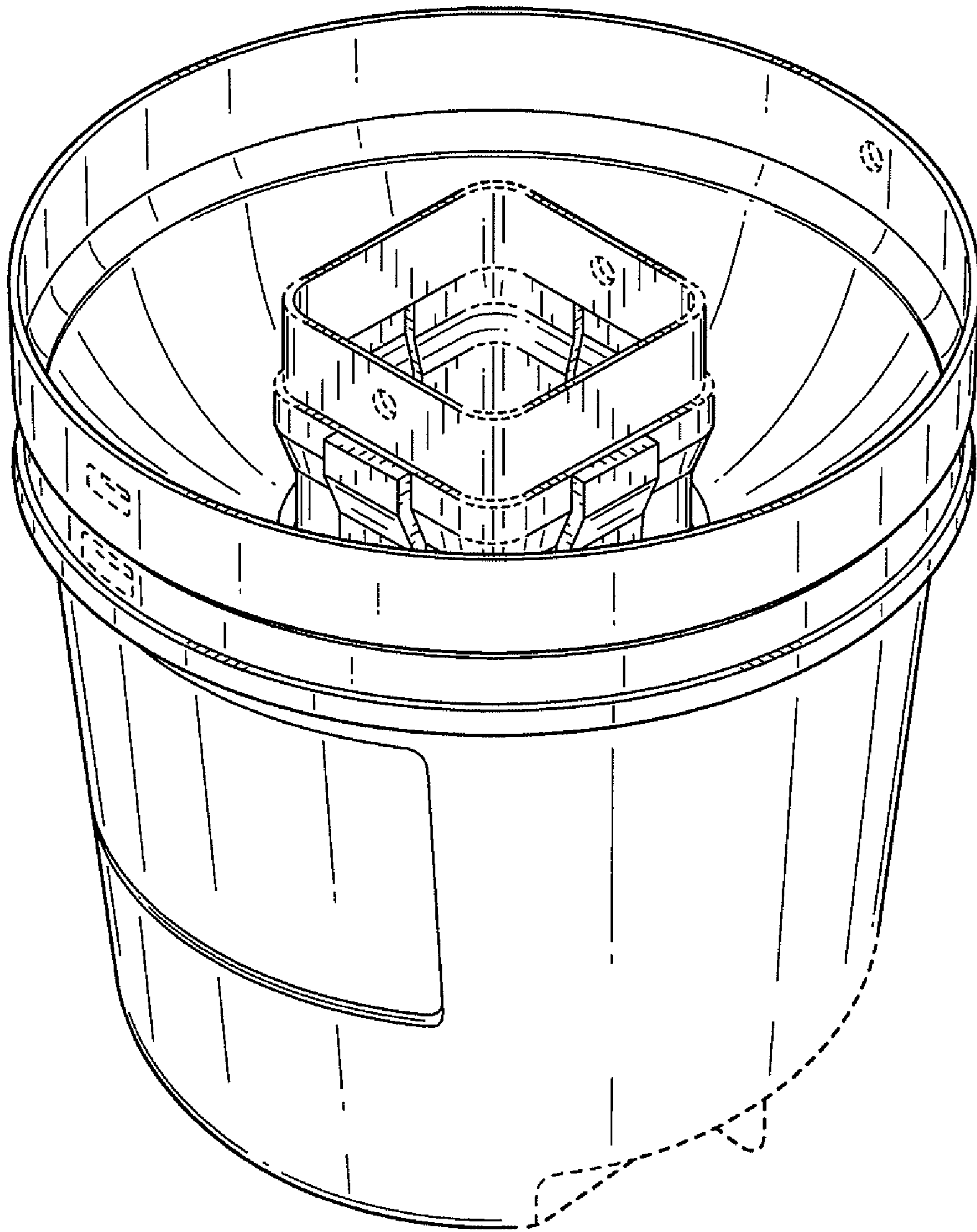


FIG. 8

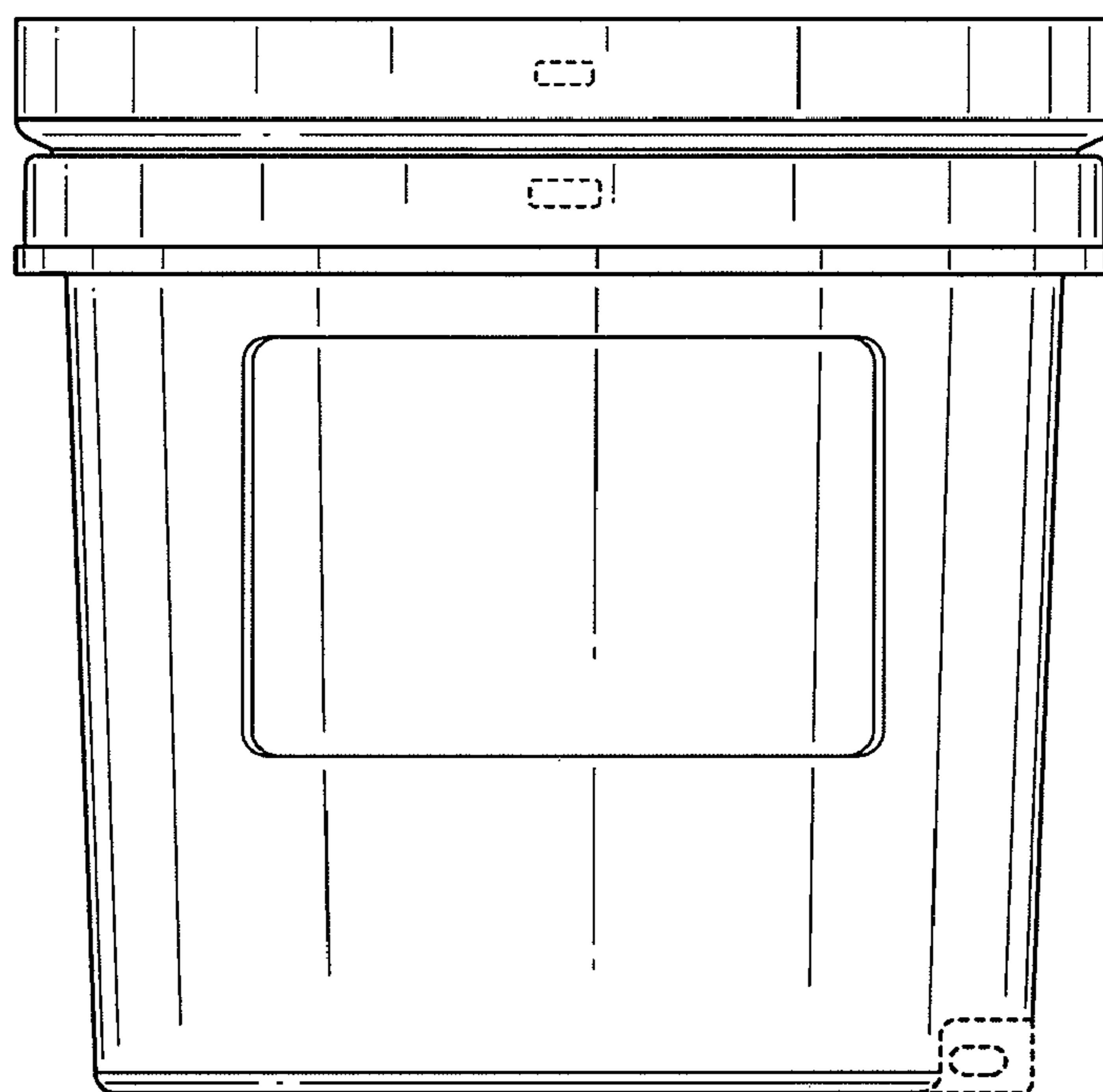


FIG. 9

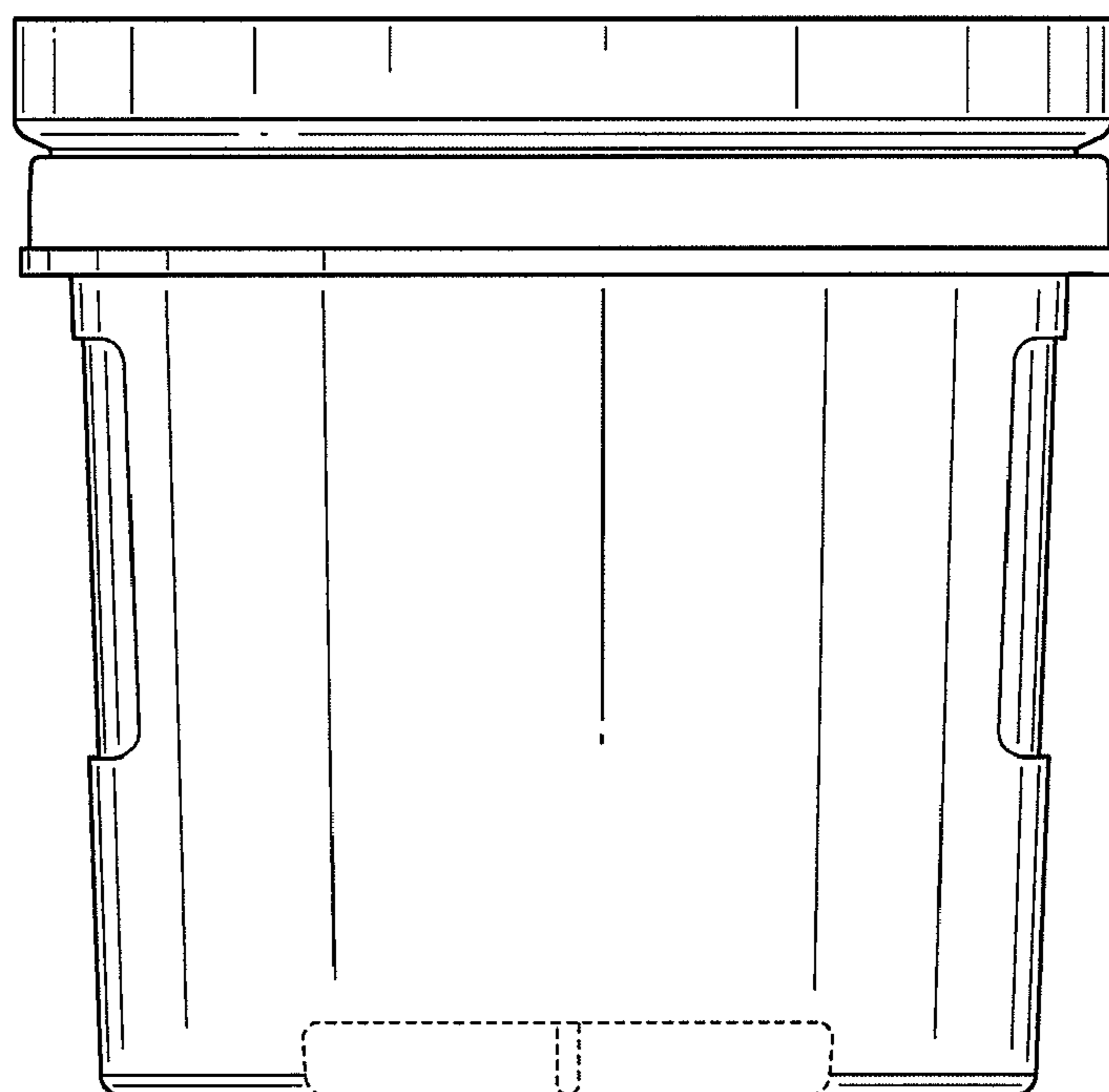


FIG. 10



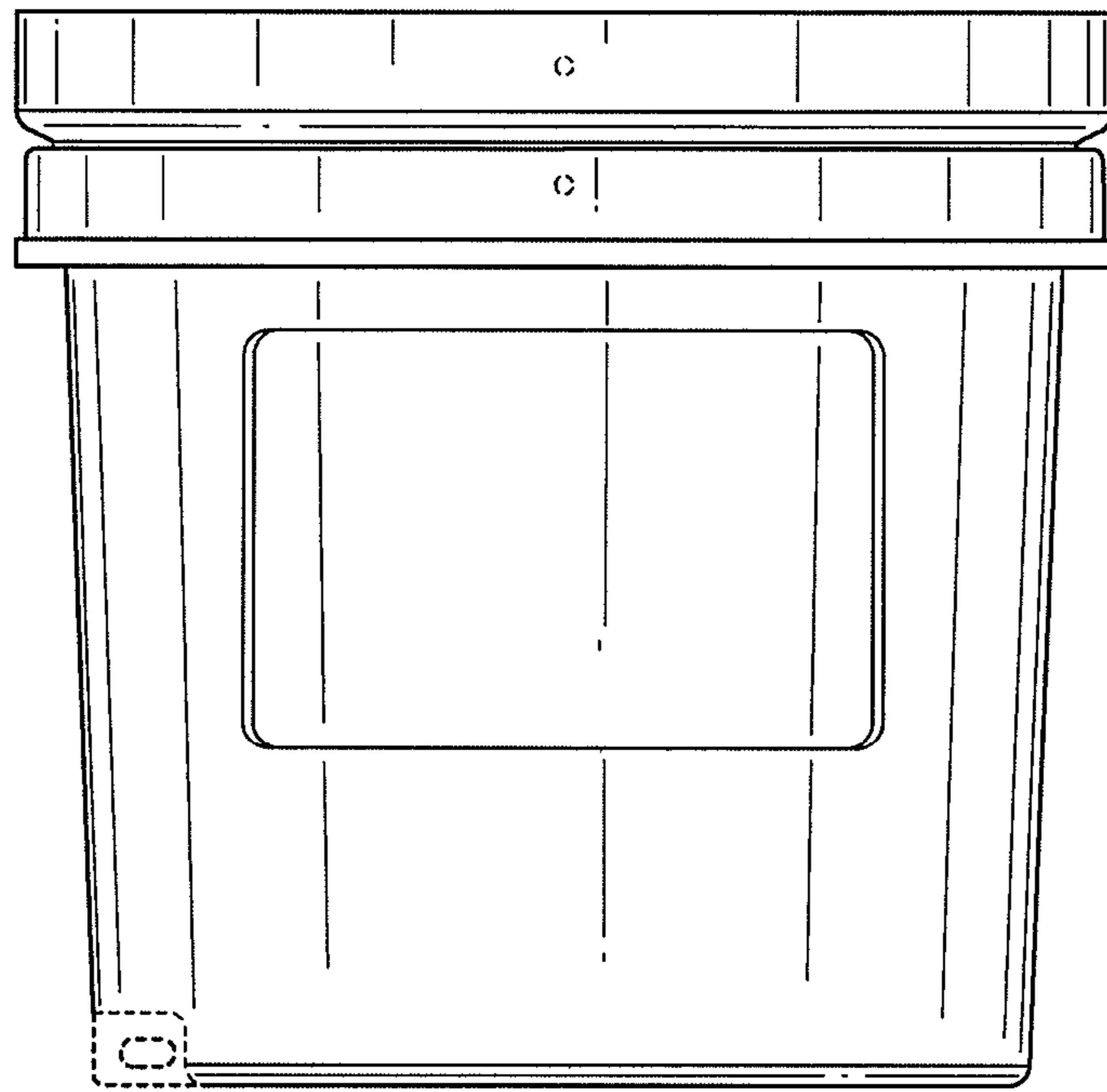


FIG. 11

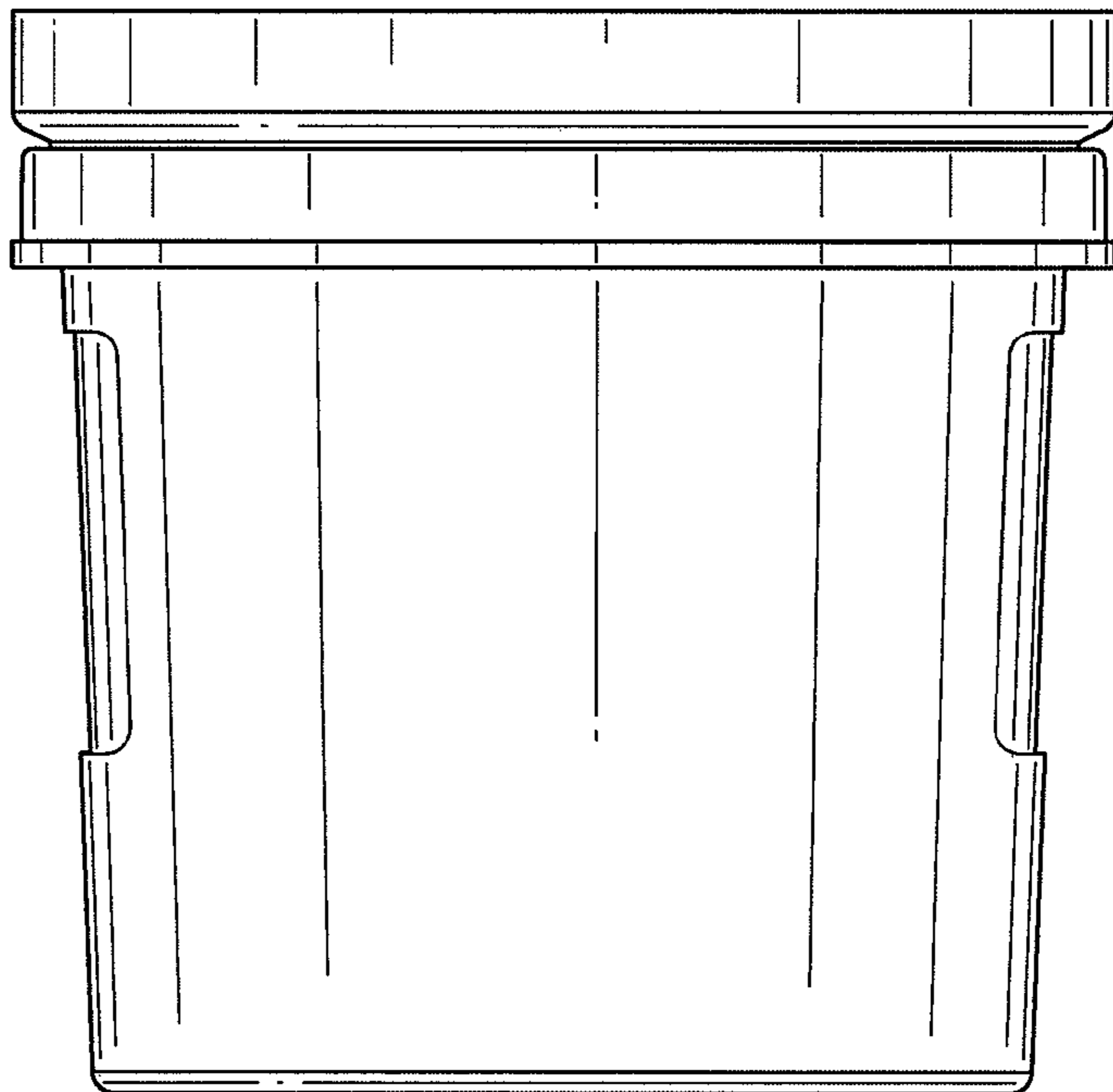


FIG. 12

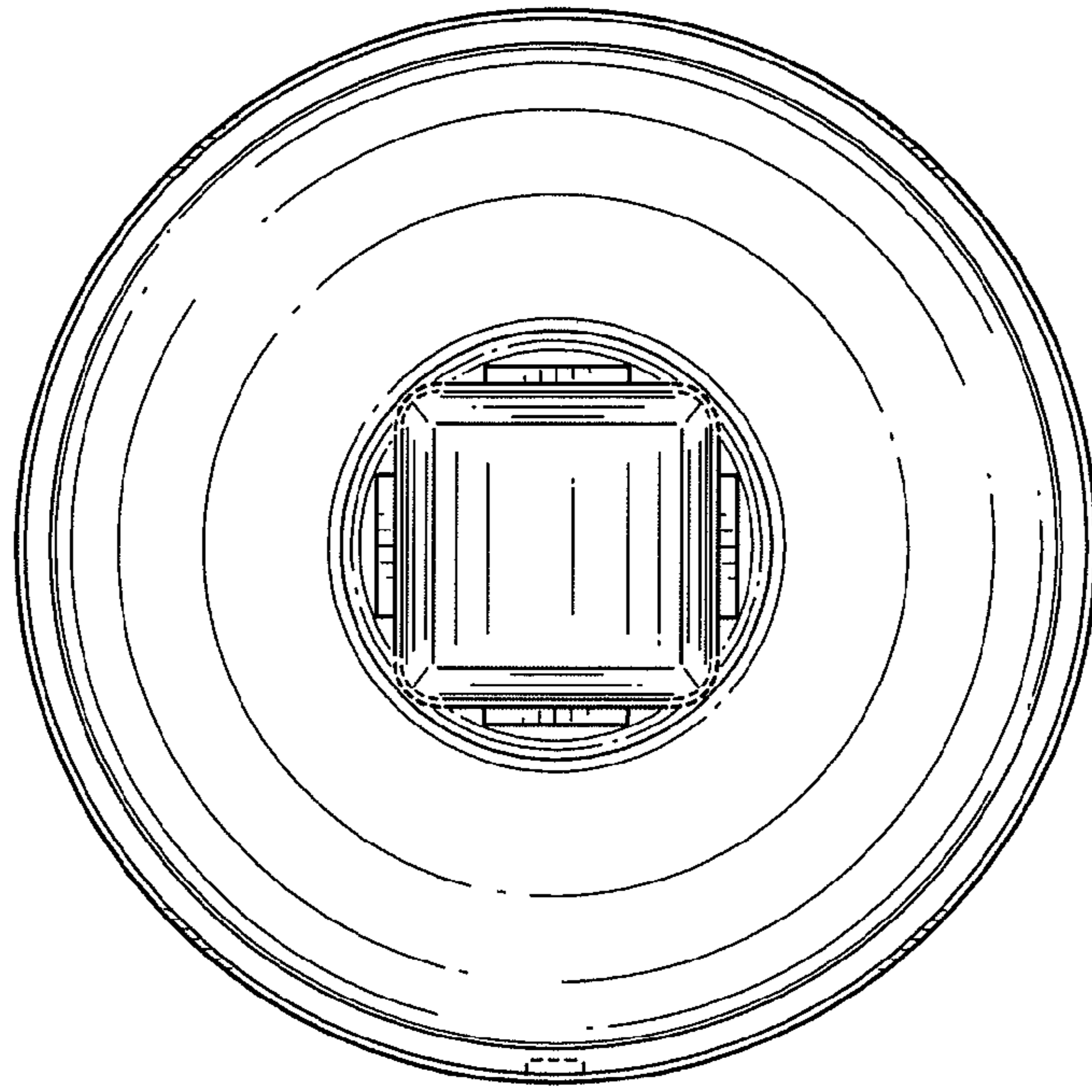


FIG. 13

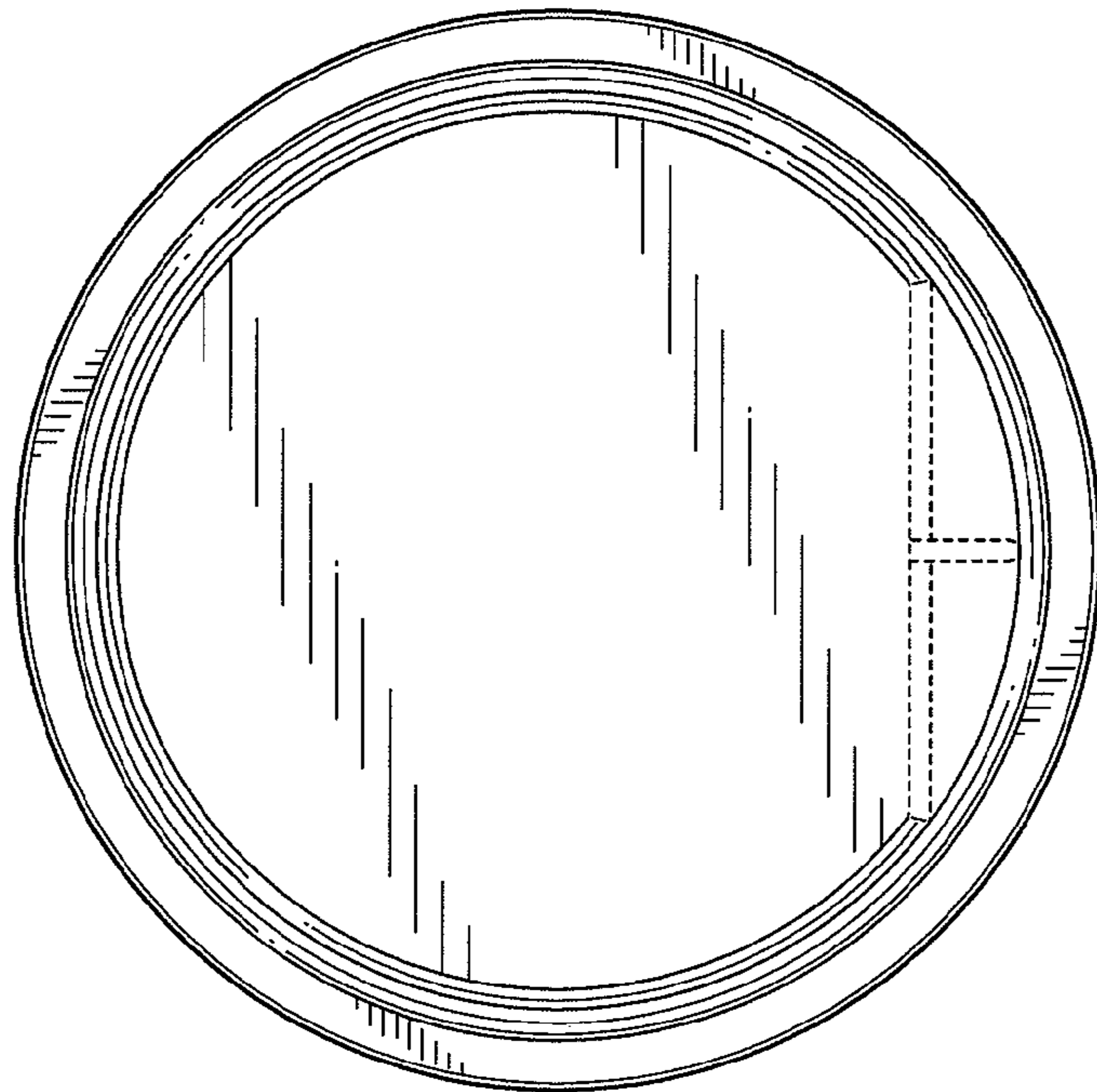


FIG. 14