



US00D616601S

(12) **United States Design Patent**
Gilbert et al.

(10) **Patent No.:** **US D616,601 S**

(45) **Date of Patent:** **** May 25, 2010**

(54) **LIGHT FIXTURE**

(75) Inventors: **Christopher Jon Gilbert**, Moreland Hills, OH (US); **Lawrence Morris Bibi**, Woodcliff Lake, NJ (US); **Min S. Kim**, Jersey City, NJ (US)

(73) Assignee: **Moen Incorporated**, North Olmsted, OH (US)

(**) Term: **14 Years**

(21) Appl. No.: **29/346,843**

(22) Filed: **Nov. 6, 2009**

(51) **LOC (9) Cl.** **26-99**

(52) **U.S. Cl.** **D26/155**

(58) **Field of Classification Search** D26/145, D26/154, 155, 142, 118, 138, 120, 92, 87, D26/71, 67, 60, 62, 63, 68, 70, 72, 80, 81, D26/85, 86, 88, 113, 140, 141, 143, 144, D26/153; D25/126, 127; 52/28, 295; 362/432, 362/443, 800, 431, 153, 153.1, 395, 401, 362/405, 410; D23/238, 239, 240, 241, 242, D23/243, 244, 245, 247, 249, 255
See application file for complete search history.

(56) **References Cited**

U.S. PATENT DOCUMENTS

D41,339 S	5/1911	Nelson	
D79,772 S	10/1929	Warner et al.	
D123,763 S	* 12/1940	Rieland	D26/67
D177,916 S	* 6/1956	Neck et al.	D26/145
D308,730 S	* 6/1990	Nakagawa	D26/107
D383,237 S	* 9/1997	Porter	D26/68
D386,810 S	* 11/1997	Porter et al.	D26/145
D419,714 S	* 1/2000	Diaz-Azcuy	D26/87
D435,135 S	* 12/2000	Dolan	D26/87
D440,007 S	* 4/2001	Pham	D26/142

D444,260 S	6/2001	Dolan	
D450,875 S	* 11/2001	Yang	D26/87
D456,194 S	4/2002	Hoernig	
D464,459 S	* 10/2002	De'Armond et al.	D26/87

(Continued)

Primary Examiner—Cathron C Brooks

Assistant Examiner—Kevin K Rudzinski

(74) *Attorney, Agent, or Firm*—Calfee, Halter & Griswold LLP

(57) **CLAIM**

The ornamental design for a light fixture, as shown and described.

DESCRIPTION

FIG. 1 is a perspective view of a light fixture of the new design;

FIG. 2 is a front elevational view of the light fixture;

FIG. 3 is a rear elevational view of the light fixture;

FIG. 4 is a left side elevational view of the light fixture, the right side elevational view being a mirror image thereof;

FIG. 5 is a top plan view of the light fixture;

FIG. 6 is a bottom plan view of the light fixture;

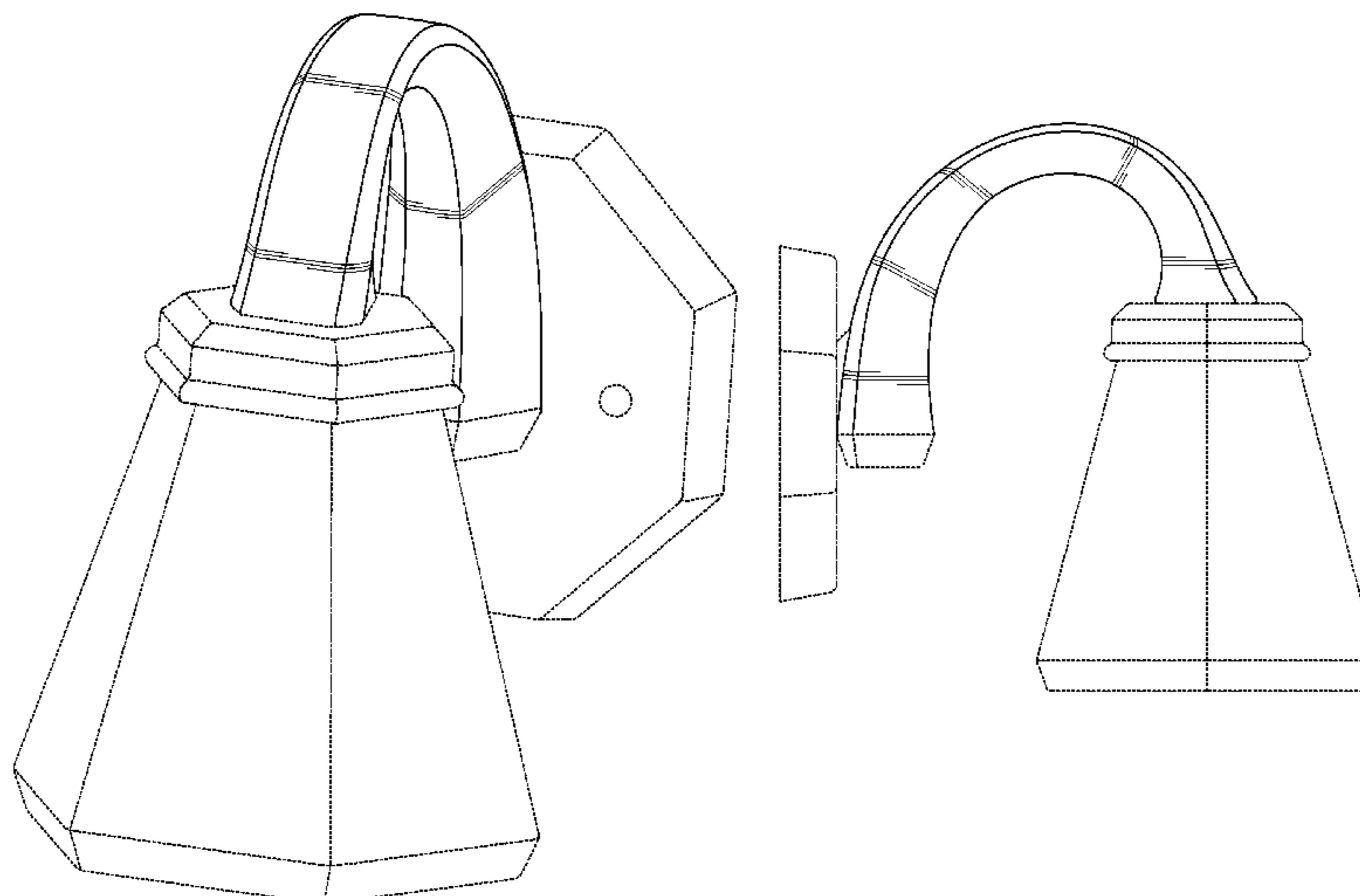
FIG. 7 is a front elevational view of the light fixture showing an additional light fixture in broken lines;

FIG. 8 is a front elevational view of the light fixture showing two additional light fixtures in broken lines; and,

FIG. 9 is a front elevational view of the light fixture showing three additional light fixtures in broken lines.

The broken lines shown in the drawings are included to illustrate environmental structures and form no part of the claimed design.

1 Claim, 7 Drawing Sheets



US D616,601 S

Page 2

U.S. PATENT DOCUMENTS

D465,011 S *	10/2002	Singtoroj et al.	D23/255	D531,342 S *	10/2006	Kauffman et al.	D26/68
D468,476 S *	1/2003	Dolan	D26/92	D536,472 S	2/2007	Tsai	
D487,530 S *	3/2004	Hsu	D26/92	D539,461 S	3/2007	Deron	
D488,540 S *	4/2004	Ouyoung	D23/255	D549,305 S *	8/2007	Sedwick	D23/255
D515,233 S *	2/2006	Miranda	D26/87	D551,380 S	9/2007	De'Armond	
D525,682 S *	7/2006	Gilbert	D23/255	D558,383 S *	12/2007	Bickler et al.	D26/87
				D581,027 S *	11/2008	Dolan	D23/255

* cited by examiner

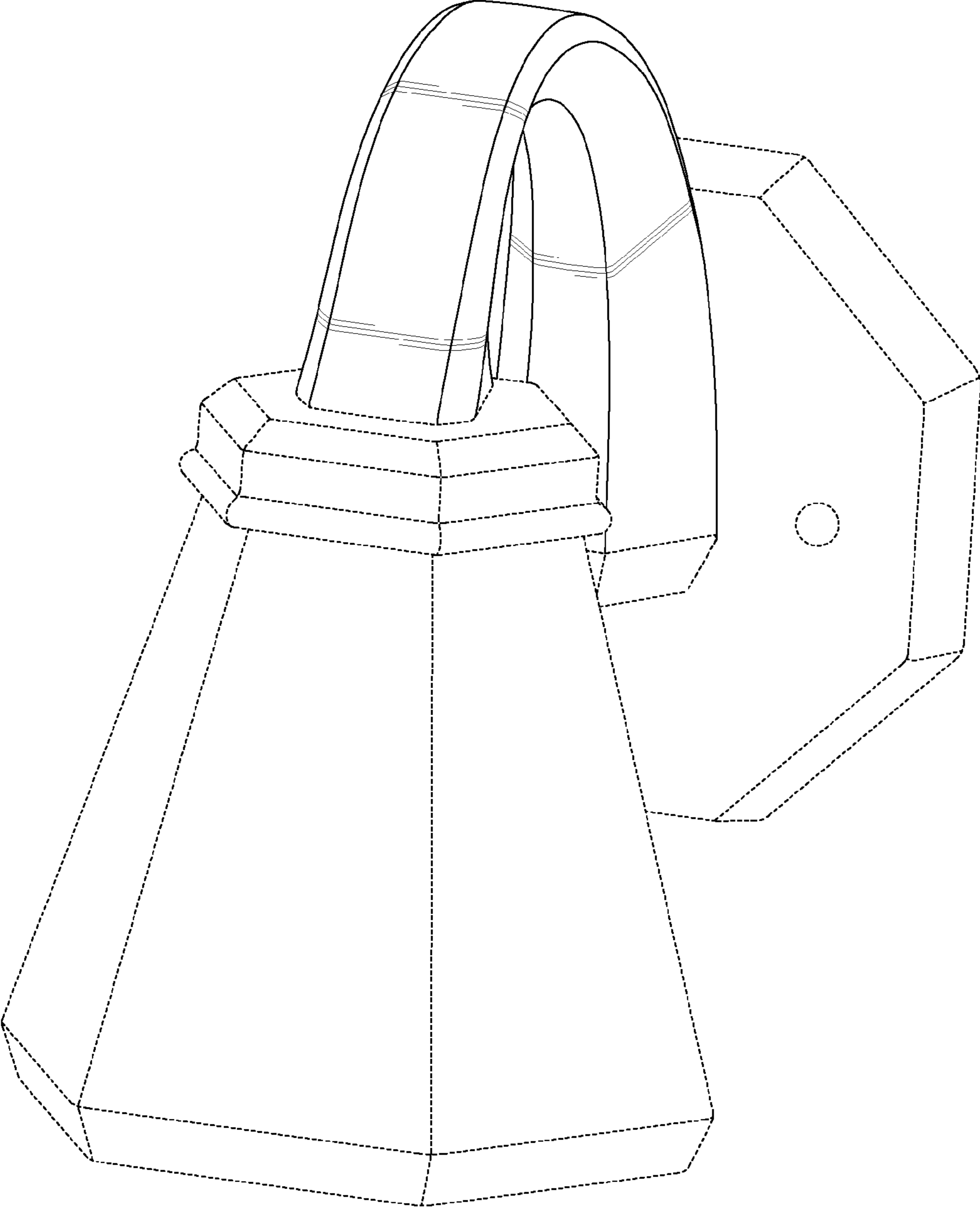


FIG. 1

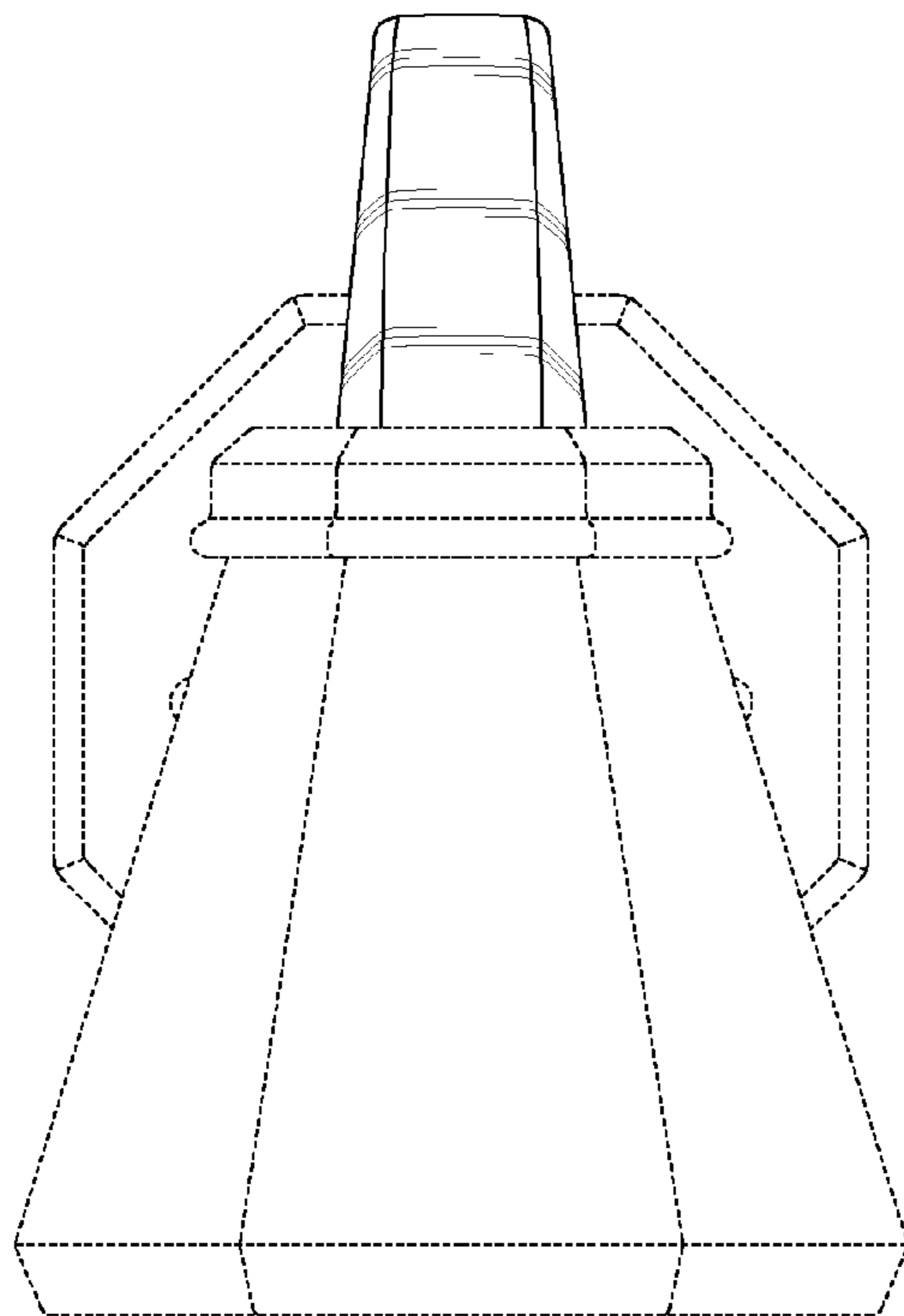


FIG. 2

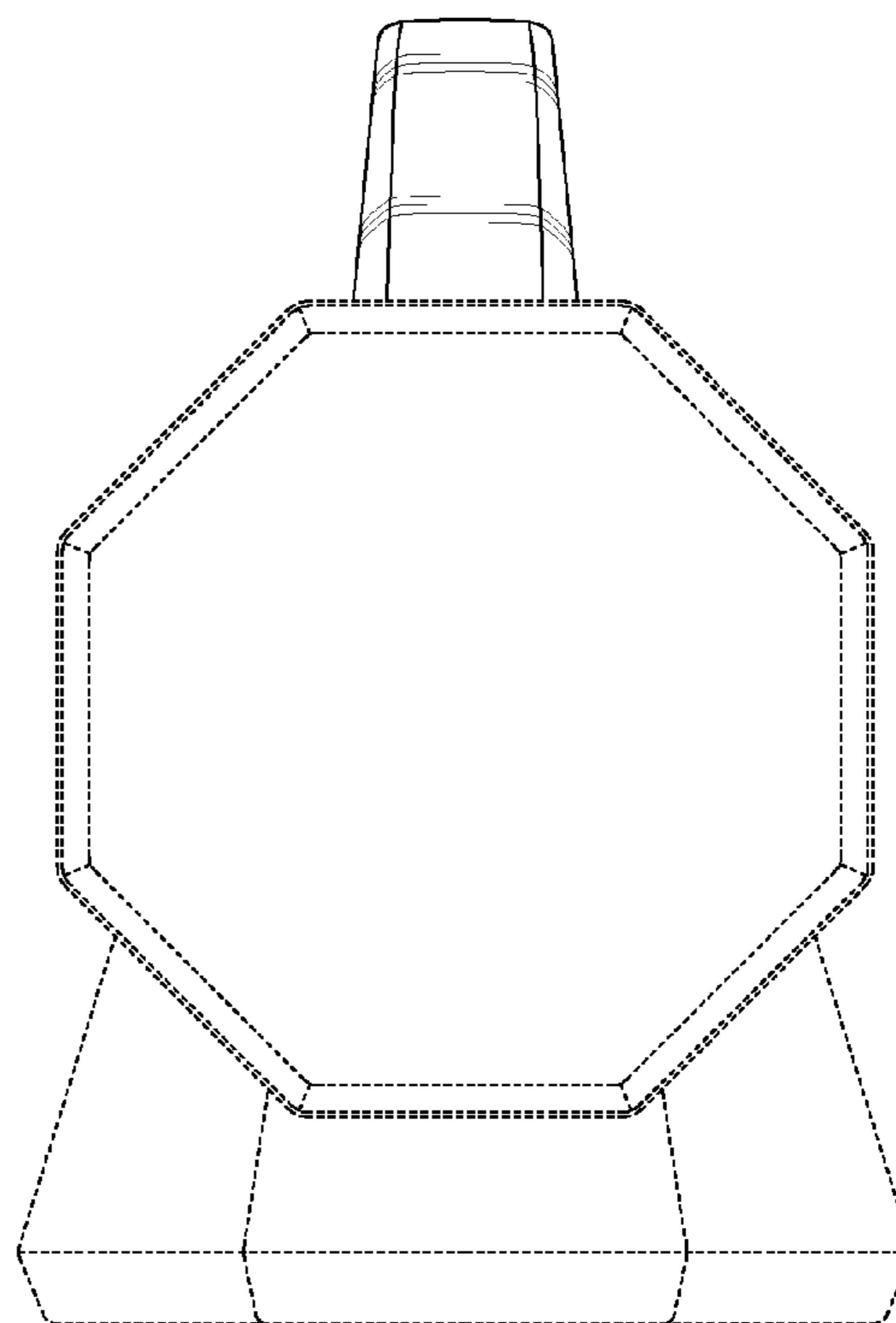


FIG. 3

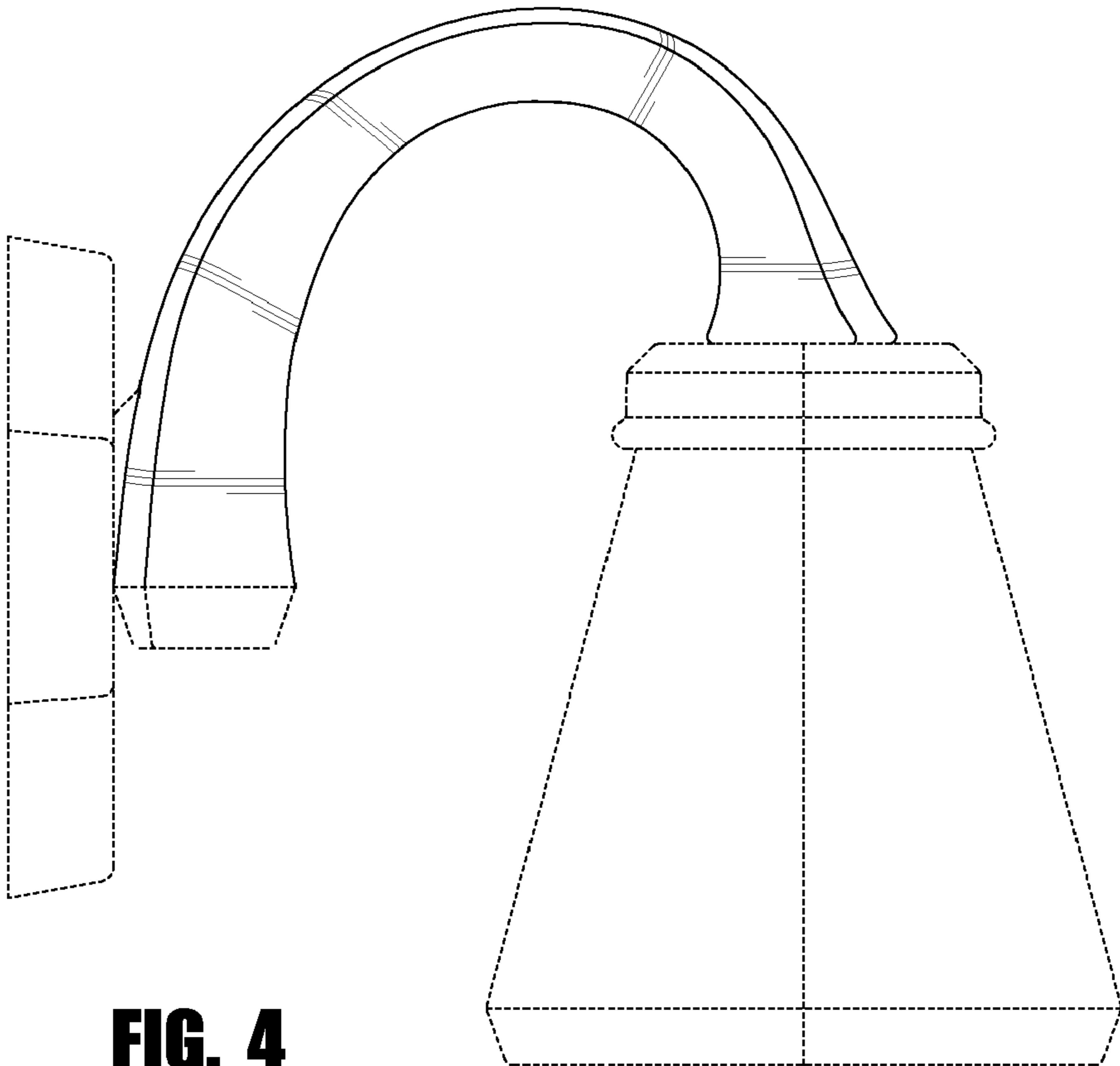


FIG. 4

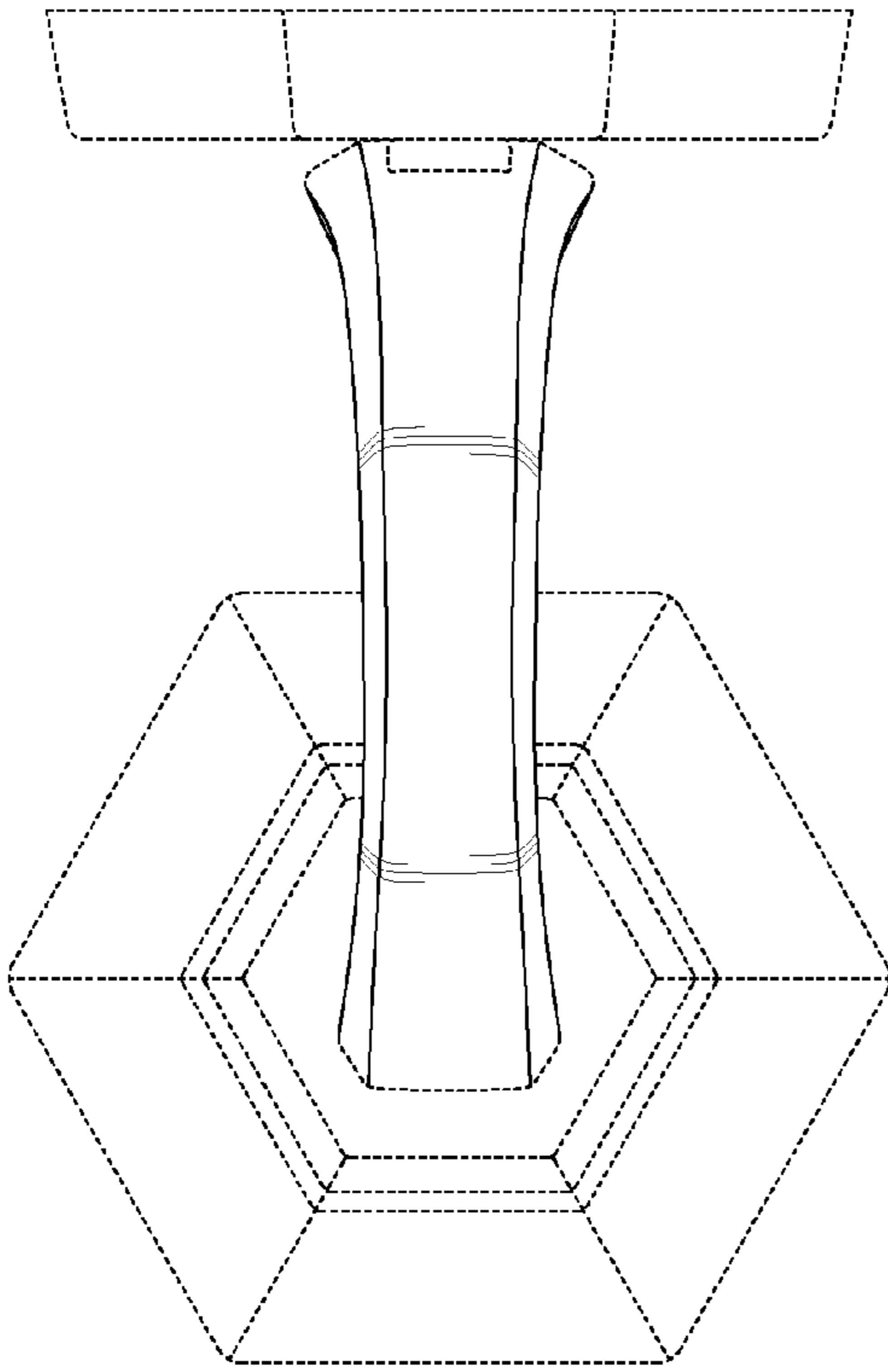


FIG. 5

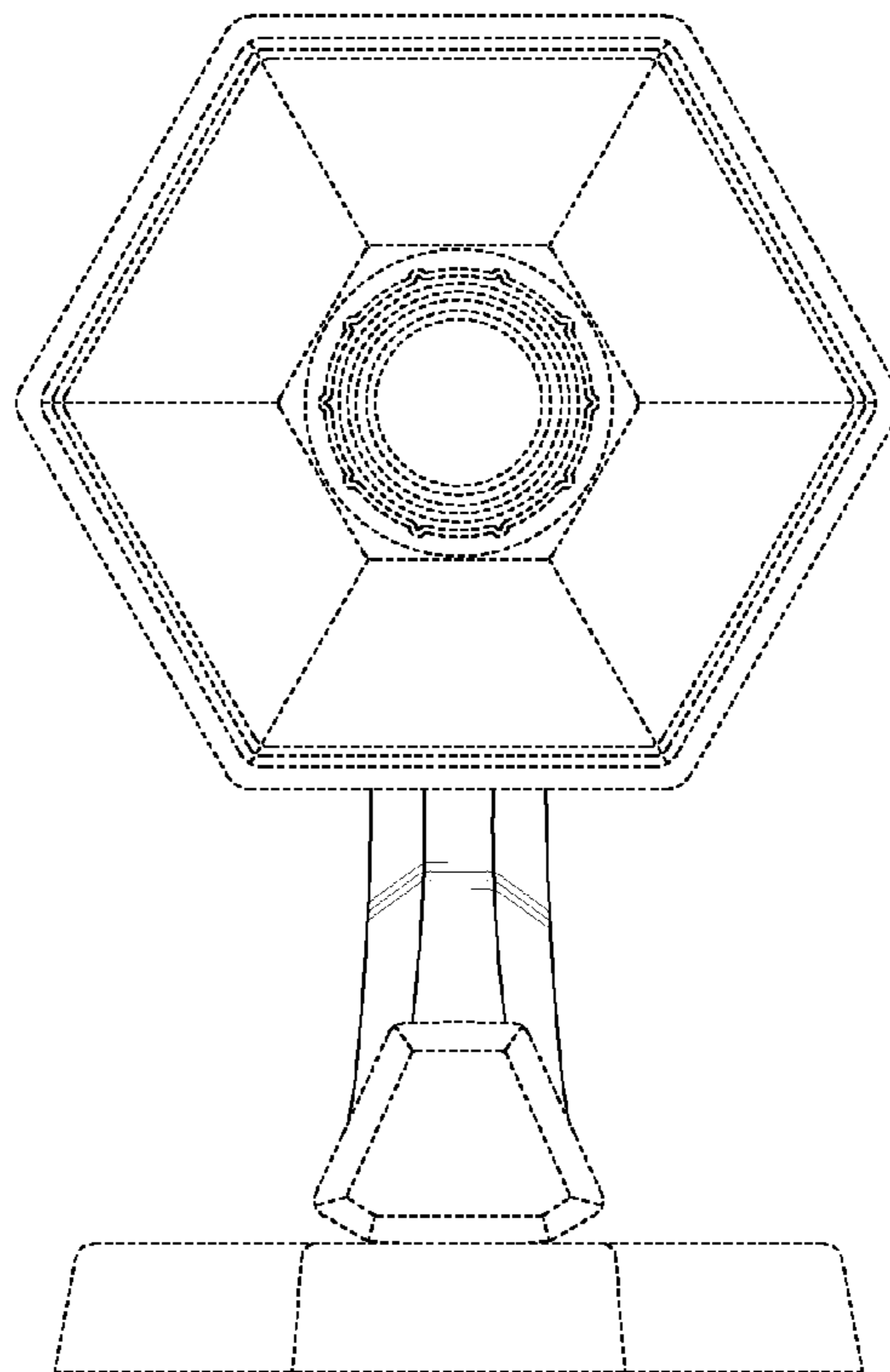


FIG. 6

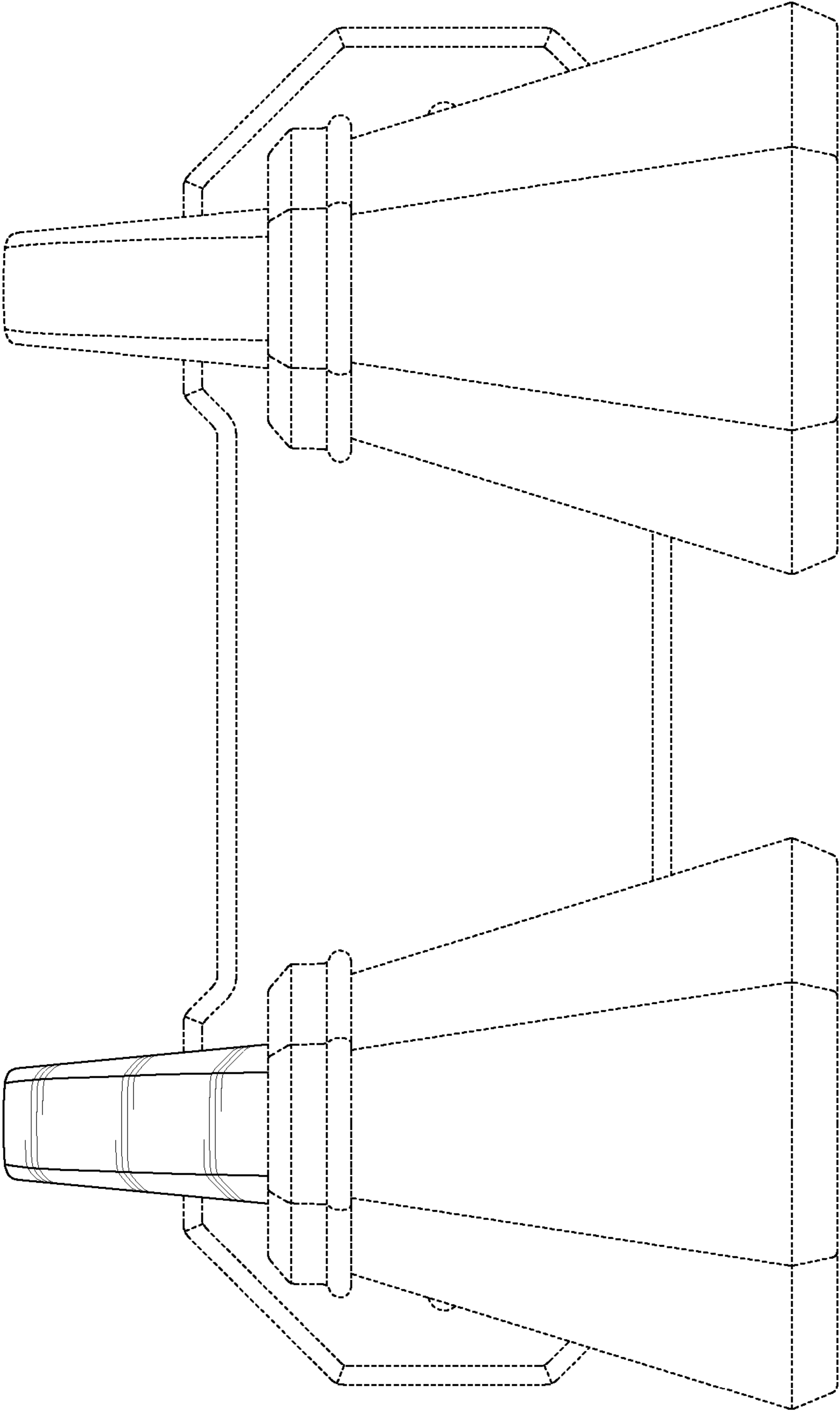


FIG. 7

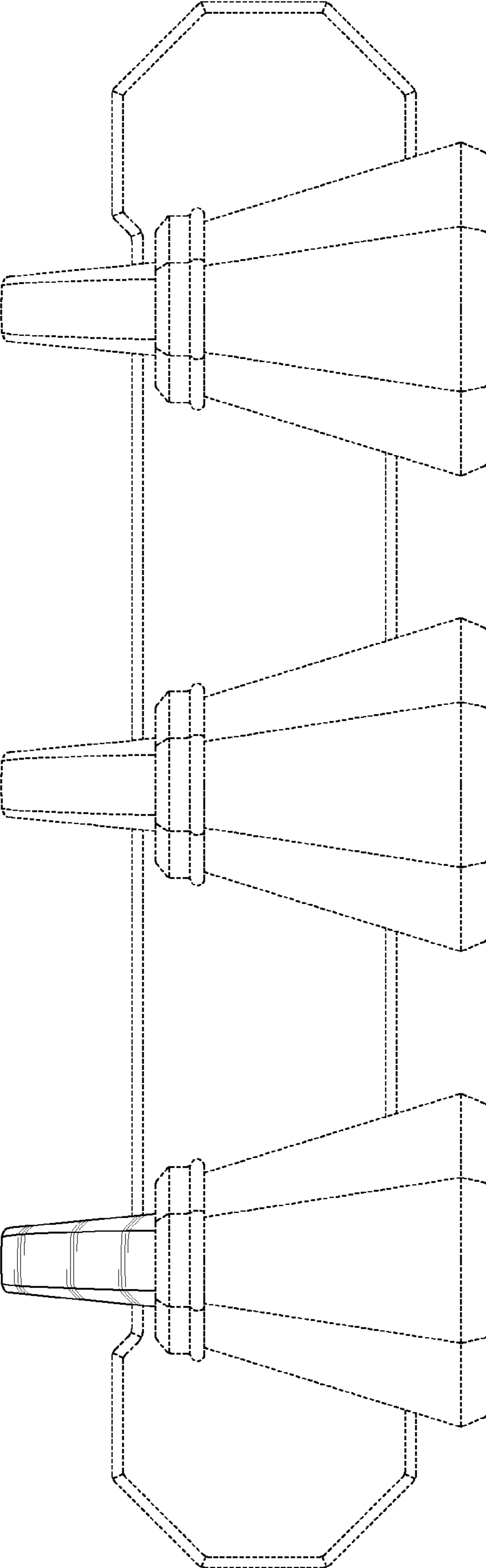


FIG. 8

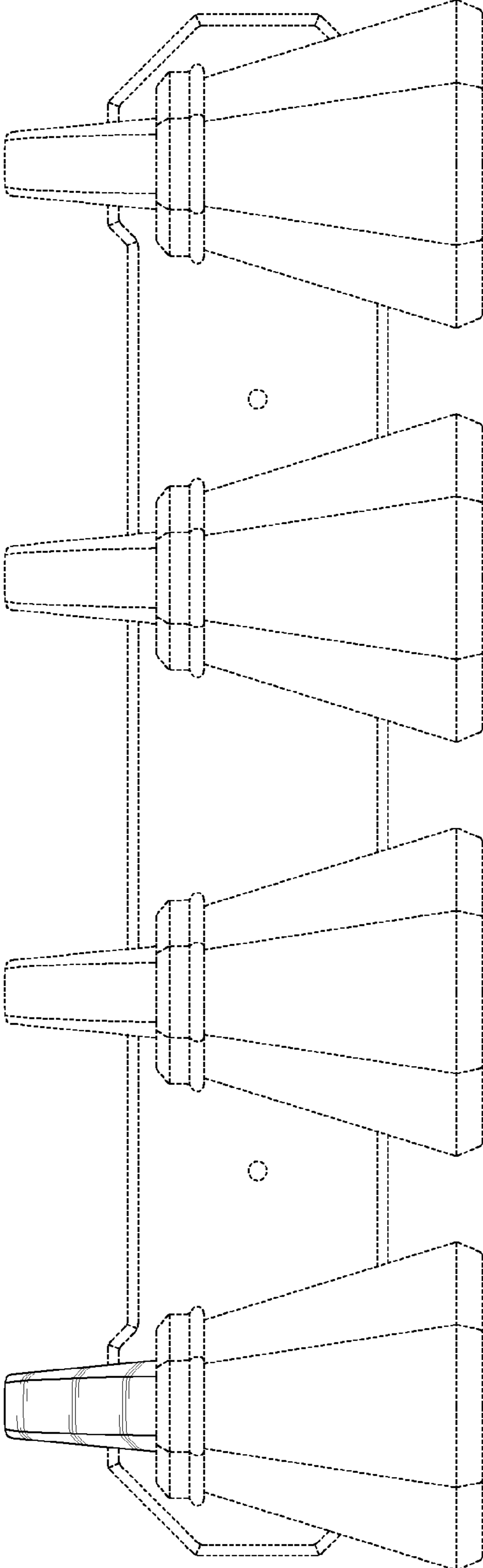


FIG. 9