



US00D616599S

(12) **United States Design Patent**
Gilbert et al.

(10) **Patent No.:** **US D616,599 S**
(45) **Date of Patent:** **** May 25, 2010**

(54) **LIGHT FIXTURE**

(75) Inventors: **Christopher Jon Gilbert**, Moreland Hills, OH (US); **Lawrence Morris Bibi**, Woodcliff Lake, NJ (US); **Min S. Kim**, Jersey City, NJ (US)

(73) Assignee: **Moen Incorporated**, North Olmsted, OH (US)

(**) Term: **14 Years**

(21) Appl. No.: **29/346,842**

(22) Filed: **Nov. 6, 2009**

(51) **LOC (9) Cl.** **26-99**

(52) **U.S. Cl.** **D26/154**

(58) **Field of Classification Search** D26/145,
D26/154, 155, 142, 118, 138, 120, 92, 87,
D26/71, 67, 60, 62, 63, 68, 70, 72, 80, 81,
D26/85, 86, 88, 113, 140, 141, 143, 144,
D26/153; D25/126, 127; 52/28, 295; 362/432,
362/443, 800, 431, 153, 153.1, 395, 401,
362/405, 410; D23/238, 239, 240, 241, 242,
D23/243, 244, 245, 247, 249, 255
See application file for complete search history.

(56) **References Cited**

U.S. PATENT DOCUMENTS

D64,522 S	4/1924	Wolter	
D261,559 S	10/1981	Palka et al.	
4,434,455 A *	2/1984	Merritt	362/307
D356,383 S	3/1995	Pickett	
D356,385 S	3/1995	Pickett	
D367,936 S	3/1996	Kay	
D367,937 S *	3/1996	Dolan	D26/88
D382,079 S *	8/1997	Porter	D26/87
D383,237 S *	9/1997	Porter	D26/68
D387,463 S	12/1997	Dolan	
D389,269 S *	1/1998	Porter	D26/118
D397,487 S	8/1998	Hsu	
D449,403 S	10/2001	Yang	
D464,459 S *	10/2002	De'Armond et al.	D26/87

D487,530 S *	3/2004	Hsu	D26/92
D501,572 S	2/2005	Lee	
D514,730 S	2/2006	Lo	
D515,233 S *	2/2006	Miranda	D26/87

(Continued)

Primary Examiner—Cathron C Brooks

Assistant Examiner—Kevin K Rudzinski

(74) *Attorney, Agent, or Firm*—Calfee, Halter & Griswold LLP

(57) **CLAIM**

The ornamental design for a light fixture, as shown and described.

DESCRIPTION

FIG. 1 is a perspective view of a light fixture of the new design;

FIG. 2 is a front elevational view of the light fixture;

FIG. 3 is a left side elevational view of the light fixture, the right side elevational view being a mirror image thereof;

FIG. 4 is a top plan view of the light fixture;

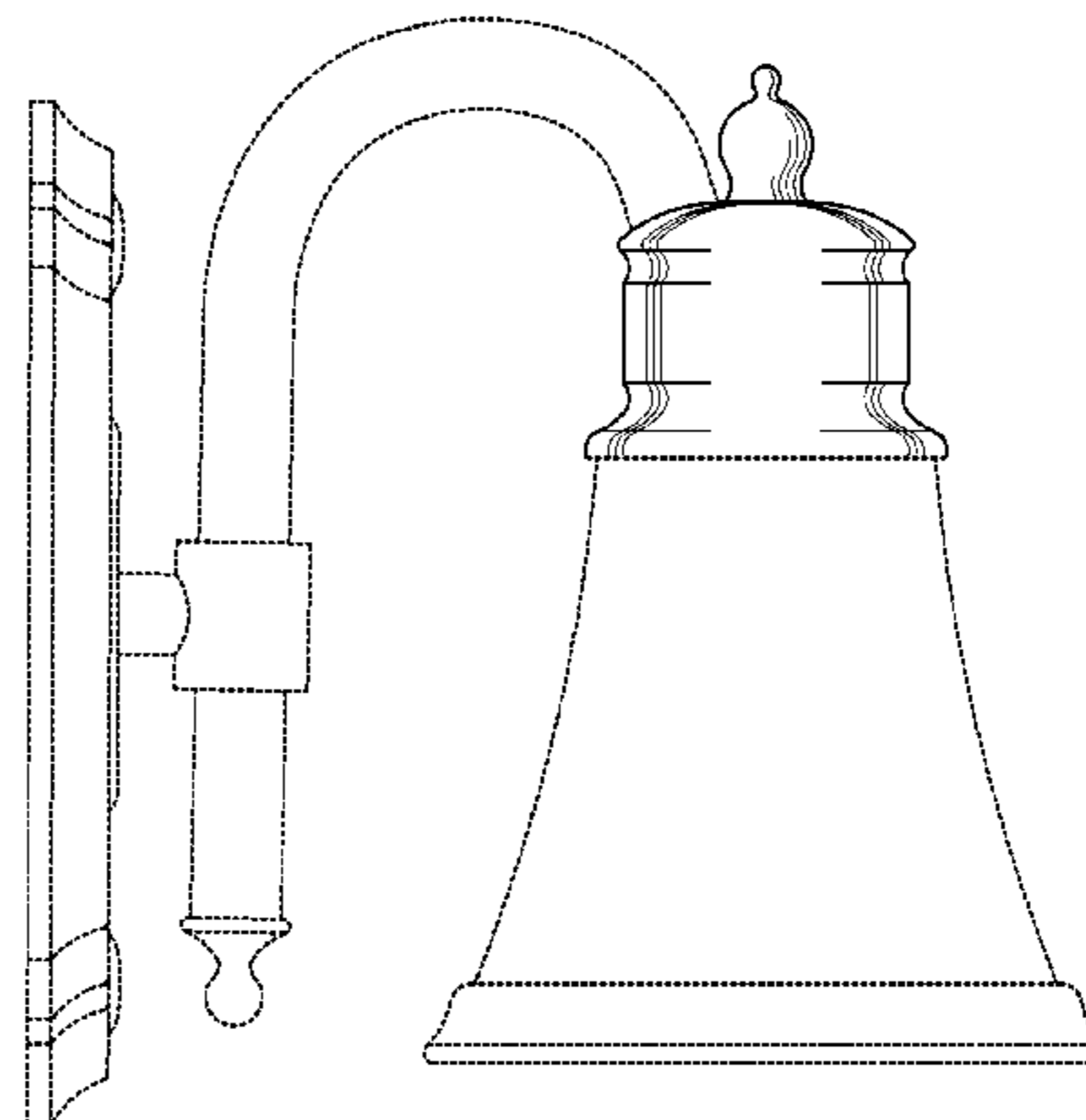
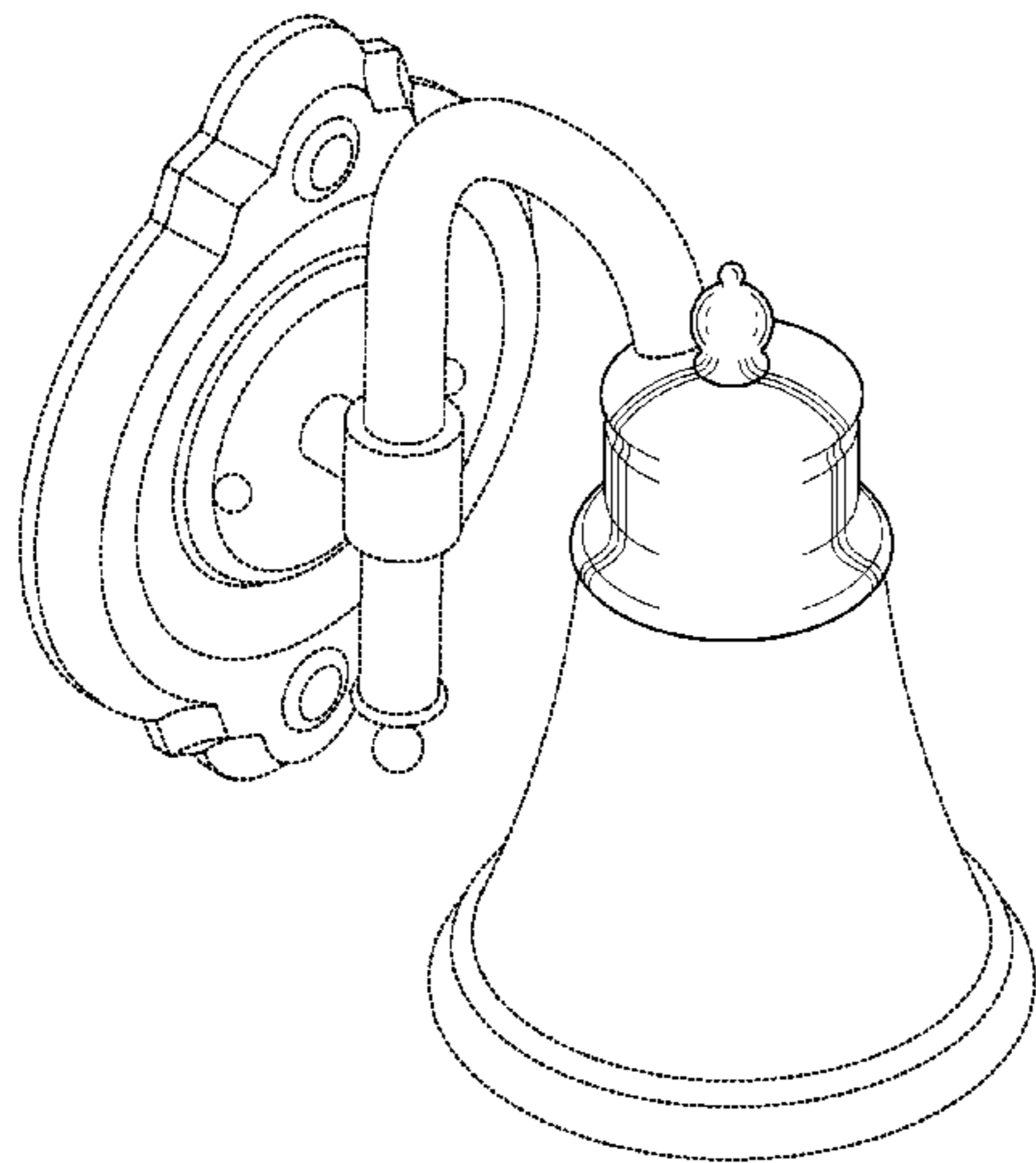
FIG. 5 is a front elevational view of the light fixture showing an additional light fixture in broken lines;

FIG. 6 is a front elevational view of the light fixture showing two additional light fixtures in broken lines; and,

FIG. 7 is a front elevational view of the light fixture showing three additional light fixtures in broken lines.

The broken lines shown in the drawings are included to illustrate environmental structures and form no part of the claimed design.

1 Claim, 6 Drawing Sheets



US D616,599 S

Page 2

U.S. PATENT DOCUMENTS

D536,471 S	2/2007	Matons		D551,380 S	9/2007	De'Armond	
D536,472 S *	2/2007	Tsai	D26/87	D558,383 S *	12/2007	Bickler et al.	D26/87
D539,462 S	3/2007	Dolan		D573,749 S	7/2008	Hsu	
D550,890 S	9/2007	Wang		7,510,307 B2 *	3/2009	Haddad	362/309

* cited by examiner

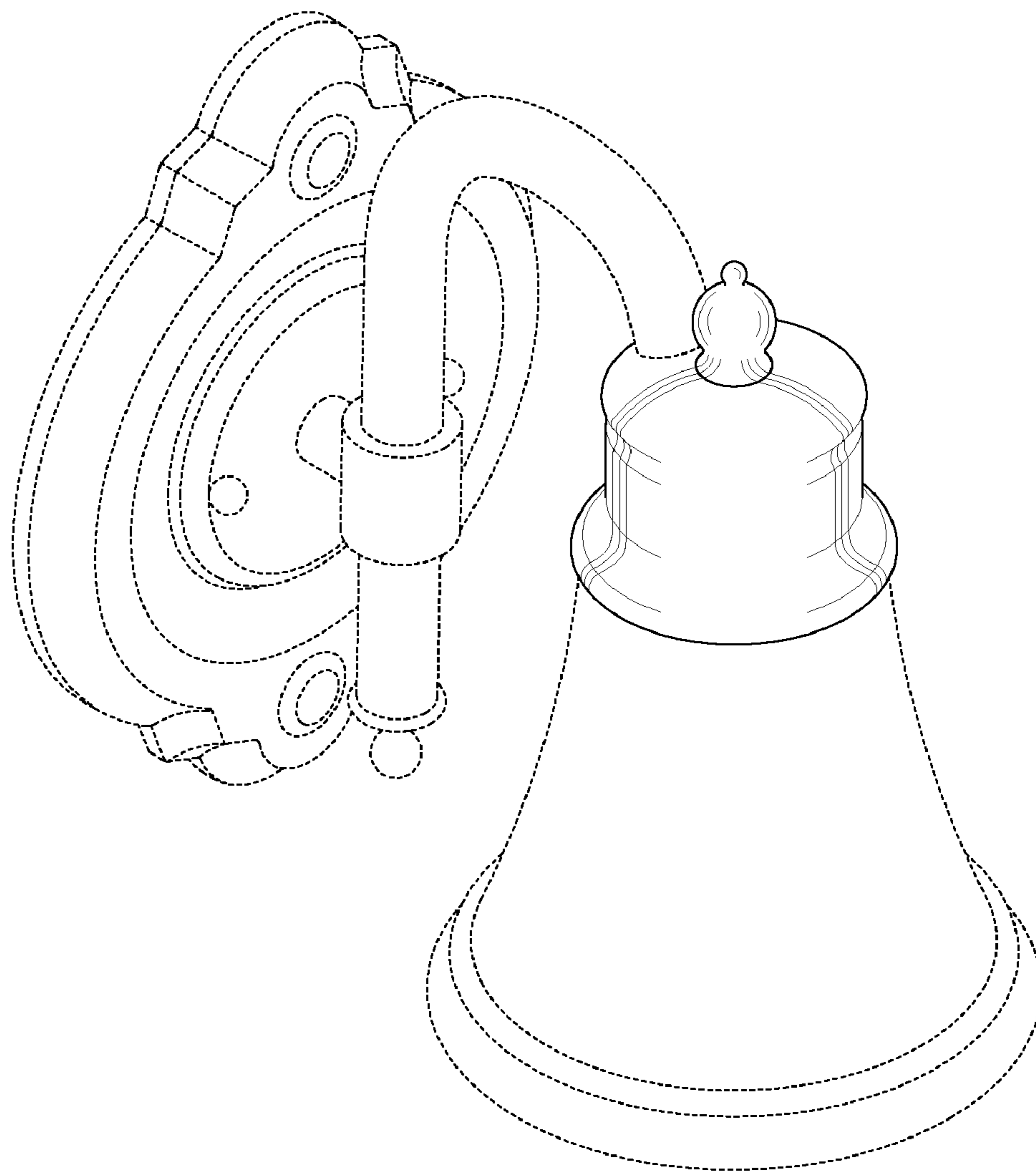


FIG. 1

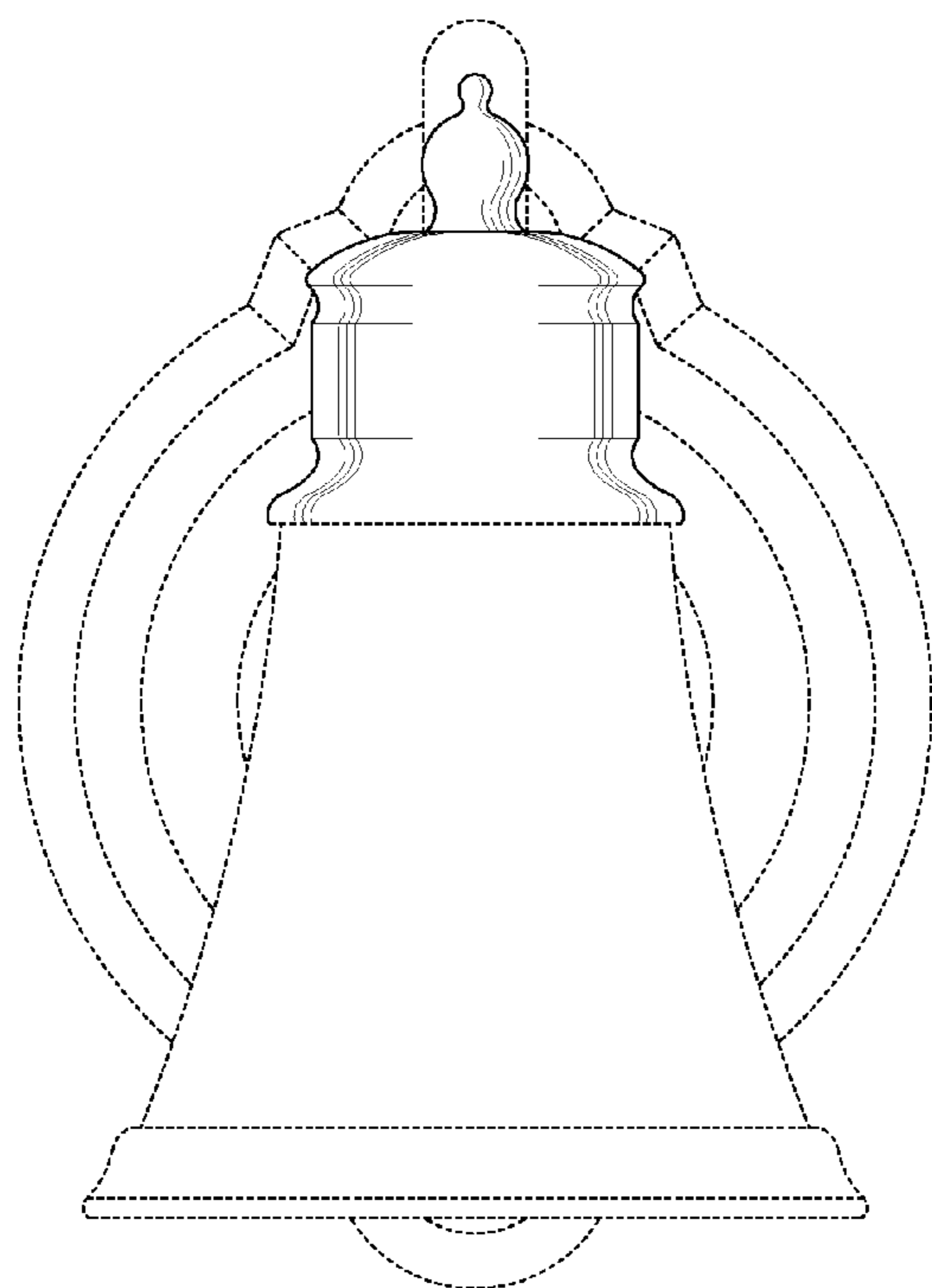
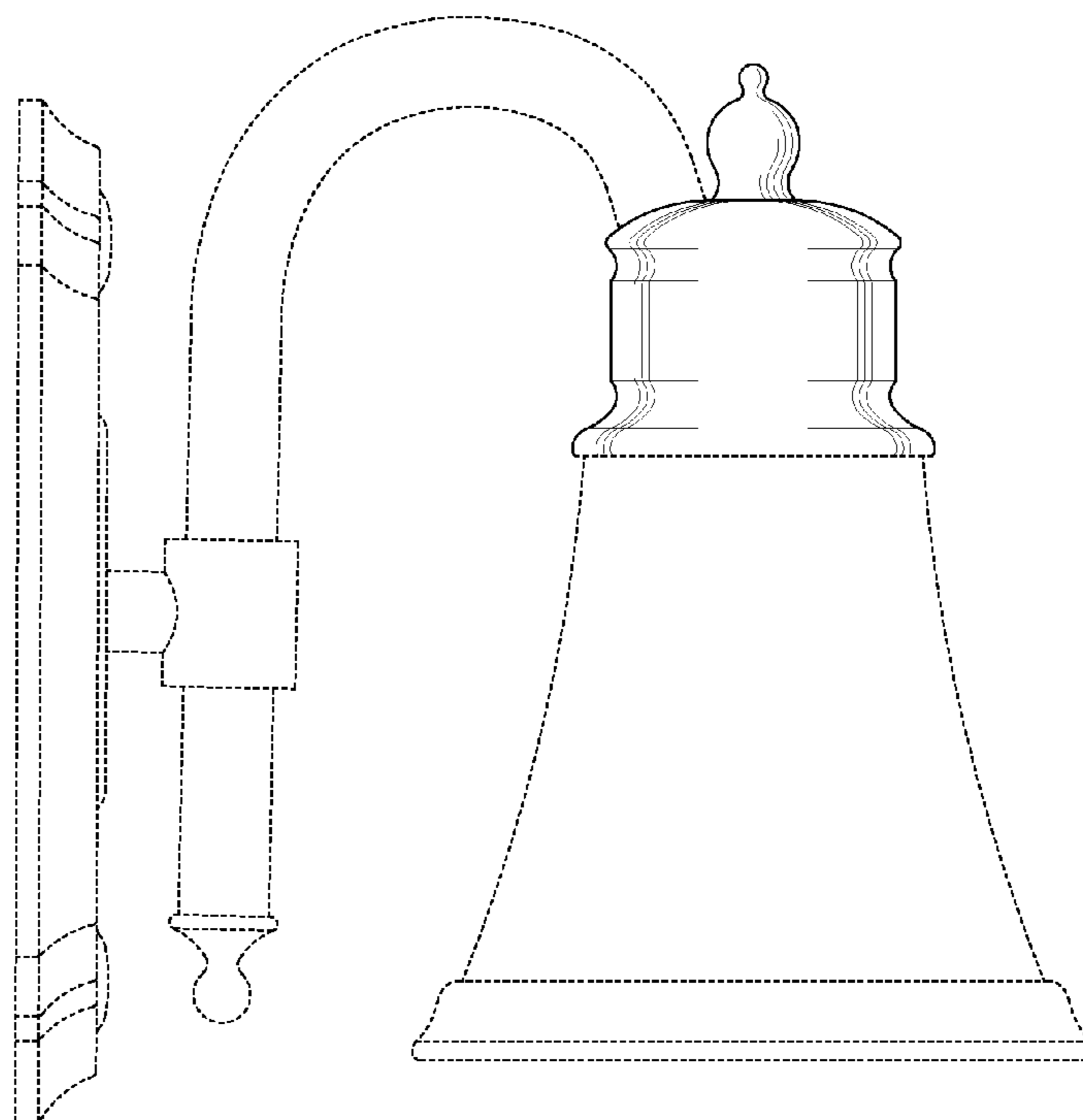


FIG. 2

FIG. 3



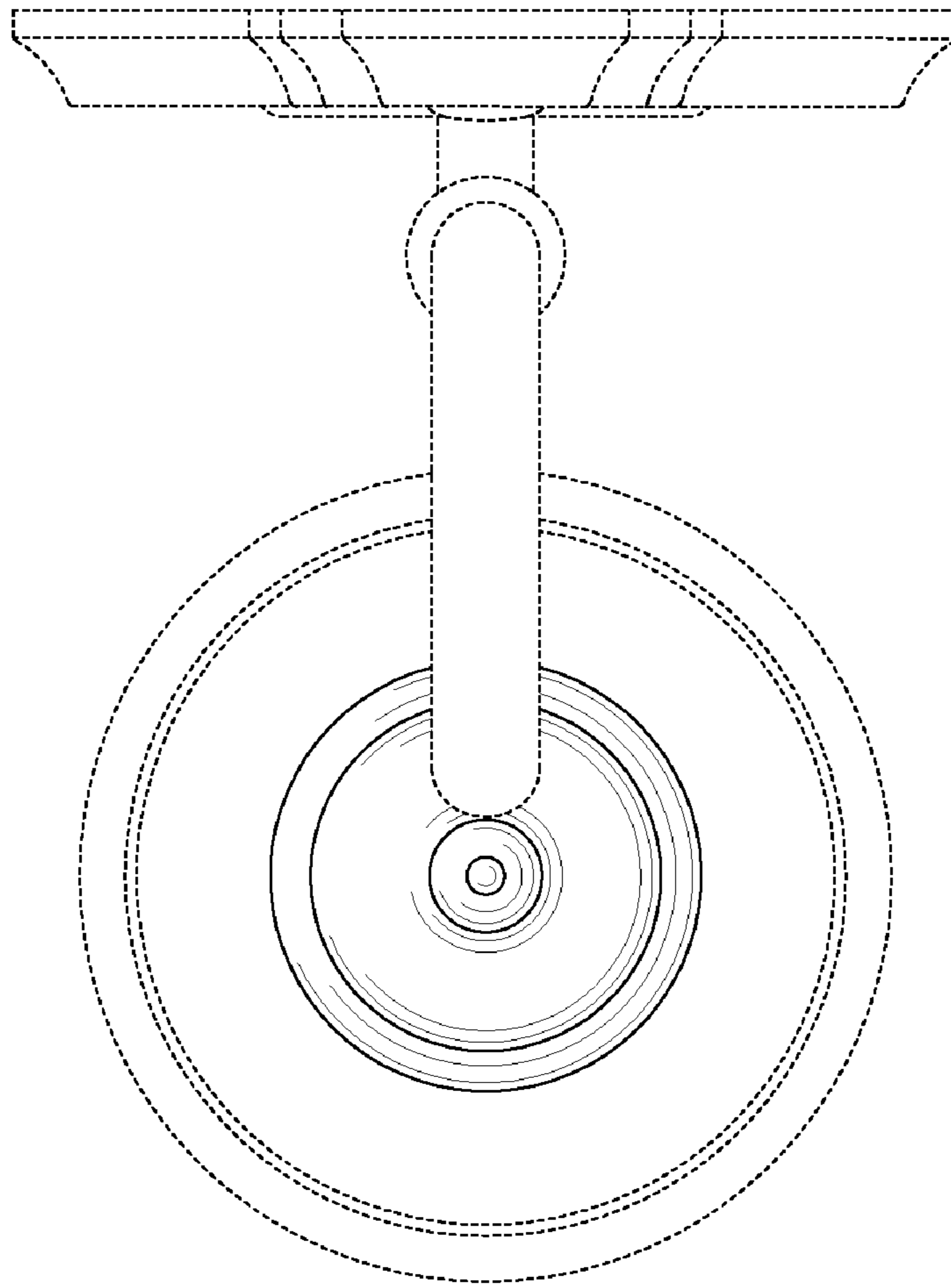


FIG. 4

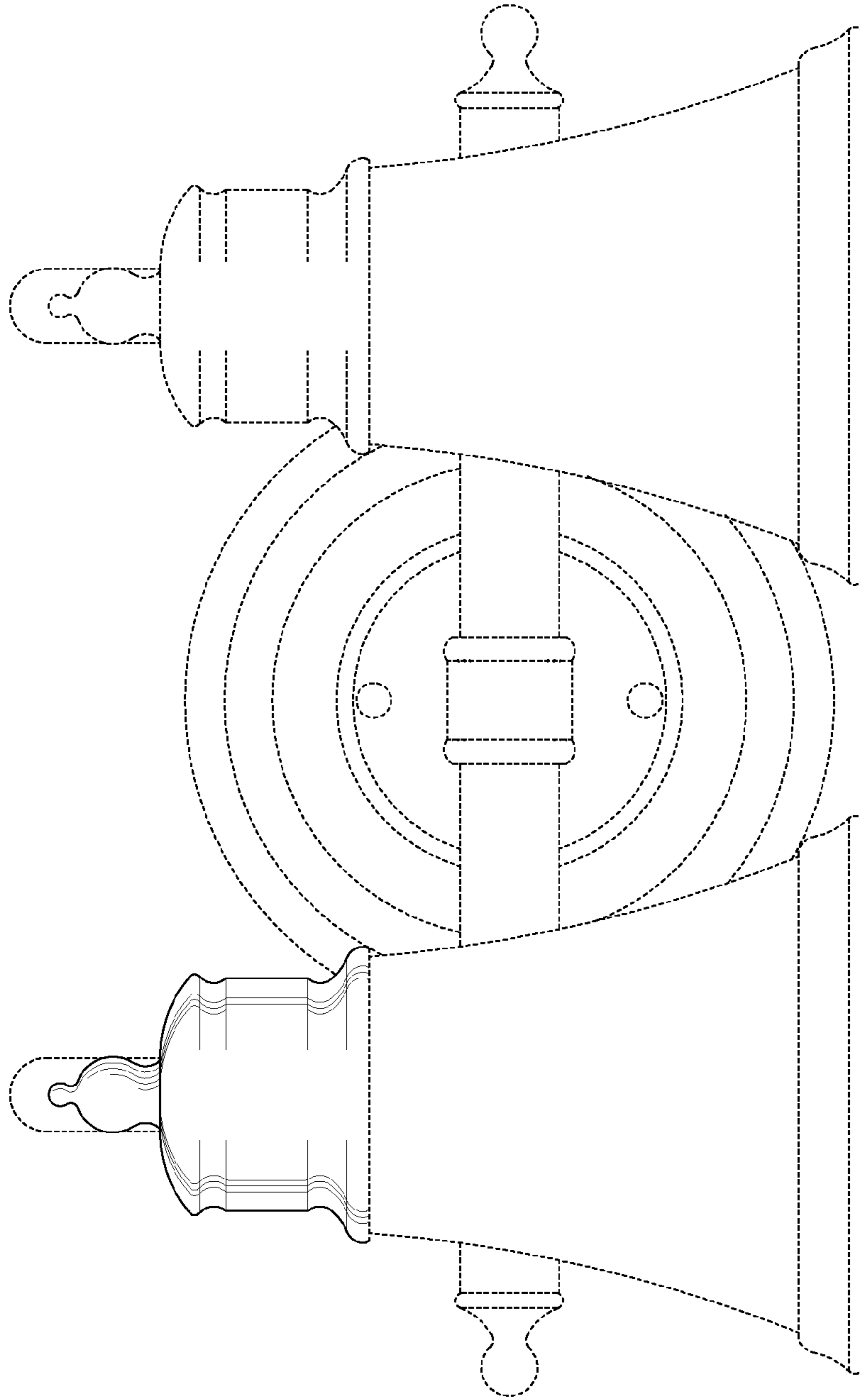


FIG. 5

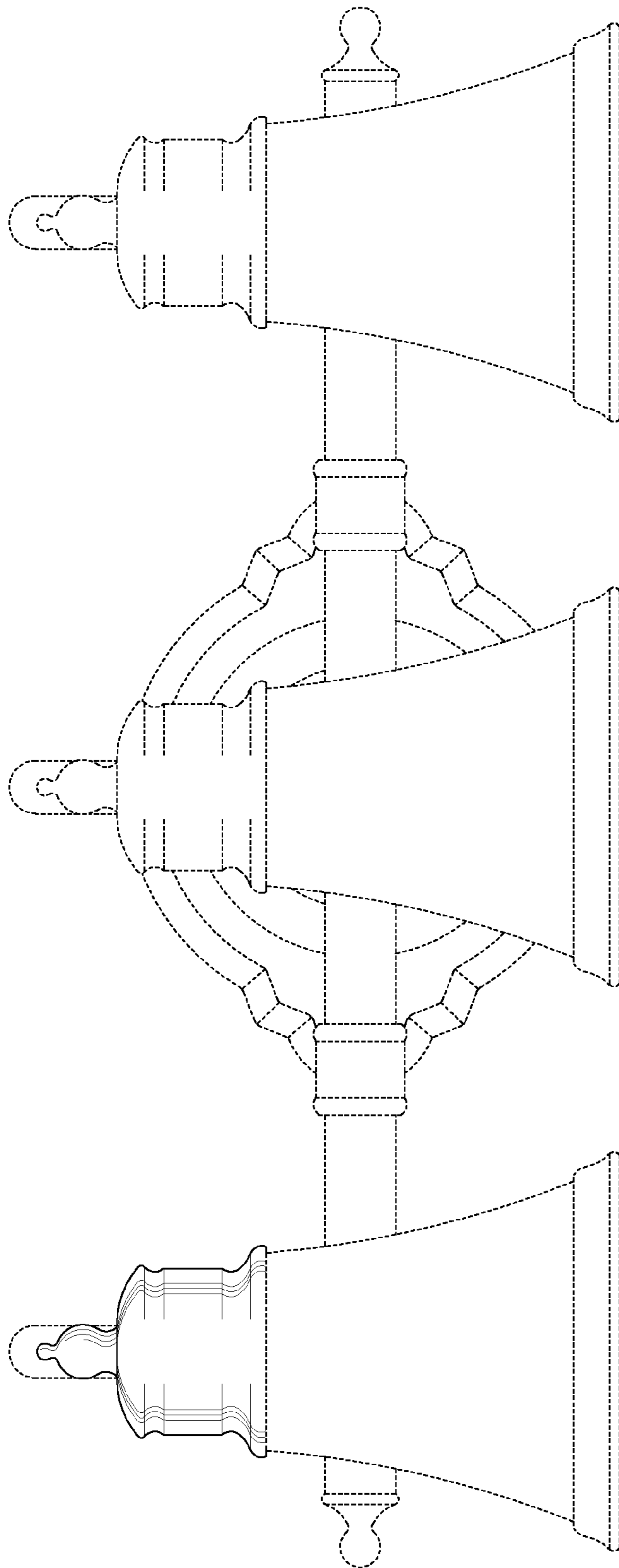


FIG. 6

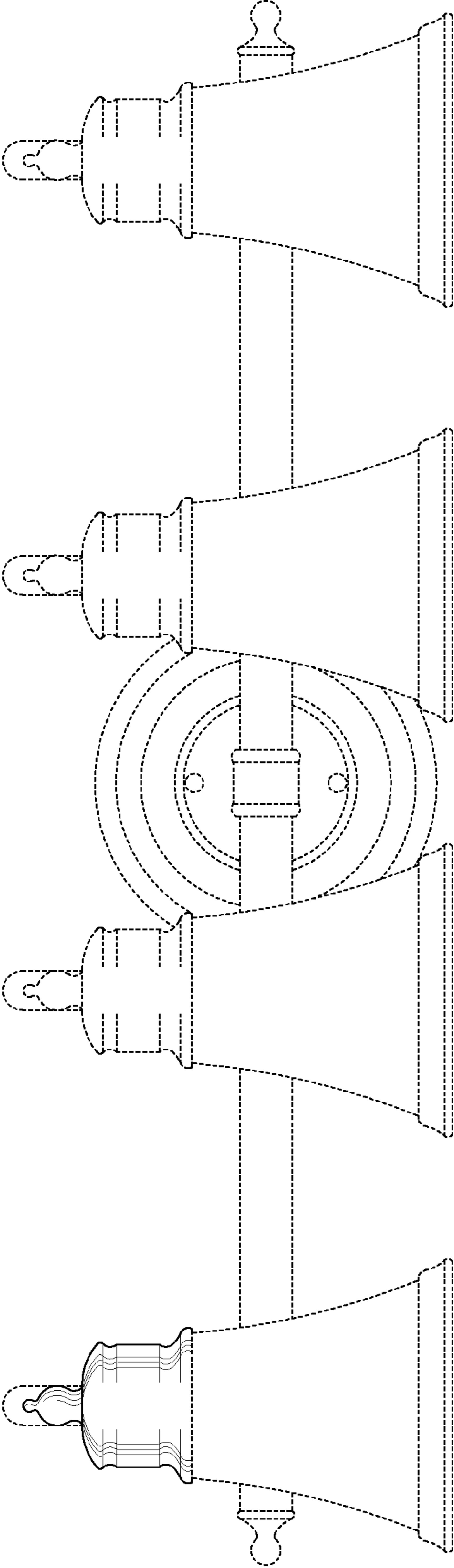


FIG. 7