



US00D616597S

(12) **United States Design Patent**
Chen et al.

(10) **Patent No.:** **US D616,597 S**
(45) **Date of Patent:** **** May 25, 2010**

(54) **ROTATION ADJUSTING DEVICE**

(75) Inventors: **Yung-I Chen**, Miao-Li Hsien (TW);
Wen-Jang Jiang, Miao-Li Hsien (TW)

(73) Assignee: **Foxsemicon Integrated Technology, Inc.**, Chu-Nan, Miao-Li Hsien (TW)

(**) Term: **14 Years**

(21) Appl. No.: **29/339,074**

(22) Filed: **Jun. 24, 2009**

(30) **Foreign Application Priority Data**

Apr. 21, 2009 (CN) 2009 3 0303376

(51) **LOC (9) Cl.** **26-99**

(52) **U.S. Cl.** **D26/140**

(58) **Field of Classification Search** 206/420;
D8/355; 362/371, 2, 5, 7, 10, 11, 14, 16,
362/18, 553, 555, 37, 39, 418, 424, 40, 102,
362/220, 259, 269, 277, 282, 285, 287, 425,
362/427, 429, 430, 404, 294, 235, 304; 16/367,
16/337, 340; 248/278.1; D14/452; D10/114;
D26/44, 60, 61, 63, 64, 65, 66, 113, 138,
D26/140, 141, 142, 152, 155, 120, 122
See application file for complete search history.

(56) **References Cited**

U.S. PATENT DOCUMENTS

3,586,282 A * 6/1971 Freeman 248/228.5
D225,768 S * 1/1973 Hernandez et al. D26/63
D239,047 S * 3/1976 Asaki D26/63
4,410,933 A * 10/1983 Blake et al. 362/371
4,716,344 A * 12/1987 Newell et al. 315/312
6,336,613 B1 * 1/2002 Roth 248/27.1

6,394,403 B1 * 5/2002 Hung 248/276.1
D464,250 S * 10/2002 Warner et al. D8/355
6,698,063 B2 * 3/2004 Kim et al. 16/337
6,710,929 B2 * 3/2004 Phuly et al. 359/641
7,186,008 B2 * 3/2007 Patti 362/365
7,234,674 B2 * 6/2007 Rippel et al. 248/343
D572,120 S * 7/2008 Concari D8/355
7,484,866 B1 * 2/2009 Buse 362/366
7,555,817 B2 * 7/2009 Hsu et al. 16/367
2003/0007355 A1 * 1/2003 Leen 362/287
2003/0016524 A1 * 1/2003 Smith 362/35
2005/0259447 A1 * 11/2005 Heaton et al. 362/656
2006/0193142 A1 * 8/2006 Dupre 362/418
2007/0025110 A1 * 2/2007 Langlois et al. 362/427
2008/0012719 A1 * 1/2008 Hoermann 340/657

* cited by examiner

Primary Examiner—Cathron C Brooks

Assistant Examiner—Kevin K Rudzinski

(74) *Attorney, Agent, or Firm*—Raymond J. Chew

(57) **CLAIM**

The ornamental design for a rotation adjusting device, as shown.

DESCRIPTION

FIG. 1 is a perspective view of a rotation adjusting device showing our new design.

FIG. 2 is a front elevational view thereof.

FIG. 3 is a rear elevational view thereof.

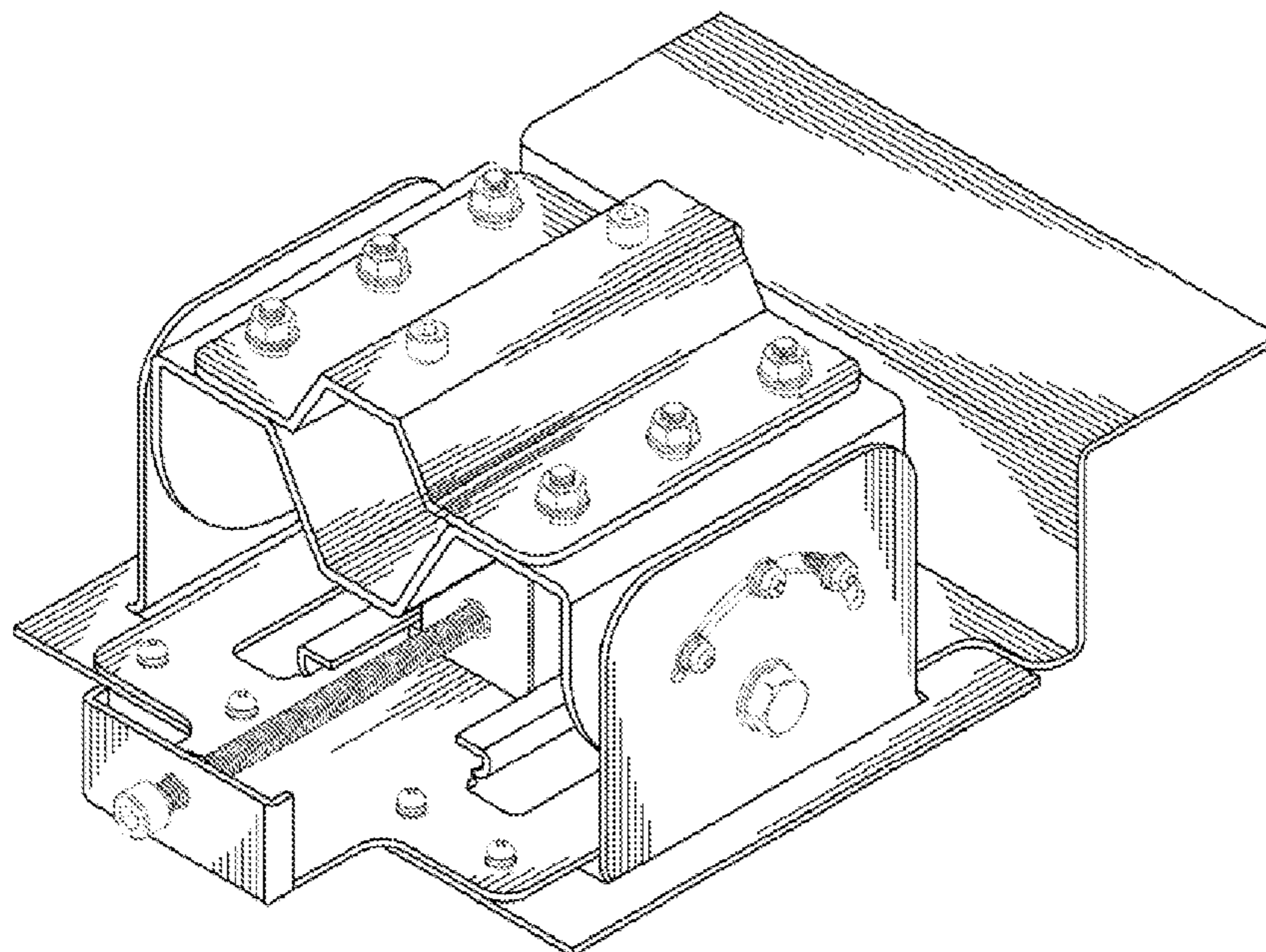
FIG. 4 is a left-side, elevational view thereof.

FIG. 5 is a right-side, elevational view thereof.

FIG. 6 is a top plan view thereof; and,

FIG. 7 is a bottom plan view thereof.

1 Claim, 7 Drawing Sheets



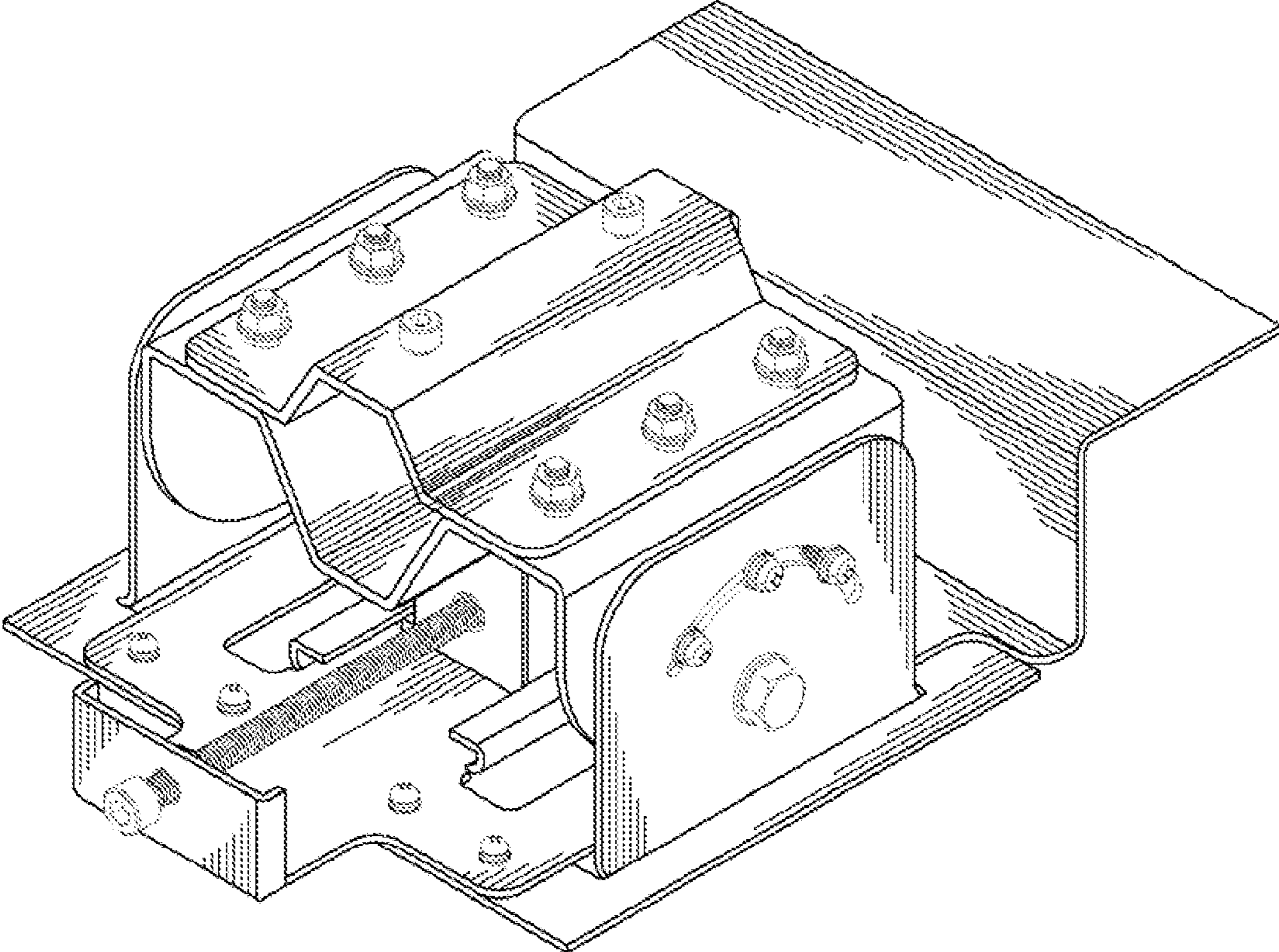


FIG. 1

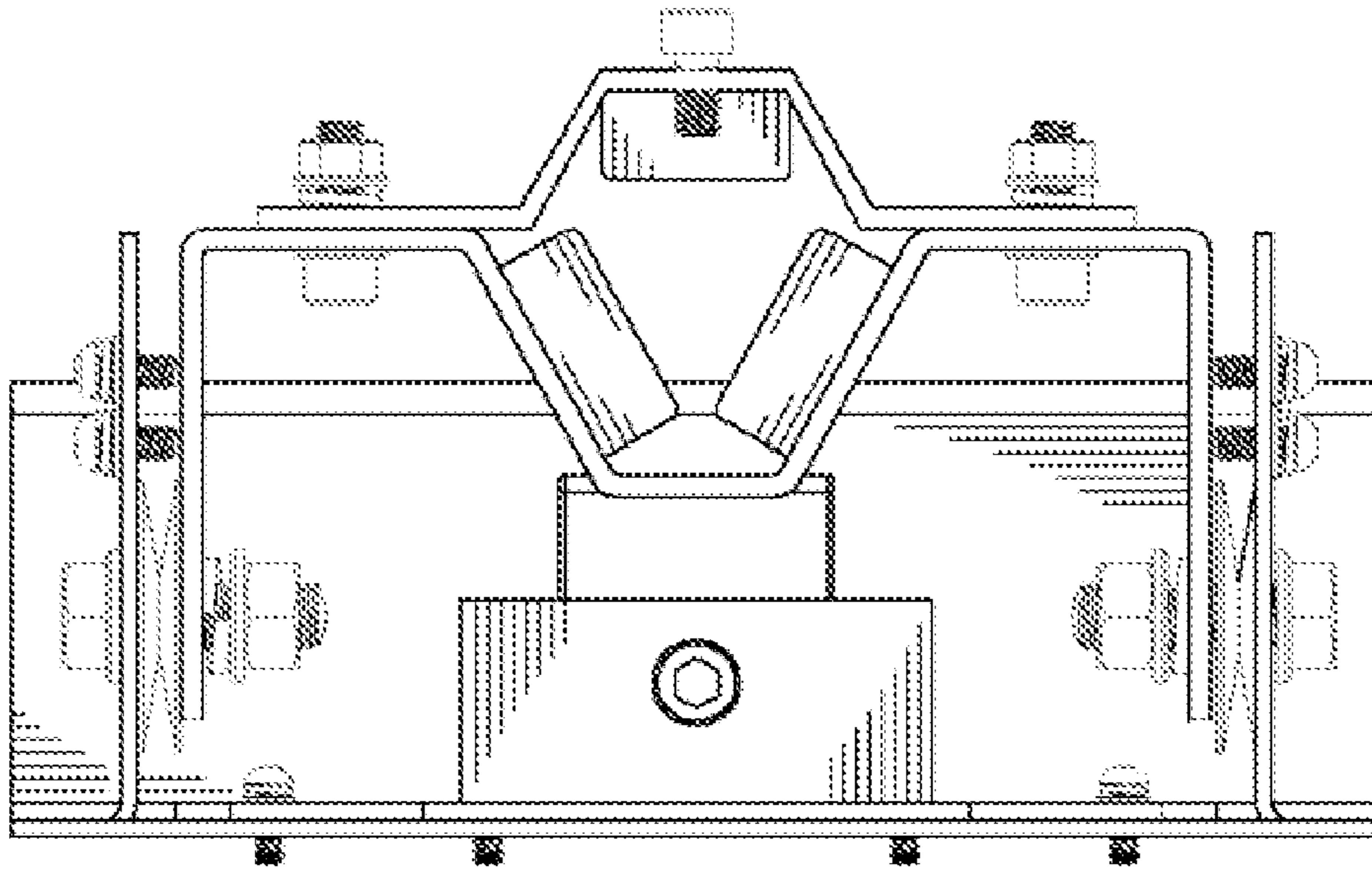


FIG. 2

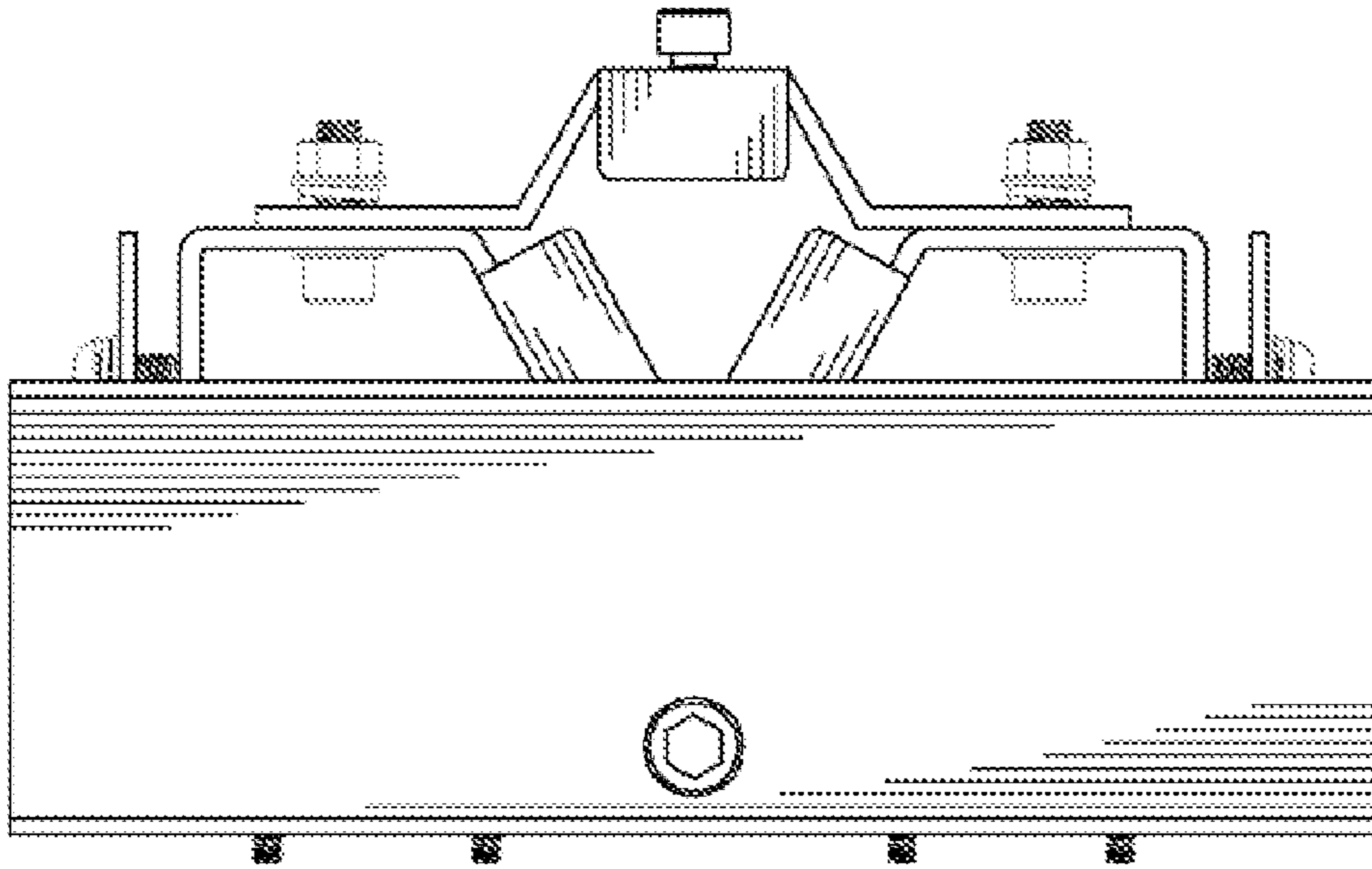


FIG. 3

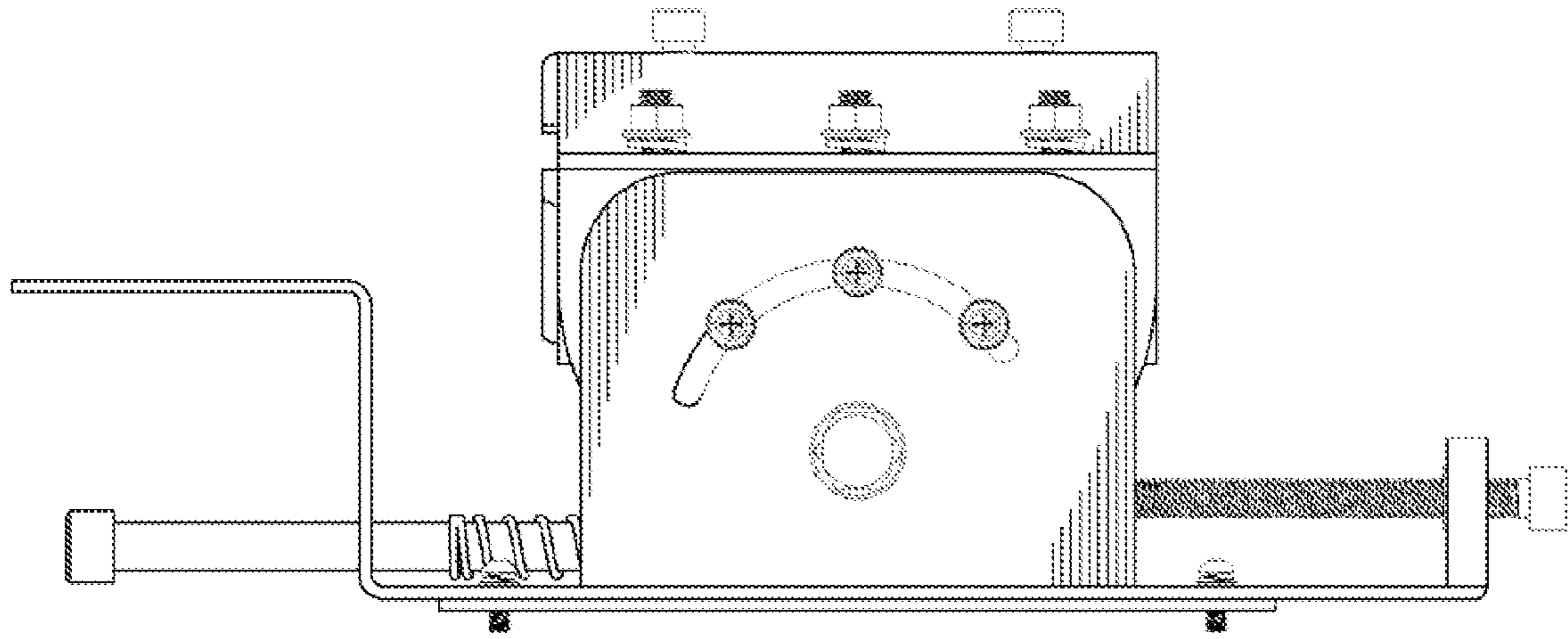


FIG. 4

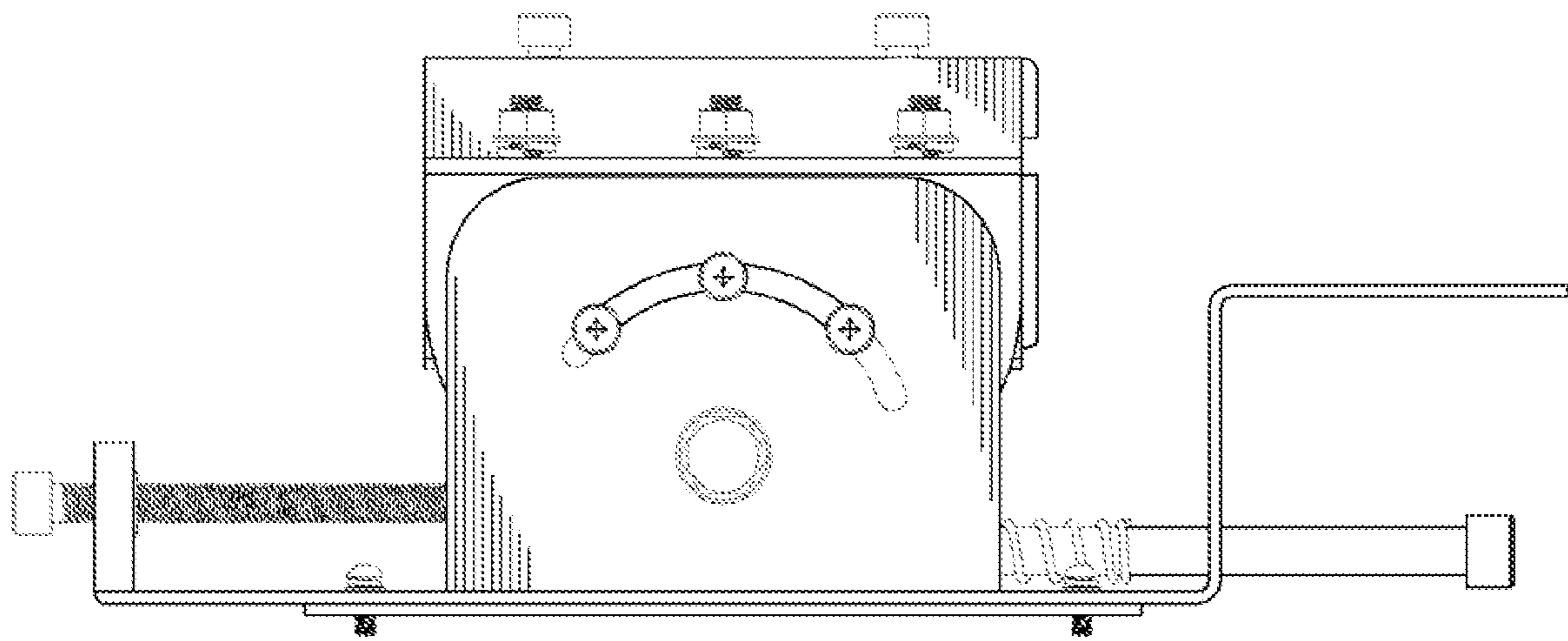


FIG. 5

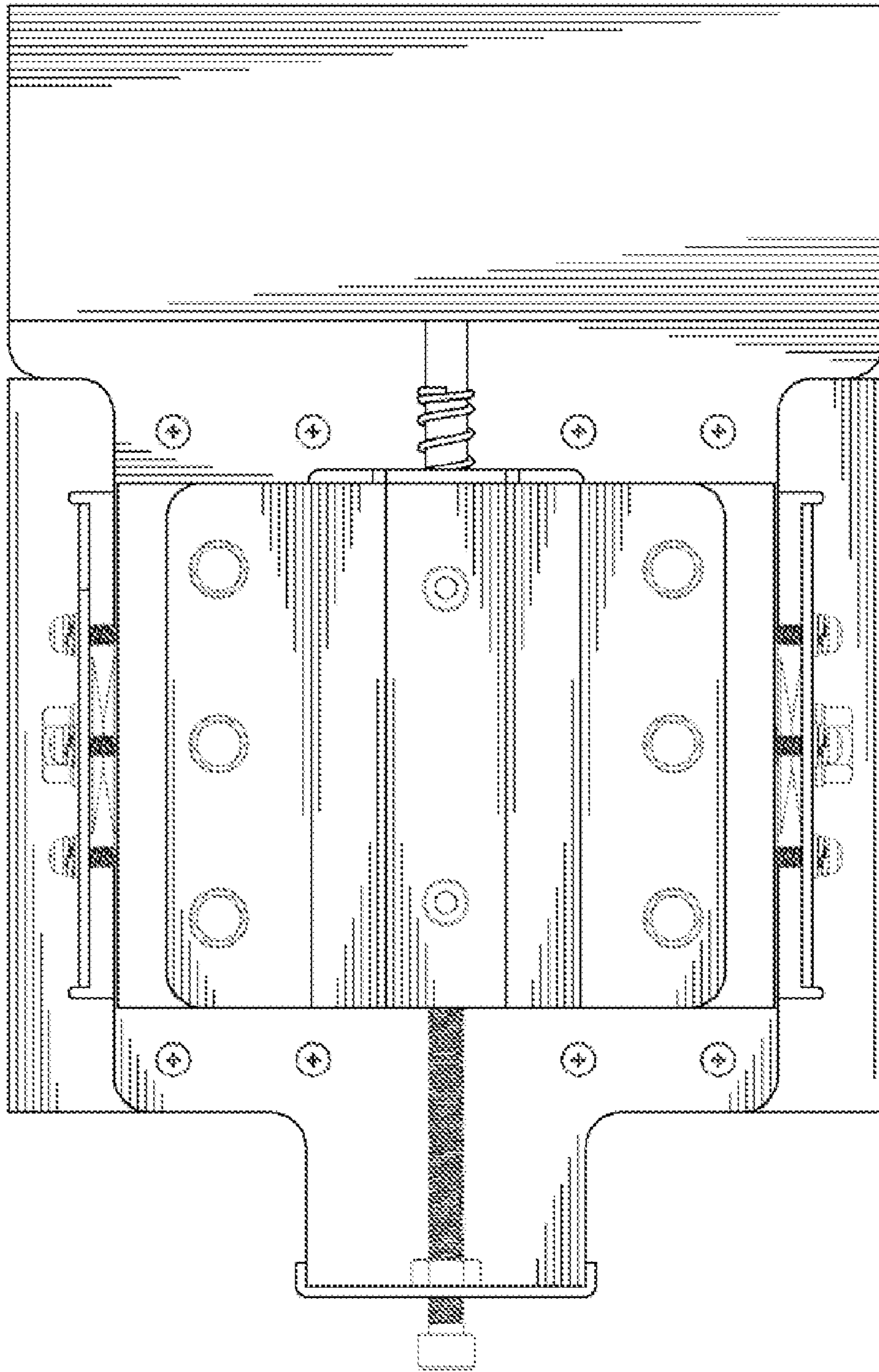


FIG. 6

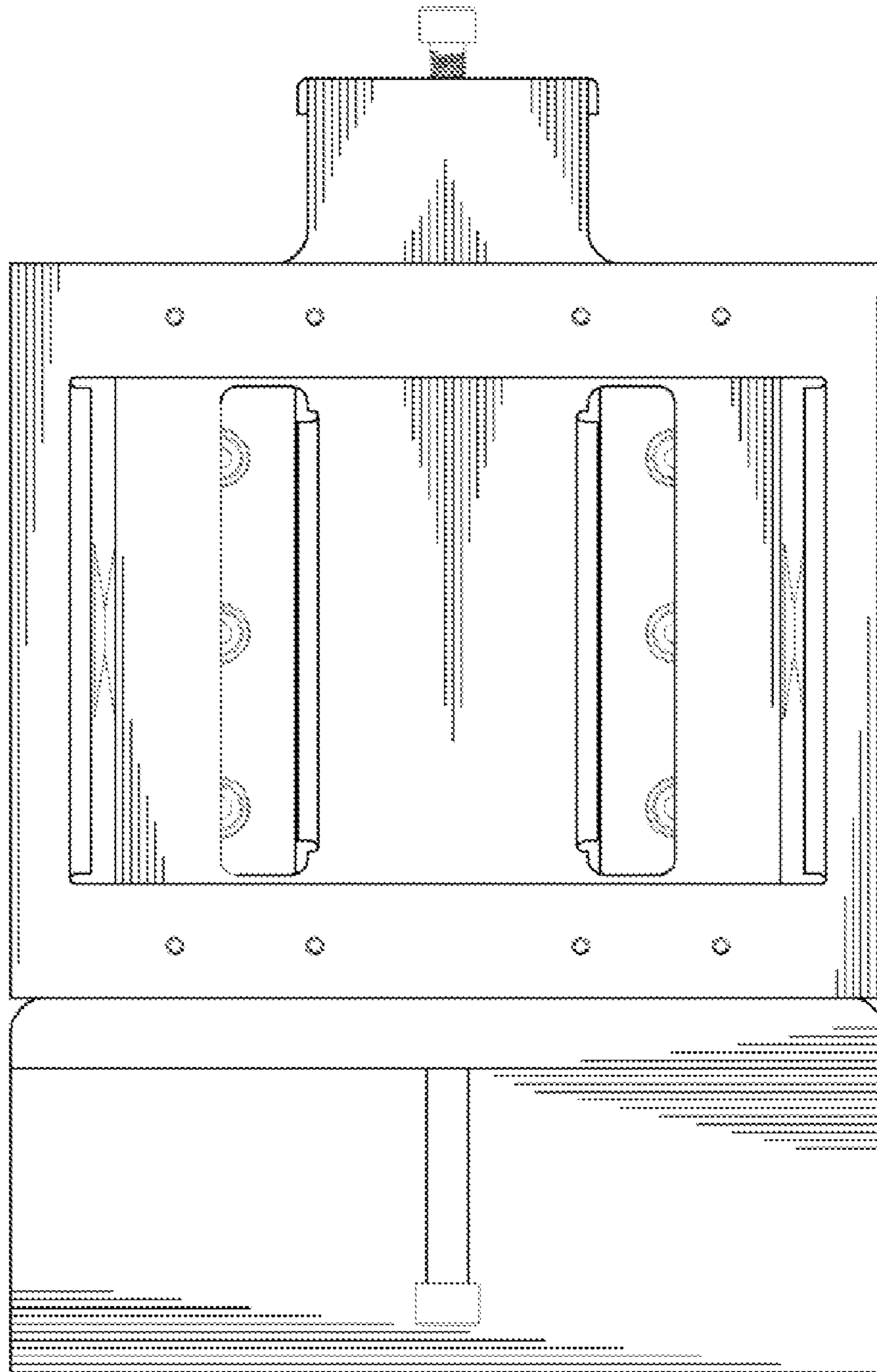


FIG. 7