



US00D616596S

(12) **United States Design Patent**
Chen et al.

(10) **Patent No.:** **US D616,596 S**
(45) **Date of Patent:** **** May 25, 2010**

(54) **ROTATION ADJUSTING DEVICE**

(75) Inventors: **Yung-I Chen**, Miao-Li Hsien (TW);
Wen-Jang Jiang, Miao-Li Hsien (TW)

(73) Assignee: **Foxsemicon Integrated Technology, Inc.**, Chu-Nan, Miao-Li Hsien (TW)

(**) Term: **14 Years**

(21) Appl. No.: **29/339,073**

(22) Filed: **Jun. 24, 2009**

(30) **Foreign Application Priority Data**

Apr. 21, 2009 (CN) 2009 3 0303372

(51) **LOC (9) Cl.** **26-99**

(52) **U.S. Cl.** **D26/140**

(58) **Field of Classification Search** 206/420;
D8/355; 362/371, 2, 5, 7, 10, 11, 14, 16,
362/18, 553, 555, 37, 39, 418, 424, 40, 102,
362/220, 259, 269, 277, 282, 285, 287, 425,
362/427, 429, 430, 404, 294, 235, 304; 16/367,
16/337, 340; 248/278.1; D14/452; D10/114;
D26/44, 60, 61, 63, 64, 65, 66, 113, 138,
D26/140, 141, 142, 152, 155, 120, 122

See application file for complete search history.

(56) **References Cited**

U.S. PATENT DOCUMENTS

3,586,282	A *	6/1971	Freeman	248/228.5
D225,768	S *	1/1973	Hernandez et al.	D26/63
D239,047	S *	3/1976	Asaki	D26/63
4,410,933	A *	10/1983	Blake et al.	362/371
4,716,344	A *	12/1987	Newell et al.	315/312
6,050,712	A *	4/2000	Burton	362/529
6,336,613	B1 *	1/2002	Roth	248/27.1
6,394,403	B1 *	5/2002	Hung	248/276.1

D464,250	S *	10/2002	Warner et al.	D8/355
6,698,063	B2 *	3/2004	Kim et al.	16/337
6,710,929	B2 *	3/2004	Phuly et al.	359/641
D493,905	S *	8/2004	Lin	D26/63
7,186,008	B2 *	3/2007	Patti	362/365
7,234,674	B2 *	6/2007	Rippel et al.	248/343
D570,513	S *	6/2008	Vice	D26/63
D572,120	S *	7/2008	Concari	D8/355
7,484,866	B1 *	2/2009	Buse	362/366
7,555,817	B2 *	7/2009	Hsu et al.	16/367
2003/0007355	A1 *	1/2003	Leen	362/287
2003/0016524	A1 *	1/2003	Smith	362/35
2005/0259447	A1 *	11/2005	Heaton et al.	362/656
2006/0193142	A1 *	8/2006	Dupre	362/418
2007/0025110	A1 *	2/2007	Langlois et al.	362/427
2008/0012719	A1 *	1/2008	Hoermann	340/657

* cited by examiner

Primary Examiner—Cathron C Brooks

Assistant Examiner—Kevin K Rudzinski

(74) *Attorney, Agent, or Firm*—Raymond J. Chew

(57) **CLAIM**

The ornamental design for a rotation adjusting device, as shown.

DESCRIPTION

FIG. 1 is a perspective view of a rotation adjusting device showing our new design.

FIG. 2 is a front elevational view thereof

FIG. 3 is a rear elevational view thereof

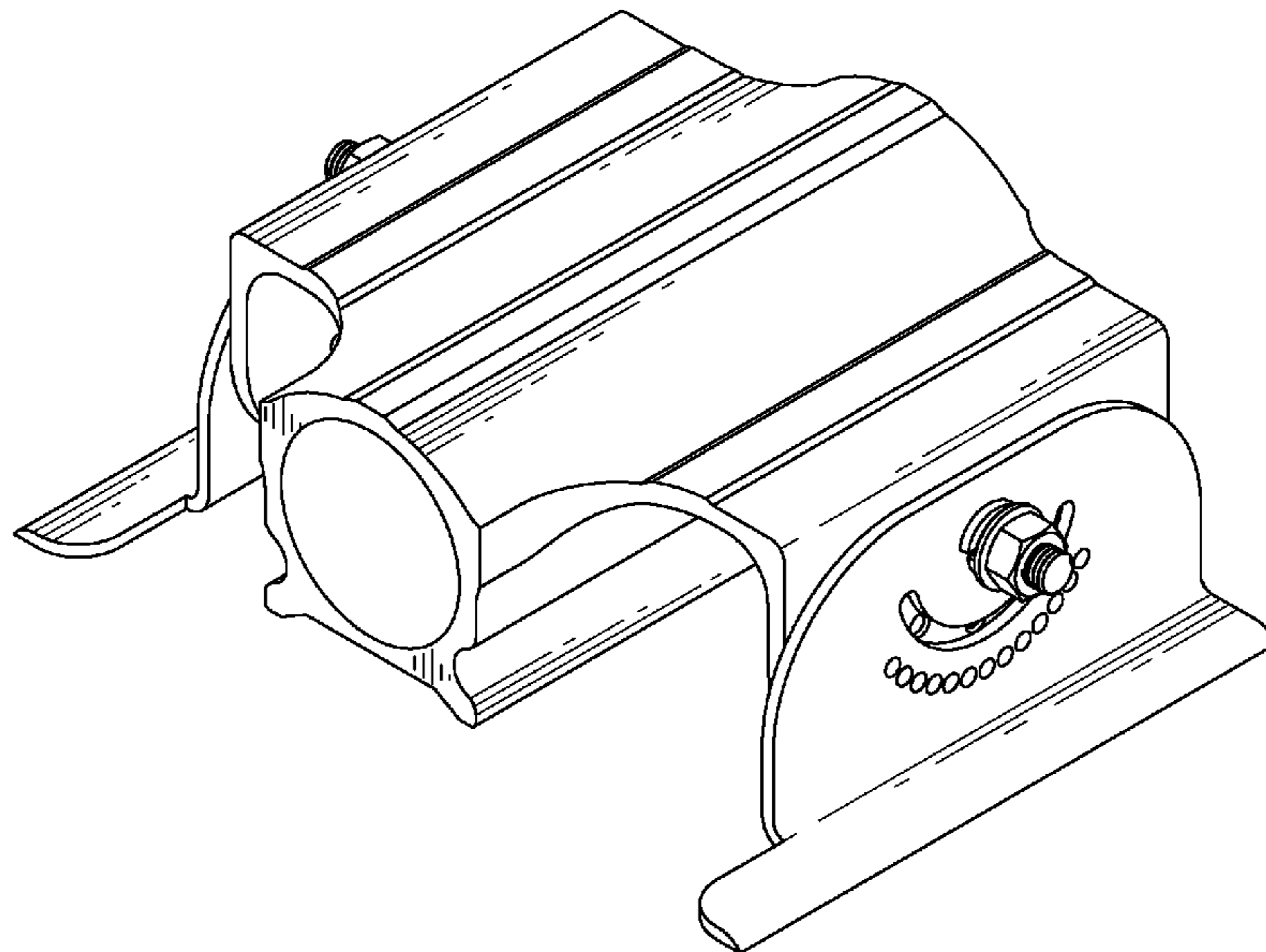
FIG. 4 is a left-side, elevational view thereof.

FIG. 5 is a right-side, elevational view thereof

FIG. 6 is a top plan view thereof; and,

FIG. 7 is a bottom plan view thereof.

1 Claim, 7 Drawing Sheets



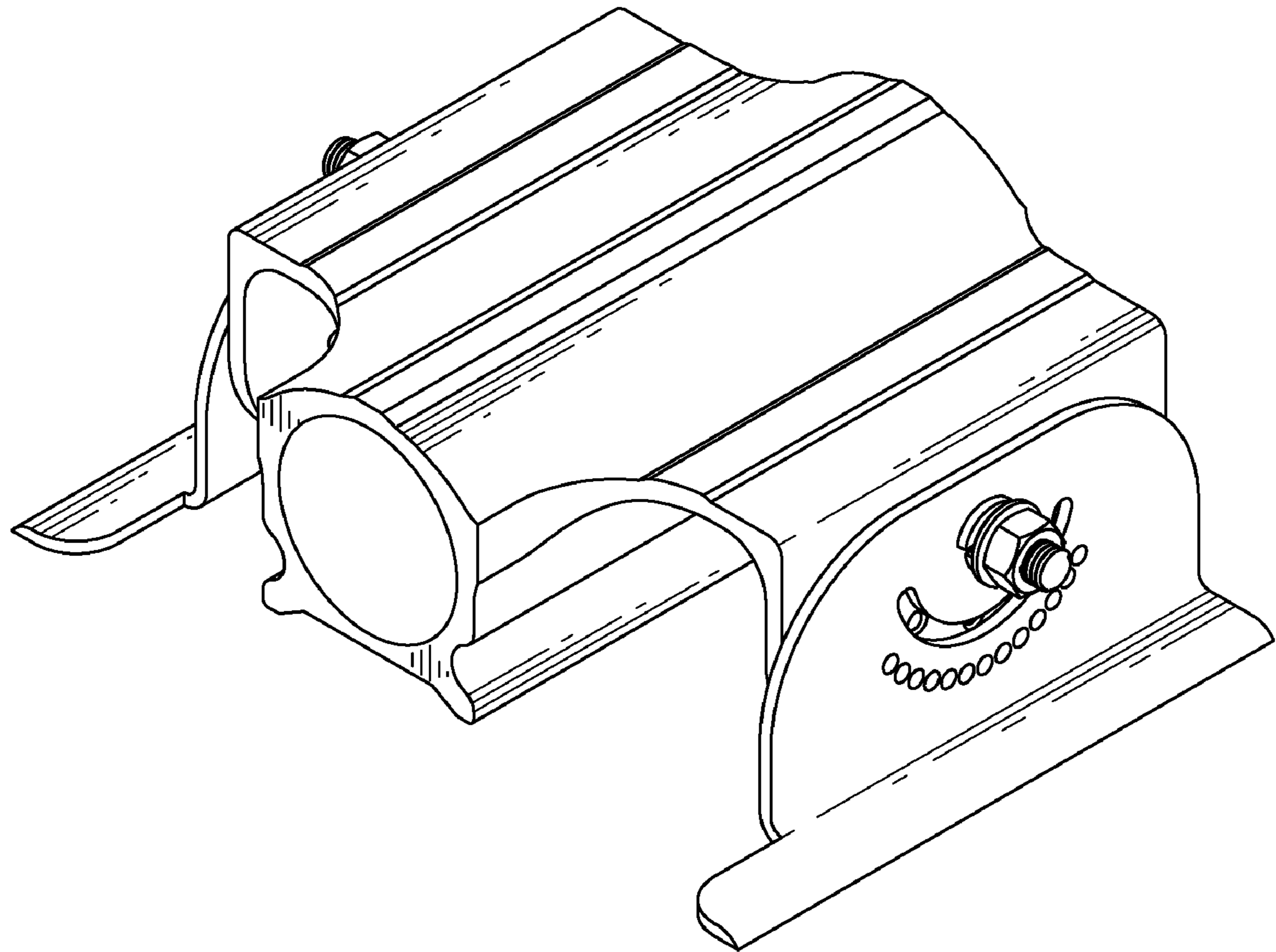


FIG. 1

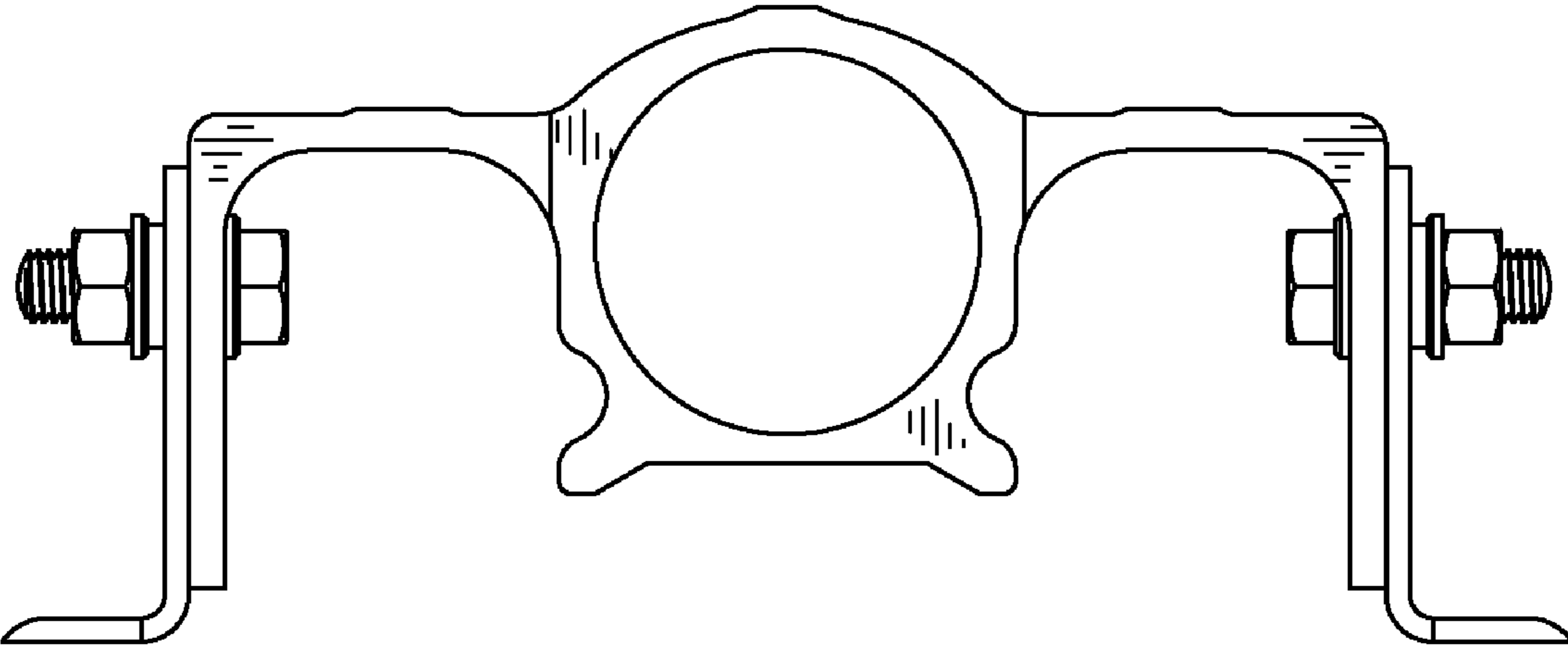


FIG. 2

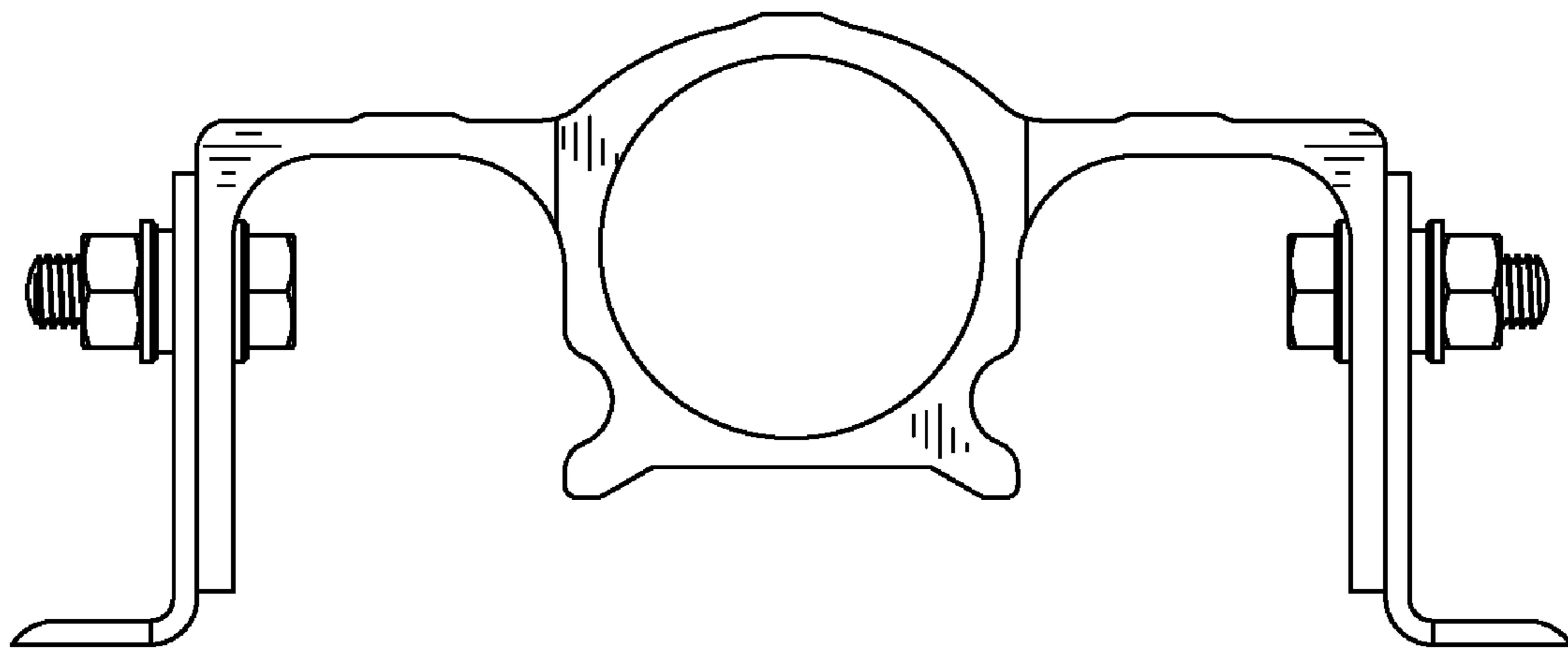


FIG. 3

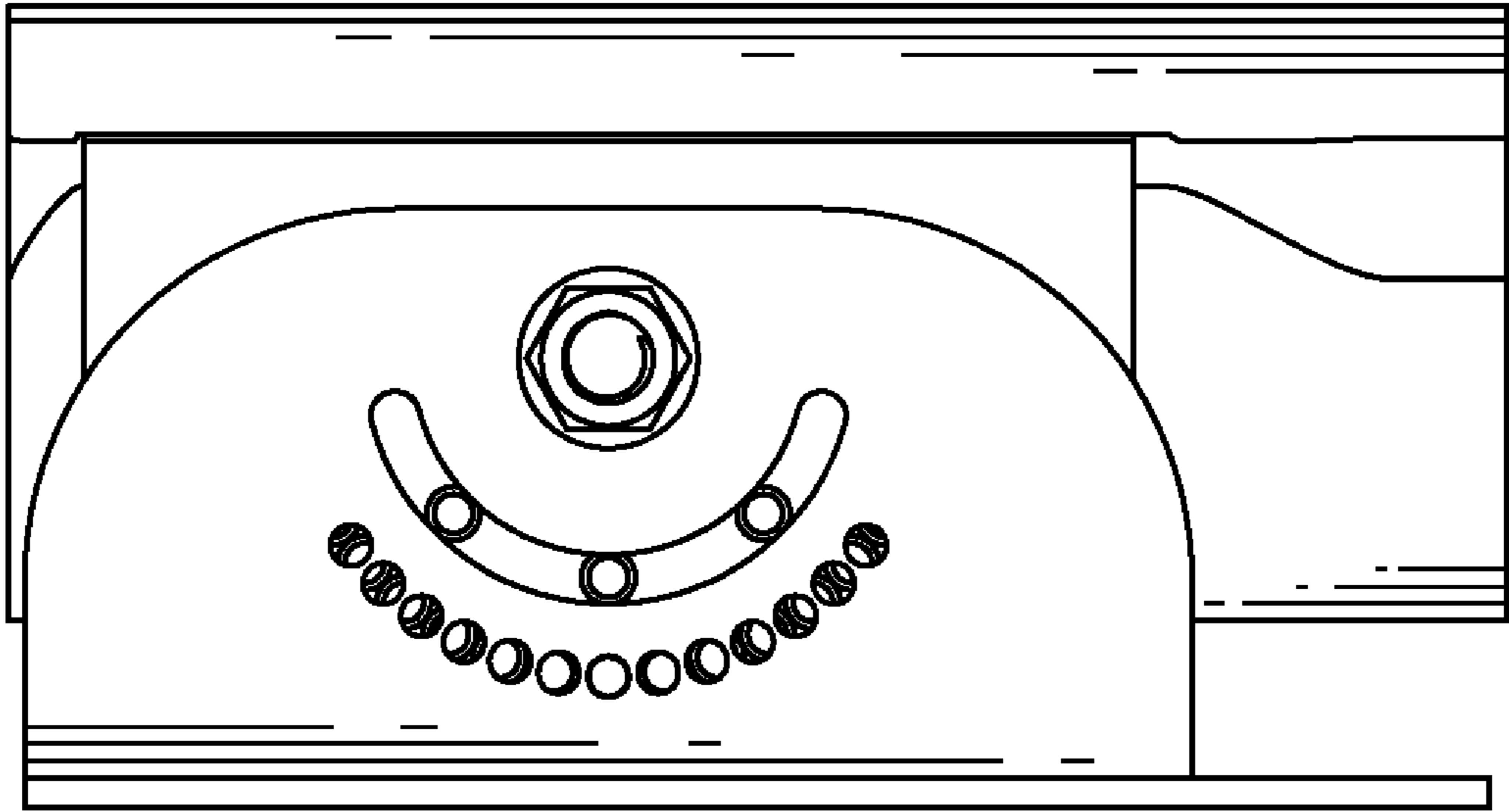


FIG. 4

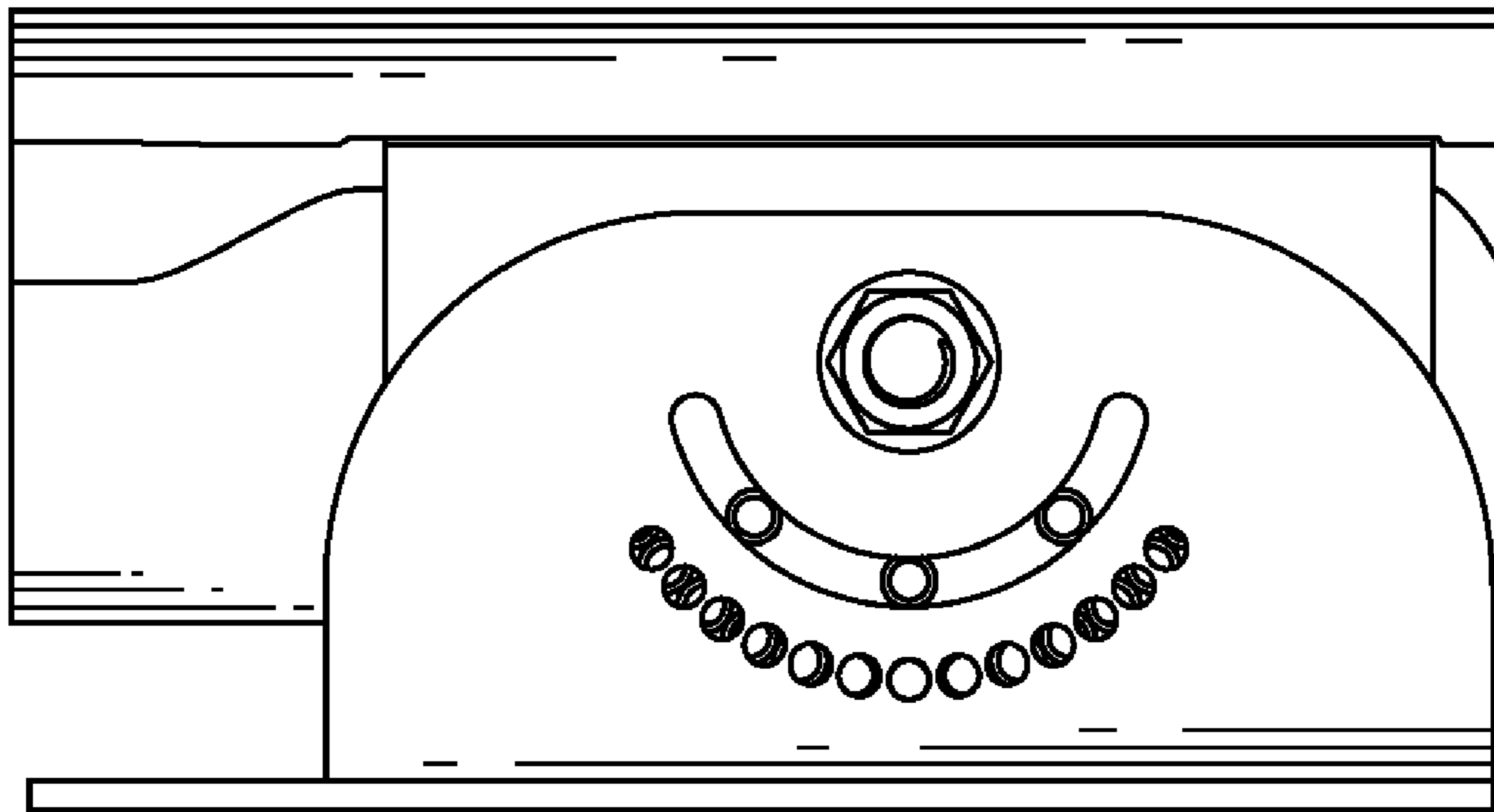


FIG. 5

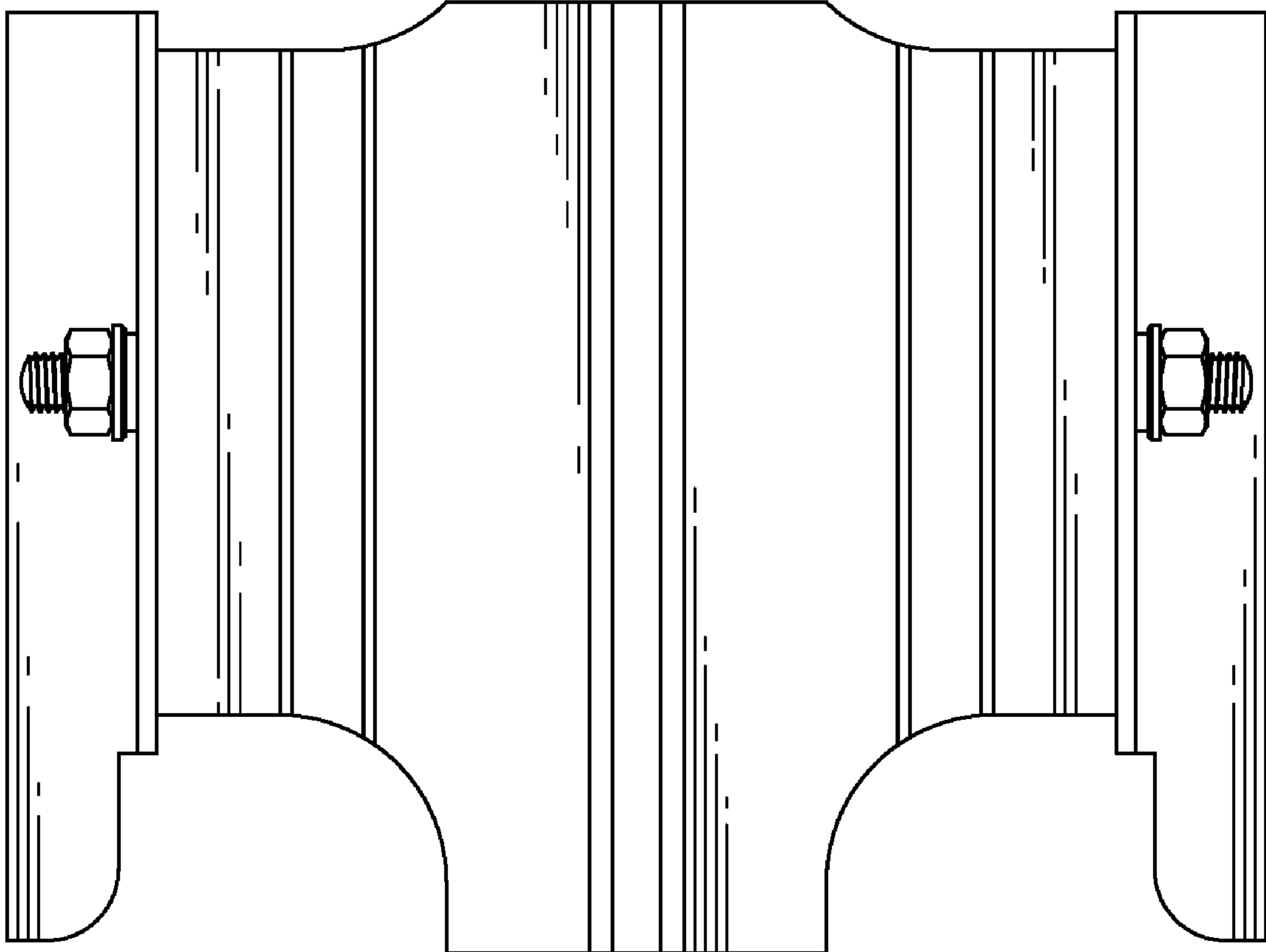


FIG. 6

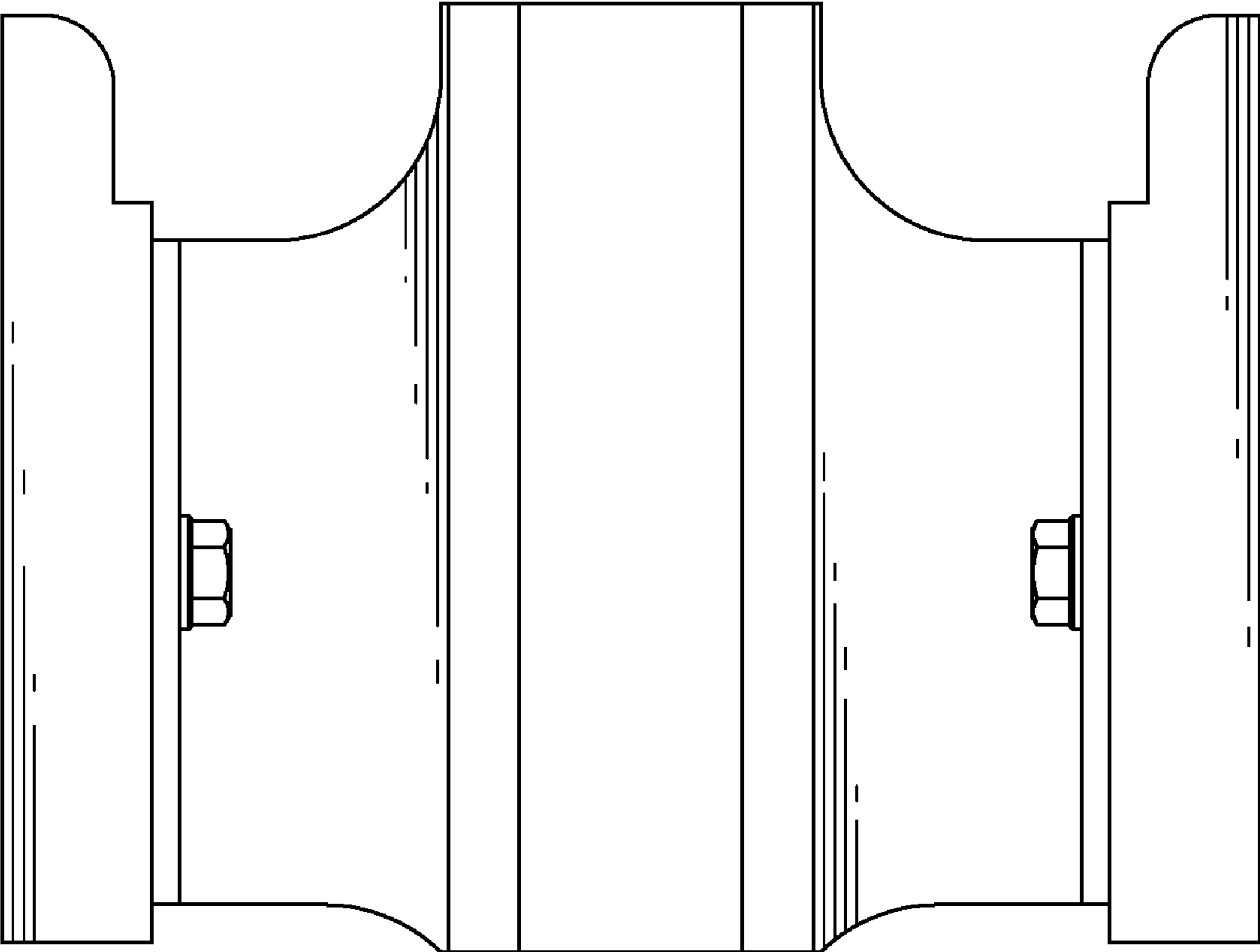


FIG. 7