



US00D616595S

(12) **United States Design Patent**  
**Chen et al.**

(10) **Patent No.:** **US D616,595 S**

(45) **Date of Patent:** **\*\* May 25, 2010**

(54) **ROTATION ADJUSTING DEVICE**

(75) Inventors: **Yung-I Chen**, Miao-Li Hsien (TW);  
**Wen-Jang Jiang**, Miao-Li Hsien (TW)

(73) Assignee: **Foxsemicon Integrated Technology, Inc.**, Chu-Nan, Miao-Li Hsien (TW)

(\*\*) Term: **14 Years**

(21) Appl. No.: **29/339,072**

(22) Filed: **Jun. 24, 2009**

(30) **Foreign Application Priority Data**

Apr. 21, 2009 (CN) ..... 2009 3 0303371

(51) **LOC (9) Cl.** ..... **26-99**

(52) **U.S. Cl.** ..... **D26/140**

(58) **Field of Classification Search** ..... 206/420;  
D8/355; 362/371, 2, 5, 7, 10, 11, 14, 16,  
362/18, 553, 555, 37, 39, 418, 424, 40, 102,  
362/220, 259, 269, 277, 282, 285, 287, 425,  
362/427, 429, 430, 404, 294, 235, 304; 16/367,  
16/337, 340; 248/278.1; D14/452; D10/114;  
D26/44, 60, 61, 63, 64, 65, 66, 113, 138,  
D26/140, 141, 142, 152, 155, 120, 122

See application file for complete search history.

(56) **References Cited**

**U.S. PATENT DOCUMENTS**

3,586,282 A \* 6/1971 Freeman ..... 248/228.5  
D225,768 S \* 1/1973 Hernandez et al. .... D26/63  
D239,047 S \* 3/1976 Asaki ..... D26/63  
4,410,933 A \* 10/1983 Blake et al. .... 362/371  
4,716,344 A \* 12/1987 Newell et al. .... 315/312  
6,050,712 A \* 4/2000 Burton ..... 362/529  
6,336,613 B1 \* 1/2002 Roth ..... 248/27.1  
6,394,403 B1 \* 5/2002 Hung ..... 248/276.1

D464,250 S \* 10/2002 Warner et al. .... D8/355  
6,698,063 B2 \* 3/2004 Kim et al. .... 16/337  
6,710,929 B2 \* 3/2004 Phuly et al. .... 359/641  
D493,905 S \* 8/2004 Lin ..... D26/63  
7,186,008 B2 \* 3/2007 Patti ..... 362/365  
7,234,674 B2 \* 6/2007 Rippel et al. .... 248/343  
D570,513 S \* 6/2008 Vice ..... D26/63  
D572,120 S \* 7/2008 Concari ..... D8/355  
7,484,866 B1 \* 2/2009 Buse ..... 362/366  
7,555,817 B2 \* 7/2009 Hsu et al. .... 16/367  
2003/0007355 A1 \* 1/2003 Leen ..... 362/287  
2003/0016524 A1 \* 1/2003 Smith ..... 362/35  
2005/0259447 A1 \* 11/2005 Heaton et al. .... 362/656  
2006/0193142 A1 \* 8/2006 Dupre ..... 362/418  
2007/0025110 A1 \* 2/2007 Langlois et al. .... 362/427  
2008/0012719 A1 \* 1/2008 Hoermann ..... 340/657

\* cited by examiner

*Primary Examiner*—Cathron C Brooks

*Assistant Examiner*—Kevin K Rudzinski

(74) *Attorney, Agent, or Firm*—Raymond J. Chew

(57) **CLAIM**

The ornamental design for a rotation adjusting device, as shown.

**DESCRIPTION**

FIG. 1 is a perspective view of a rotation adjusting device showing our new design.

FIG. 2 is a front elevational view thereof.

FIG. 3 is a rear elevational view thereof.

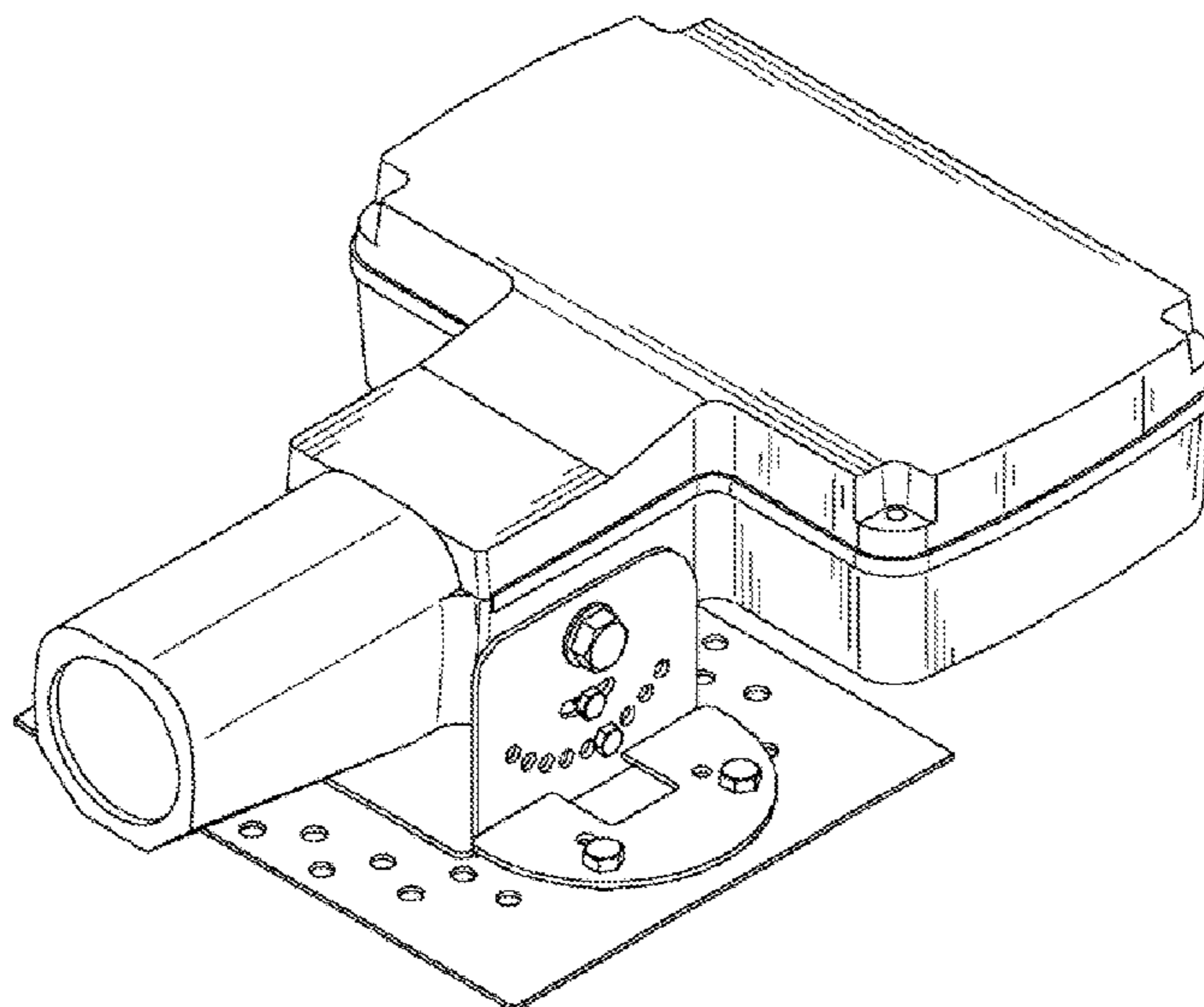
FIG. 4 is a left-side, elevational view thereof.

FIG. 5 is a right-side, elevational view thereof.

FIG. 6 is a top plan view thereof; and,

FIG. 7 is a bottom plan view thereof.

**1 Claim, 7 Drawing Sheets**



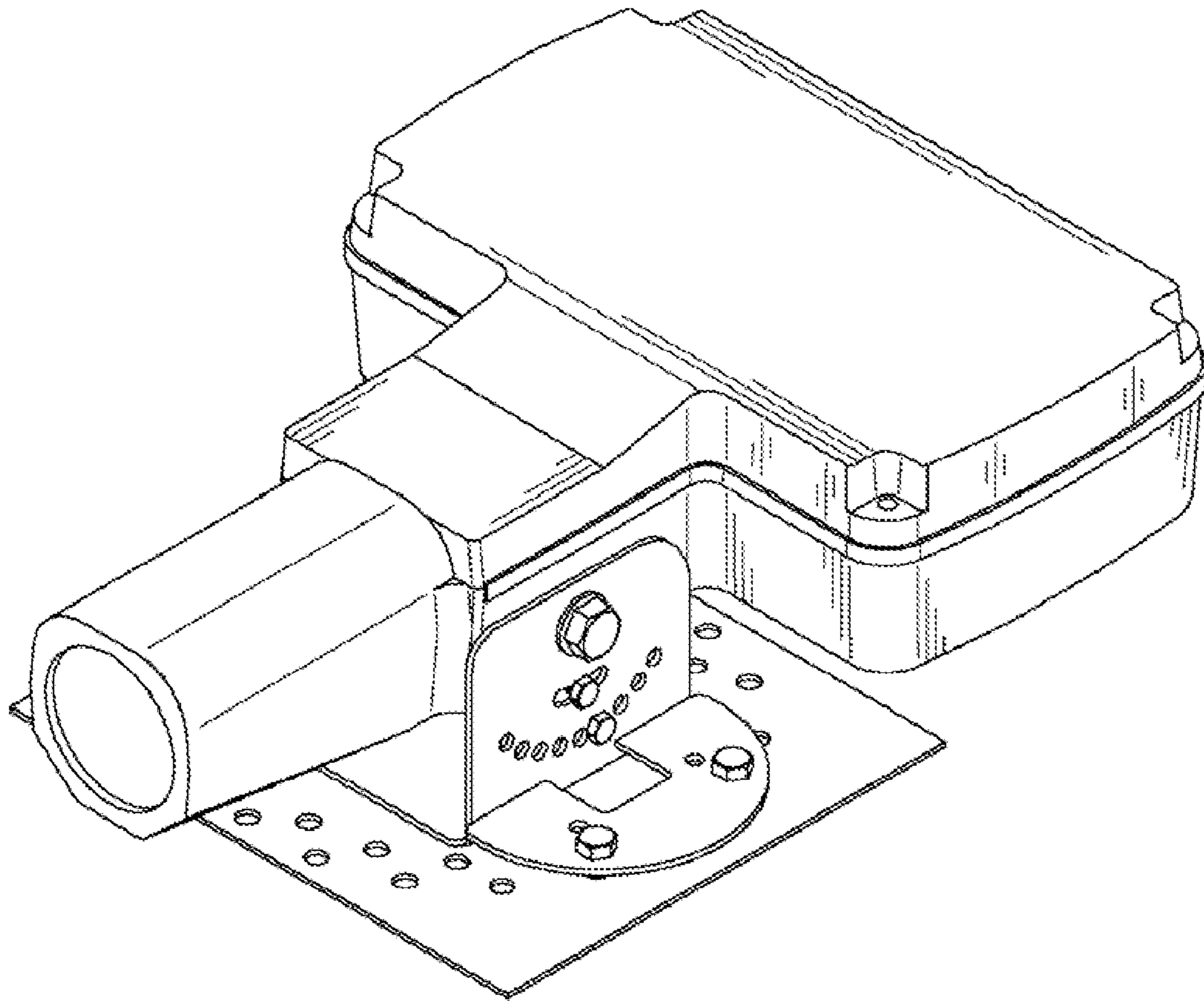


FIG. 1

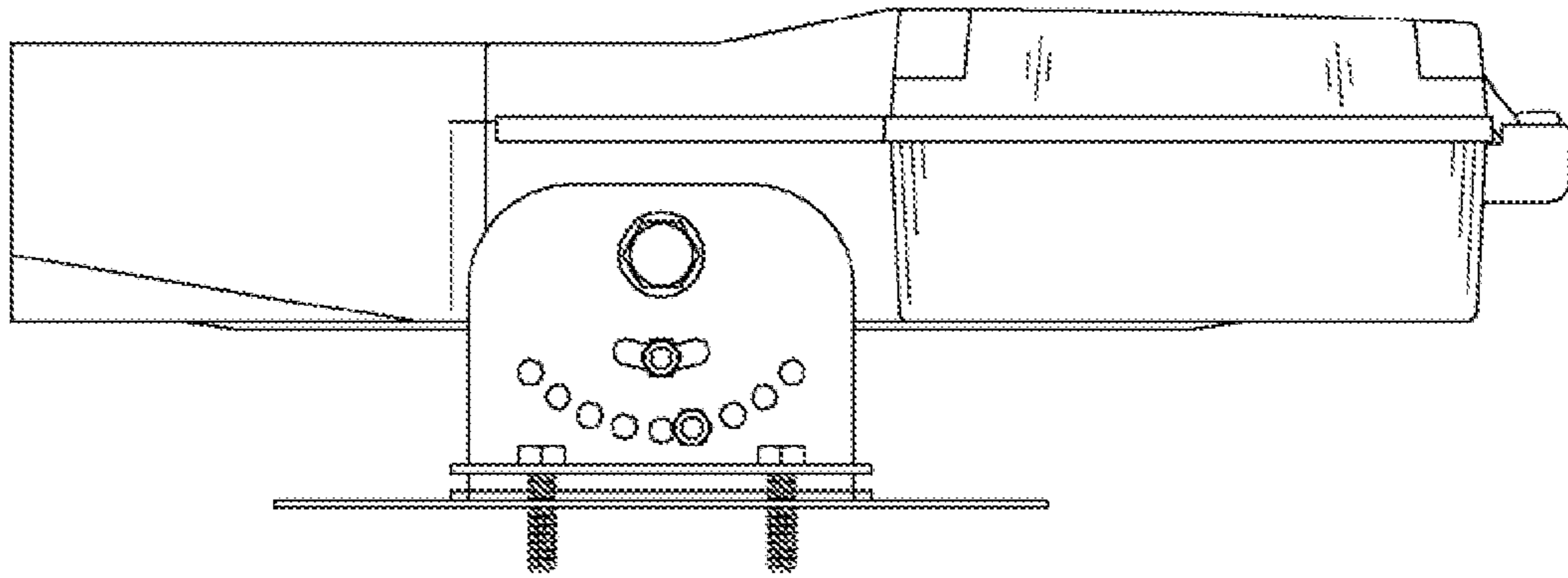


FIG. 2

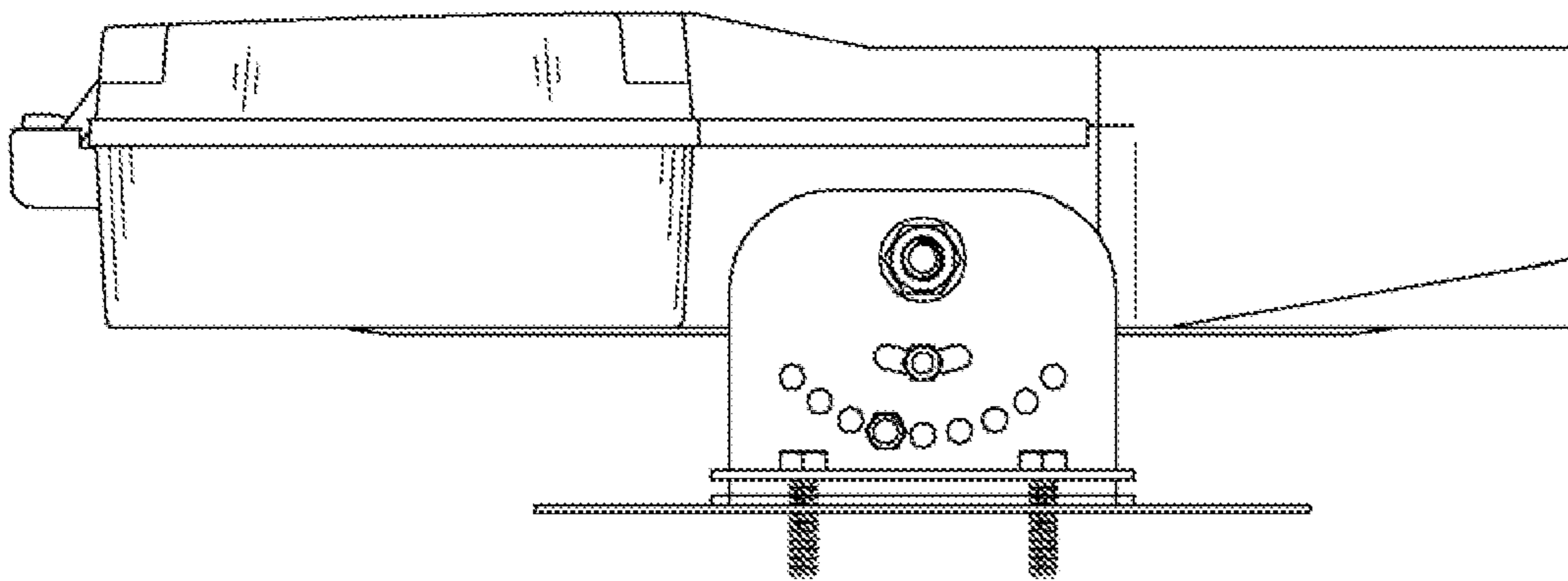


FIG. 3

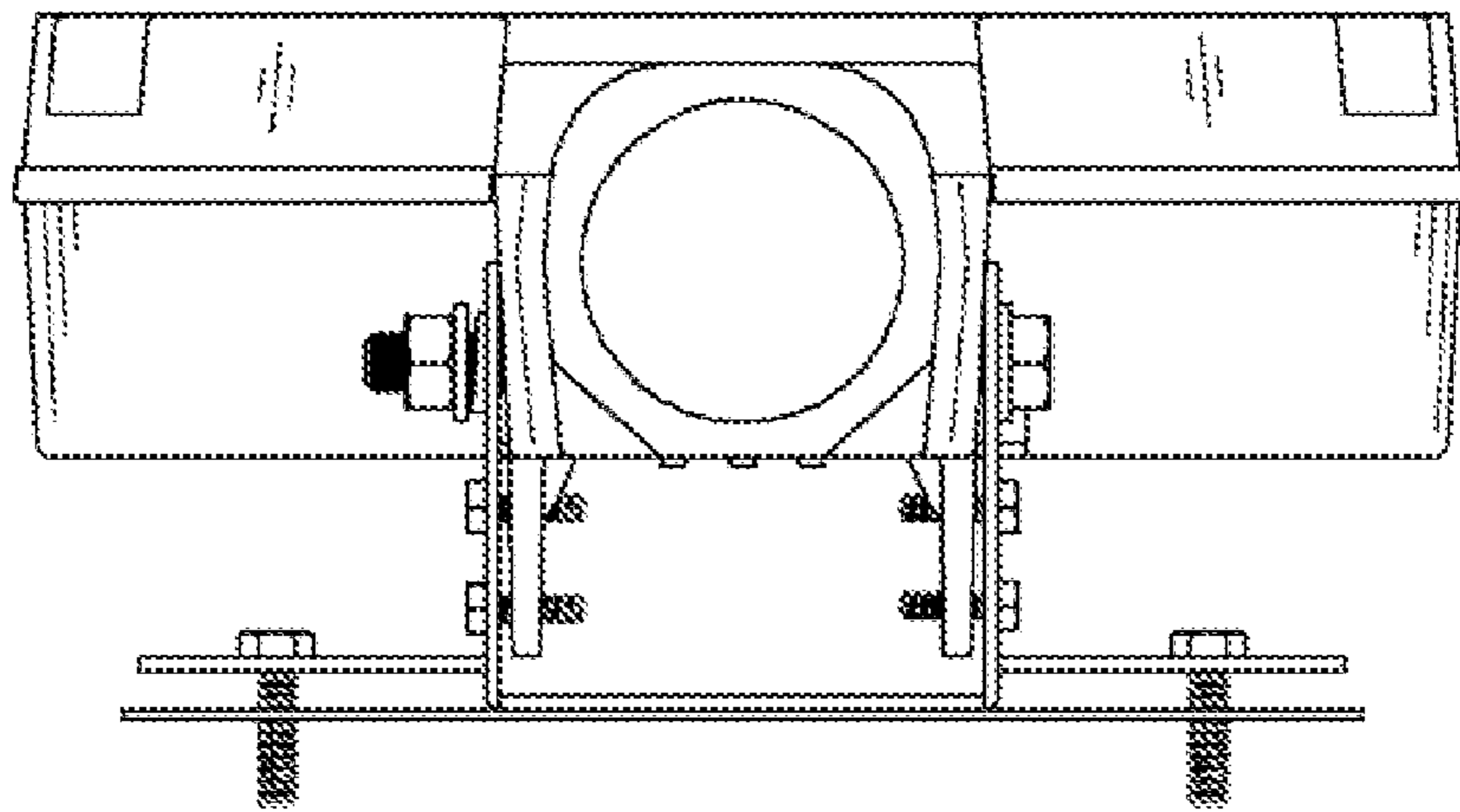


FIG. 4

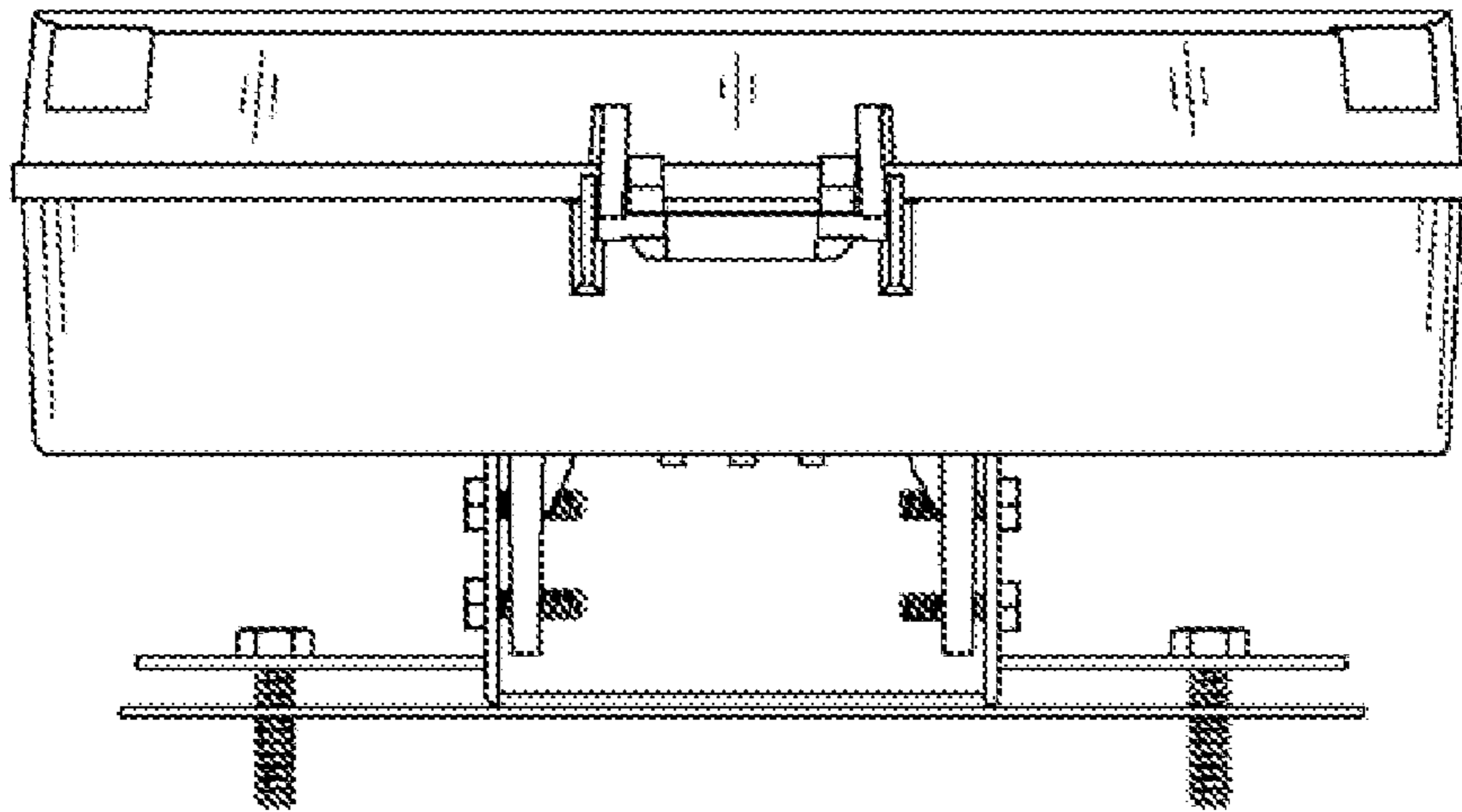


FIG. 5

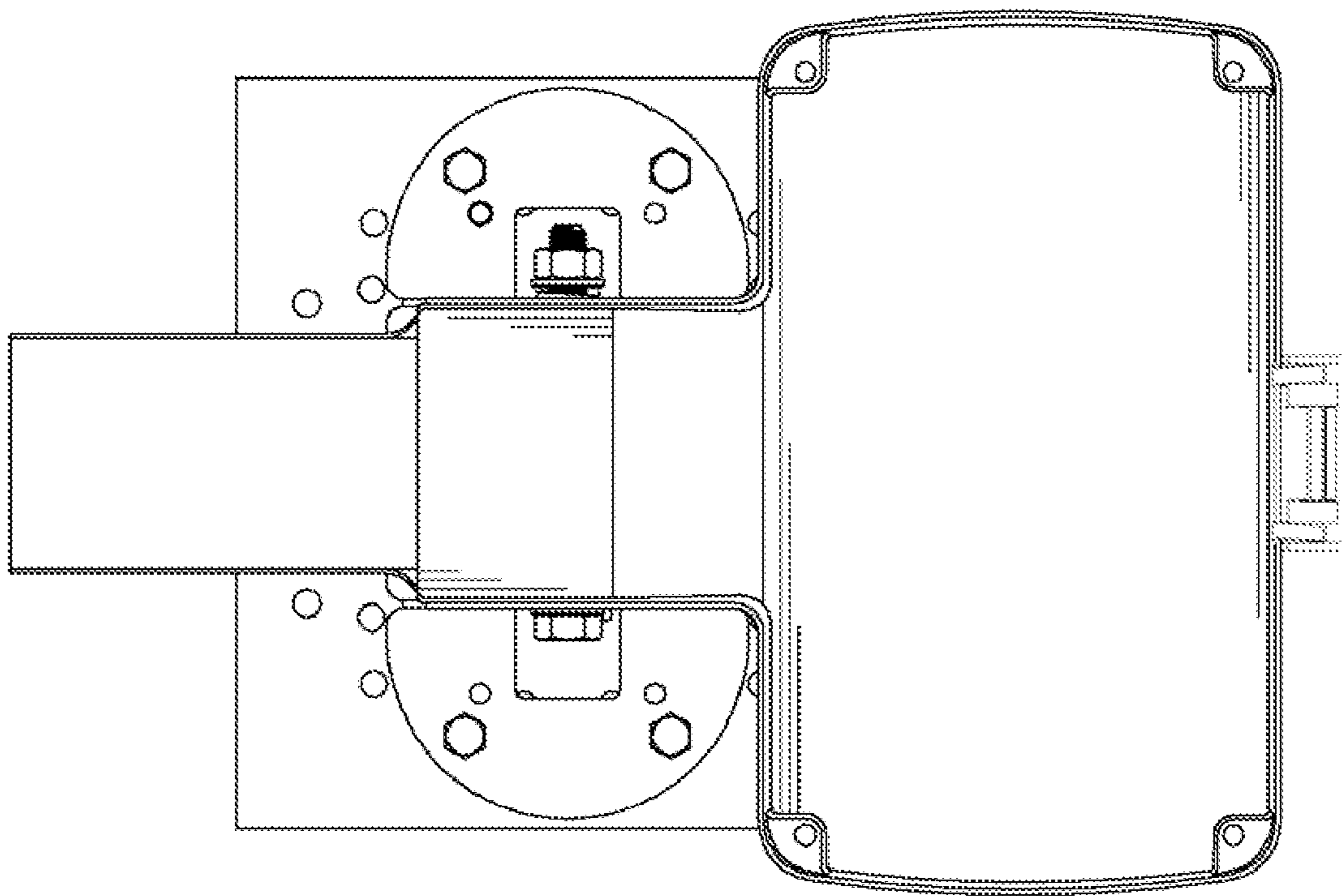


FIG. 6

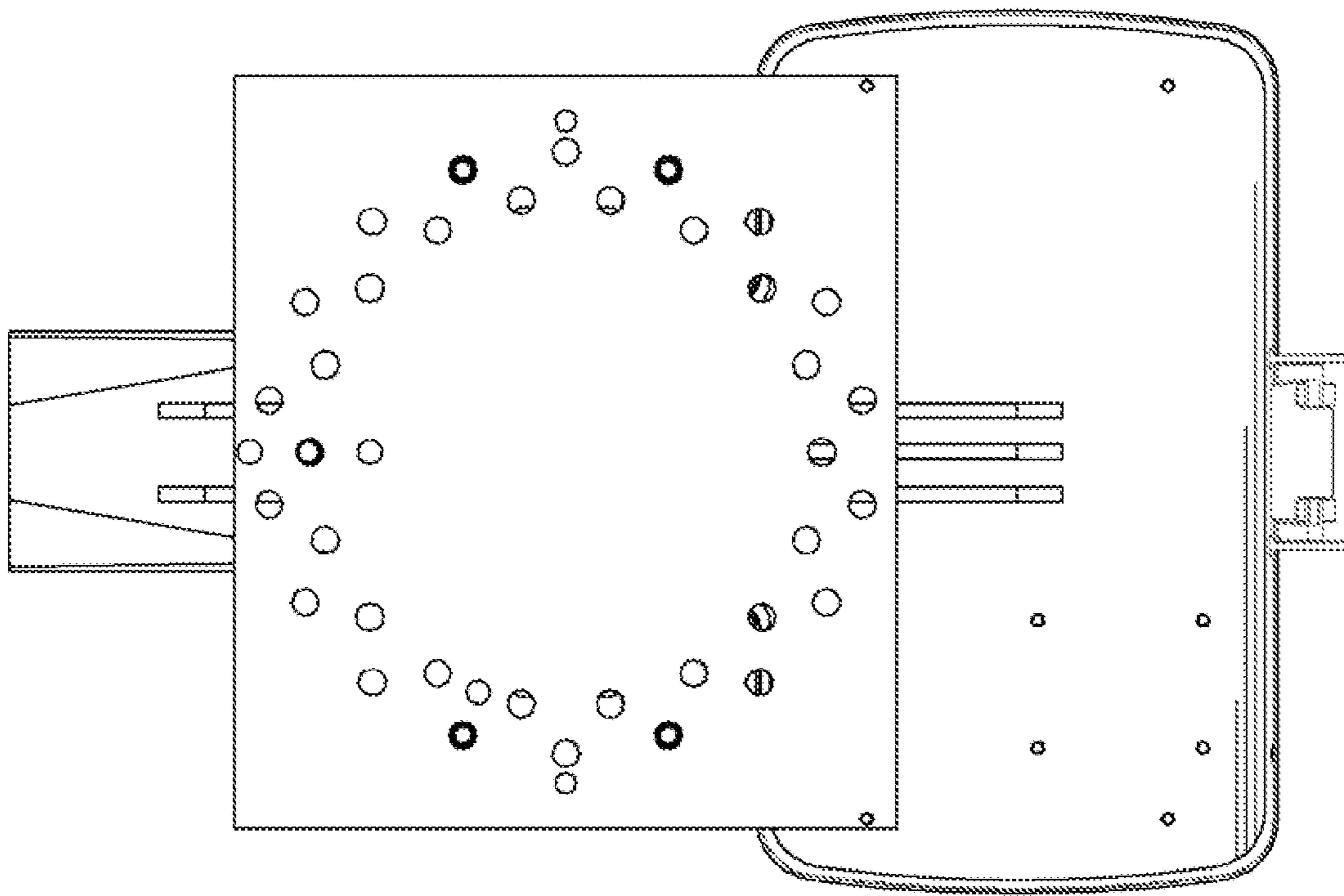


FIG. 7