



US00D616591S

(12) **United States Design Patent**
Yang

(10) **Patent No.:** **US D616,591 S**

(45) **Date of Patent:** **** May 25, 2010**

(54) **LAMP**

(76) Inventor: **Roger Yang**, 83, Zuojhen Vil., Zuojhen Township, Zuojhen, Tainan County (TW)

(**) Term: **14 Years**

(21) Appl. No.: **29/340,192**

(22) Filed: **Jul. 15, 2009**

(51) **LOC (9) Cl.** **26-05**

(52) **U.S. Cl.** **D26/65; D26/66**

(58) **Field of Classification Search** D26/61-65,
D26/107; 362/269, 275, 285, 371, 410, 413,
362/414, 418, 419, 426, 427

See application file for complete search history.

(56) **References Cited**

U.S. PATENT DOCUMENTS

D158,617	S	*	5/1950	Rosenberg	D26/63
3,345,024	A	*	10/1967	Victor	248/122.1
D245,874	S	*	9/1977	Lap	D26/54
4,280,172	A	*	7/1981	Krogsrud	362/269
D269,297	S	*	6/1983	Lebowitz	D26/65
D322,863	S	*	12/1991	Chin-Song	D26/65
5,084,810	A	*	1/1992	Huang	362/410

D411,638	S	*	6/1999	Schaak et al.	D26/62
D469,202	S	*	1/2003	Tsai	D26/65
D480,827	S	*	10/2003	Hsieh	D26/108
D506,018	S	*	6/2005	Campo	D26/62
7,048,417	B1	*	5/2006	Faure	362/413

* cited by examiner

Primary Examiner—Clare E Heflin

(74) *Attorney, Agent, or Firm*—Alan Kamrath; Kamrath & Associates PA

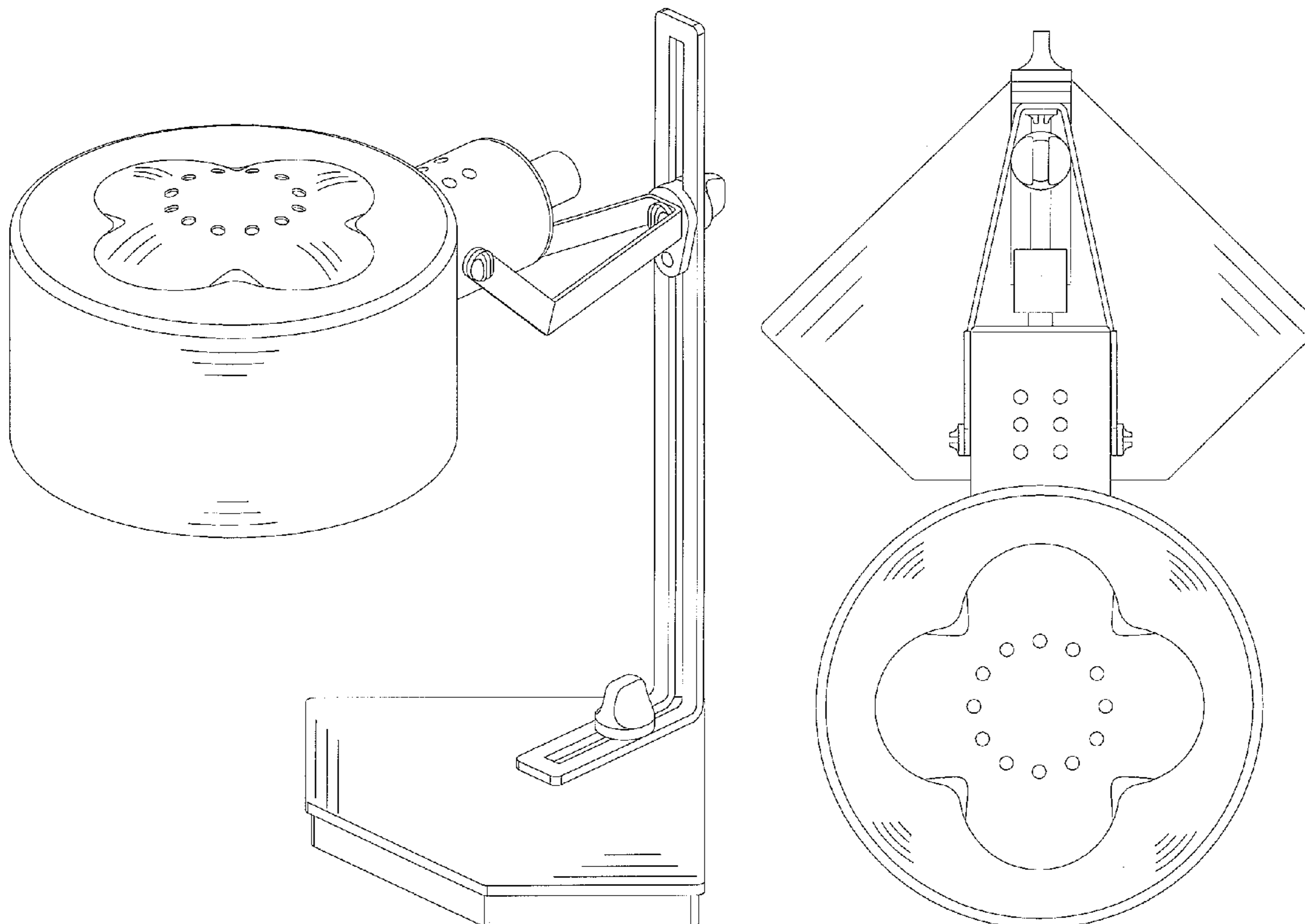
(57) **CLAIM**

The ornamental design for a lamp, as shown and described.

DESCRIPTION

FIG. 1 is a perspective view of a lamp showing my design;
 FIG. 2 is a front elevational view thereof;
 FIG. 3 is a rear elevational view thereof;
 FIG. 4 is a left side elevational view thereof;
 FIG. 5 is a right side elevational view thereof;
 FIG. 6 is a top plan view thereof; and,
 FIG. 7 is a bottom plan view thereof.

1 Claim, 7 Drawing Sheets



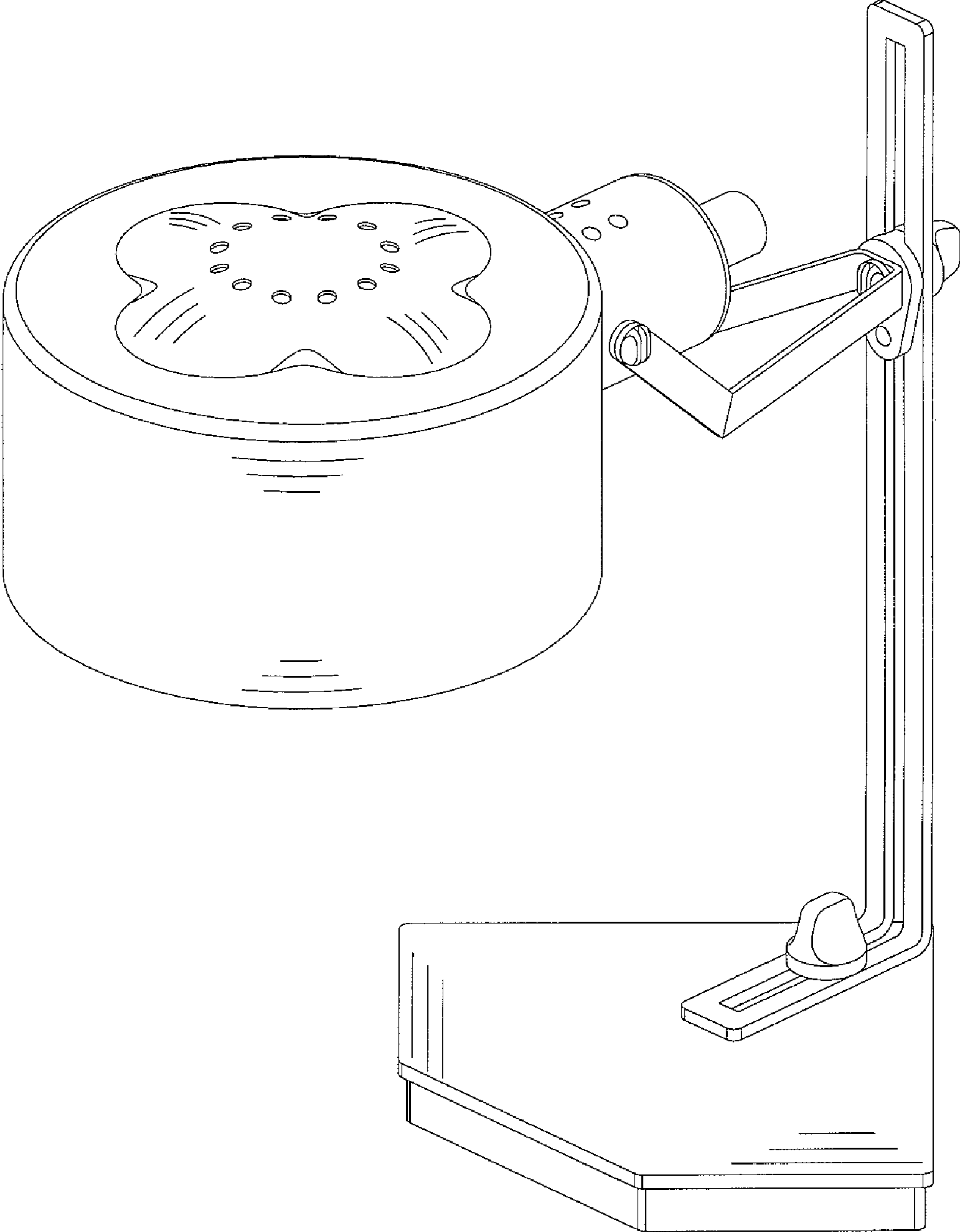


FIG. 1

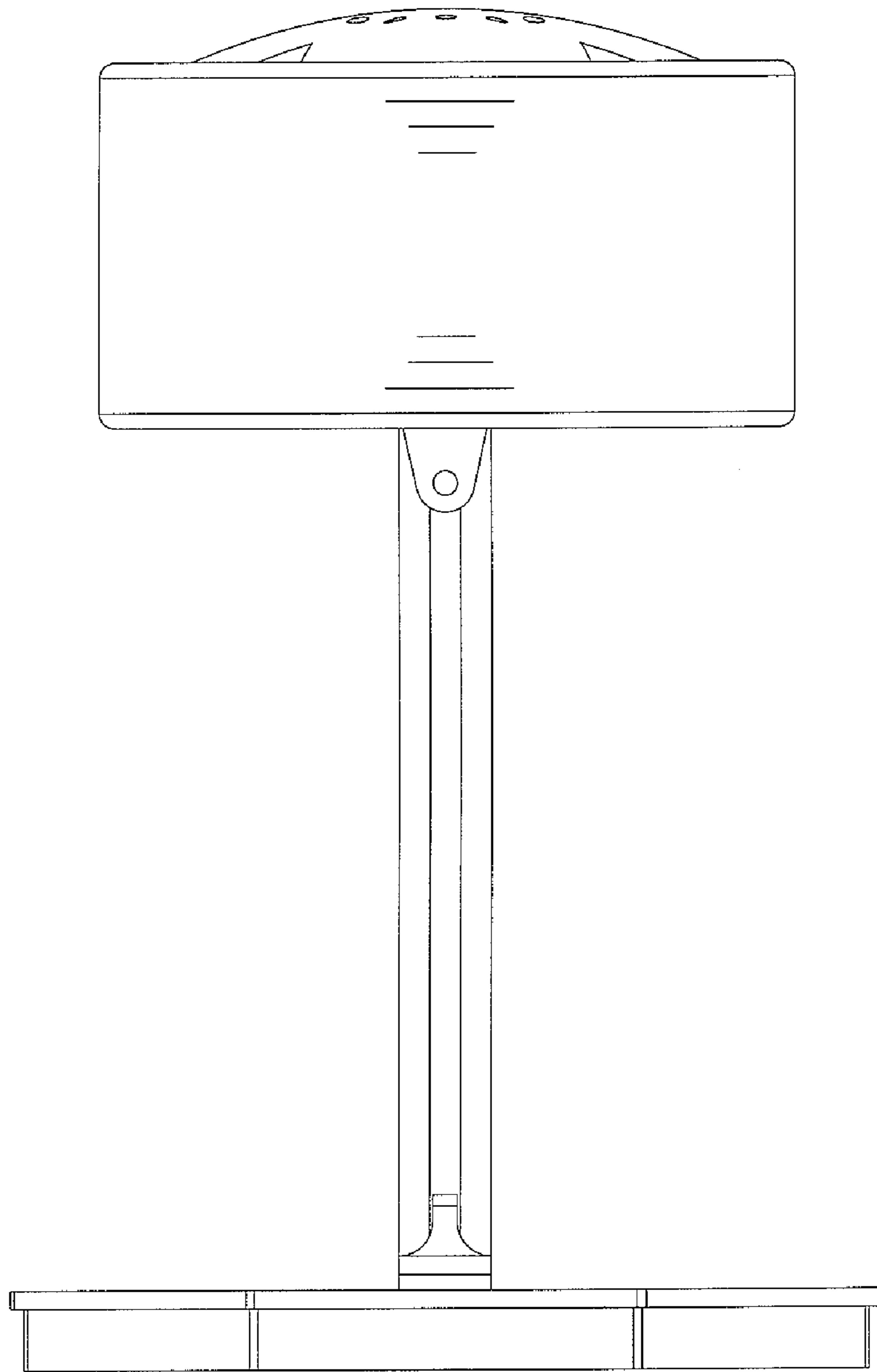


FIG. 2

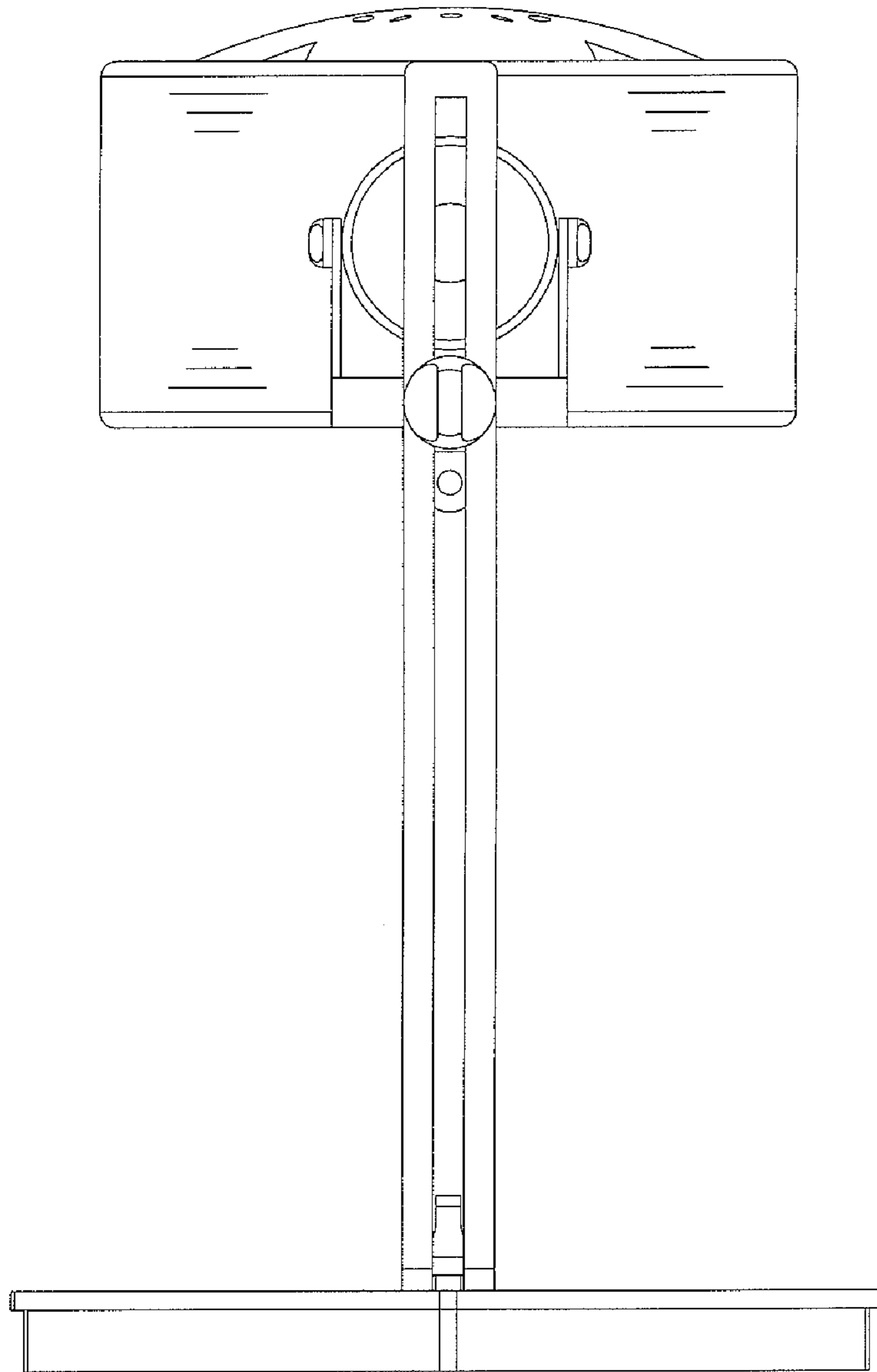


FIG. 3

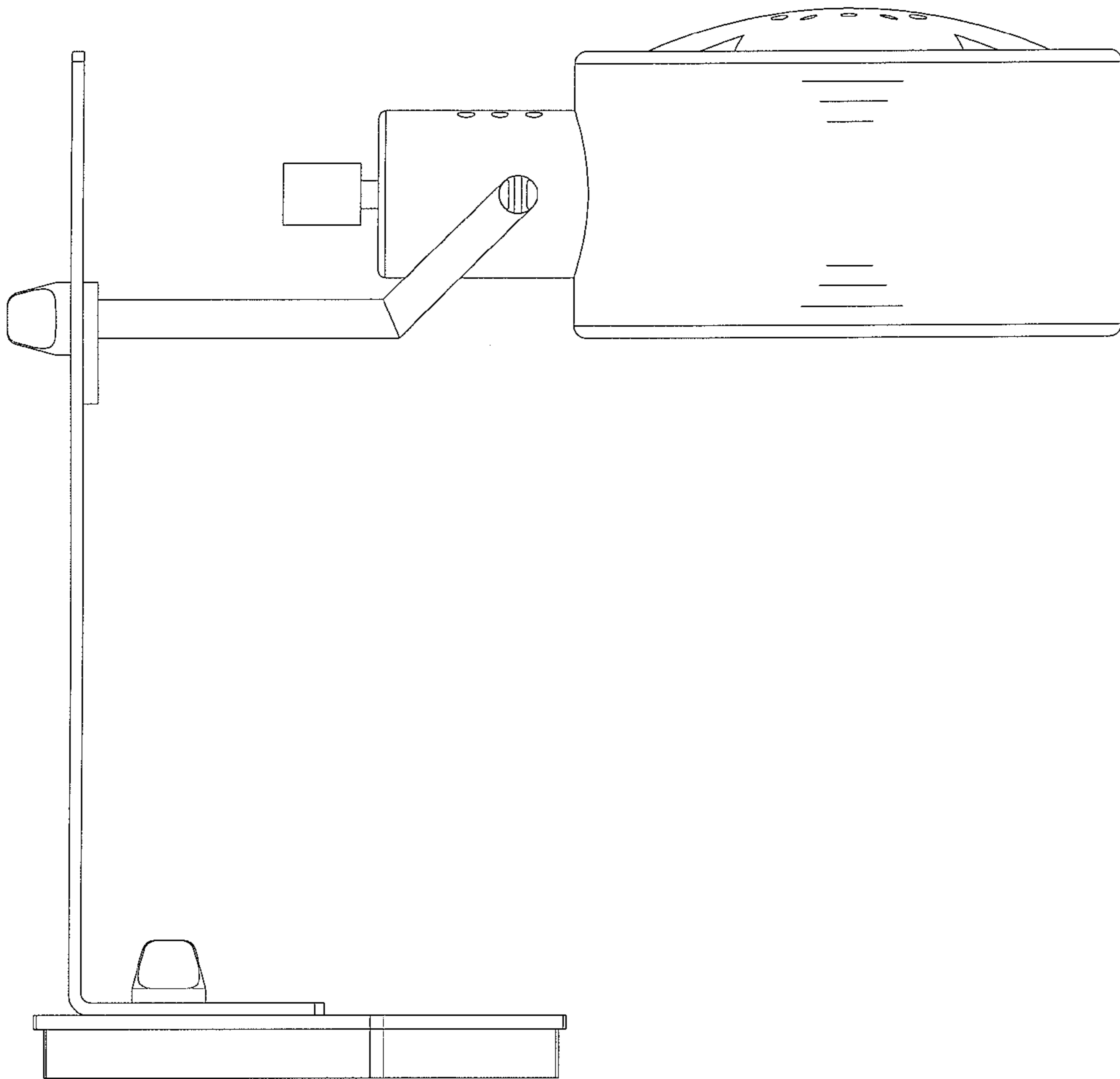


FIG. 4

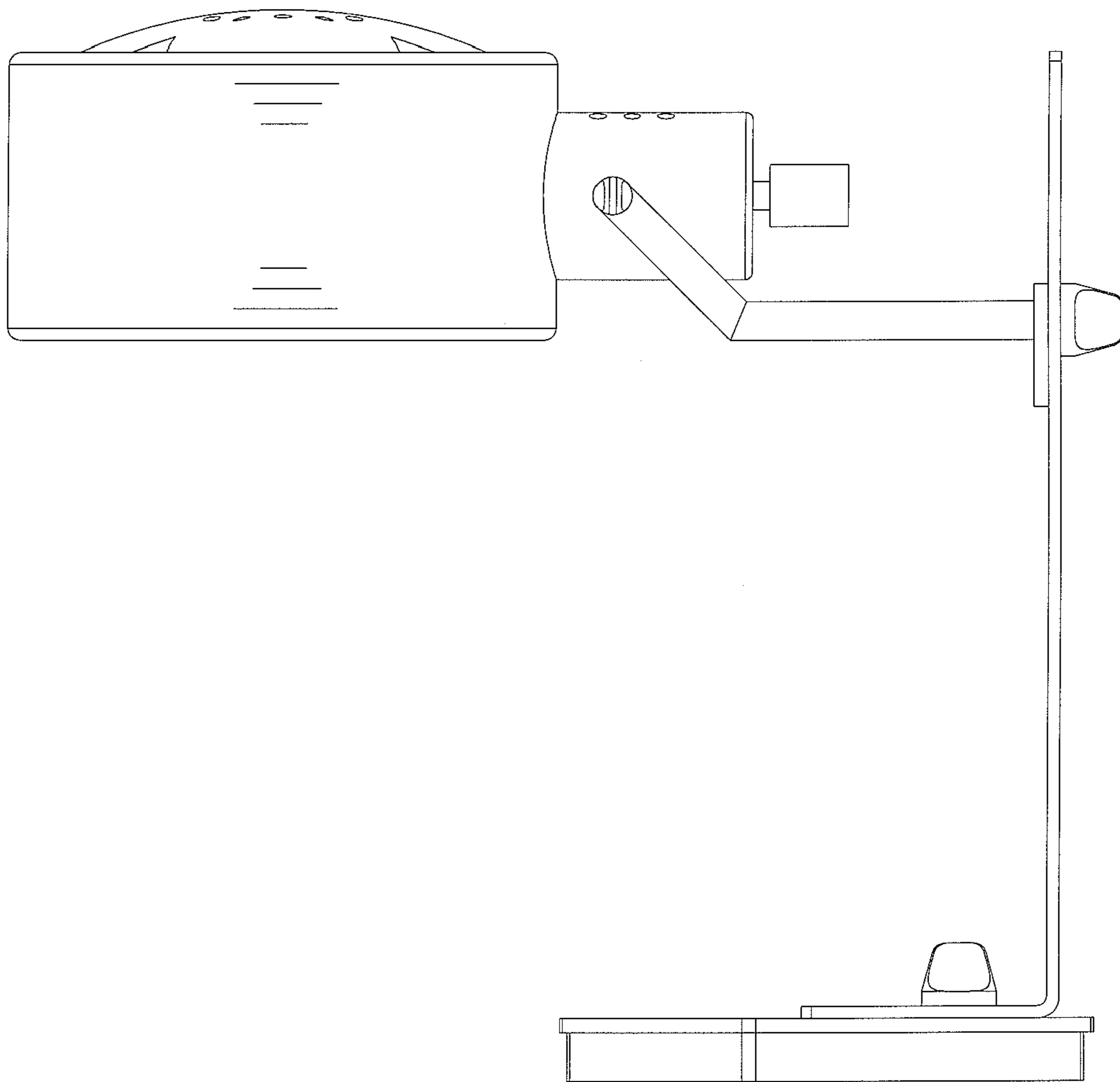


FIG. 5

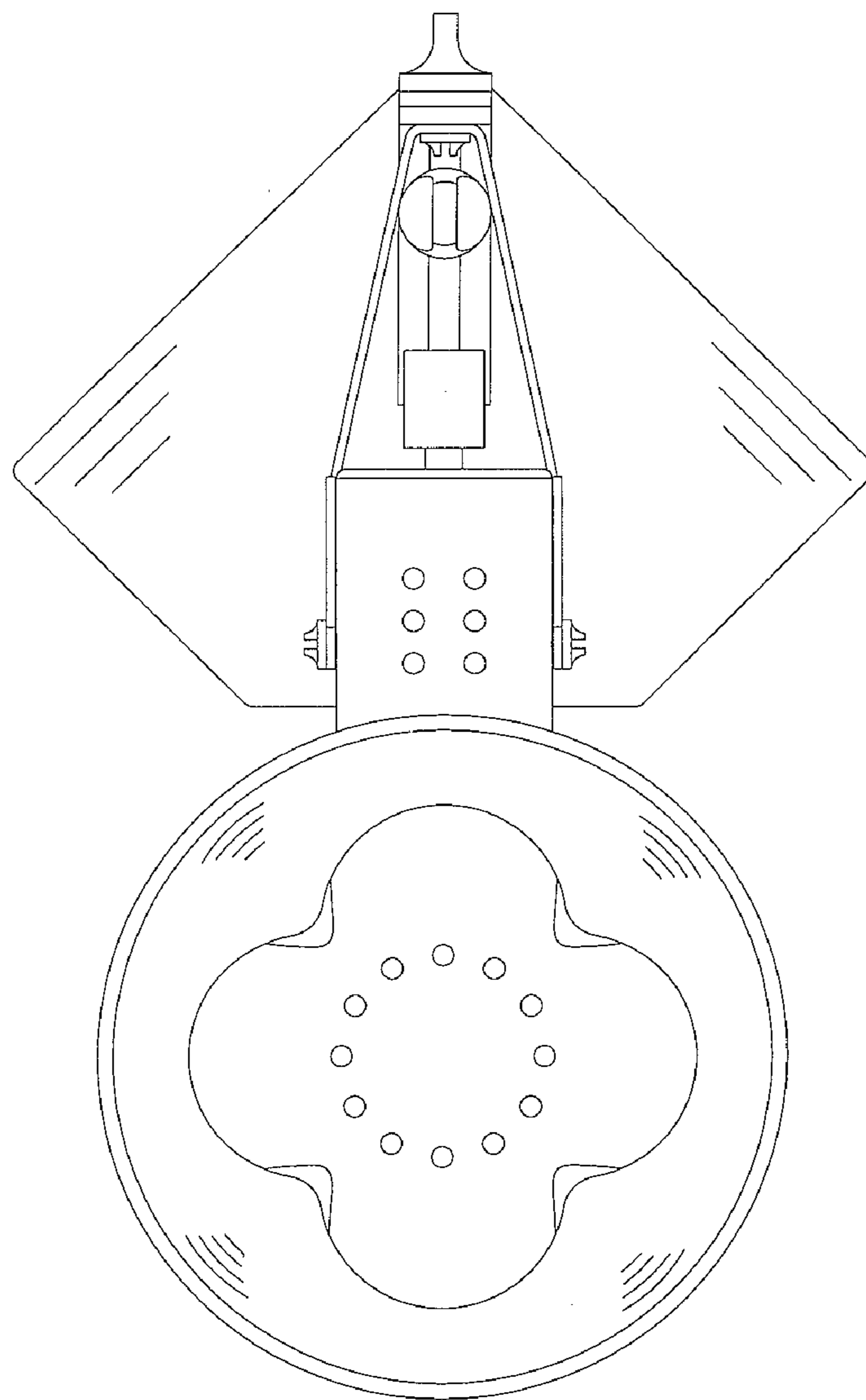


FIG. 6

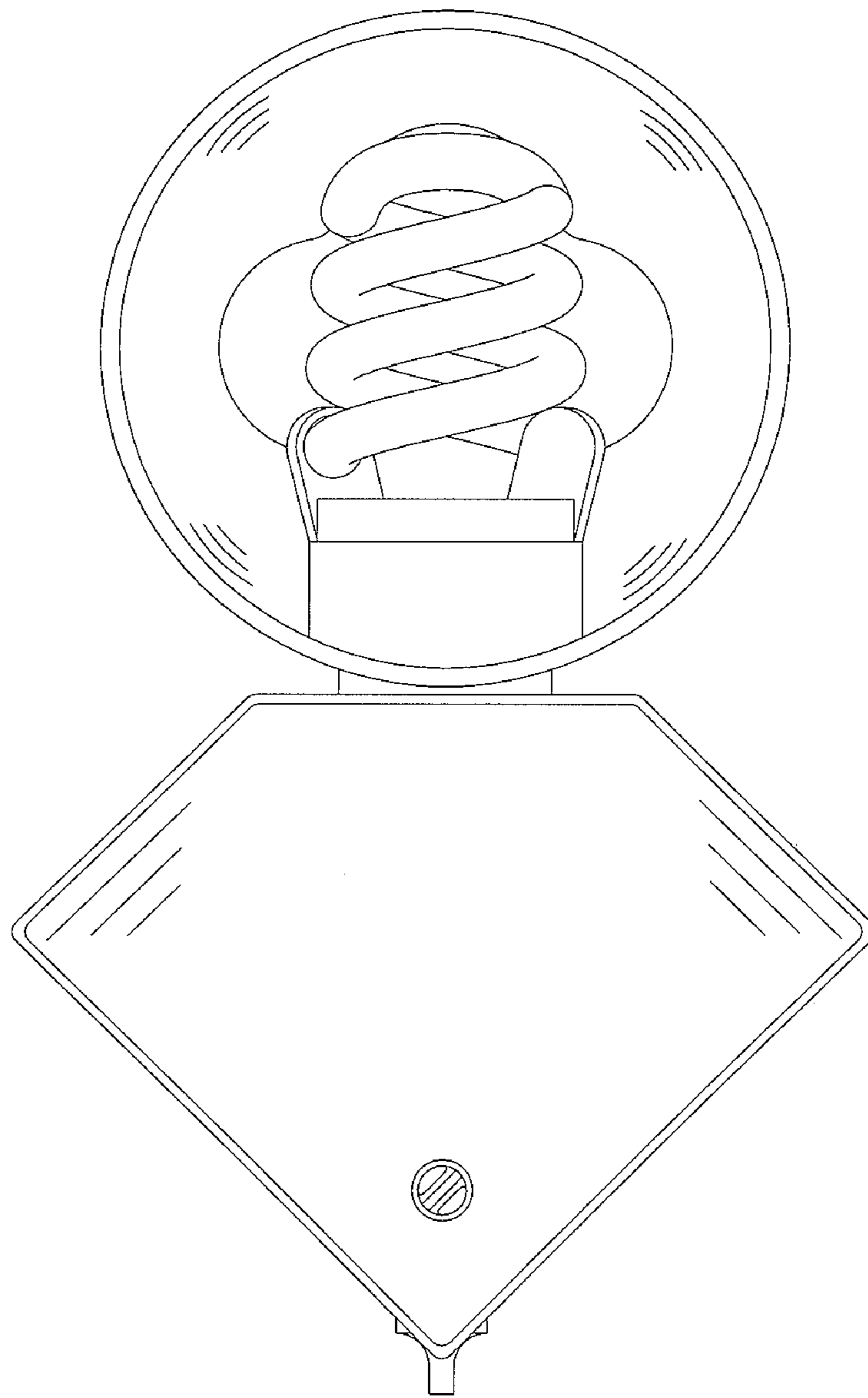


FIG. 7