



US00D616590S

(12) **United States Design Patent**
Huang et al.

(10) **Patent No.:** **US D616,590 S**
(45) **Date of Patent:** **** May 25, 2010**

(54) **ILLUMINATING APPARATUS**

(75) Inventors: **Zheng-Jay Huang**, Miao-Li Hsien
(TW); **Yu-Pin Liu**, Miao-Li Hsien (TW)

(73) Assignee: **Foxsemicon Integrated Technology, Inc.**, Chu-Nan, Miao-Li Hsien (TW)

(**) Term: **14 Years**

(21) Appl. No.: **29/346,664**

(22) Filed: **Nov. 4, 2009**

(30) **Foreign Application Priority Data**

Aug. 27, 2009 (CN) 2009 3 0313299.6

(51) **LOC (9) Cl.** **26-05**

(52) **U.S. Cl.** **D26/63**

(58) **Field of Classification Search** D26/61-65,
D26/107; 362/269, 275, 285, 371, 410, 413,
362/414, 418, 419, 426, 427

See application file for complete search history.

(56) **References Cited**

U.S. PATENT DOCUMENTS

D205,463	S	*	8/1966	Zelenko	D26/62
D215,336	S	*	9/1969	Portman et al.	D26/65
3,790,773	A	*	2/1974	Sapper	362/401
D313,083	S	*	12/1990	Huang	D26/65
D333,360	S	*	2/1993	Huang	D26/65
D341,671	S	*	11/1993	Kuo	D26/65
D341,899	S	*	11/1993	Rhinn	D26/65

5,299,112	A	*	3/1994	Nivette et al.	362/431
D386,273	S	*	11/1997	Yan	D26/63
D469,201	S	*	1/2003	De Bevilacqua	D26/65
D523,984	S	*	6/2006	Cai	D26/61
D571,032	S	*	6/2008	Chen	D26/61
D590,977	S	*	4/2009	Mullen	D26/62

* cited by examiner

Primary Examiner—Clare E Heflin

(74) *Attorney, Agent, or Firm*—Raymond J. Crew

(57) **CLAIM**

The ornamental design for an illuminating apparatus, as shown.

DESCRIPTION

FIG. 1 is a perspective view of an illuminating apparatus in one operational state.

FIG. 2 is a front elevational view thereof.

FIG. 3 is a rear elevational view thereof.

FIG. 4 is a left-side, elevational view thereof.

FIG. 5 is a right-side, elevational view thereof.

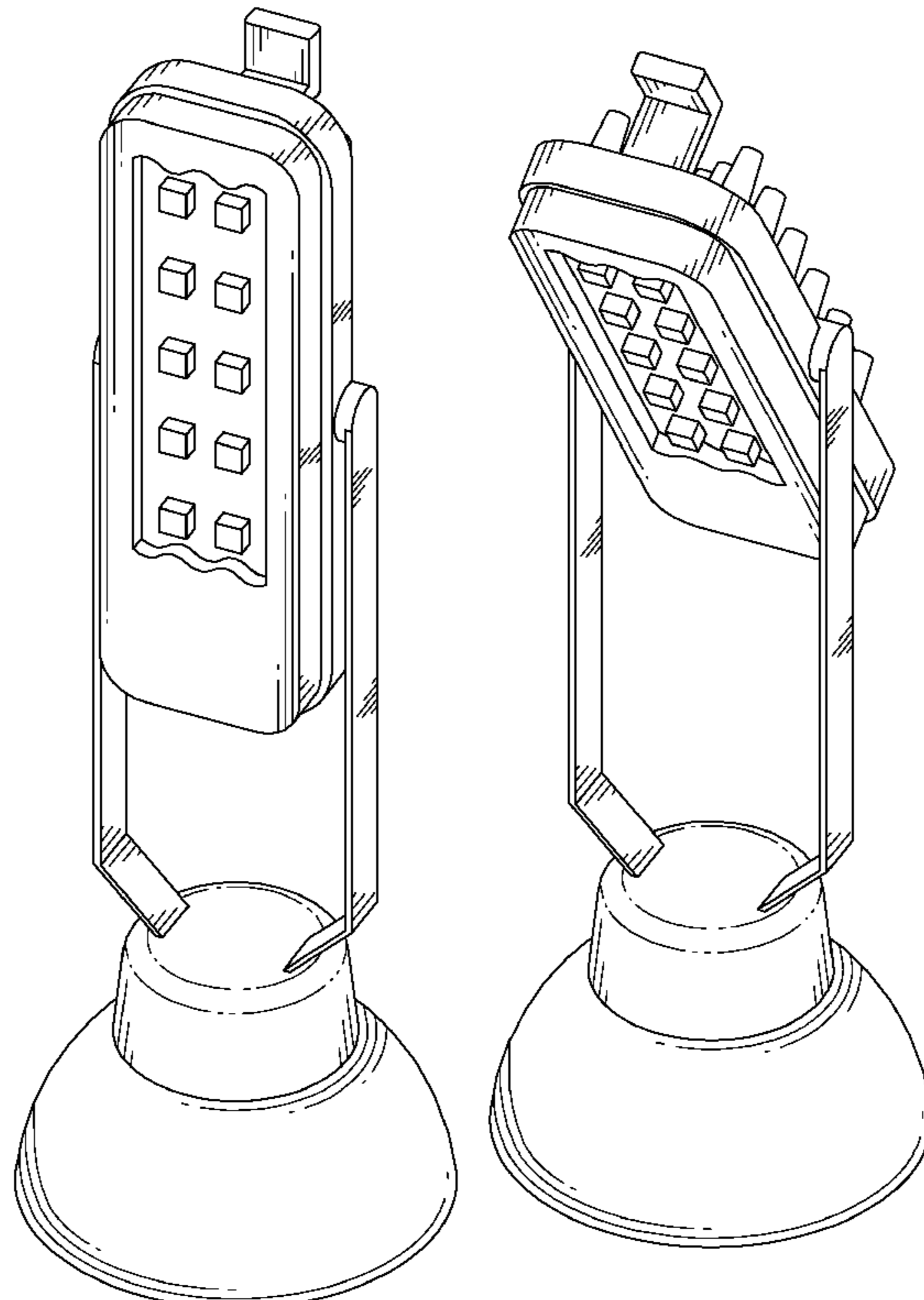
FIG. 6 is a top plan view thereof.

FIG. 7 is a bottom plan view thereof.

FIG. 8 is a perspective view of the illuminating apparatus in another operational state; and,

FIG. 9 is a perspective view of the illuminating apparatus in still another operational state.

1 Claim, 9 Drawing Sheets



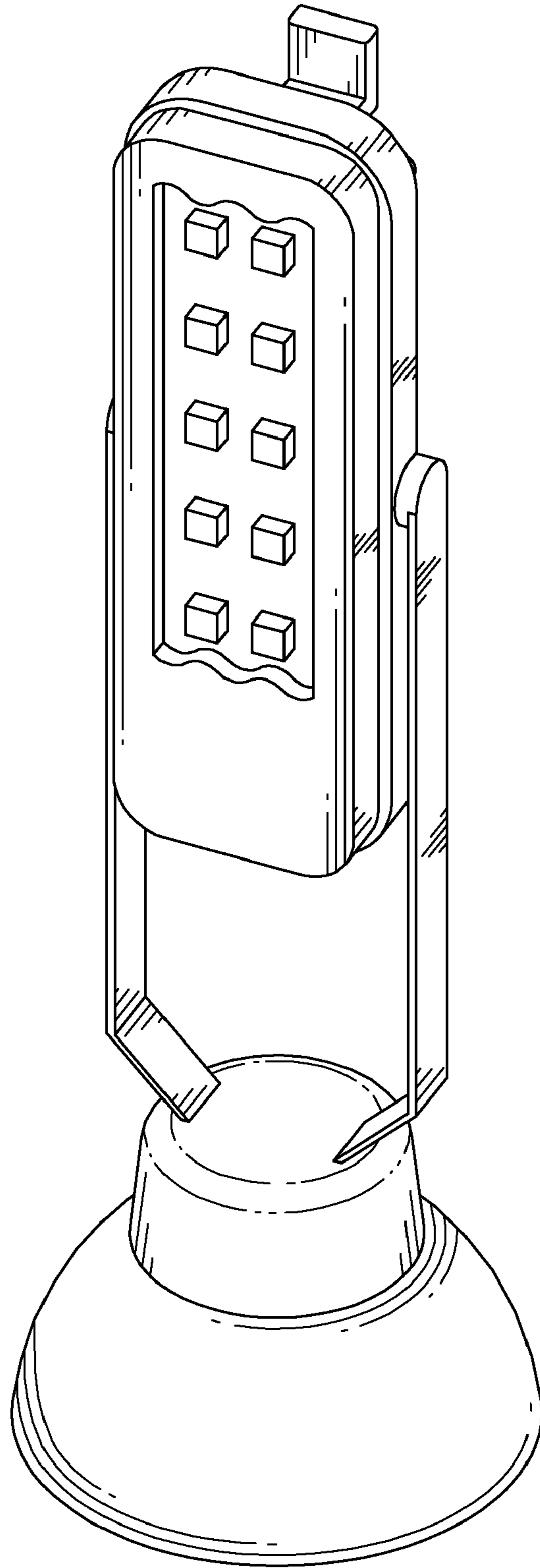


FIG. 1

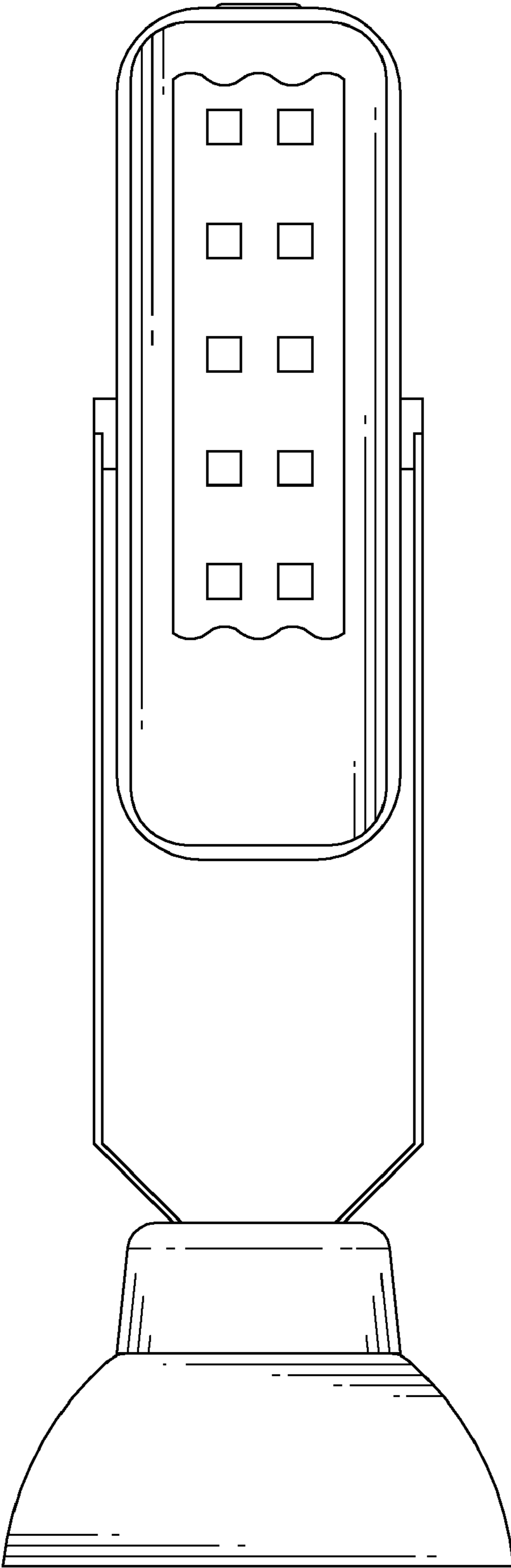


FIG. 2

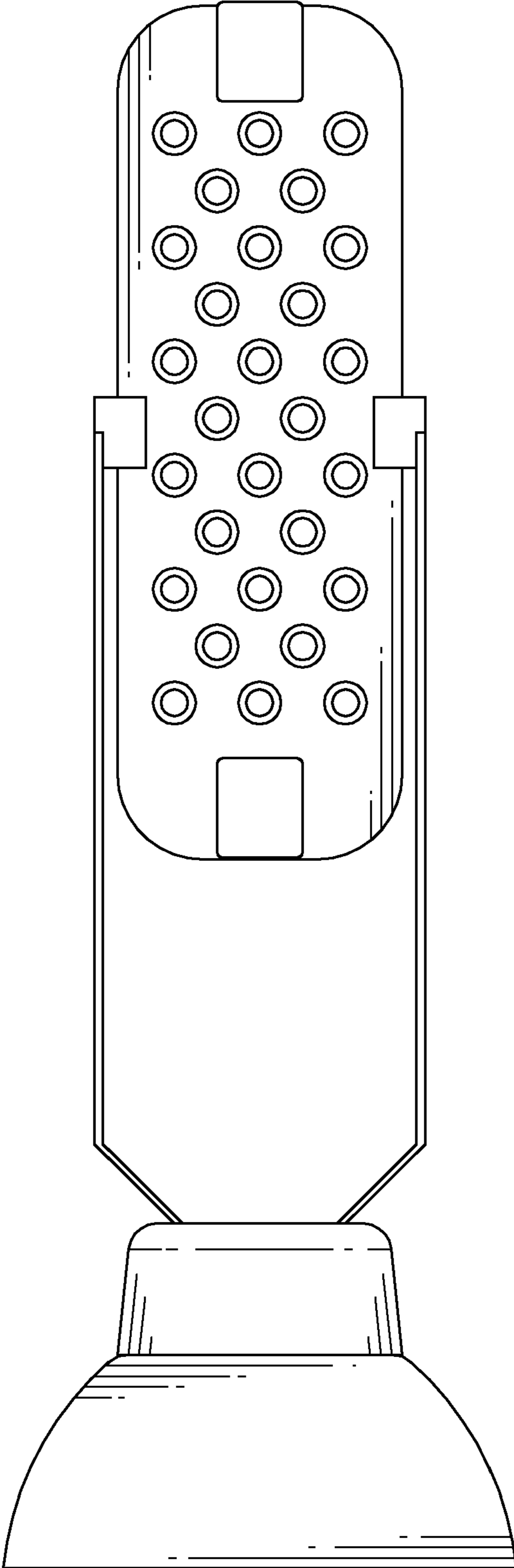


FIG. 3

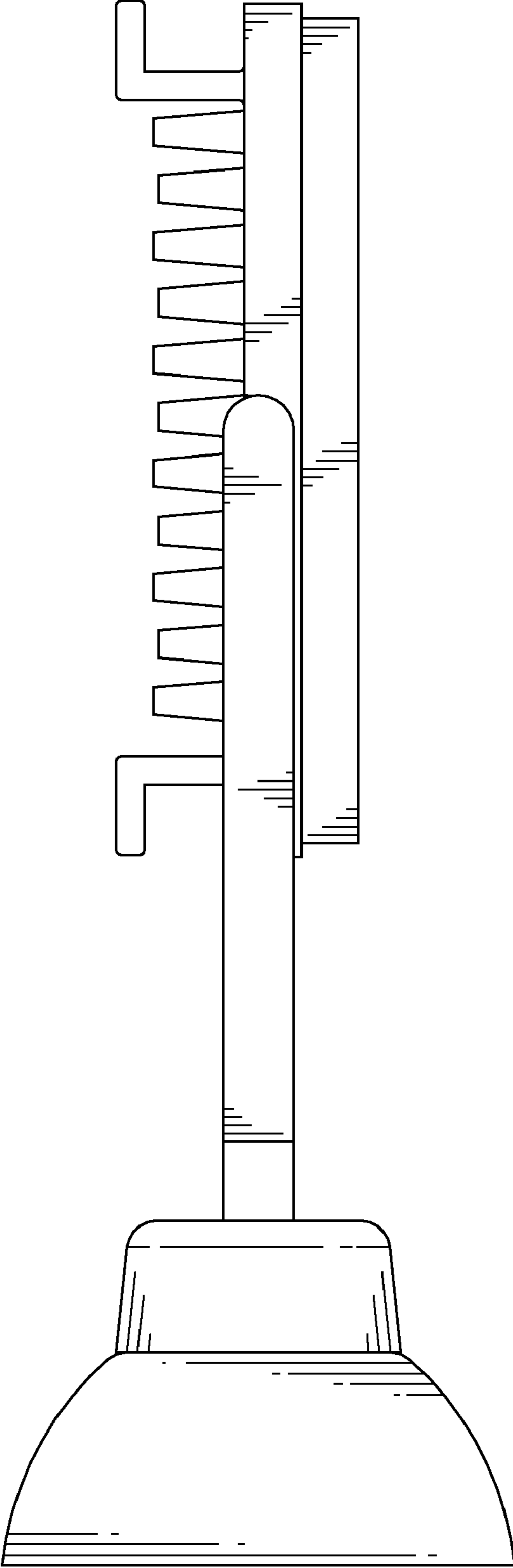


FIG. 4

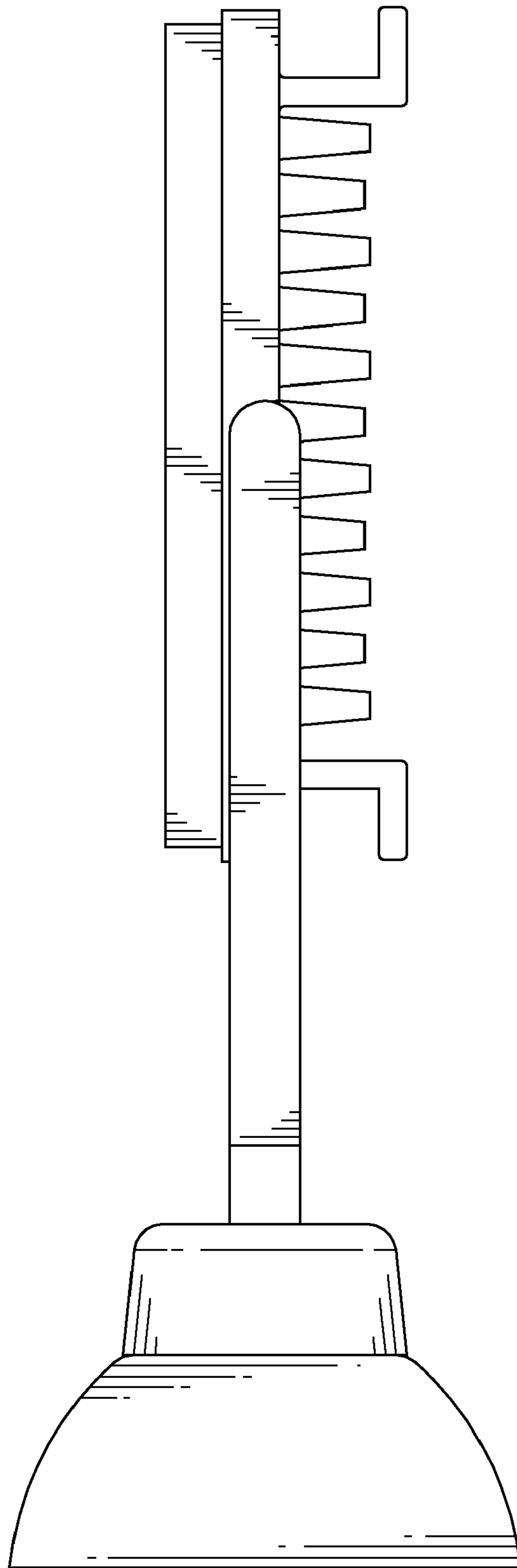


FIG. 5

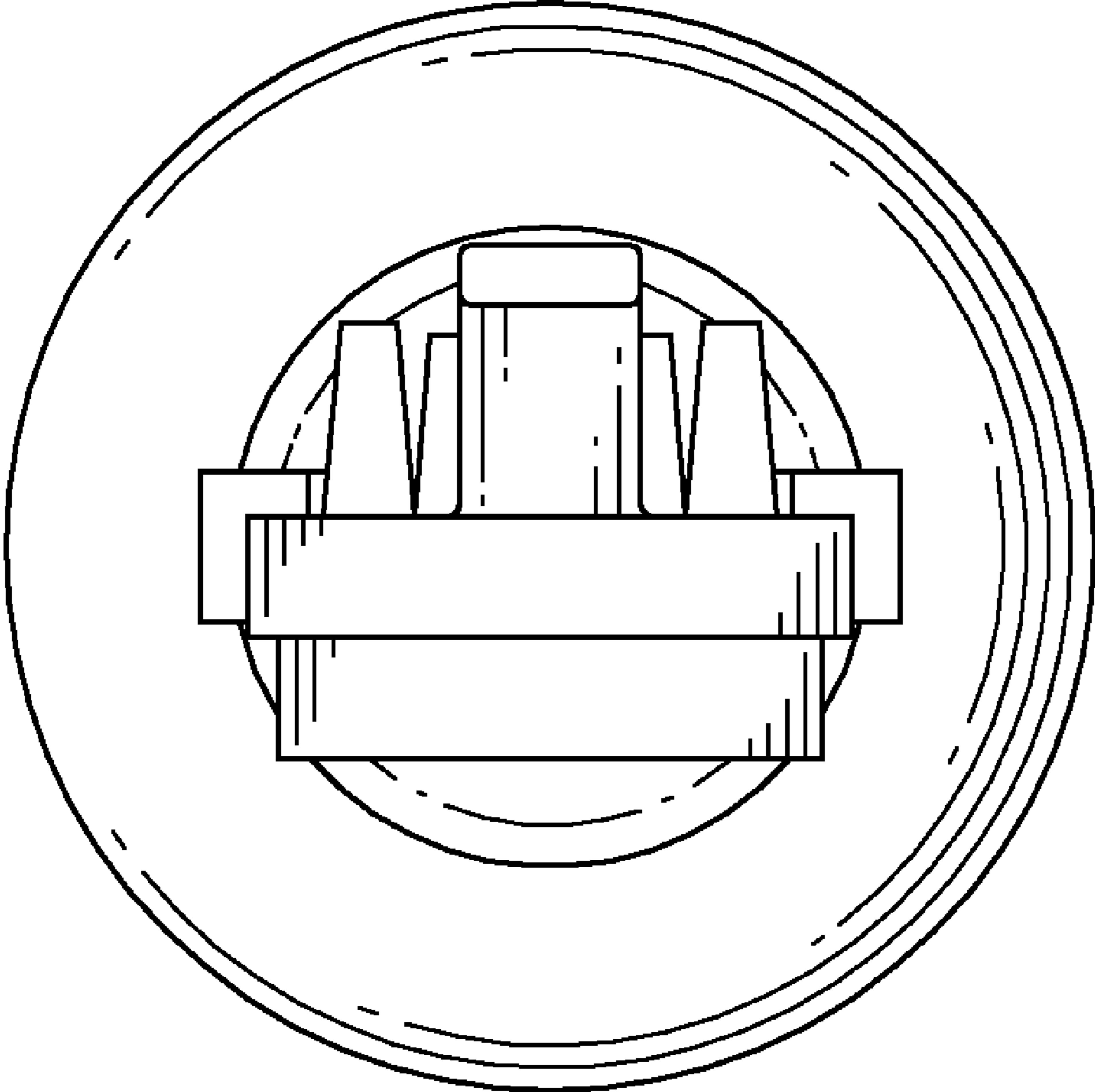


FIG. 6

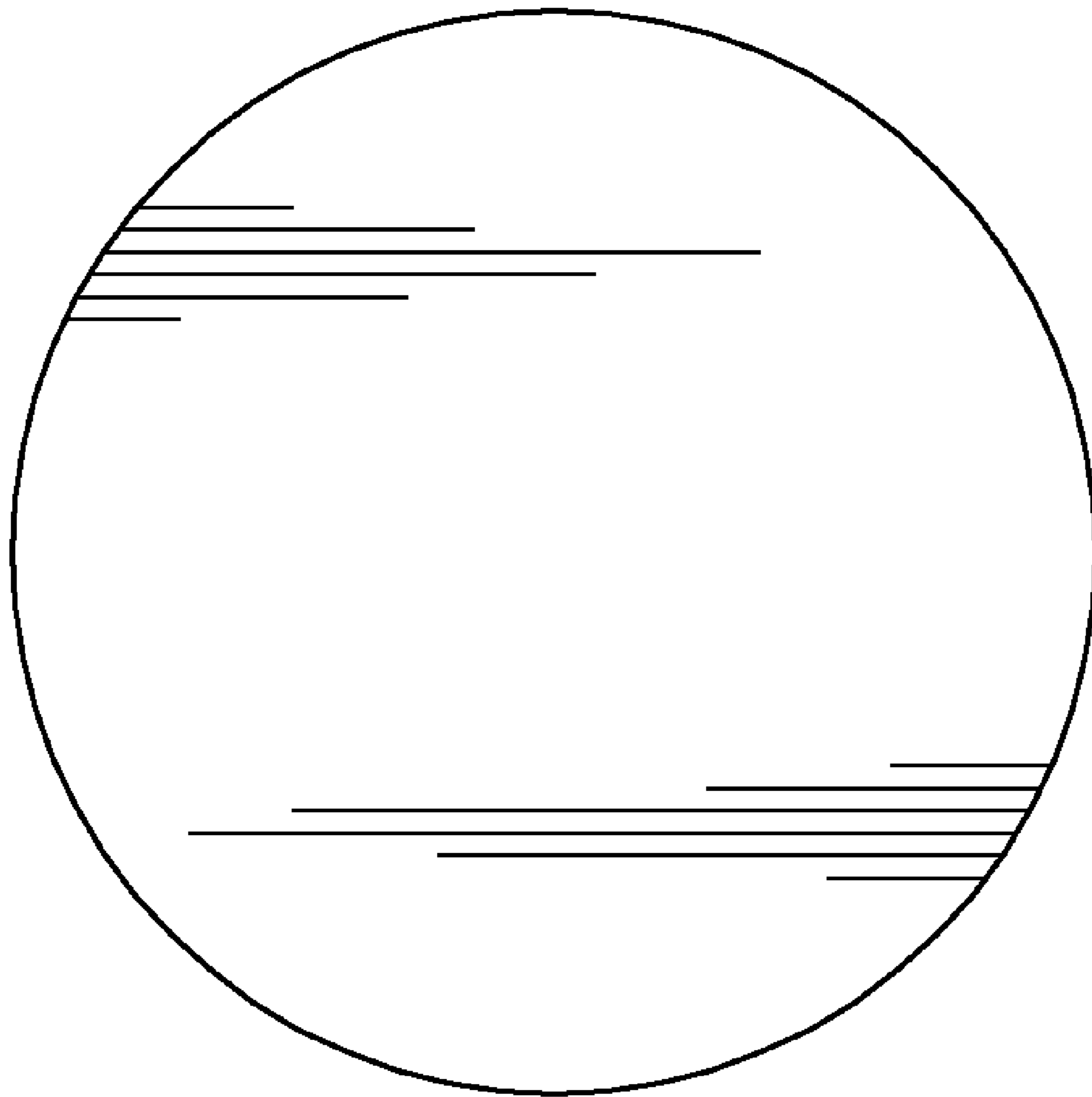


FIG. 7

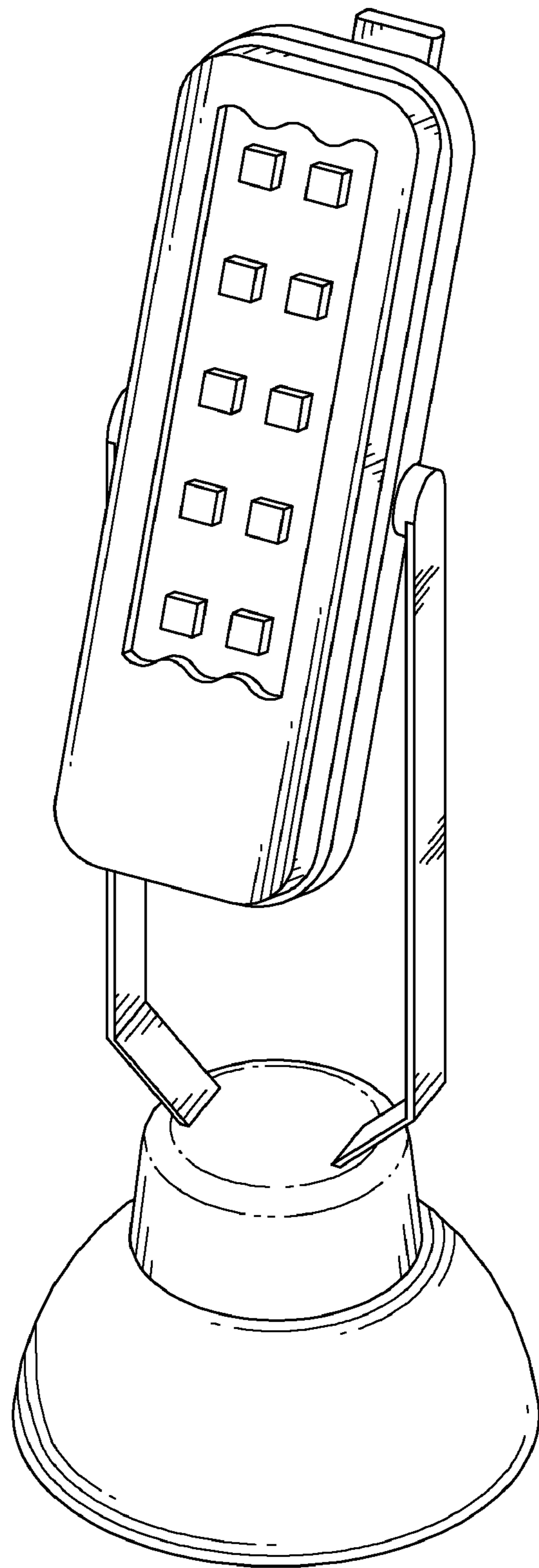


FIG. 8

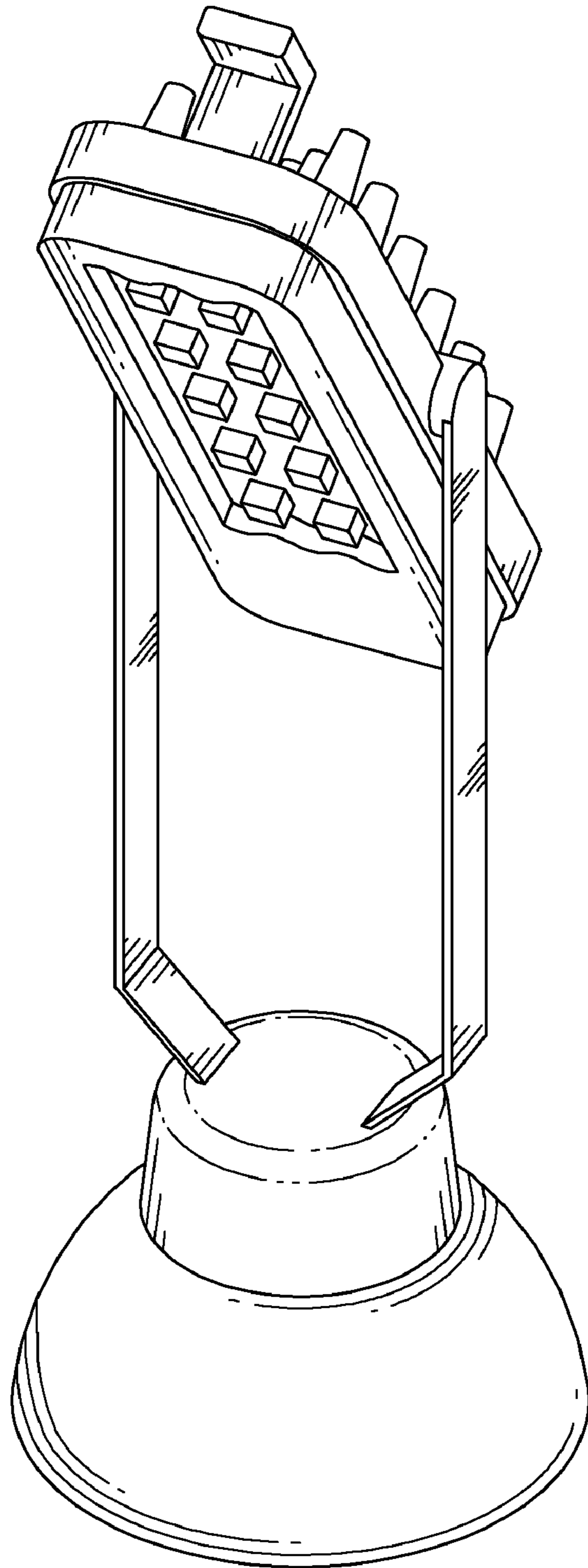


FIG. 9