



US00D616589S

(12) **United States Design Patent**
Su

(10) **Patent No.:** **US D616,589 S**

(45) **Date of Patent:** **** May 25, 2010**

(54) **READING LAMP**

(75) Inventor: **Xiao-Guang Su**, Shenzhen (CN)

(73) Assignee: **Hon Hai Precision Industry Co., Ltd.**,
Tu-Cheng, Taipei Hsien (TW)

(**) Term: **14 Years**

(21) Appl. No.: **29/346,486**

(22) Filed: **Nov. 2, 2009**

(30) **Foreign Application Priority Data**

Jun. 12, 2009 (CN) 2009 3 0305950

(51) **LOC (9) Cl.** **26-05**

(52) **U.S. Cl.** **D26/63; D26/61**

(58) **Field of Classification Search** D26/61-65,
D26/107; 362/269, 275, 285, 371, 410, 413,
362/414, 418, 419, 426, 427

See application file for complete search history.

(56) **References Cited**

U.S. PATENT DOCUMENTS

D174,582 S *	4/1955	Landis	D26/63
D322,863 S *	12/1991	Chin-Song	D26/65
5,084,810 A *	1/1992	Huang	362/410
D333,360 S *	2/1993	Huang	D26/65
D333,880 S *	3/1993	Huang	D26/65
D375,378 S *	11/1996	Wang	D26/65

D397,469 S *	8/1998	Yumita et al.	D26/65
D405,205 S *	2/1999	Huang	D26/63
D408,577 S *	4/1999	Arndt	D26/107
D411,638 S *	6/1999	Schaak et al.	D26/62
D469,202 S *	1/2003	Tsai	D26/65
7,048,417 B1 *	5/2006	Faure	362/413
D580,578 S *	11/2008	Chien	D26/63

* cited by examiner

Primary Examiner—Clare E Heflin

(74) *Attorney, Agent, or Firm*—Frank R. Niranjan

(57) **CLAIM**

The ornamental design for a reading lamp, as shown.

DESCRIPTION

FIG. 1 is a perspective view of a reading lamp showing my design;

FIG. 2 is a front elevational view thereof;

FIG. 3 is a rear elevational view thereof;

FIG. 4 is a left side, elevational view thereof;

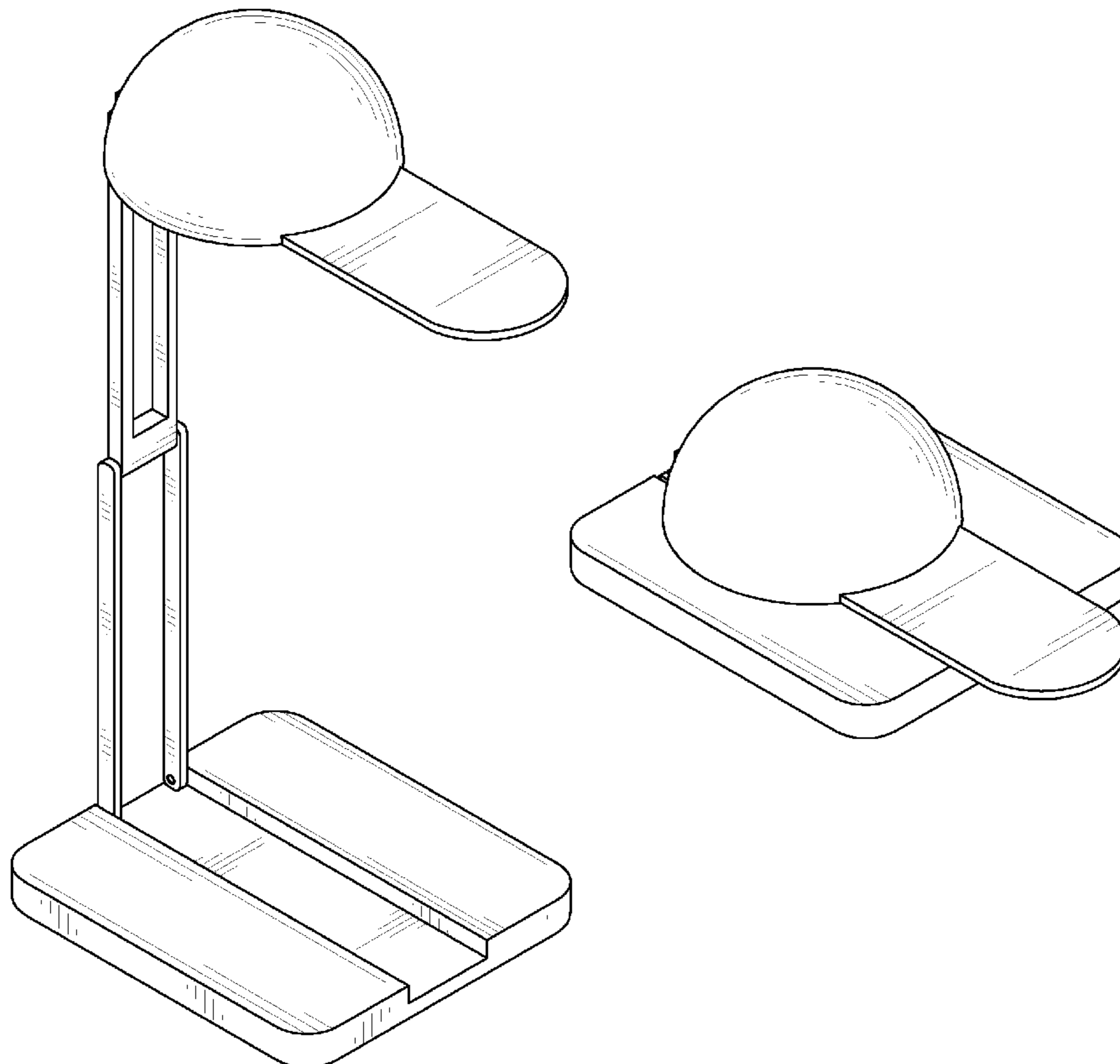
FIG. 5 is a right side, elevational view thereof;

FIG. 6 is a top plan view thereof;

FIG. 7 is a bottom plan view thereof; and,

FIG. 8 is a perspective view of the reading lamp in the folded position.

1 Claim, 8 Drawing Sheets



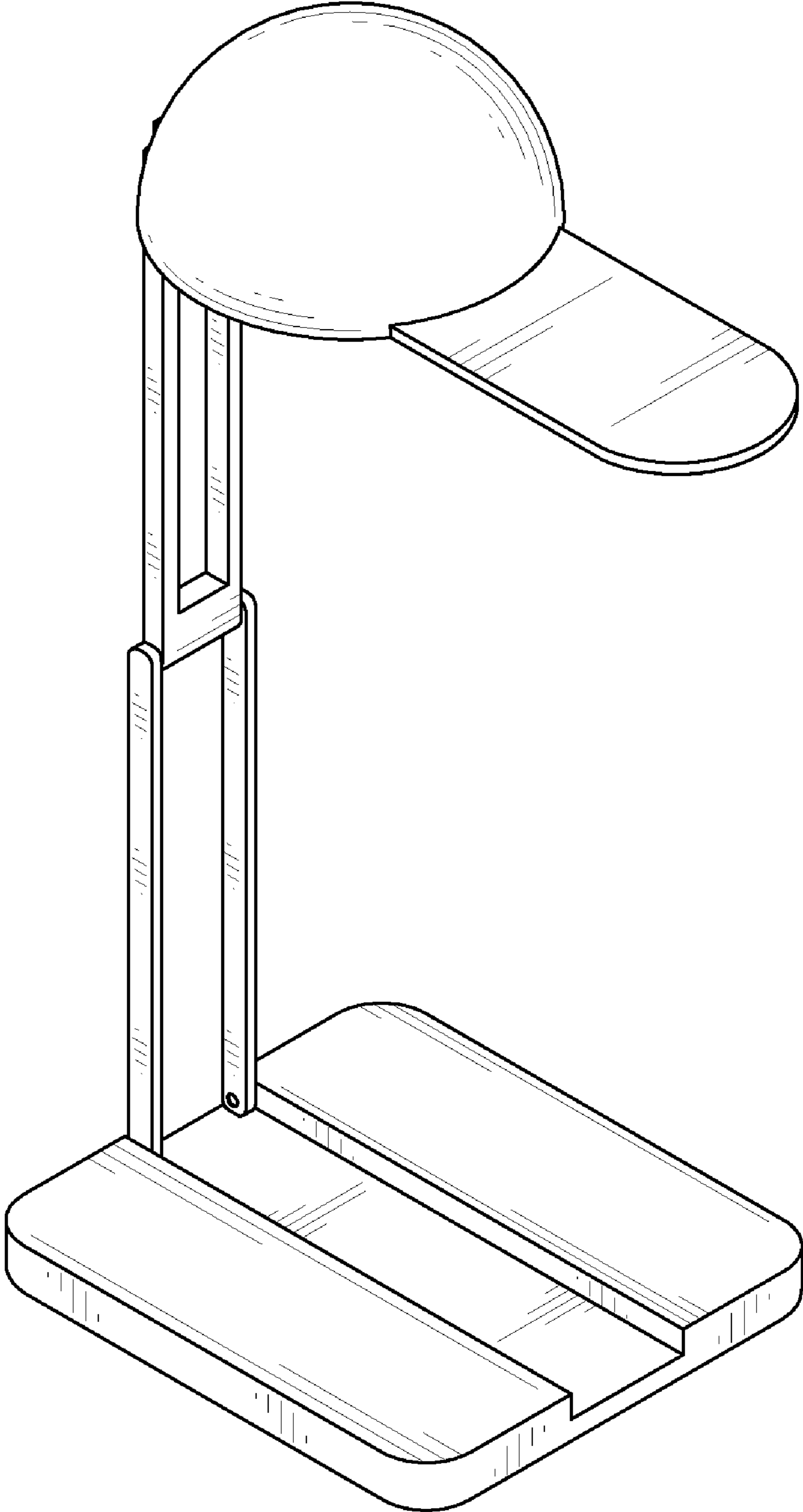


FIG. 1

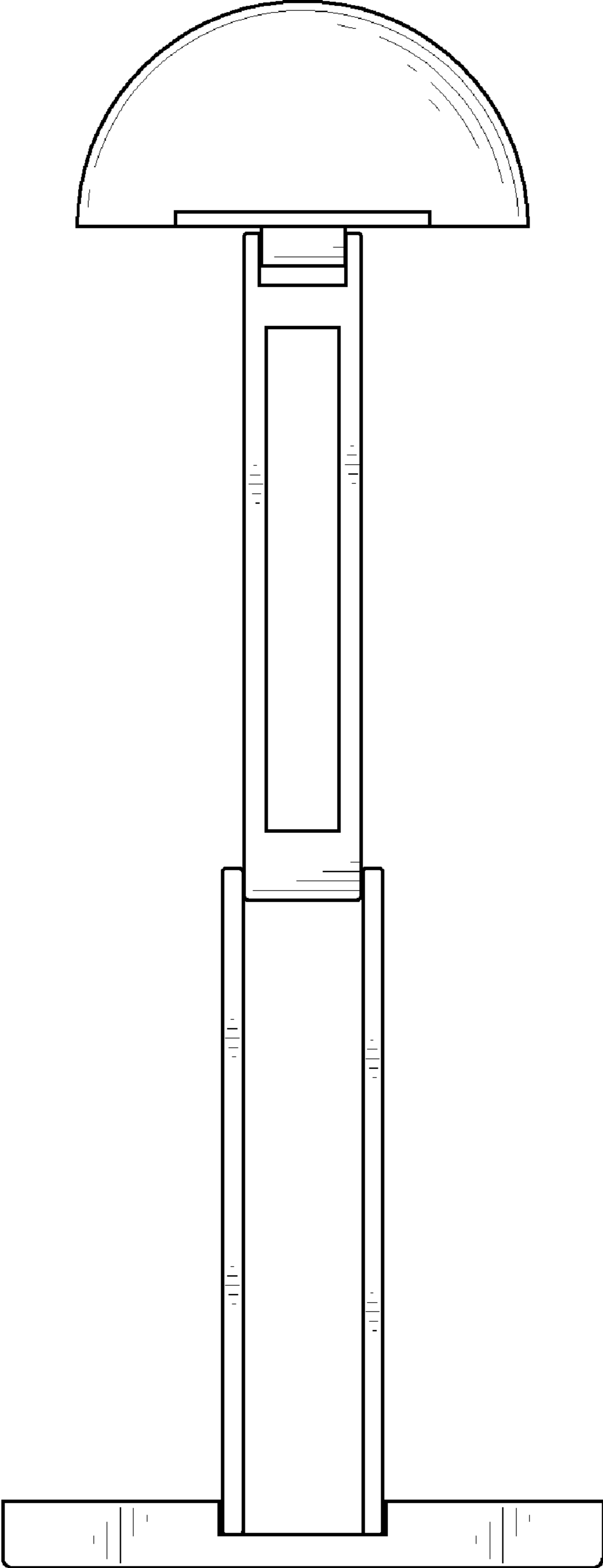


FIG. 2

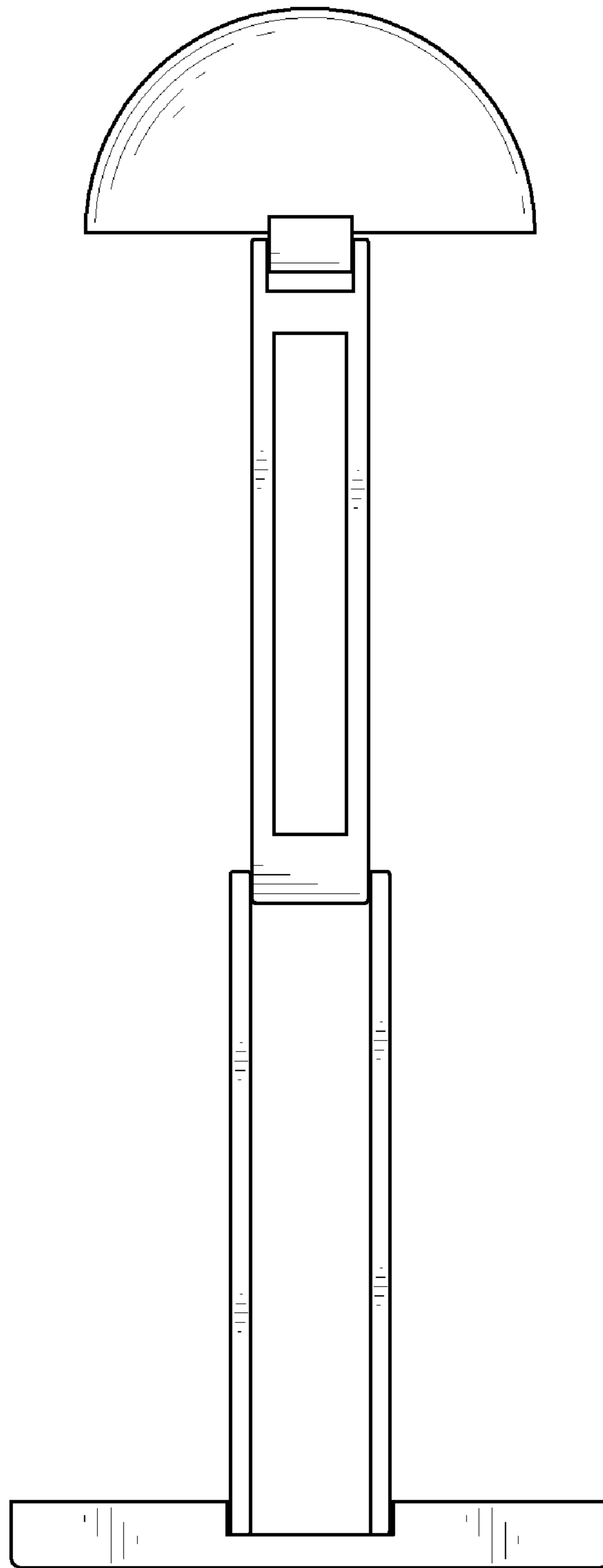


FIG. 3

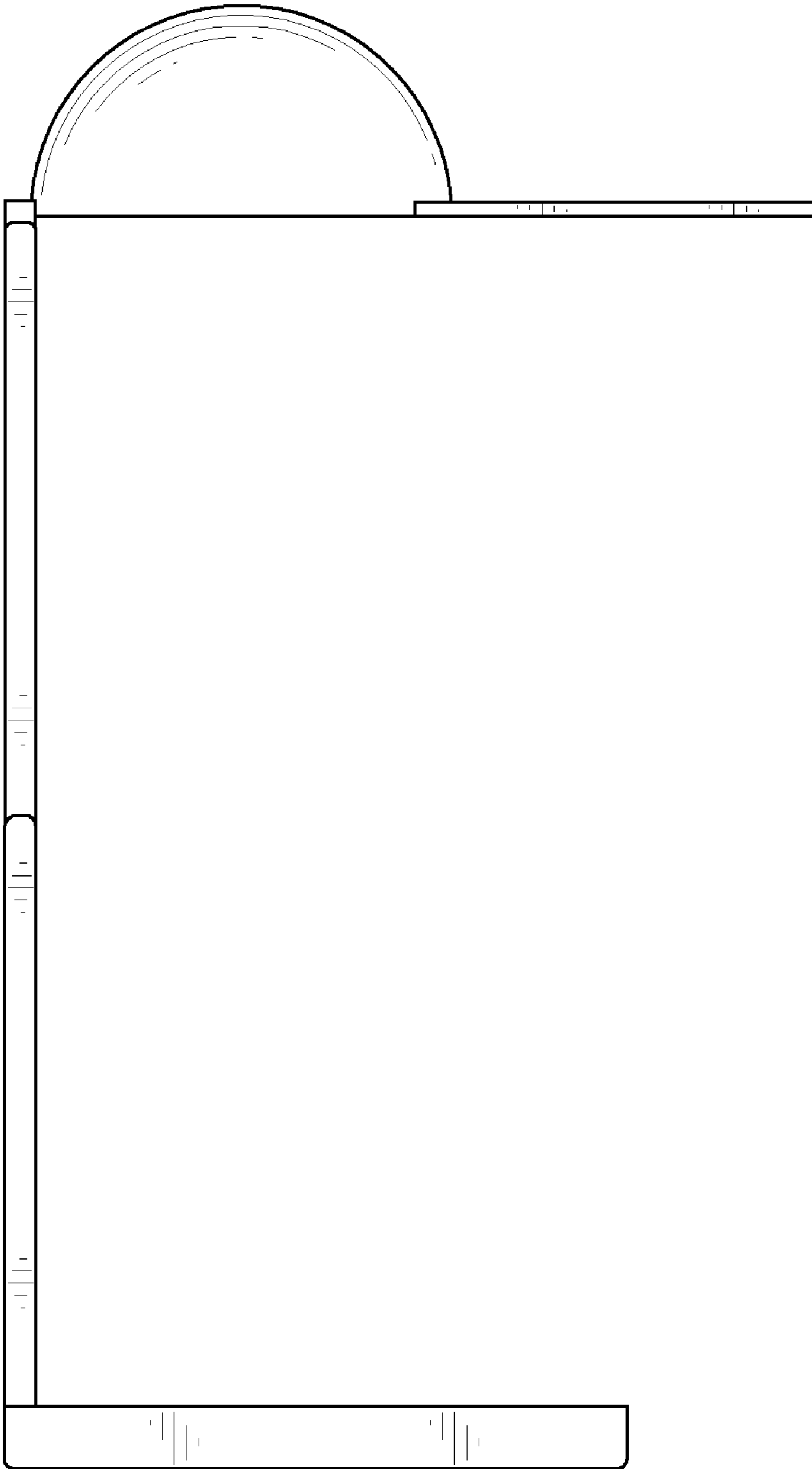


FIG. 4



FIG. 5

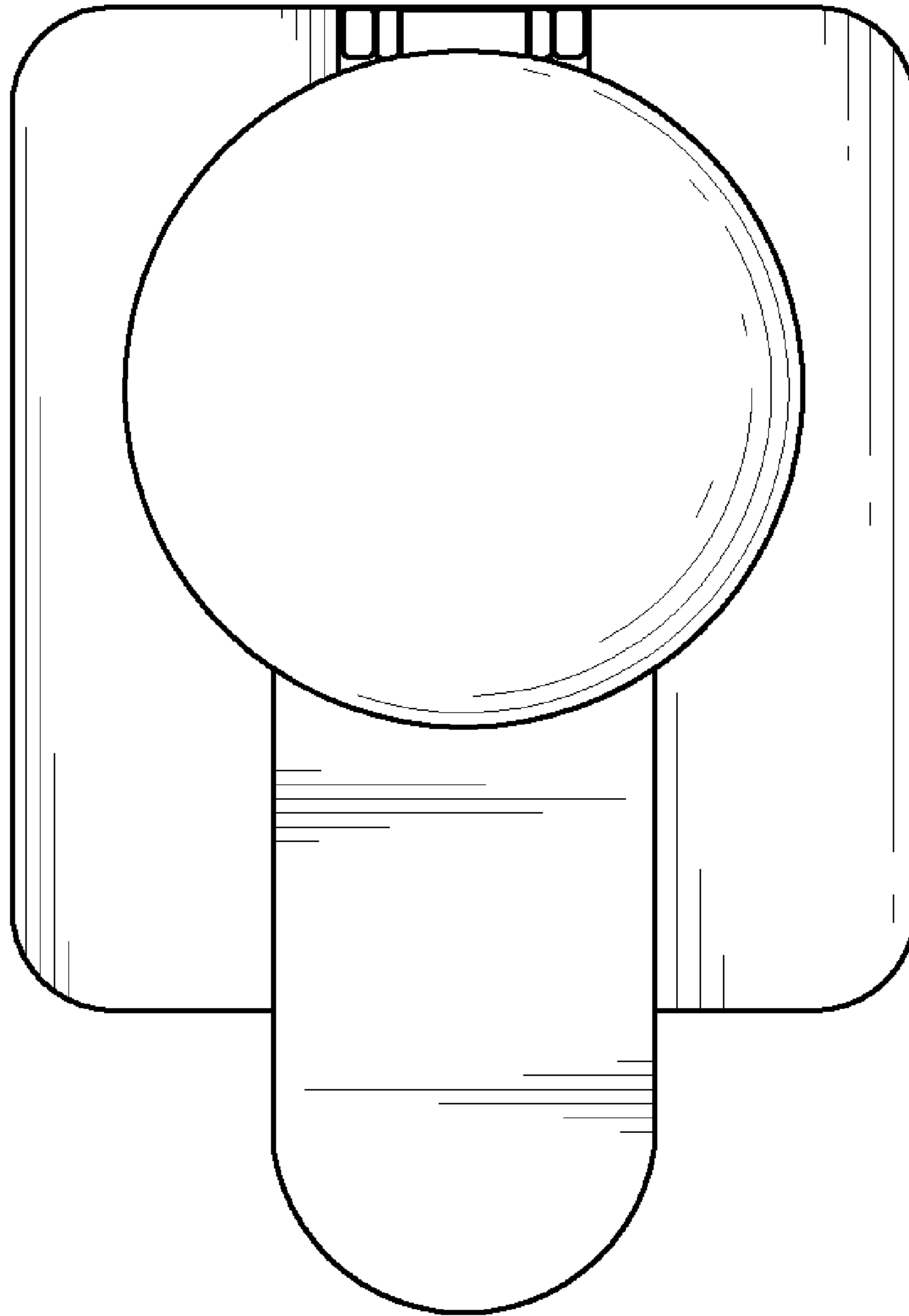


FIG. 6

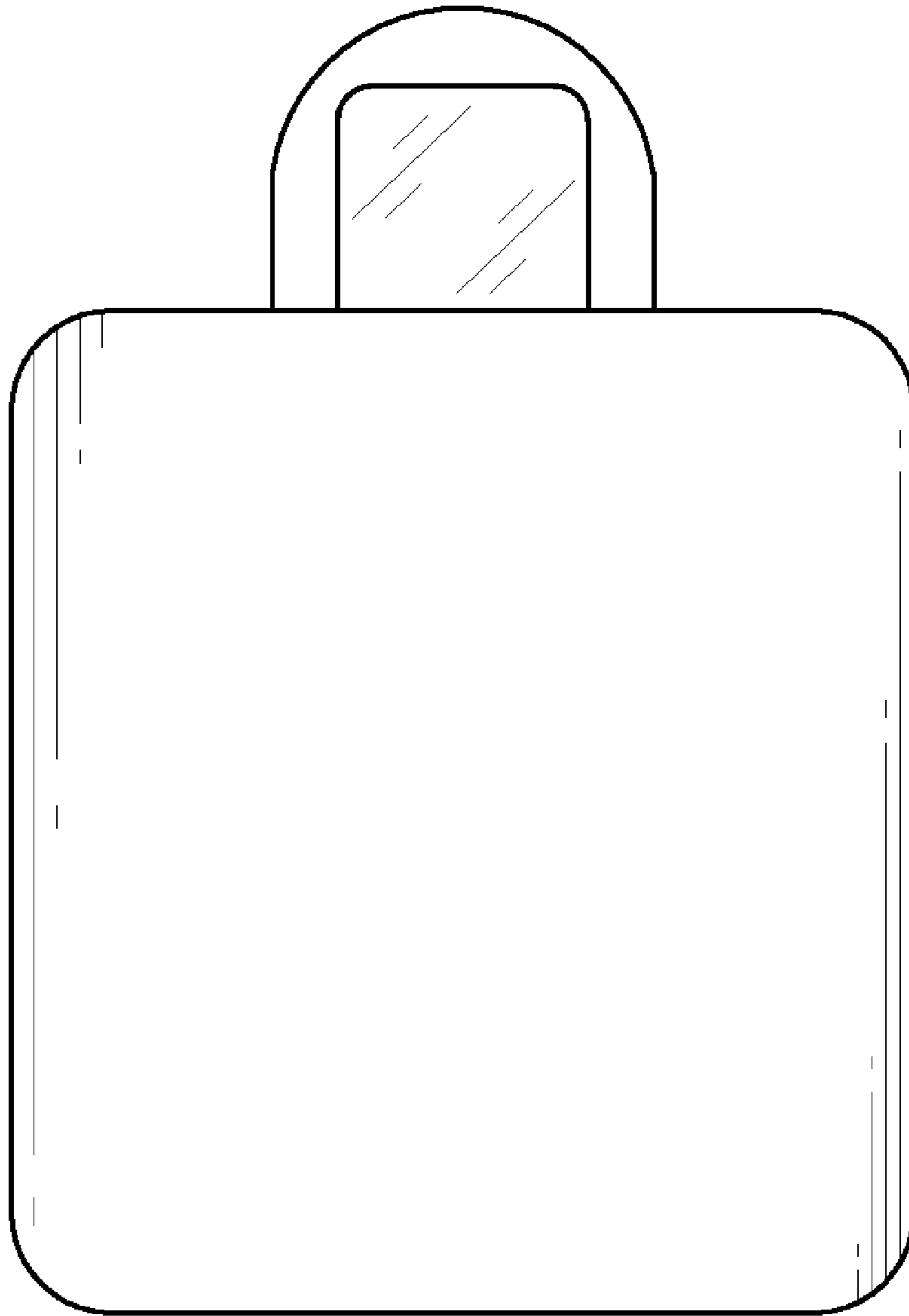


FIG. 7

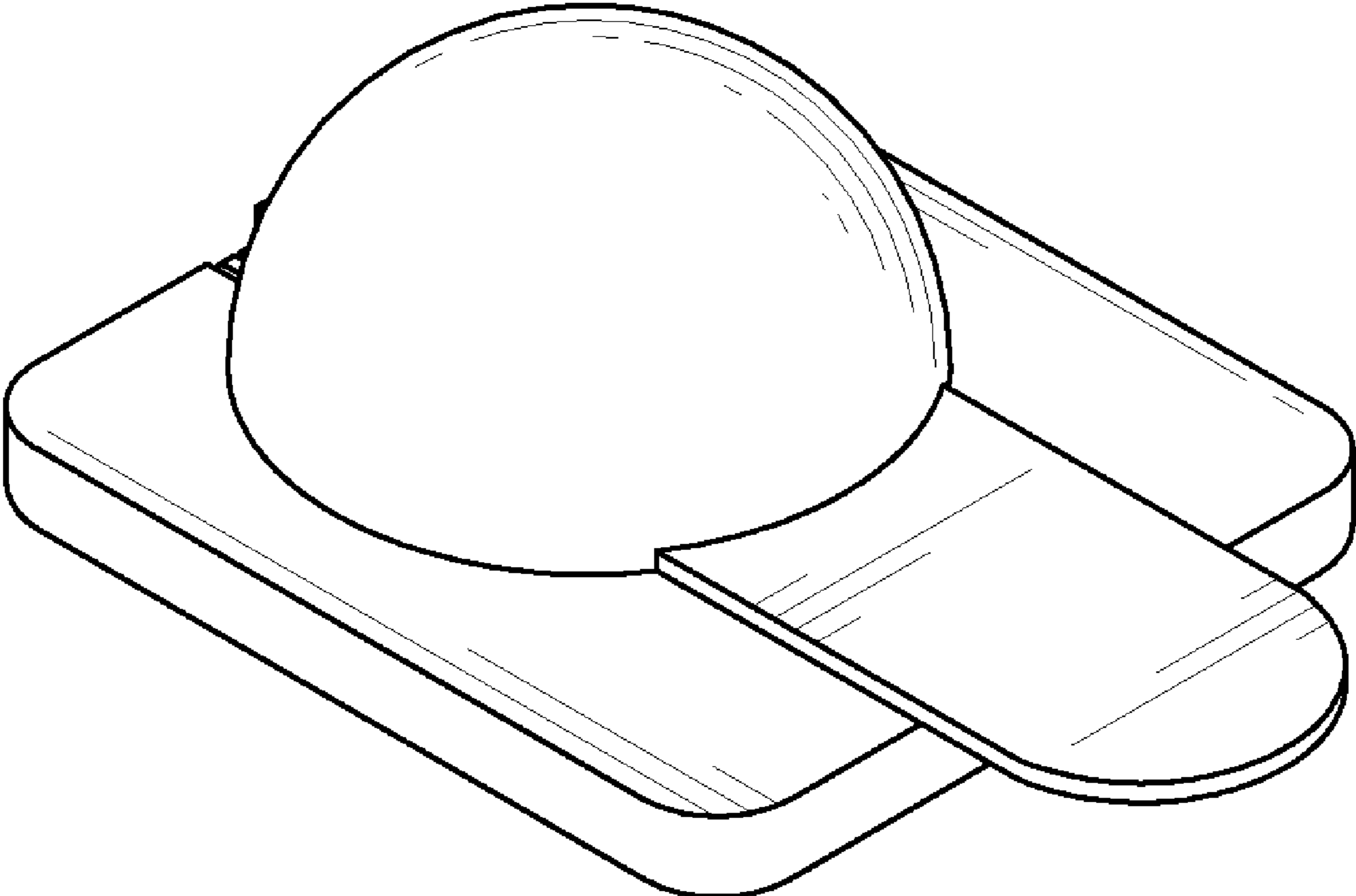


FIG. 8