



US00D616587S

(12) **United States Design Patent**
Sabernig

(10) **Patent No.:** **US D616,587 S**

(45) **Date of Patent:** **** May 25, 2010**

(54) **LIGHT FIXTURE**

(74) *Attorney, Agent, or Firm*—Baker & McKenzie LLP

(75) Inventor: **Robert Sabernig**, Munster (AT)

(57) **CLAIM**

(73) Assignee: **EGLO Leuchten GmbH**, Innsbruck (AT)

The ornamental design for a light fixture, as shown and described.

(**) Term: **14 Years**

DESCRIPTION

(21) Appl. No.: **29/325,222**

FIG. 1 is a perspective view of a light fixture in accordance with my design, shown in a first adjustable position;

(22) Filed: **Sep. 26, 2008**

FIG. 2 is a top plan view of the light fixture in accordance with my design, shown in a second adjustable;

(51) **LOC (9) Cl.** **26-05**

(52) **U.S. Cl.** **D26/63**

(58) **Field of Classification Search** D26/60–66,
D26/93, 102, 103; 362/410–413, 269, 275,
362/277–280, 282, 285, 287

FIG. 3 is a bottom plan view of the light fixture in accordance with my design, shown in the second adjustable position;

See application file for complete search history.

FIG. 4 is a front elevation view of the light fixture in accordance with my design, shown in the second adjustable position;

(56) **References Cited**

U.S. PATENT DOCUMENTS

D296,480 S *	6/1988	Engel	D26/62
D428,178 S *	7/2000	Swanson	D26/62
D509,013 S *	8/2005	Opolka	D26/63
D589,191 S *	3/2009	Sabernig	D26/63

FIG. 5 is a back elevation view of the light fixture in accordance with my design, shown in the second adjustable position;

* cited by examiner

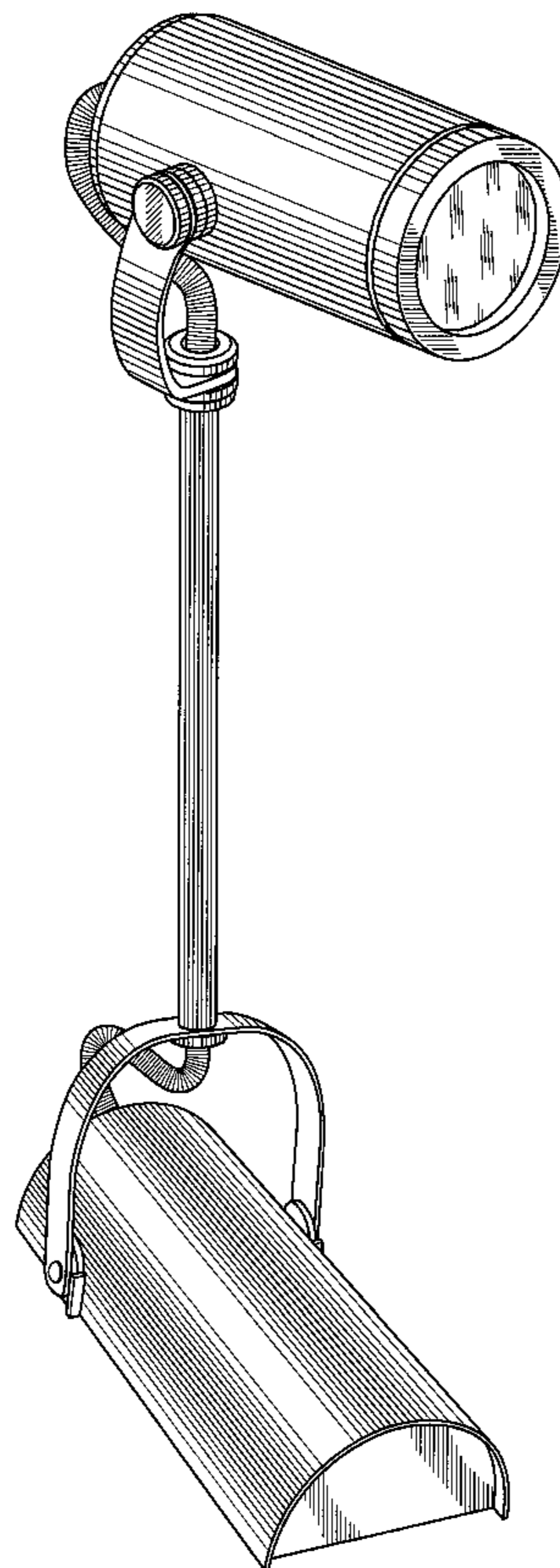
FIG. 6 is a side elevation view of the light fixture in accordance with my design, shown in the second adjustable position; and,

Primary Examiner—Susan Moon Lee

Assistant Examiner—Linda G. Brooks

FIG. 7 is an opposite side elevation view of the light fixture in accordance with my design, shown in the second adjustable position.

1 Claim, 3 Drawing Sheets



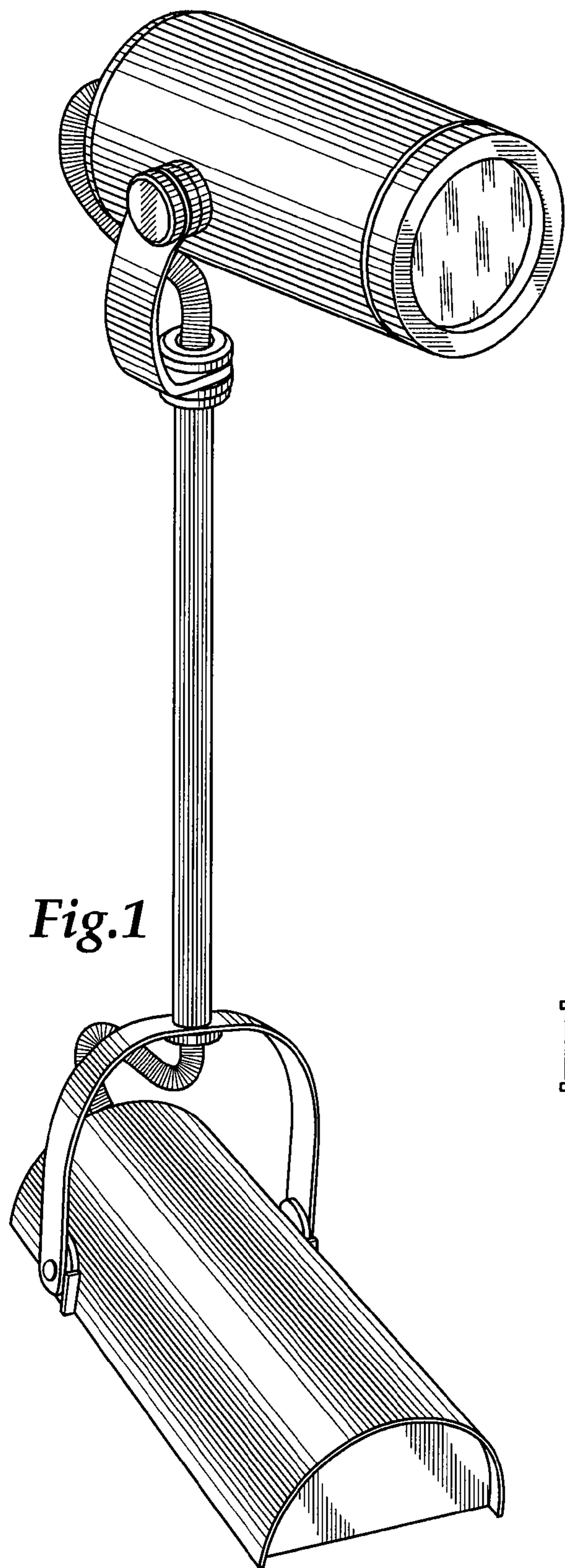


Fig.3

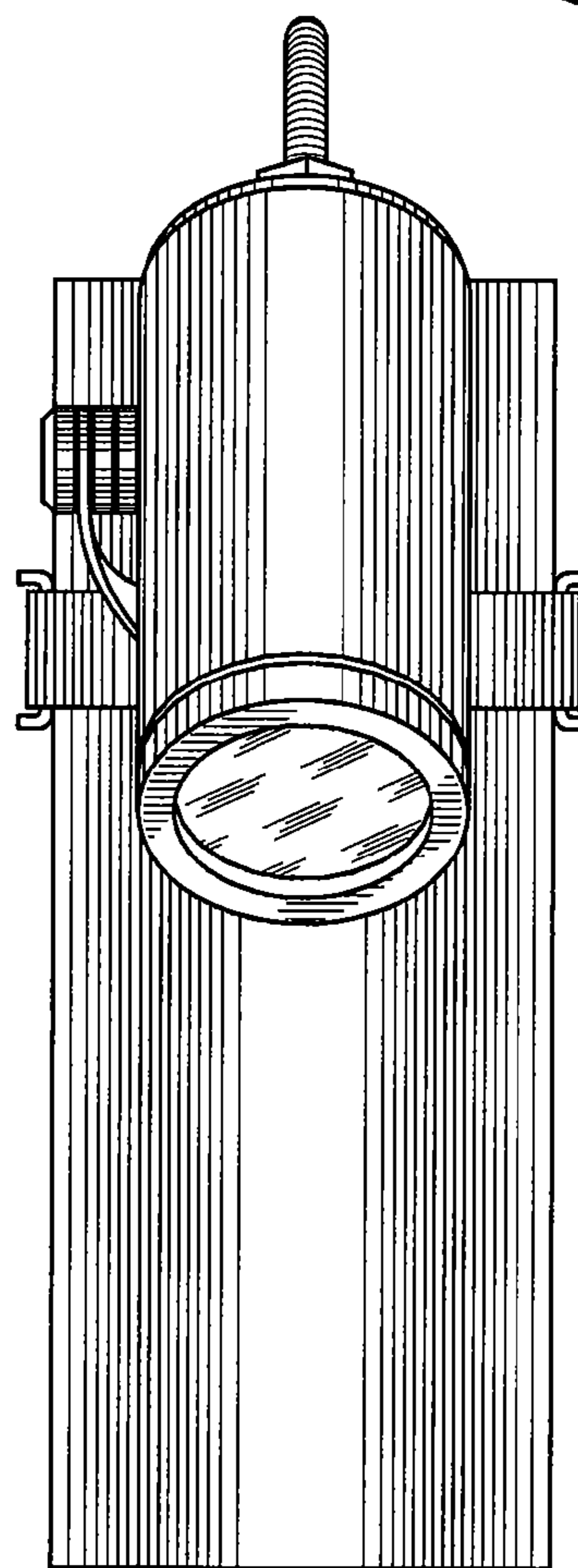
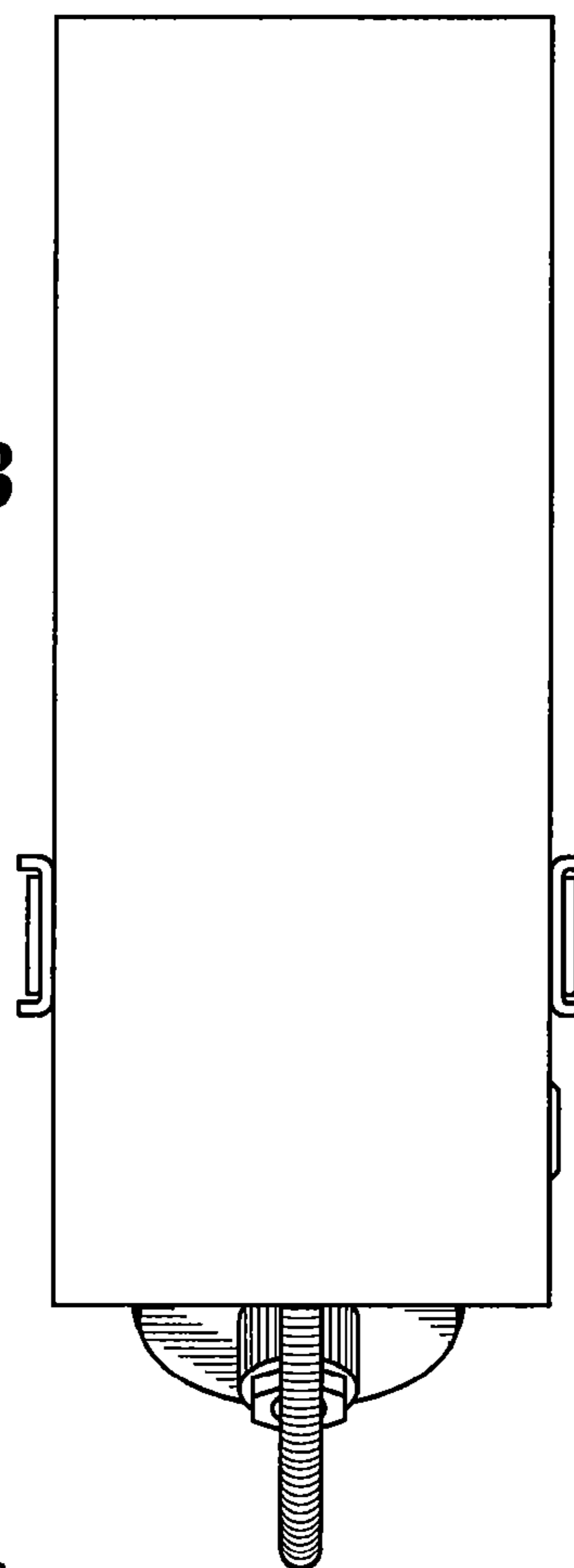


Fig.2

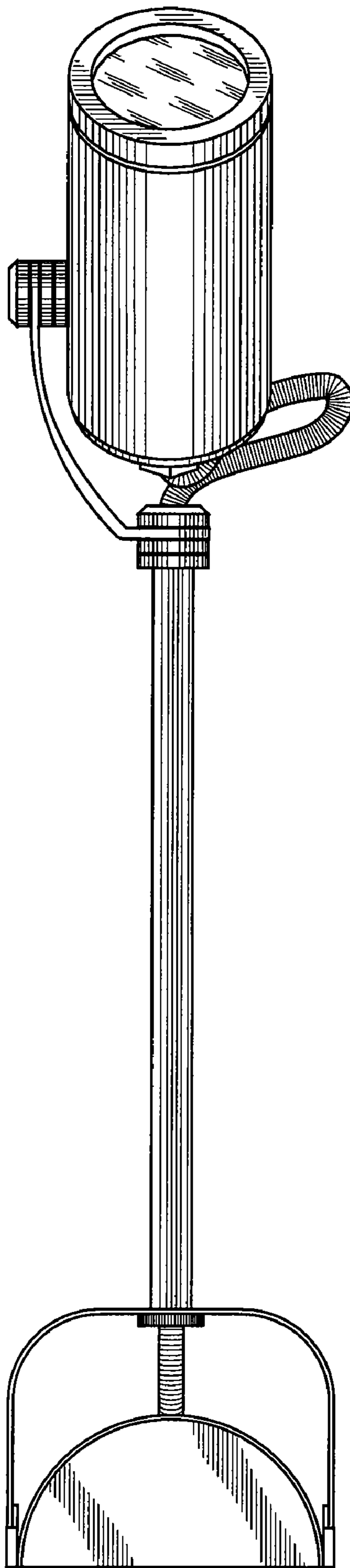


Fig. 4

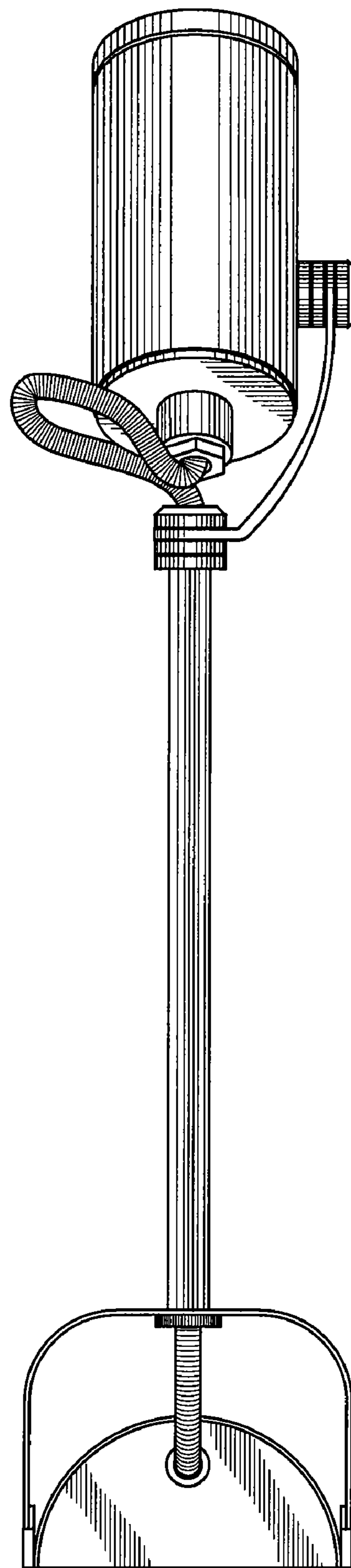


Fig. 5

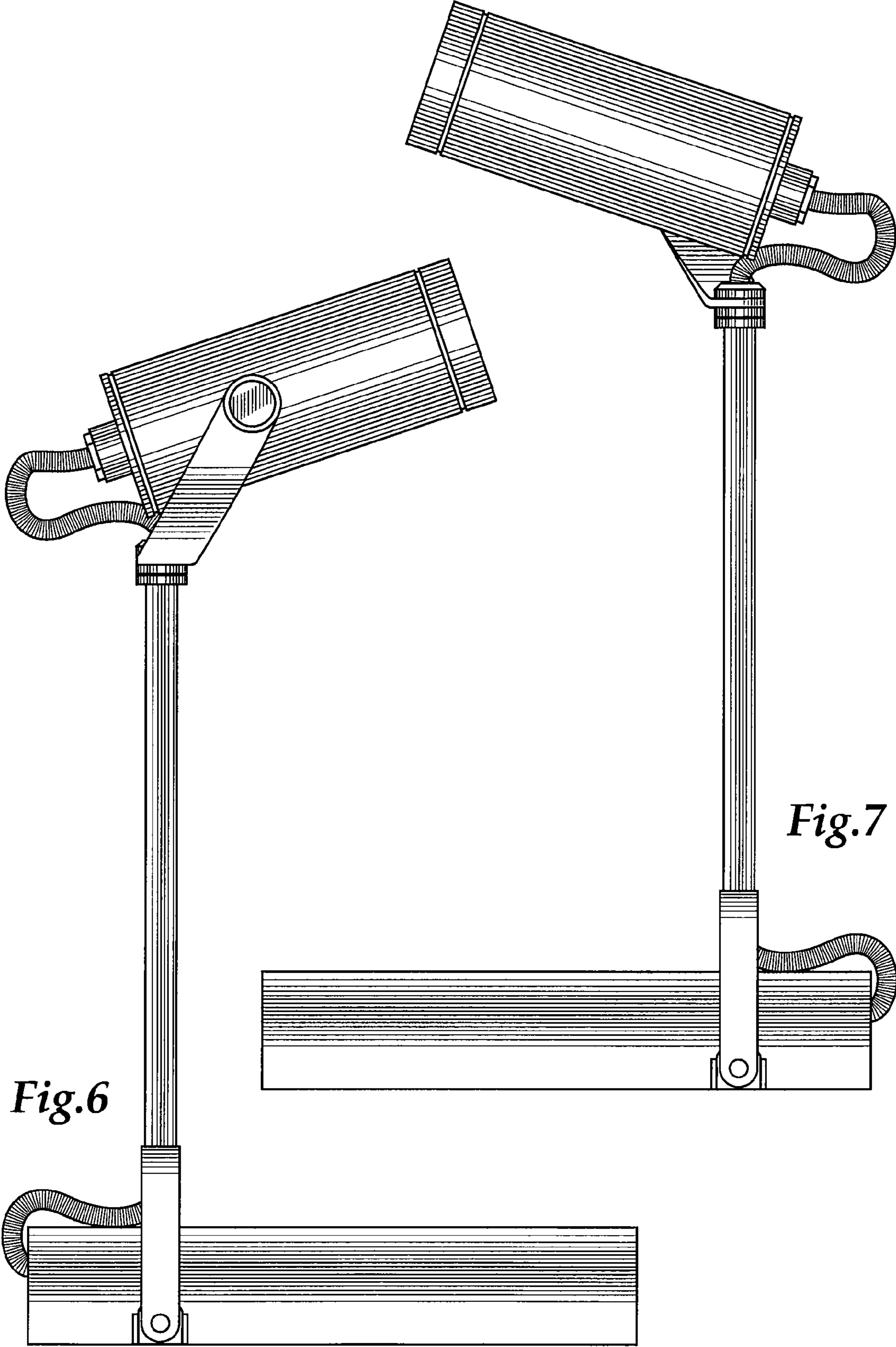


Fig.6

Fig.7