



US00D616586S

(12) **United States Design Patent**  
**Sabernig**

(10) **Patent No.:** **US D616,586 S**

(45) **Date of Patent:** **\*\* May 25, 2010**

(54) **LIGHT FIXTURE**

(75) Inventor: **Robert Sabernig**, Munster (AT)

(73) Assignee: **EGLO Leuchten GmbH**, Innsbruck (AT)

(\*\*) Term: **14 Years**

(21) Appl. No.: **29/325,221**

(22) Filed: **Sep. 26, 2008**

(51) **LOC (9) Cl.** ..... **26-05**

(52) **U.S. Cl.** ..... **D26/63**

(58) **Field of Classification Search** ..... D26/60–66,  
D26/93, 102, 103; 362/410–413, 269, 275,  
362/277–280, 282, 285, 287

See application file for complete search history.

(56) **References Cited**

**U.S. PATENT DOCUMENTS**

D296,480 S *	6/1988	Engel	.....	D26/62
D428,178 S *	7/2000	Swanson	.....	D26/62
D509,013 S *	8/2005	Opolka	.....	D26/63
D589,191 S *	3/2009	Sabernig	.....	D26/63

\* cited by examiner

*Primary Examiner*—Susan Moon Lee

*Assistant Examiner*—Linda G. Brooks

(74) *Attorney, Agent, or Firm*—Baker & McKenzie LLP

(57) **CLAIM**

The ornamental design for a light fixture, as shown and described.

**DESCRIPTION**

FIG. 1 is a top perspective view of a light fixture in accordance with my design, illustrating a first adjustable position of many of various portions of the light fixture;

FIG. 2 is a top plan view of the light fixture in accordance with my design, illustrating a second adjustable position of many of various portions of the light fixture;

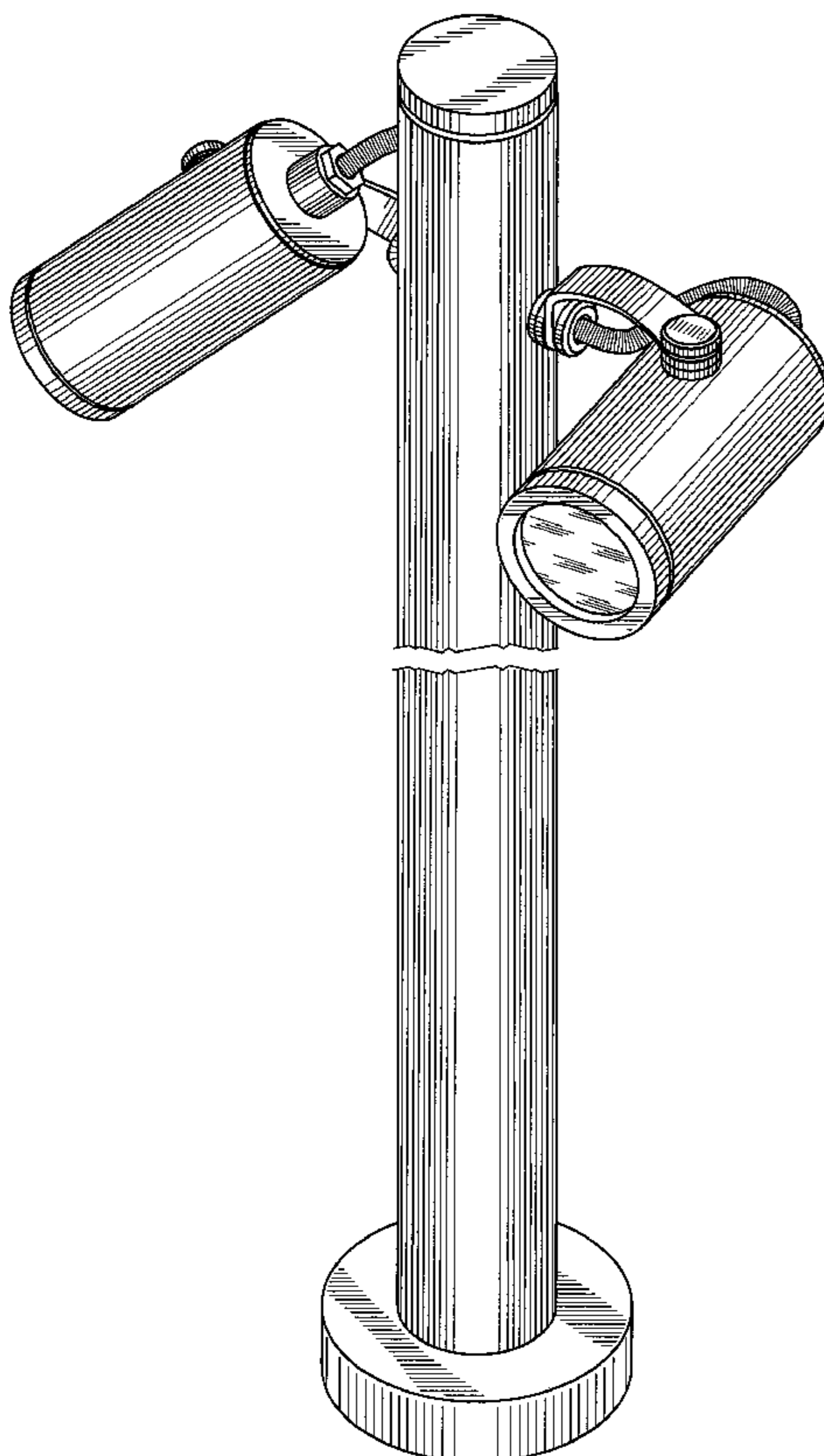
FIG. 3 is a bottom plan view of the light fixture in accordance with my design, illustrating a second adjustable position of many of various portions of the light fixture;

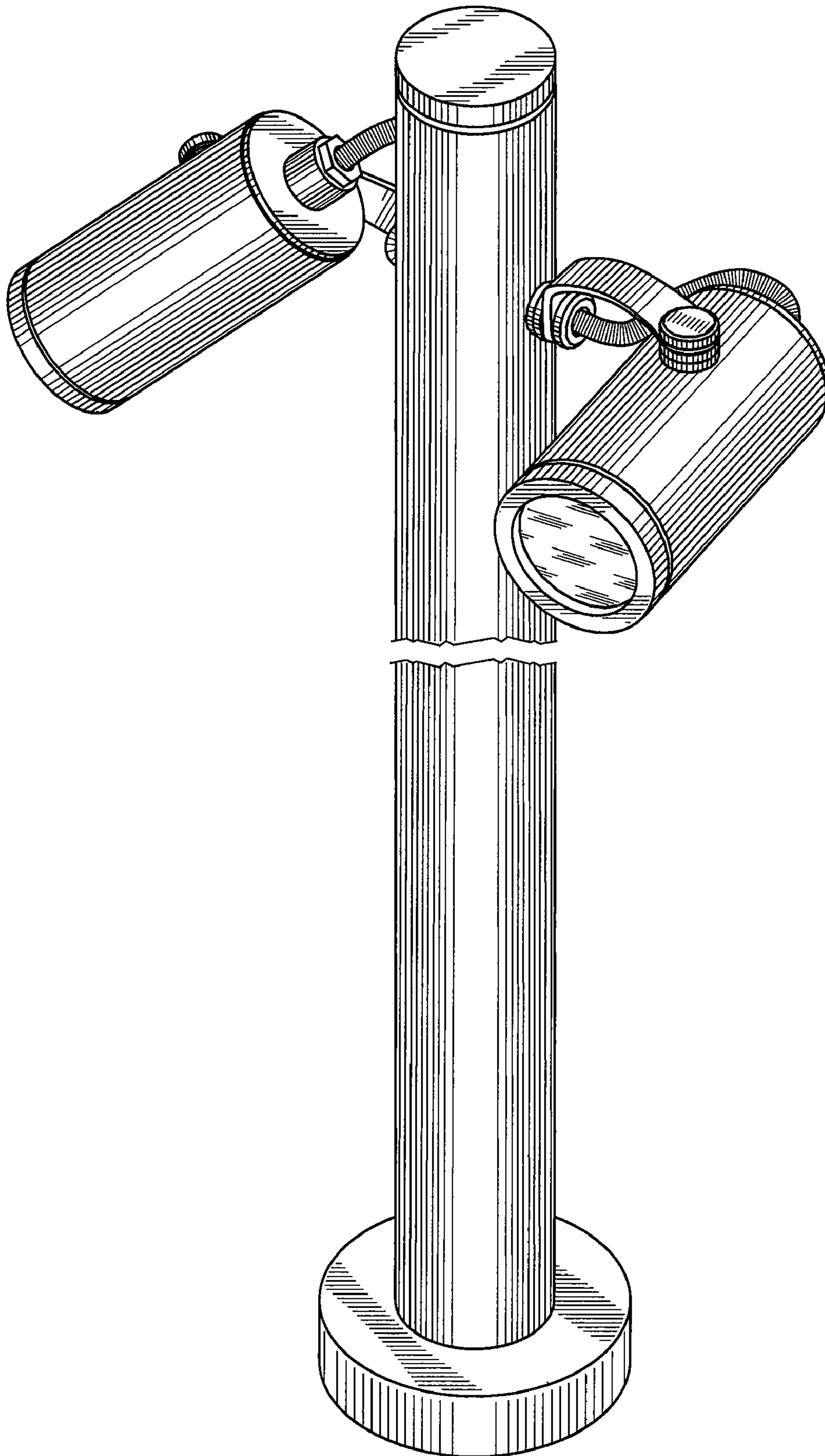
FIG. 4 is a side elevation view of the light fixture in accordance with my design, illustrating a second adjustable position of many of various portions of the light fixture, the opposite view being a mirror image of that shown; and,

FIG. 5 is a front elevation view of the light fixture in accordance with my design, illustrating a second adjustable position of many of various portions of the light fixture, the opposite view being a mirror image of that shown.

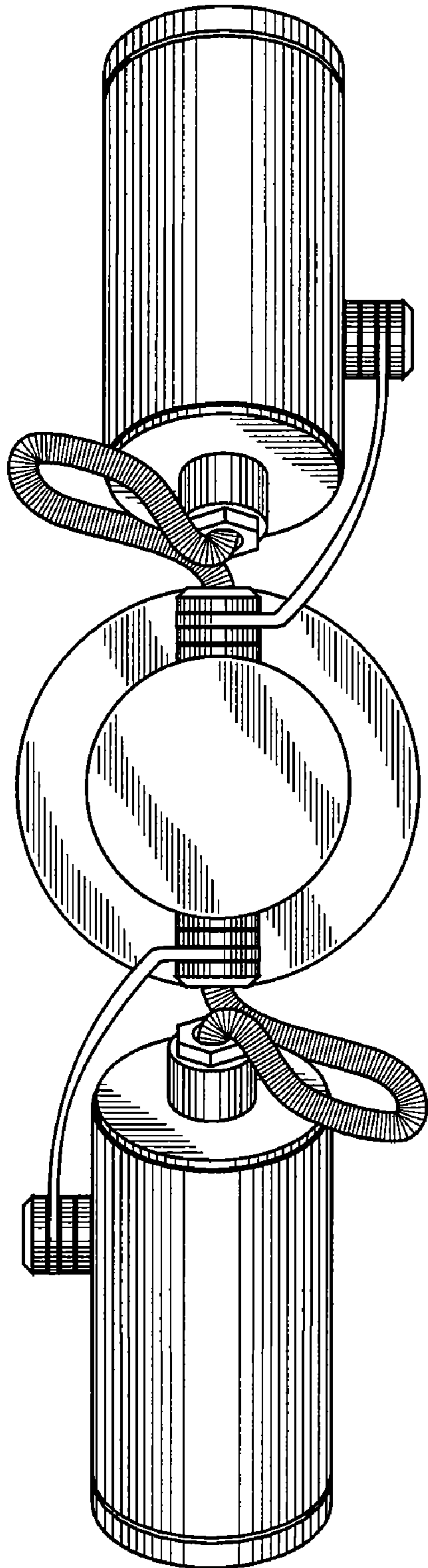
The light fixture of FIGS. 1 and 4–5 is shown with a portion broken away to indicate indeterminate length.

**1 Claim, 4 Drawing Sheets**

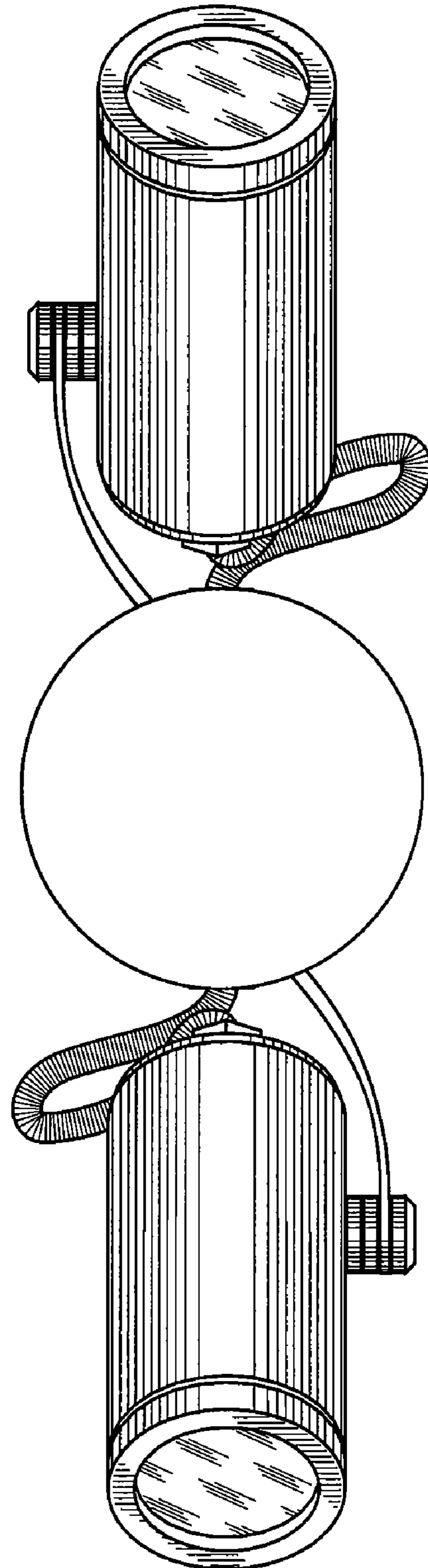




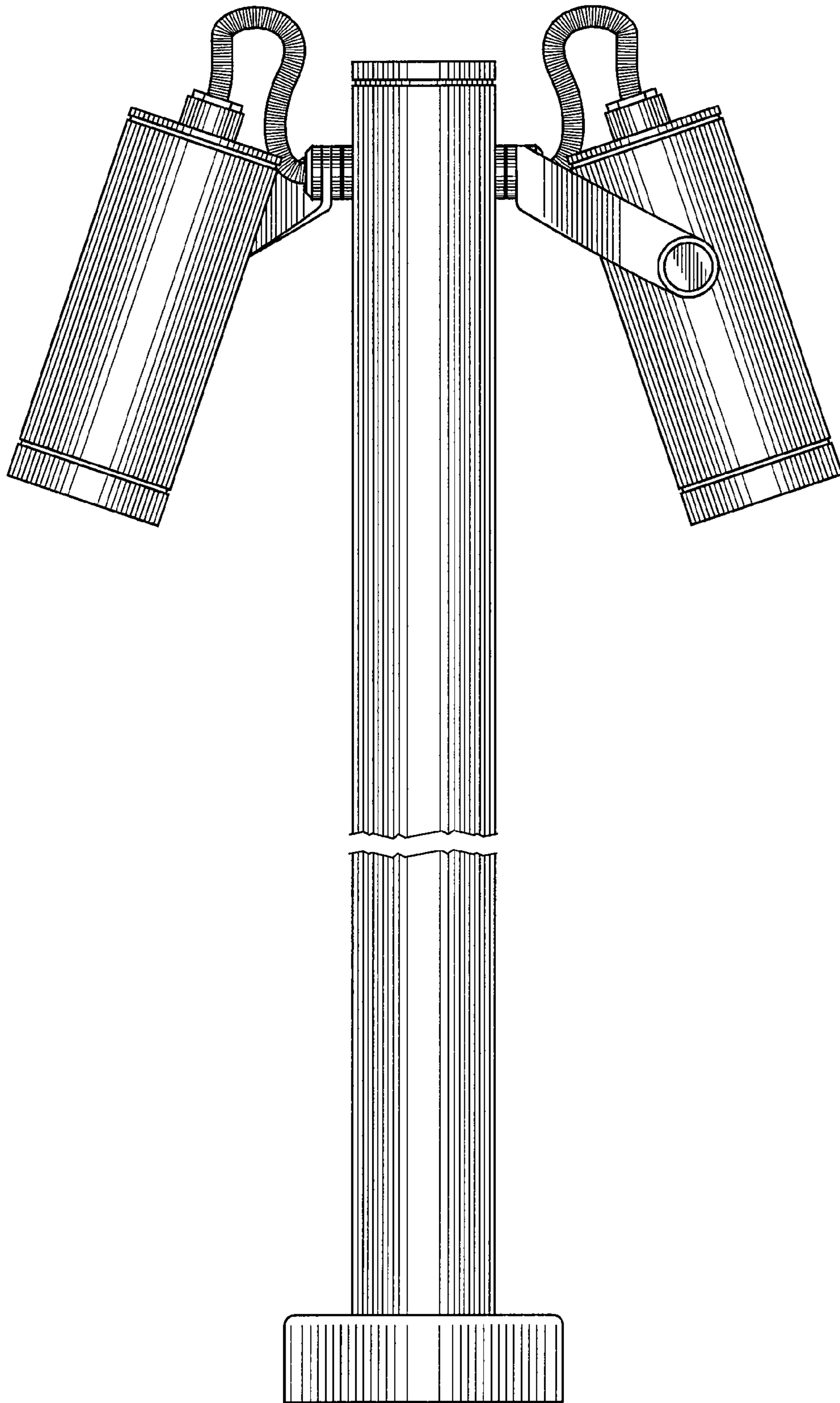
*Fig.1*



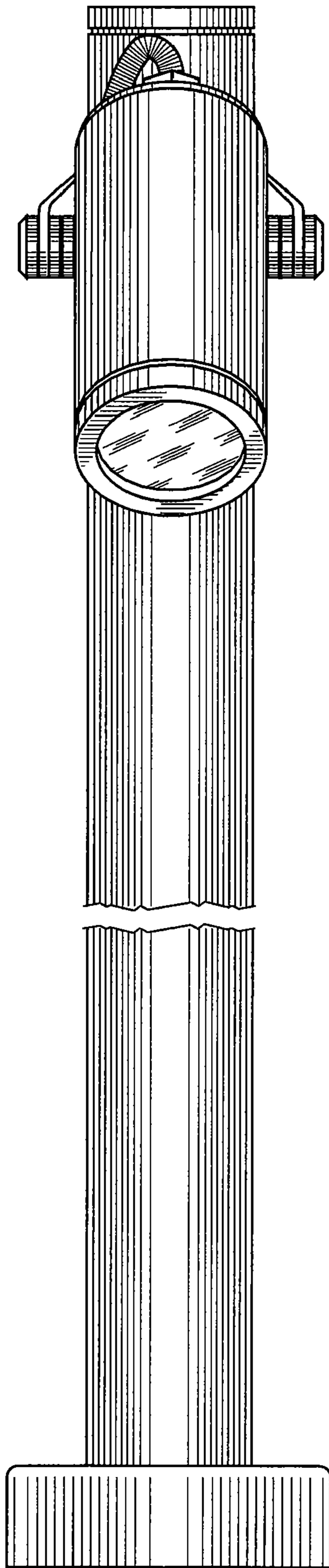
*Fig.2*



*Fig.3*



*Fig.4*



*Fig.5*