



US00D616583S

(12) **United States Design Patent**  
**Bertken**

(10) **Patent No.:** **US D616,583 S**

(45) **Date of Patent:** **\*\* May 25, 2010**

(54) **MINI-FLASHLIGHT**

(75) Inventor: **Dennis Bertken**, Solana Beach, CA  
(US)

(73) Assignee: **Life+Gear, Inc.**, Solana Beach, CA (US)

(\*\*) Term: **14 Years**

(21) Appl. No.: **29/346,228**

(22) Filed: **Oct. 28, 2009**

(51) **LOC (9) Cl.** ..... **26-02**

(52) **U.S. Cl.** ..... **D26/49**

(58) **Field of Classification Search** ..... D26/37,  
D26/44, 46, 48, 49; 362/157, 158, 184, 183,  
362/197, 202-208

See application file for complete search history.

(56) **References Cited**

**U.S. PATENT DOCUMENTS**

- D331,118 S \* 11/1992 Yeung ..... D26/49
- D360,045 S \* 7/1995 Inukai ..... D26/49
- D474,555 S \* 5/2003 Sieckowski et al. .... D26/49
- D493,240 S \* 7/2004 To ..... D26/49
- D520,167 S \* 5/2006 Garrity ..... D26/49

- D534,673 S \* 1/2007 Muszynski ..... D26/49
- D572,394 S \* 7/2008 Dalton ..... D26/37
- D596,772 S \* 7/2009 Chang ..... D26/49

\* cited by examiner

*Primary Examiner*—Ian Simmons

*Assistant Examiner*—Carissa C Fitts

(74) *Attorney, Agent, or Firm*—Marger Johnson & McCollom, P.C.

(57) **CLAIM**

The ornamental design for a mini-flashlight, as shown and described.

**DESCRIPTION**

FIG. 1 is a perspective view of the mini-flashlight according to the present design;

FIG. 2 is a right side elevation view of the design of FIG. 1, the left side being a mirror image thereof;

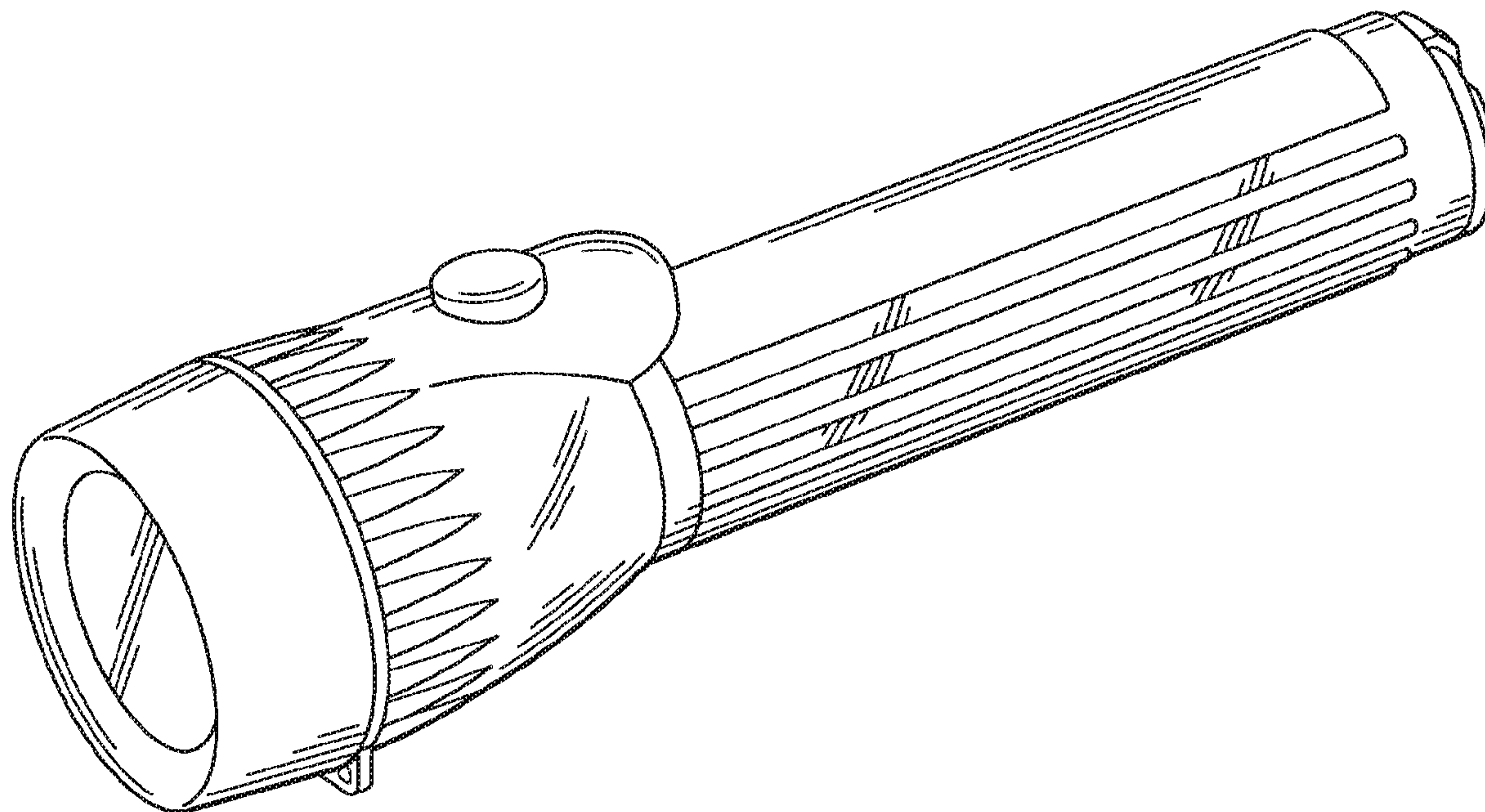
FIG. 3 is a top plan view of the design of FIG. 1;

FIG. 4 is a bottom plan view of the design of FIG. 1;

FIG. 5 is a front elevation view of the design of FIG. 1; and,

FIG. 6 is a rear elevation view of the design of FIG. 1.

**1 Claim, 2 Drawing Sheets**



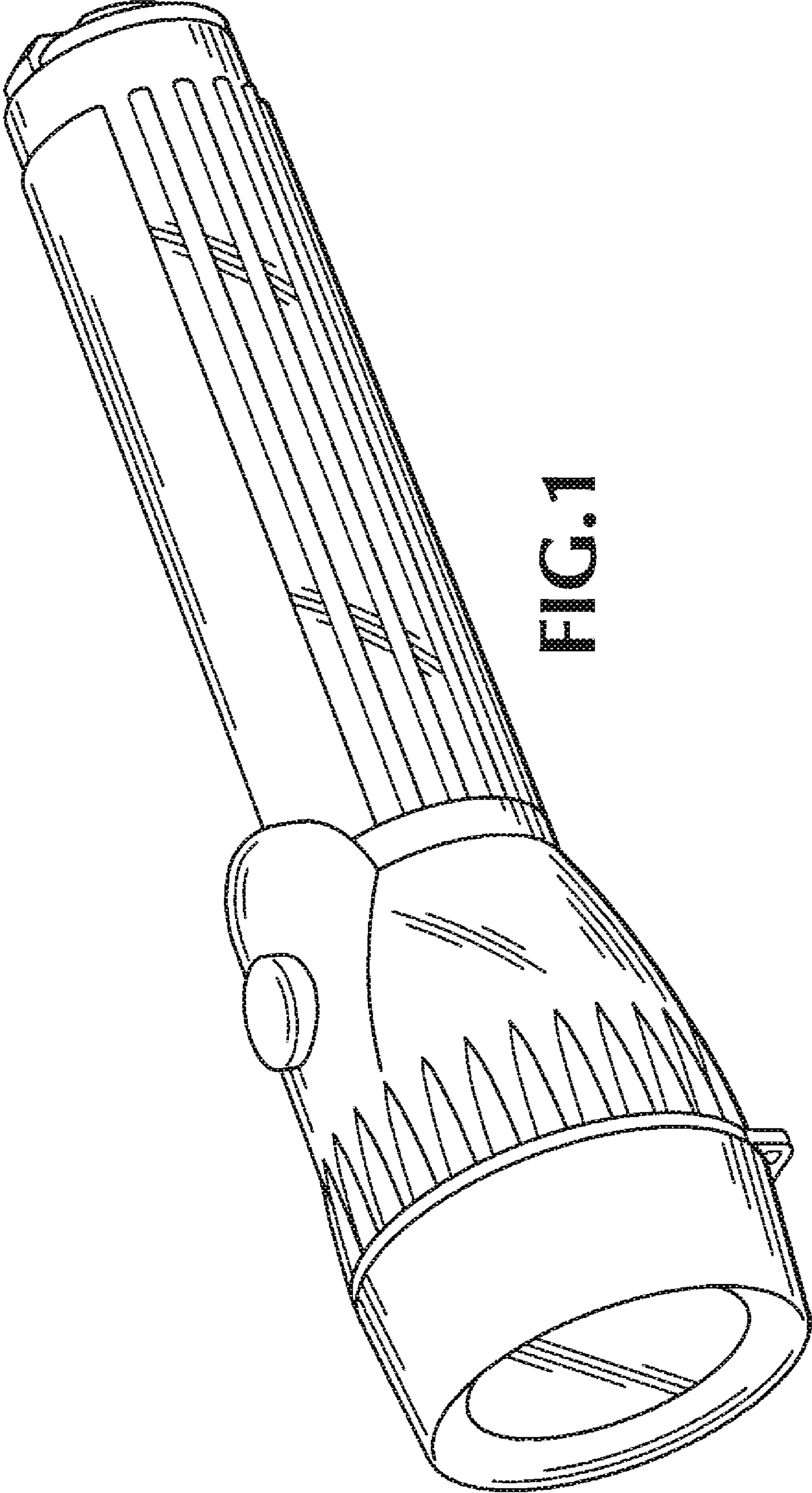
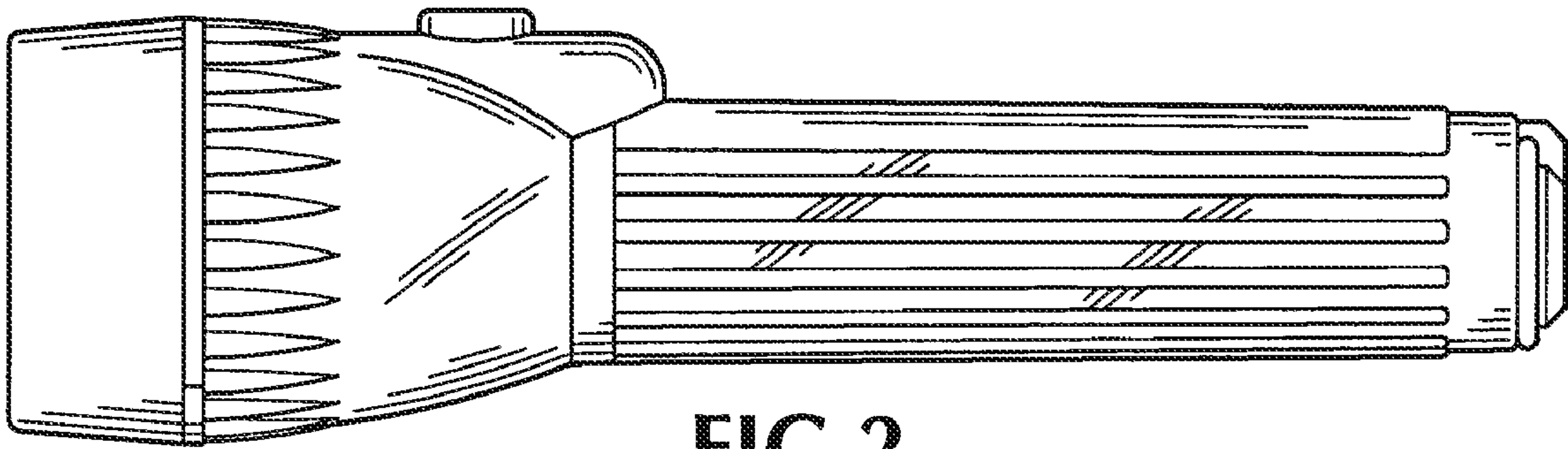
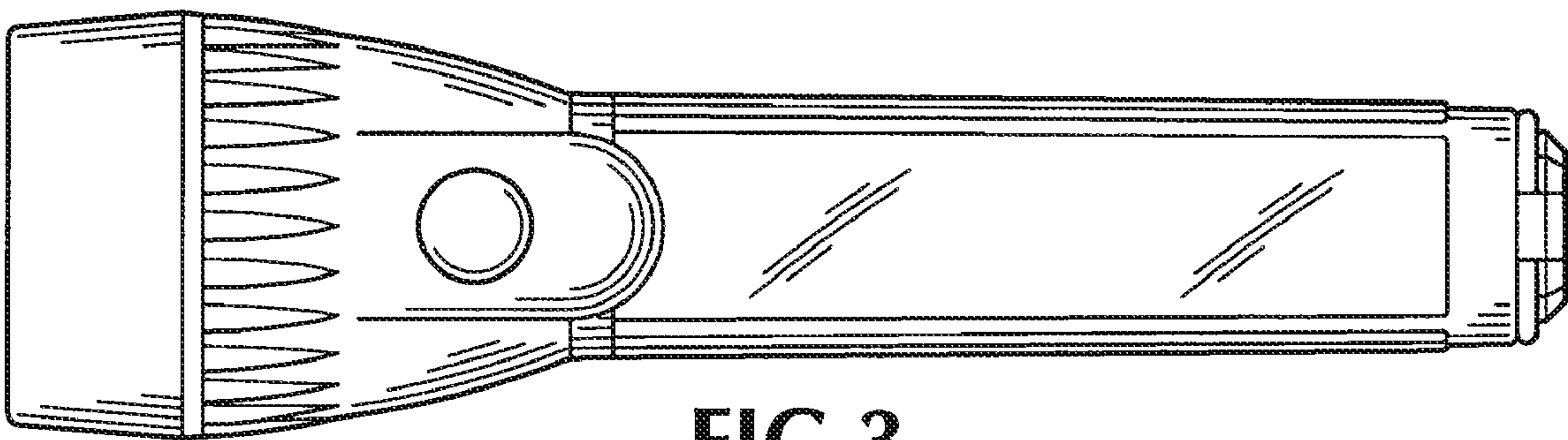


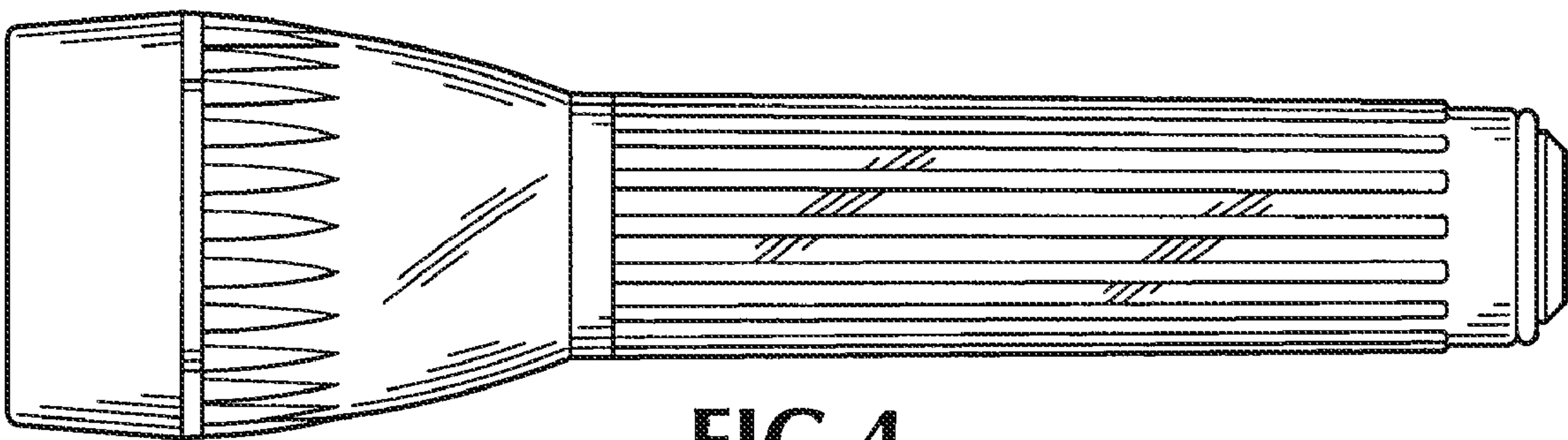
FIG. 1



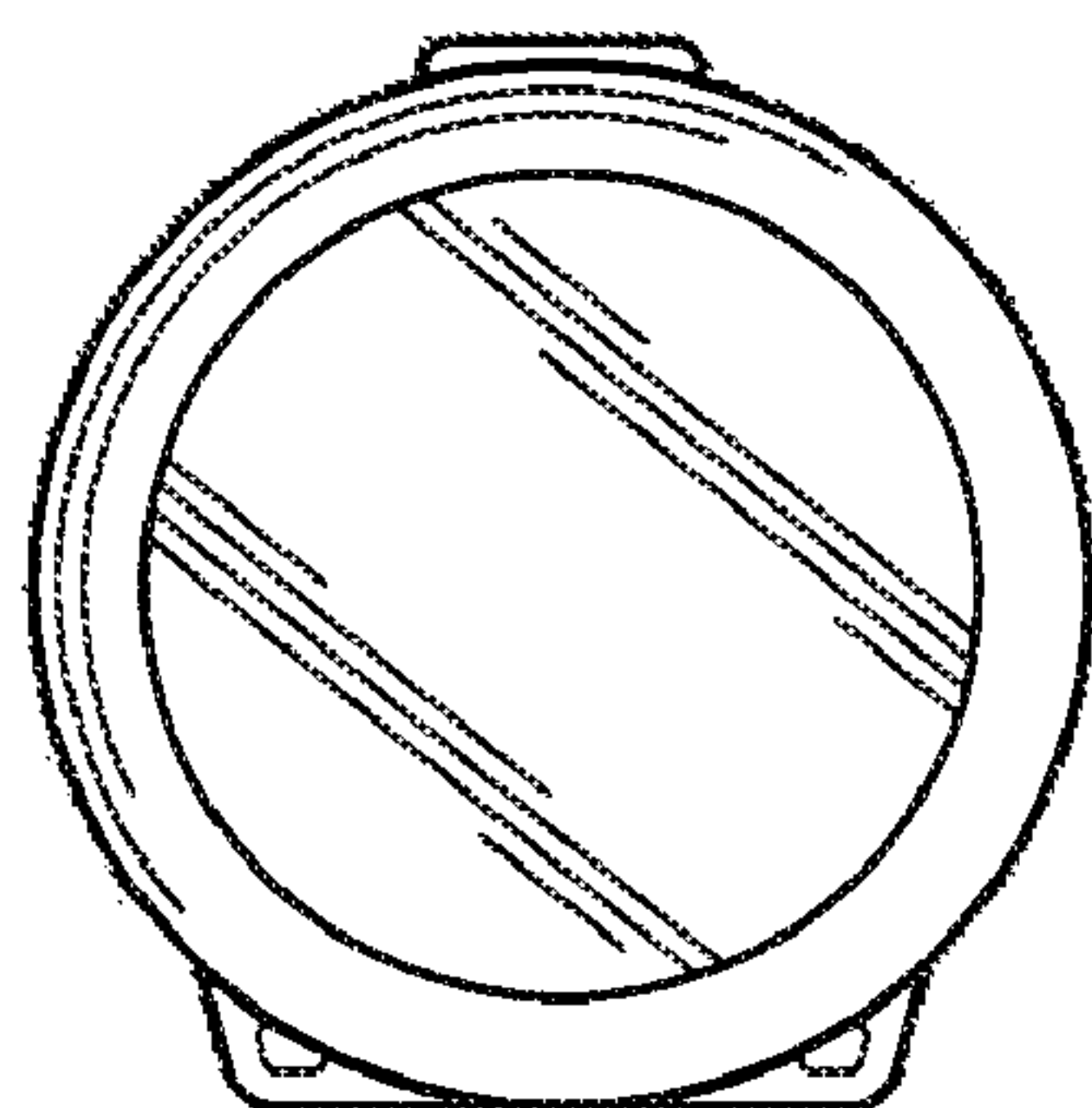
**FIG. 2**



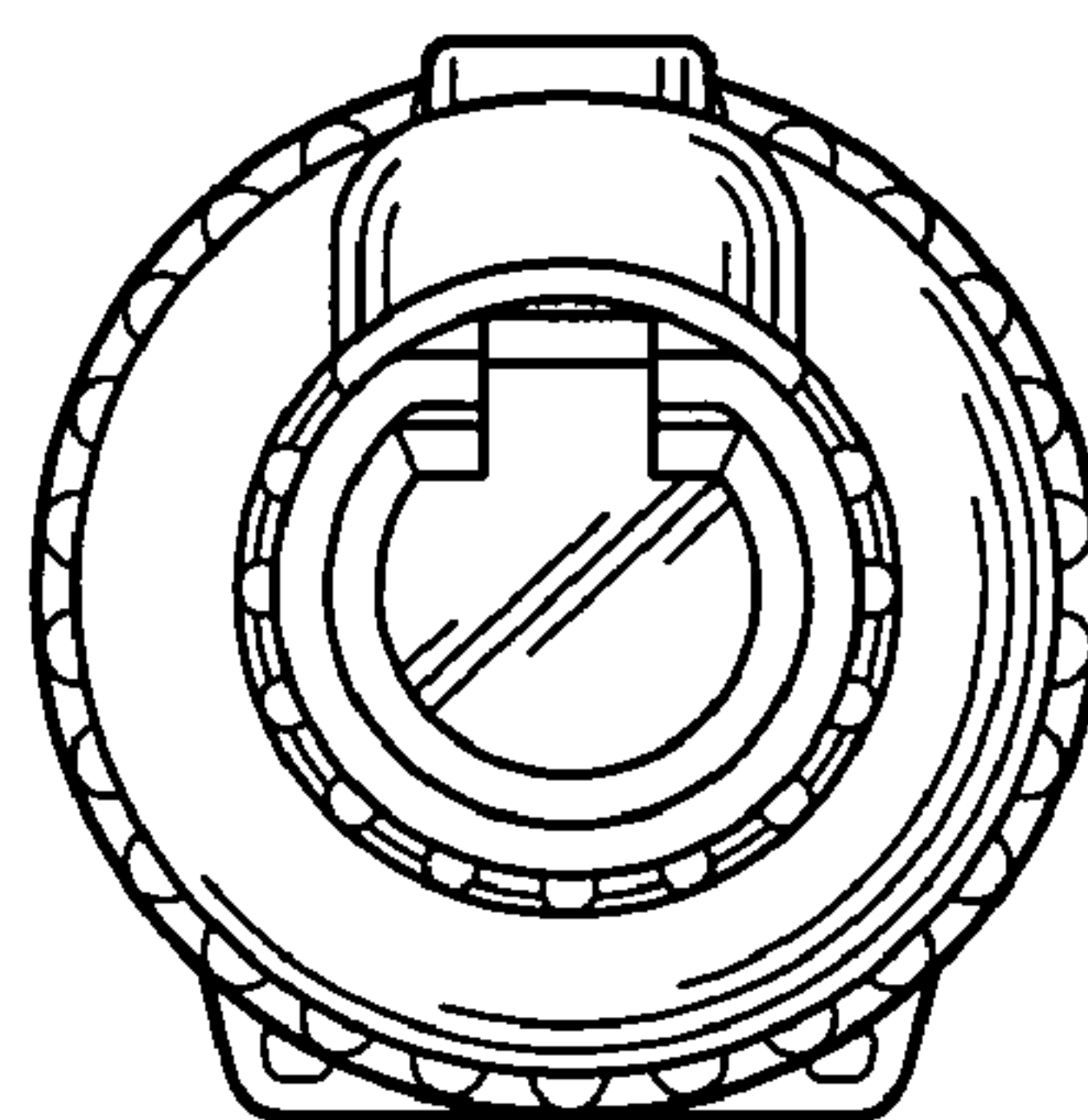
**FIG. 3**



**FIG. 4**



**FIG. 5**



**FIG. 6**