

US00D616582S

(12) **United States Design Patent**
Bertken

(10) **Patent No.:** **US D616,582 S**

(45) **Date of Patent:** **** May 25, 2010**

(54) **FLASHLIGHT**

(75) Inventor: **Dennis Bertken**, Solana Beach, CA
(US)

(73) Assignee: **Life+Gear, Inc.**, Solana Beach, CA (US)

(**) Term: **14 Years**

(21) Appl. No.: **29/346,226**

(22) Filed: **Oct. 28, 2009**

(51) **LOC (9) Cl.** **26-02**

(52) **U.S. Cl.** **D26/49**

(58) **Field of Classification Search** D26/37,
D26/44, 46, 48, 49; 362/157, 158, 184, 183,
362/197, 202-208

See application file for complete search history.

(56) **References Cited**

U.S. PATENT DOCUMENTS

- D331,118 S * 11/1992 Yeung D26/49
- D360,045 S * 7/1995 Inukai D26/49
- D474,555 S * 5/2003 Sieckowski et al. D26/49
- D493,240 S * 7/2004 To D26/49
- D520,167 S * 5/2006 Garrity D26/49

- D534,673 S * 1/2007 Muszynski D26/49
- D572,394 S * 7/2008 Dalton D26/37
- D596,772 S * 7/2009 Chang D26/49

* cited by examiner

Primary Examiner—Ian Simmons

Assistant Examiner—Carissa C Fitts

(74) *Attorney, Agent, or Firm*—Marger Johnson &
McCullom, P.C.

(57) **CLAIM**

The ornamental design for a flashlight, as shown and described.

DESCRIPTION

FIG. 1 is a perspective view of the flashlight according to the present design;

FIG. 2 is a right side elevation view of the design of FIG. 1, the left side being a mirror image thereof;

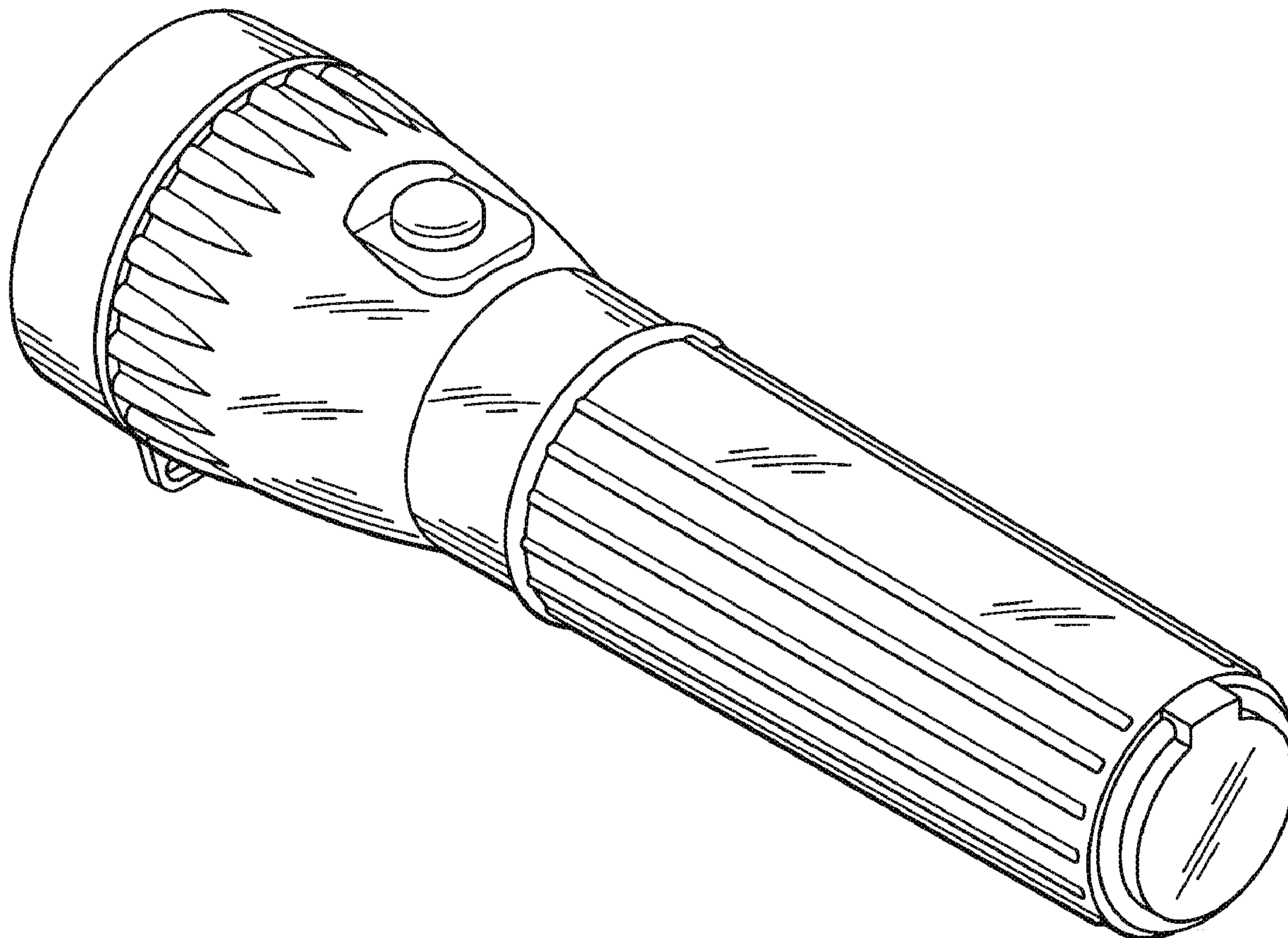
FIG. 3 is a top plan view of the design of FIG. 1;

FIG. 4 is a bottom plan view of the design of FIG. 1;

FIG. 5 is a front elevation view of the design of FIG. 1; and,

FIG. 6 is a rear elevation view of the design of FIG. 1.

1 Claim, 2 Drawing Sheets



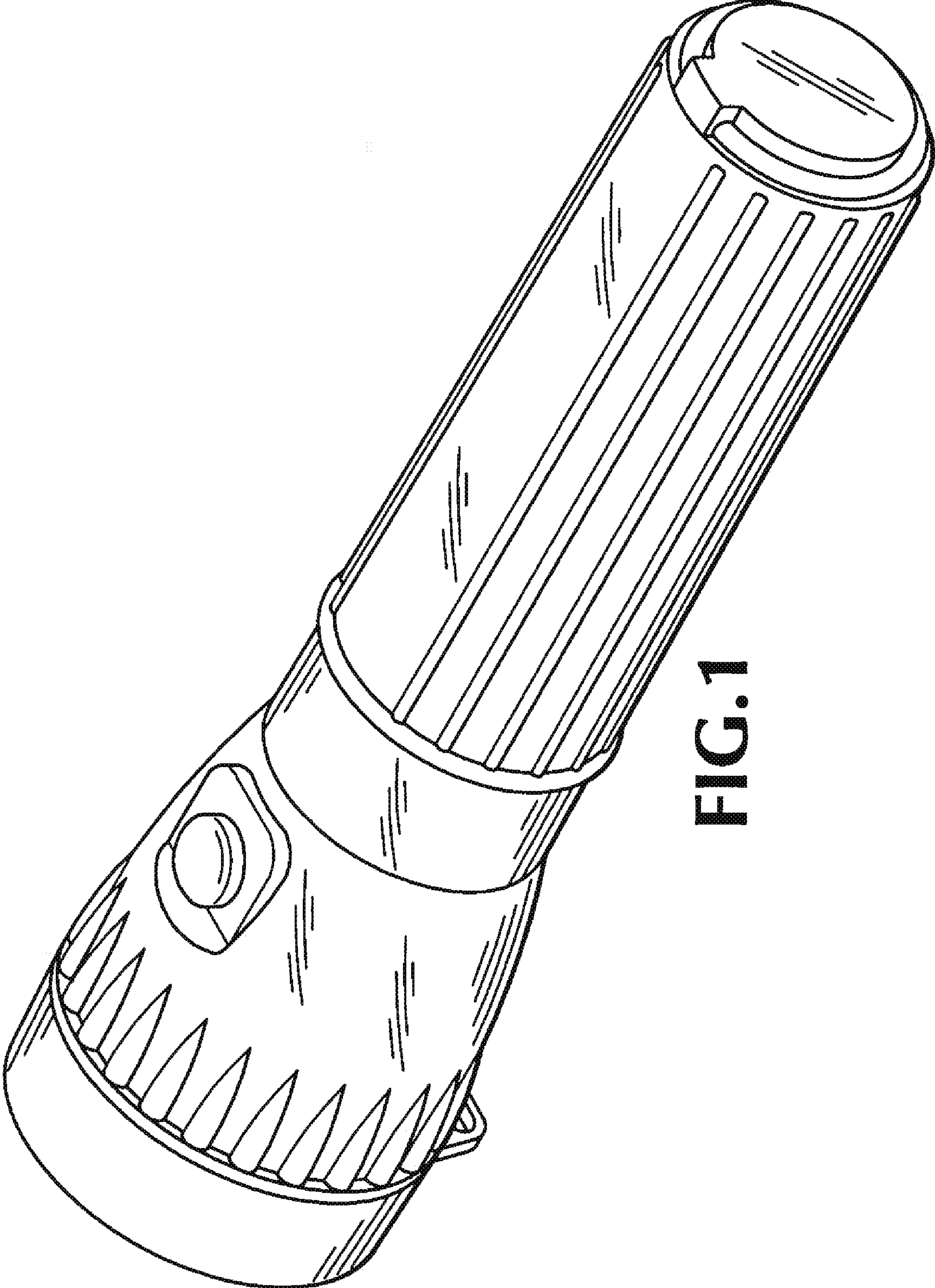


FIG.1

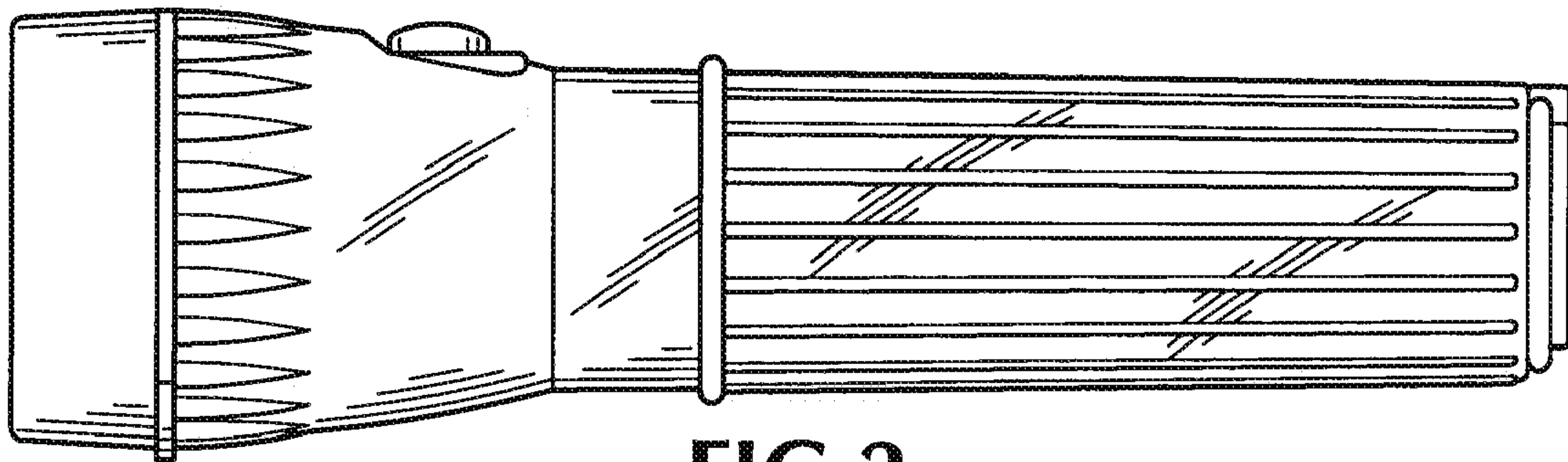


FIG. 2

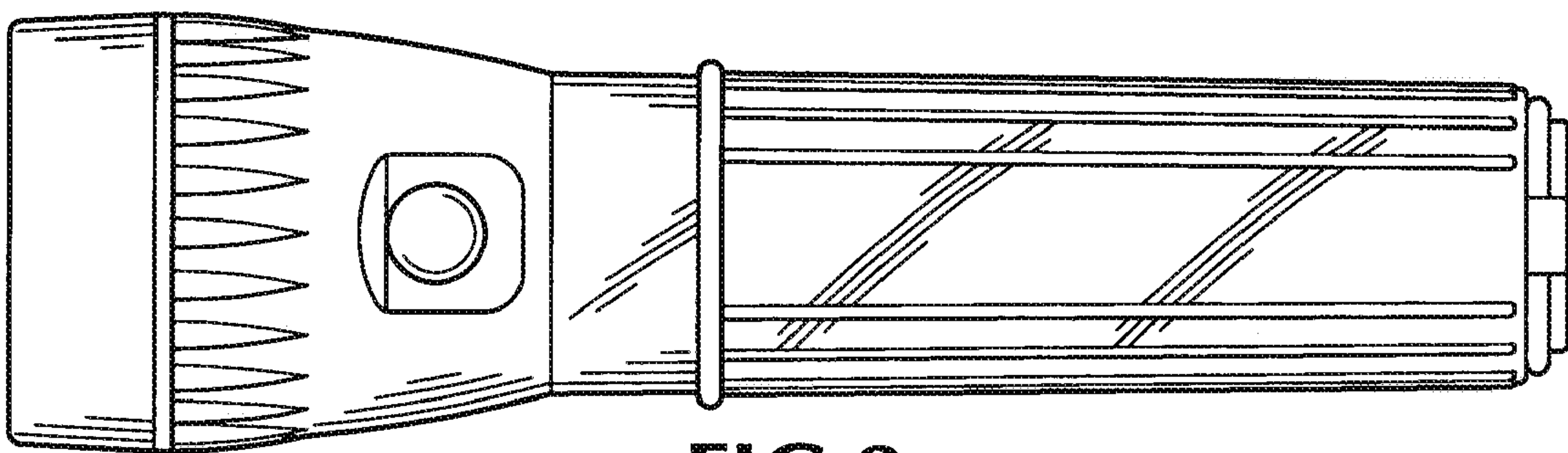


FIG. 3

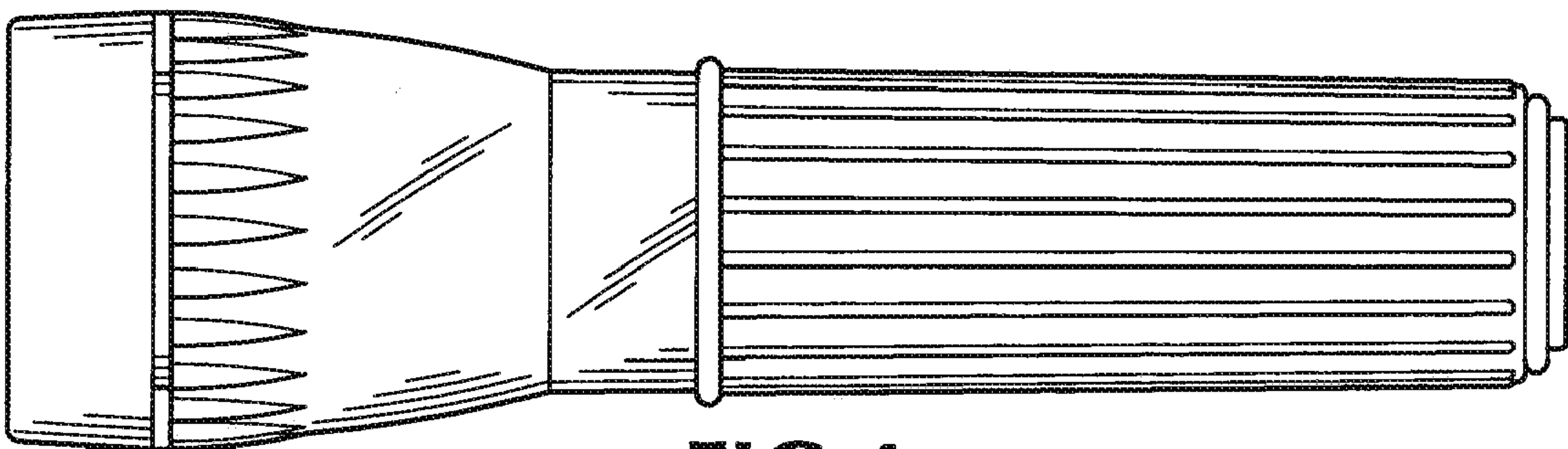


FIG. 4

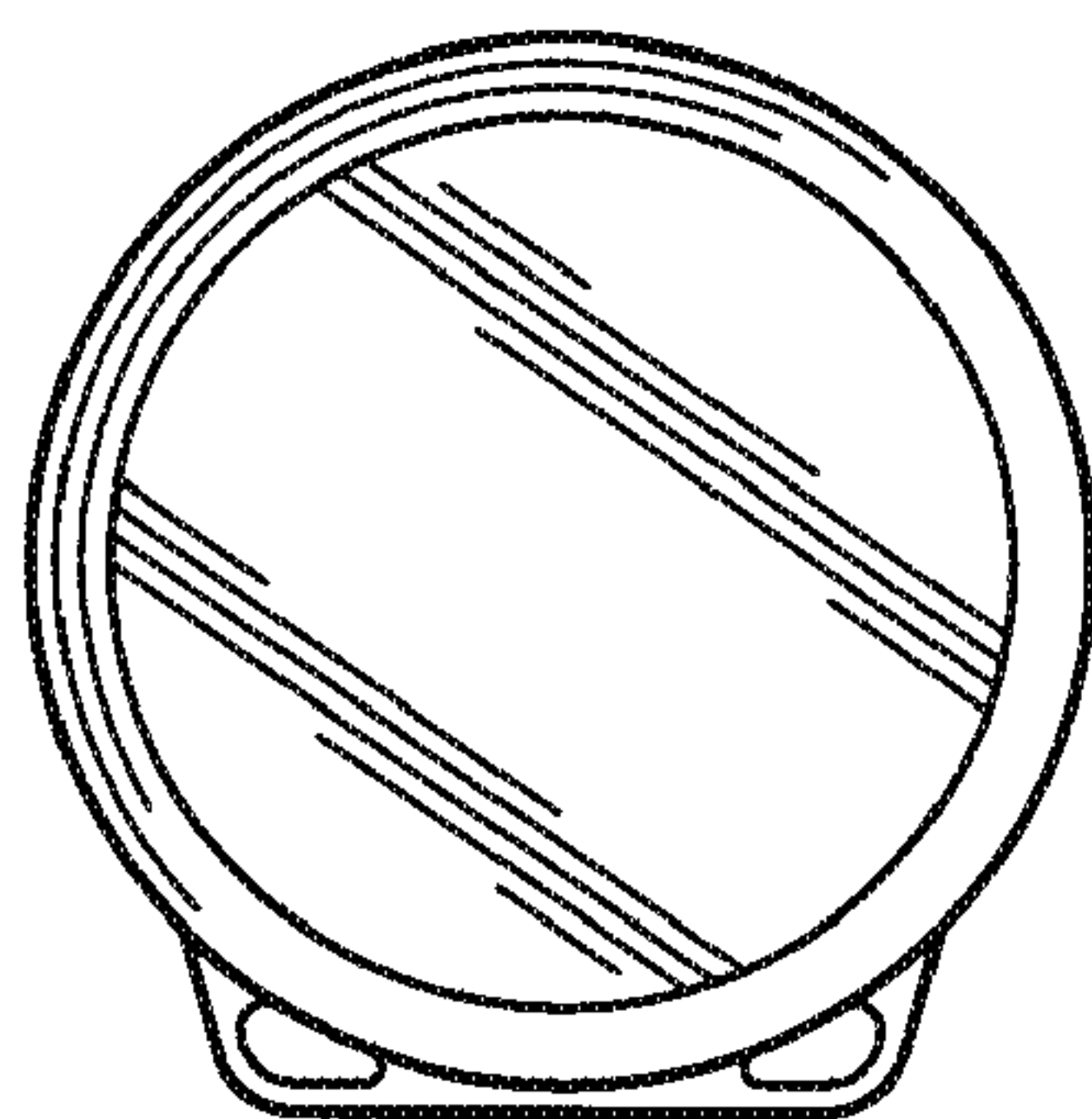


FIG. 5

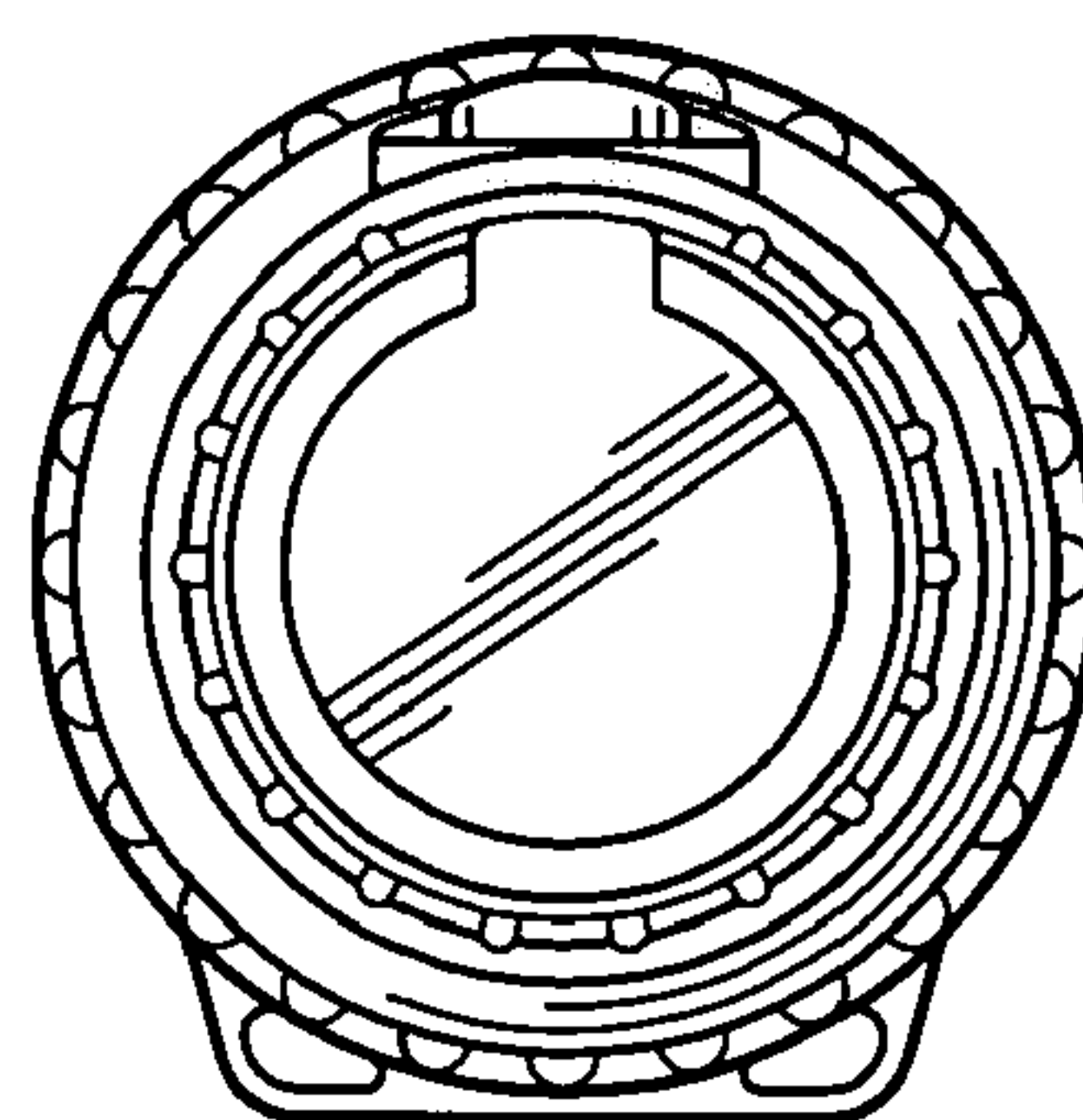


FIG. 6