



US00D616581S

(12) **United States Design Patent**
Bertken

(10) **Patent No.:** **US D616,581 S**

(45) **Date of Patent:** **** May 25, 2010**

(54) **TRAPDOOR FOR SPOT FLASHLIGHT**

(75) Inventor: **Dennis Bertken**, Solana Beach, CA
(US)

(73) Assignee: **Life+Gear, Inc.**, Solana Beach, CA (US)

(**) Term: **14 Years**

(21) Appl. No.: **29/346,231**

(22) Filed: **Oct. 28, 2009**

(51) **LOC (9) Cl.** **26-02**

(52) **U.S. Cl.** **D26/48**

(58) **Field of Classification Search** D26/37,
D26/44, 46, 48, 49; 362/157, 158, 184, 183,
362/197, 202-208

See application file for complete search history.

(56) **References Cited**

U.S. PATENT DOCUMENTS

D197,731 S *	3/1964	Ashe	D26/48
D272,654 S *	2/1984	Ho	D26/48
D289,800 S *	5/1987	Fenne	D26/48
D338,975 S *	8/1993	Yuen	D26/48
D353,055 S *	12/1994	Kish et al.	D26/48
D359,814 S *	6/1995	Yuen	D26/48
D360,043 S *	7/1995	Inukai	D26/48
D389,594 S *	1/1998	Poon	D26/48
D390,679 S *	2/1998	Chang	D26/38

D403,454 S *	12/1998	Zelina et al.	D26/48
D404,158 S *	1/1999	Yuen	D26/50
D446,326 S *	8/2001	Yeun	D26/48
D459,822 S *	7/2002	Poon	D26/48
D489,468 S *	5/2004	Lo	D26/37

* cited by examiner

Primary Examiner—Ian Simmons

Assistant Examiner—Carissa C Fitts

(74) *Attorney, Agent, or Firm*—Marger Johnson & McCollom, P.C.

(57) **CLAIM**

The ornamental design for a trapdoor for spot flashlight, as shown and described.

DESCRIPTION

FIG. 1 is a perspective view of the trapdoor for spot flashlight according to the present design;

FIG. 2 is a top plan view thereof;

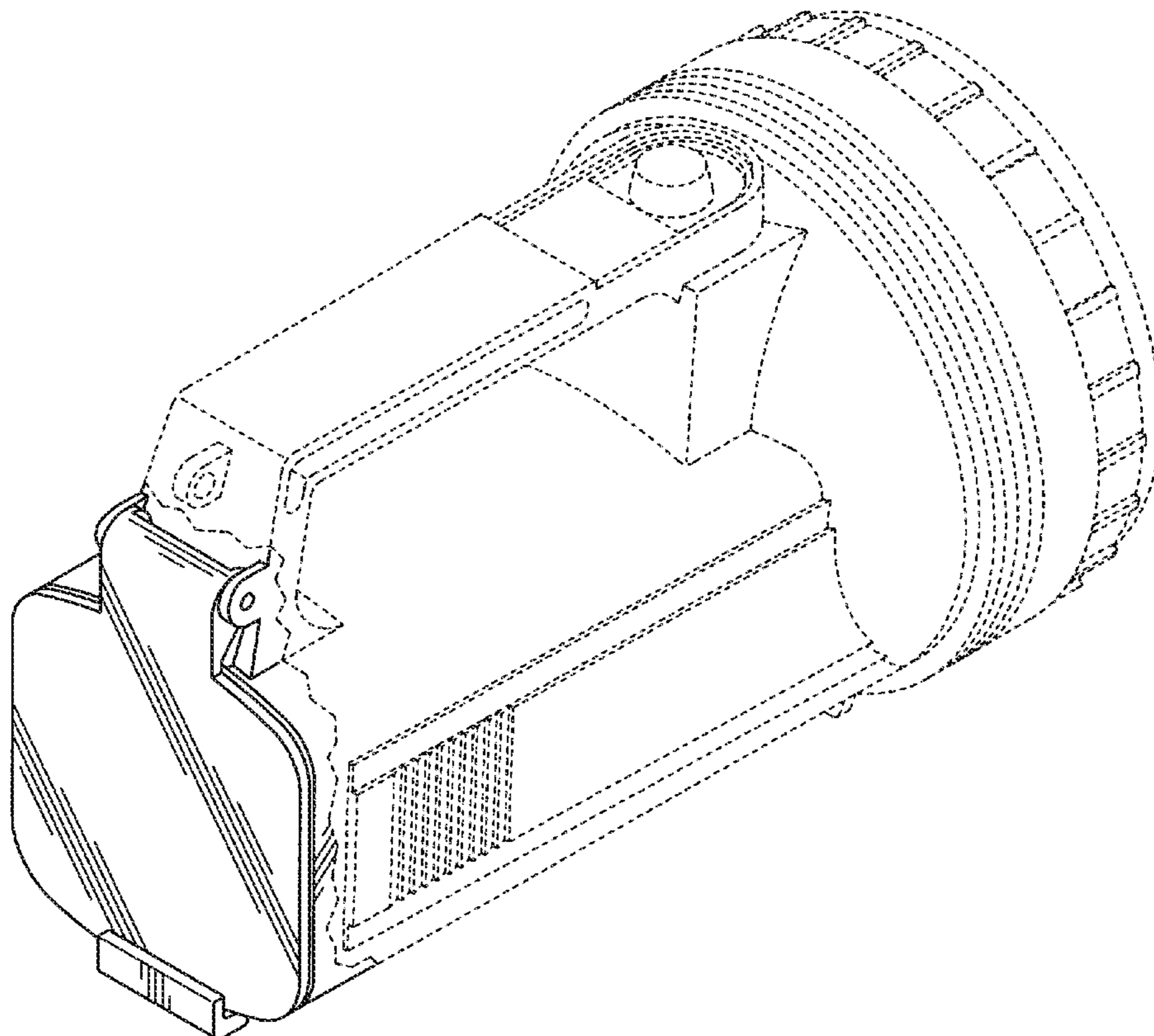
FIG. 3 is a left side elevation view thereof, the right side being a mirror image thereof;

FIG. 4 is a bottom plan view thereof; and,

FIG. 5 is a rear elevation view thereof.

The broken line showing is for environmental purposes only and forms no part of the claimed design.

1 Claim, 3 Drawing Sheets



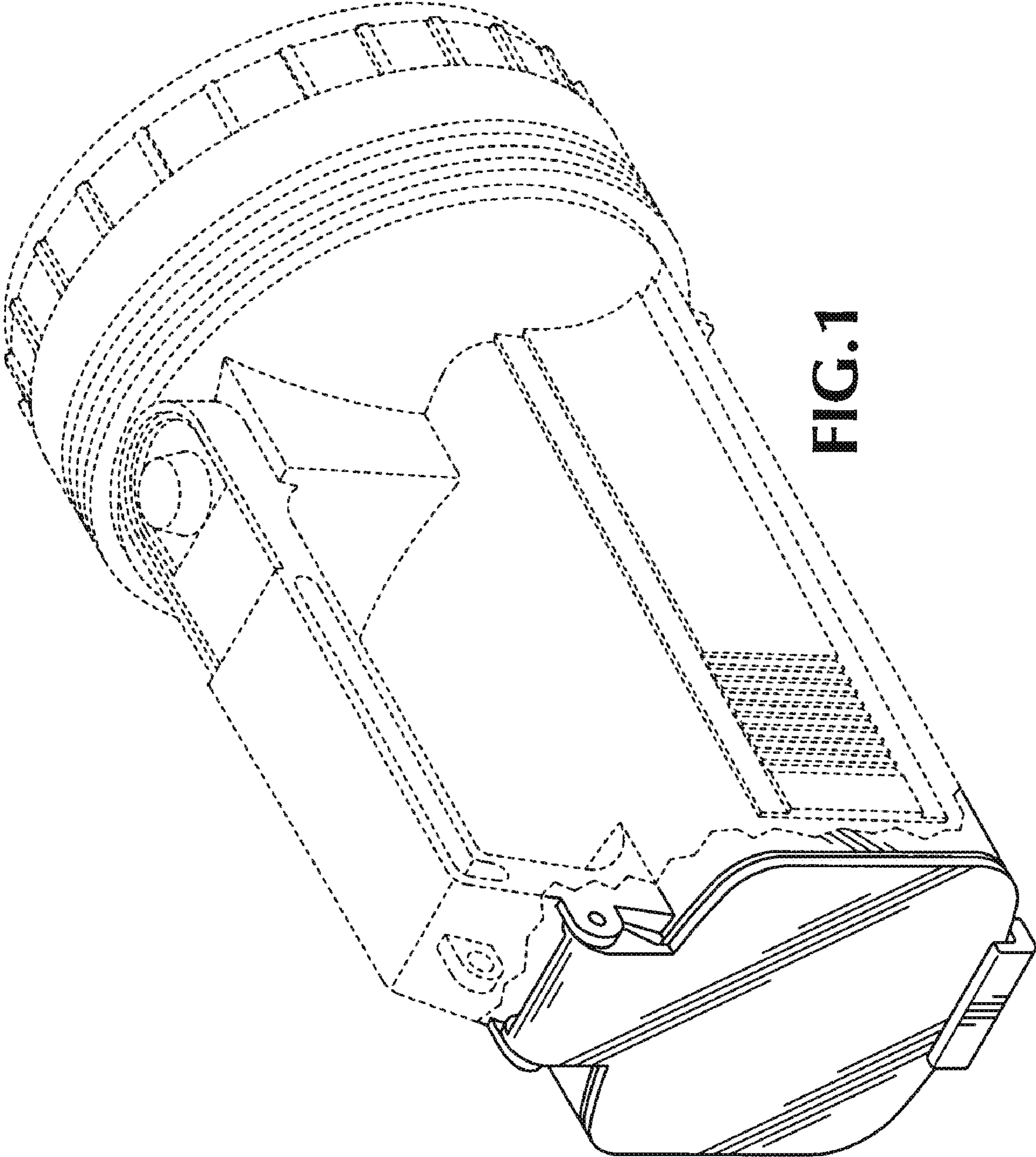


FIG. 1

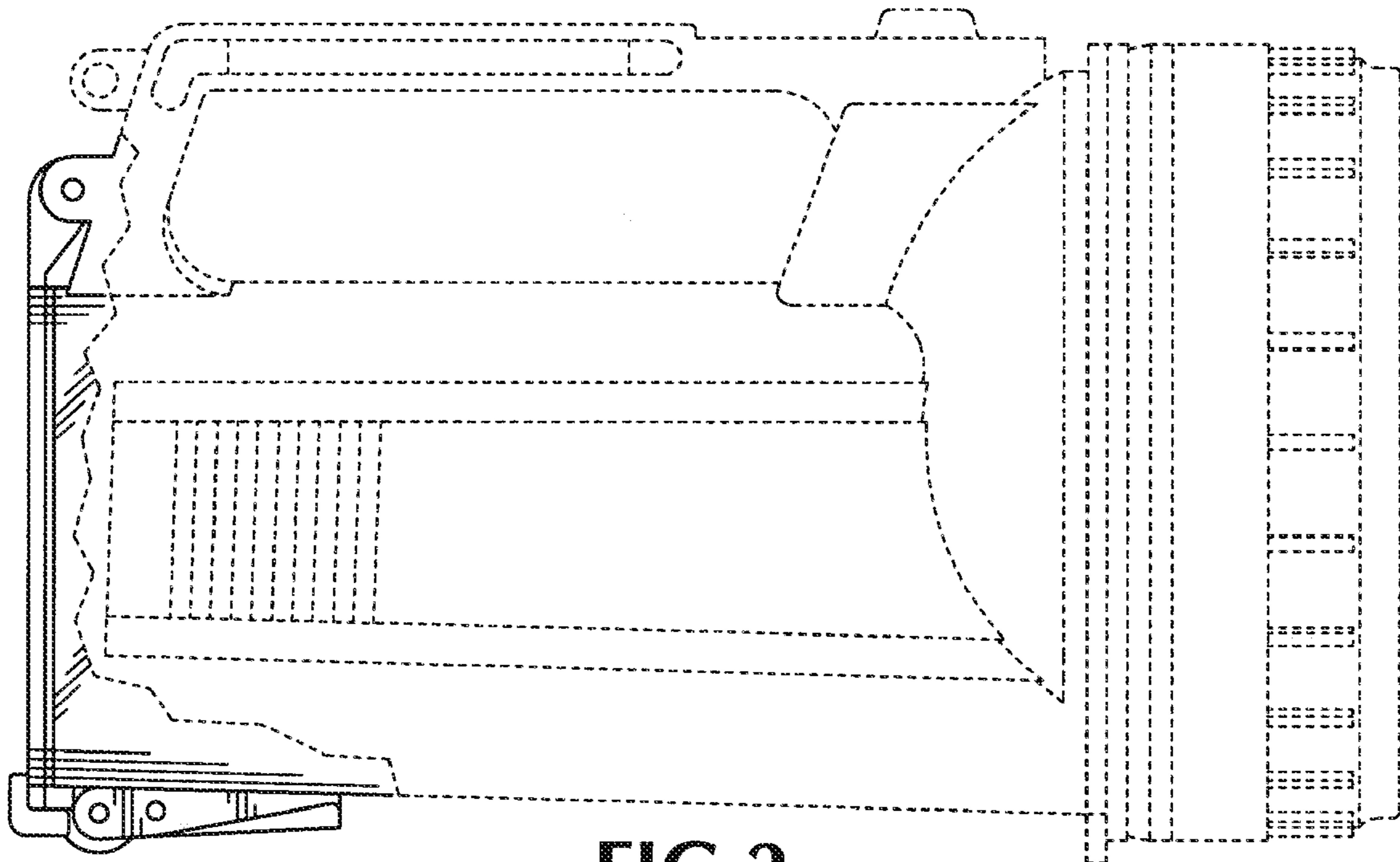


FIG. 2

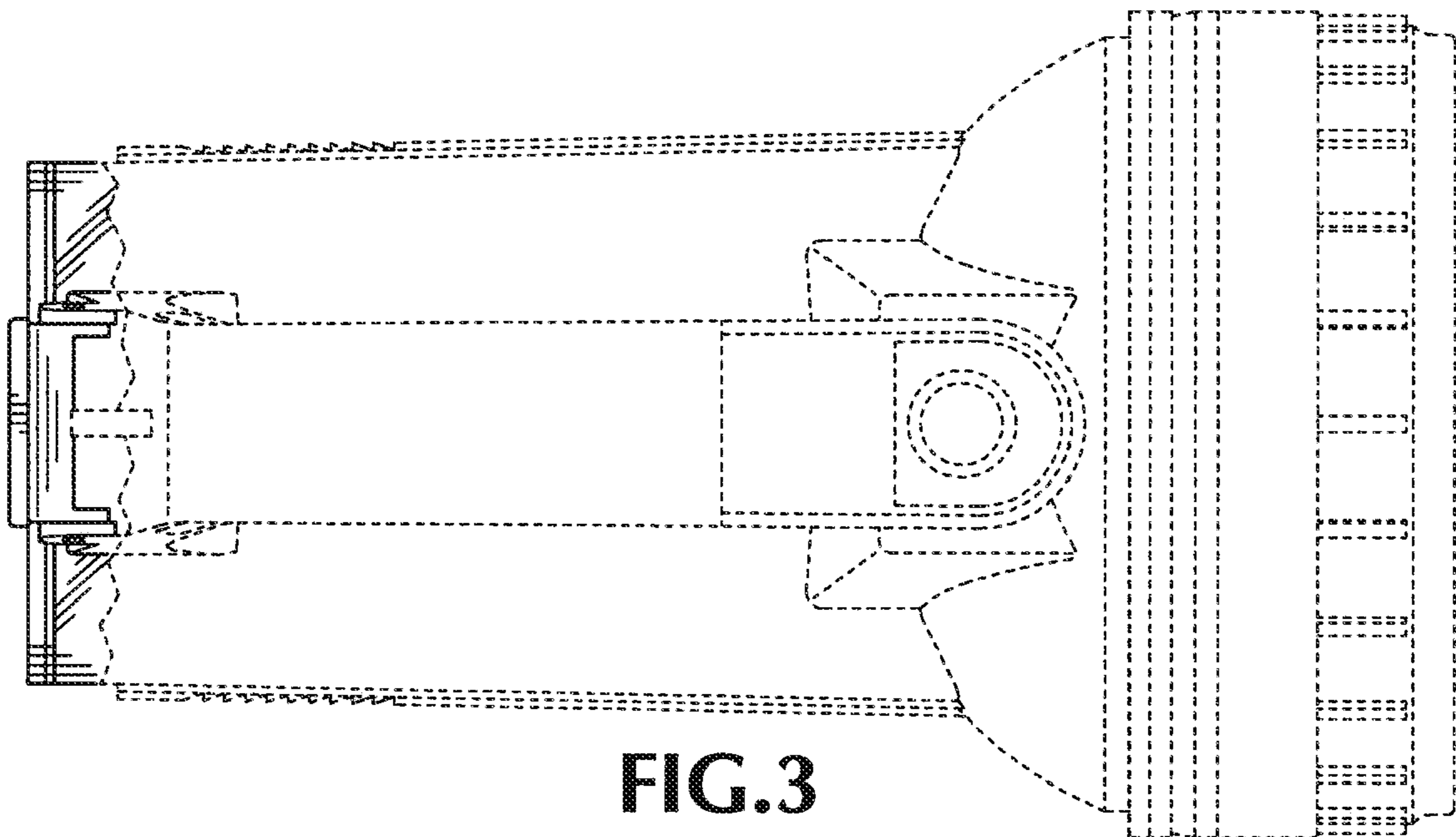


FIG. 3

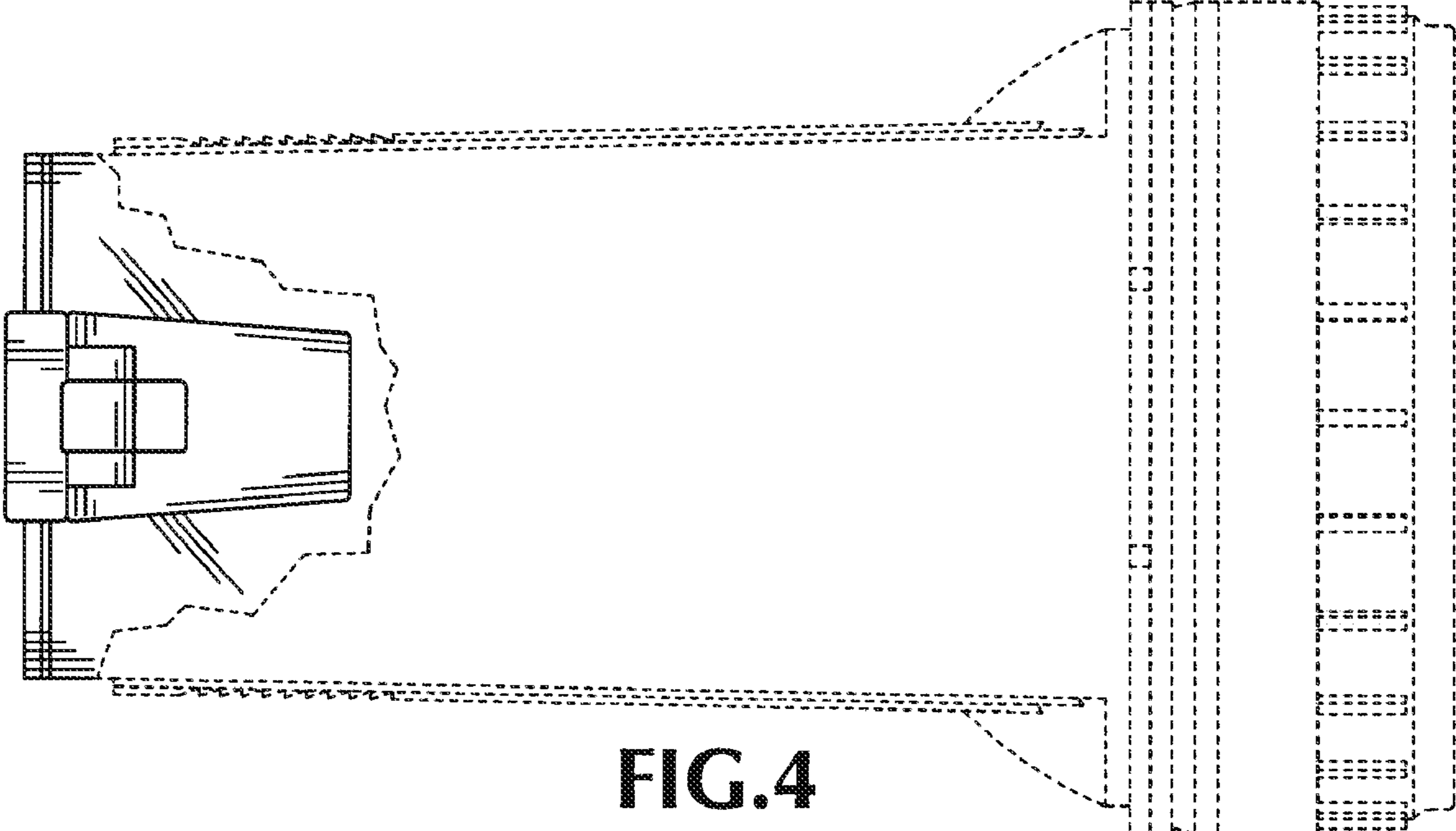


FIG. 4

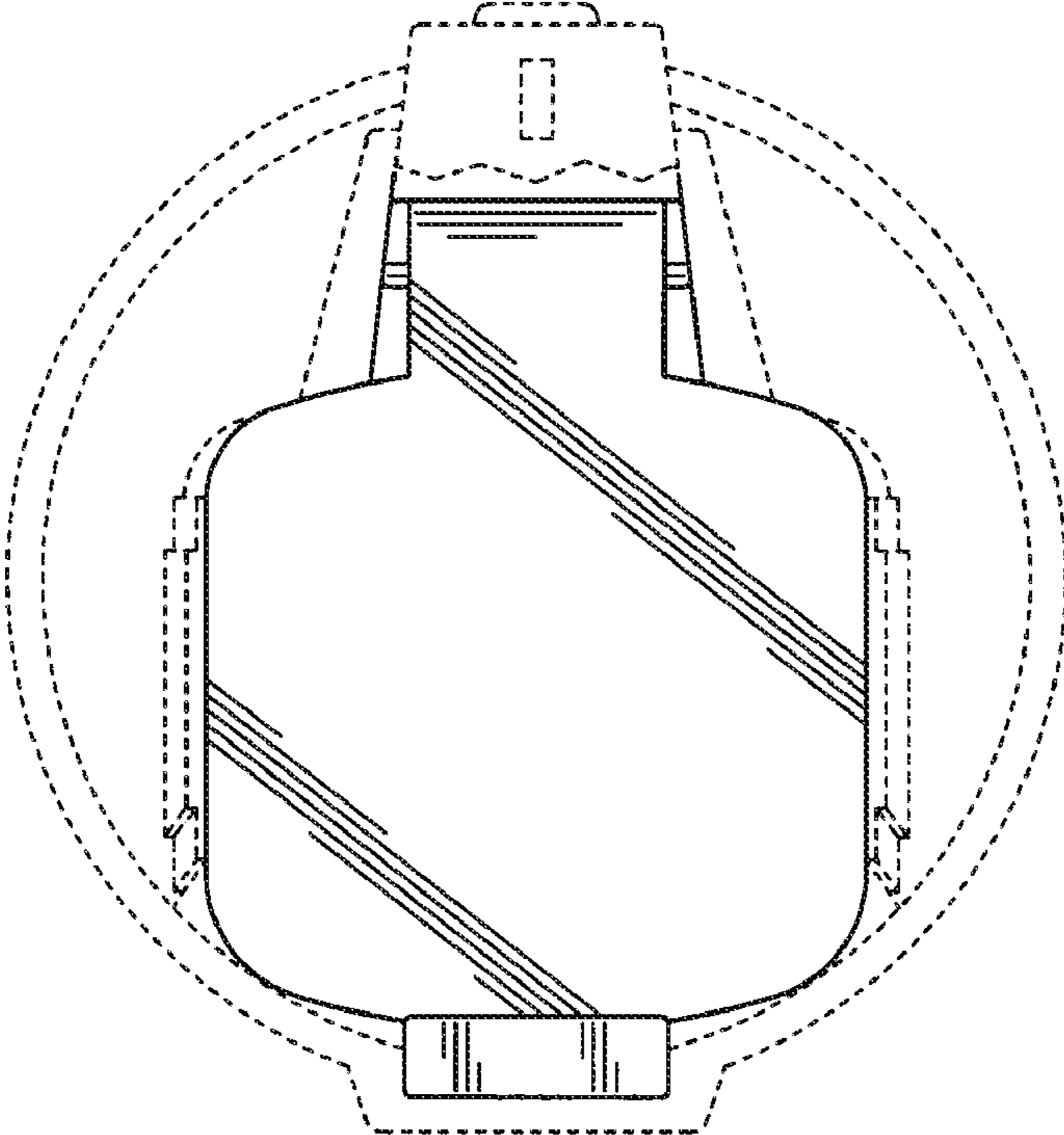


FIG. 5