



US00D616580S

(12) **United States Design Patent**
Bertken

(10) **Patent No.:** **US D616,580 S**

(45) **Date of Patent:** **** May 25, 2010**

(54) **SPOT FLASHLIGHT**

(75) Inventor: **Dennis Bertken**, Solana Beach, CA
(US)

(73) Assignee: **Life+Gear, Inc.**, Solana Beach, CA (US)

(**) Term: **14 Years**

(21) Appl. No.: **29/346,230**

(22) Filed: **Oct. 28, 2009**

(51) **LOC (9) Cl.** **26-02**

(52) **U.S. Cl.** **D26/48**

(58) **Field of Classification Search** D26/37,
D26/44, 46, 48, 49; 362/157, 158, 184, 183,
362/197, 202-208

See application file for complete search history.

(56) **References Cited**

U.S. PATENT DOCUMENTS

| | | | | |
|--------------|---------|-------------|-------|--------|
| D197,731 S * | 3/1964 | Ashe | | D26/48 |
| D272,654 S * | 2/1984 | Ho | | D26/48 |
| D289,800 S * | 5/1987 | Fenne | | D26/48 |
| D338,975 S * | 8/1993 | Yuen | | D26/48 |
| D353,055 S * | 12/1994 | Kish et al. | | D26/48 |
| D359,814 S * | 6/1995 | Yuen | | D26/48 |
| D360,043 S * | 7/1995 | Inukai | | D26/48 |

| | | | | |
|--------------|---------|---------------|-------|--------|
| D389,594 S * | 1/1998 | Poon | | D26/48 |
| D403,454 S * | 12/1998 | Zelina et al. | | D26/48 |
| D404,158 S * | 1/1999 | Yuen | | D26/50 |
| D446,326 S * | 8/2001 | Yeun | | D26/48 |
| D489,468 S * | 5/2004 | Lo | | D26/37 |

* cited by examiner

Primary Examiner—Ian Simmons

Assistant Examiner—Carissa C Fitts

(74) *Attorney, Agent, or Firm*—Marger Johnson & McCollom, P.C.

(57) **CLAIM**

The ornamental design for a spot flashlight, as shown and described.

DESCRIPTION

FIG. 1 is a perspective view of the spot flashlight according to the present design;

FIG. 2 is a top plan view of the design of FIG. 1;

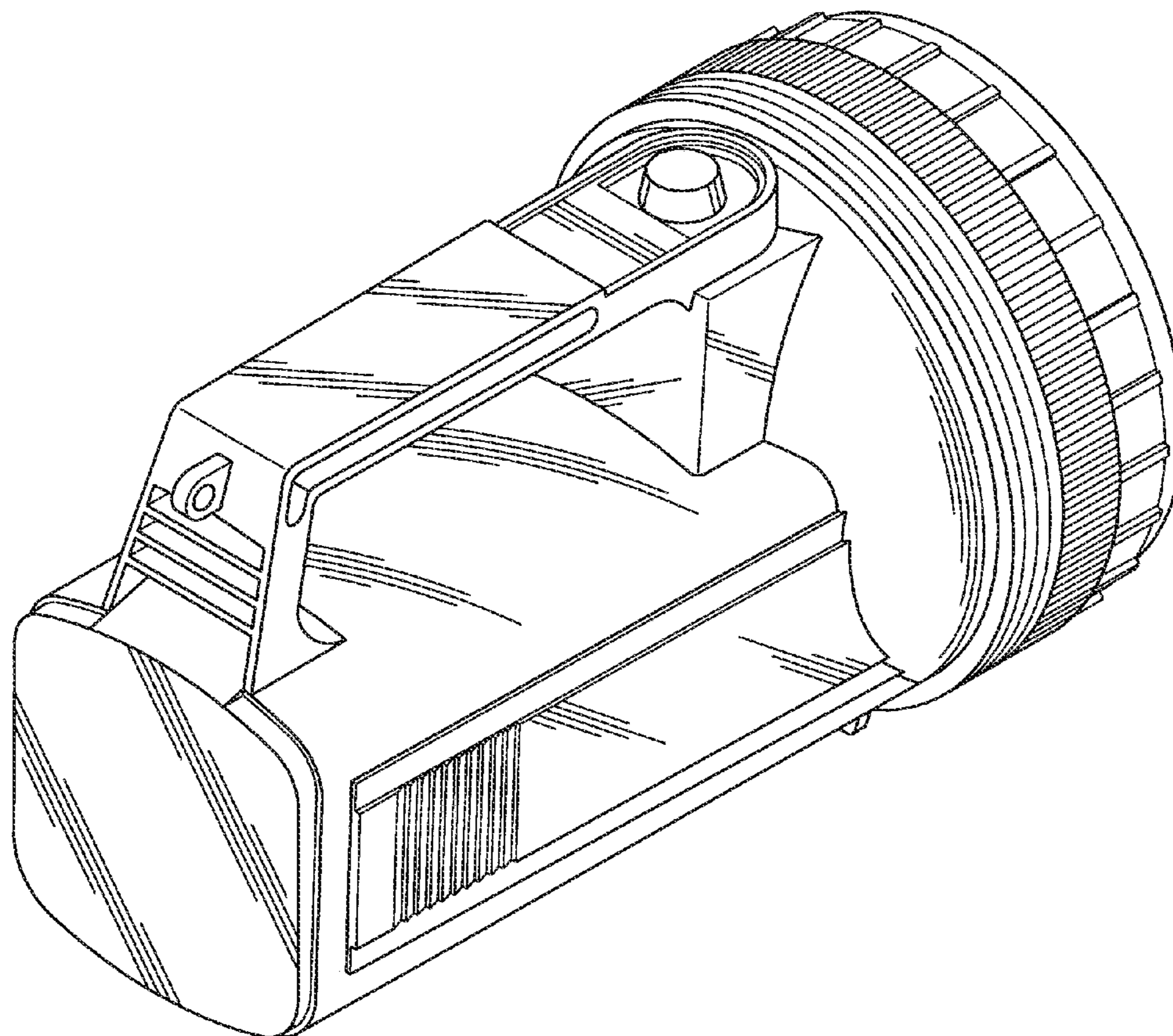
FIG. 3 is a left side elevation view of the design of FIG. 1, the right side being a mirror image thereof;

FIG. 4 is a bottom plan view of the design of FIG. 1;

FIG. 5 is a front elevation view of the design of FIG. 1; and,

FIG. 6 is a rear elevation view of the design of FIG. 1.

1 Claim, 4 Drawing Sheets



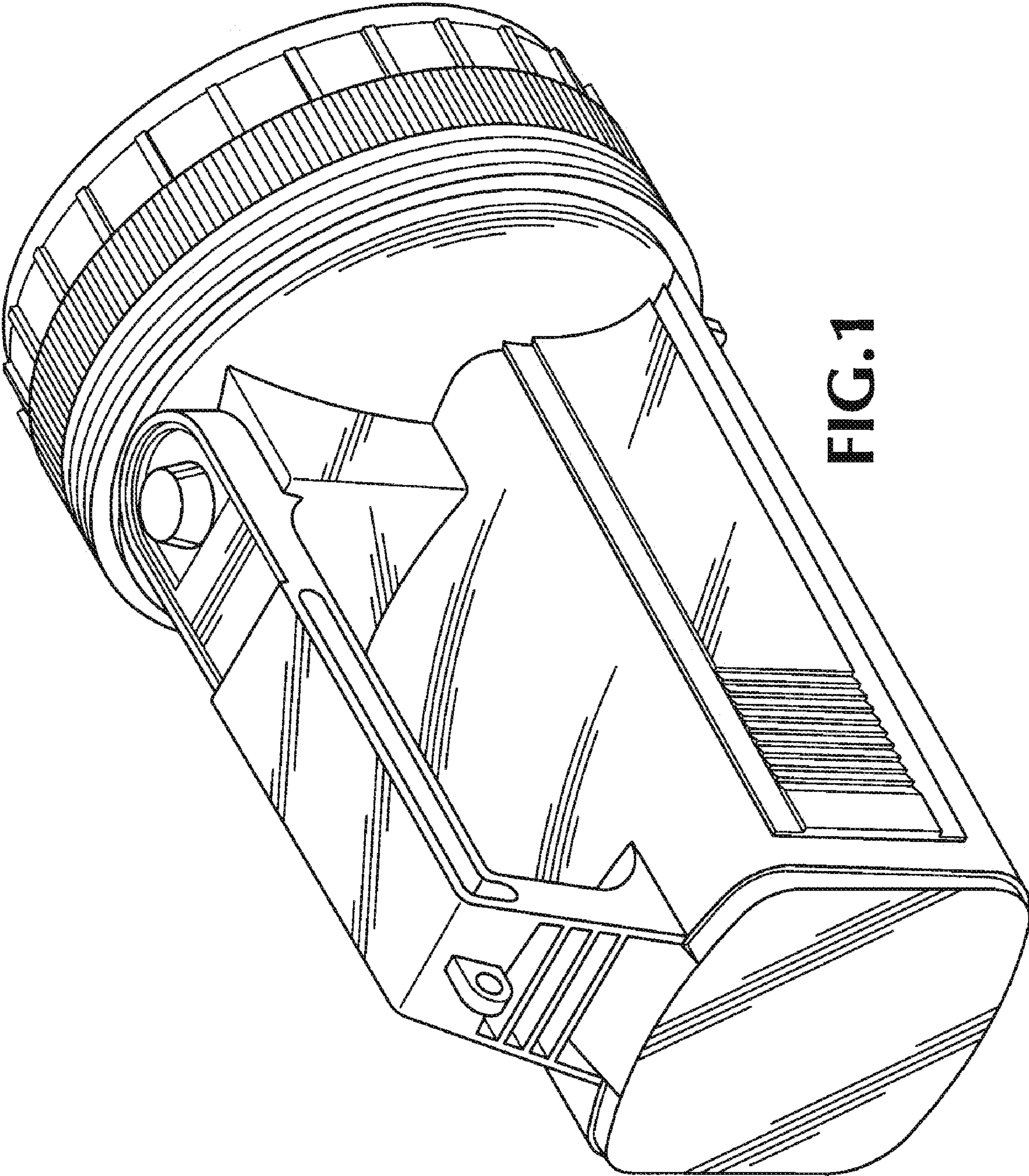


FIG. 1

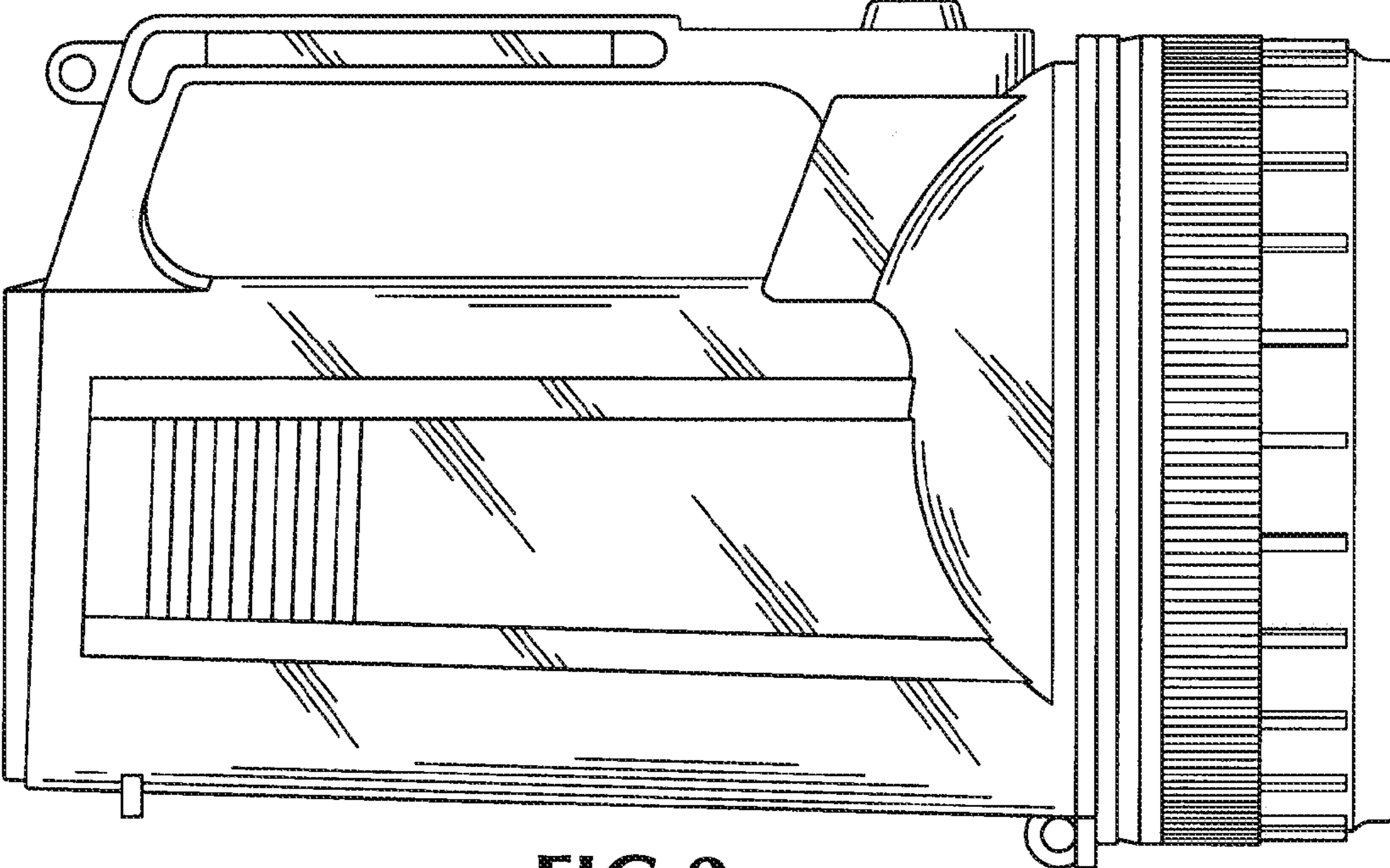


FIG. 2

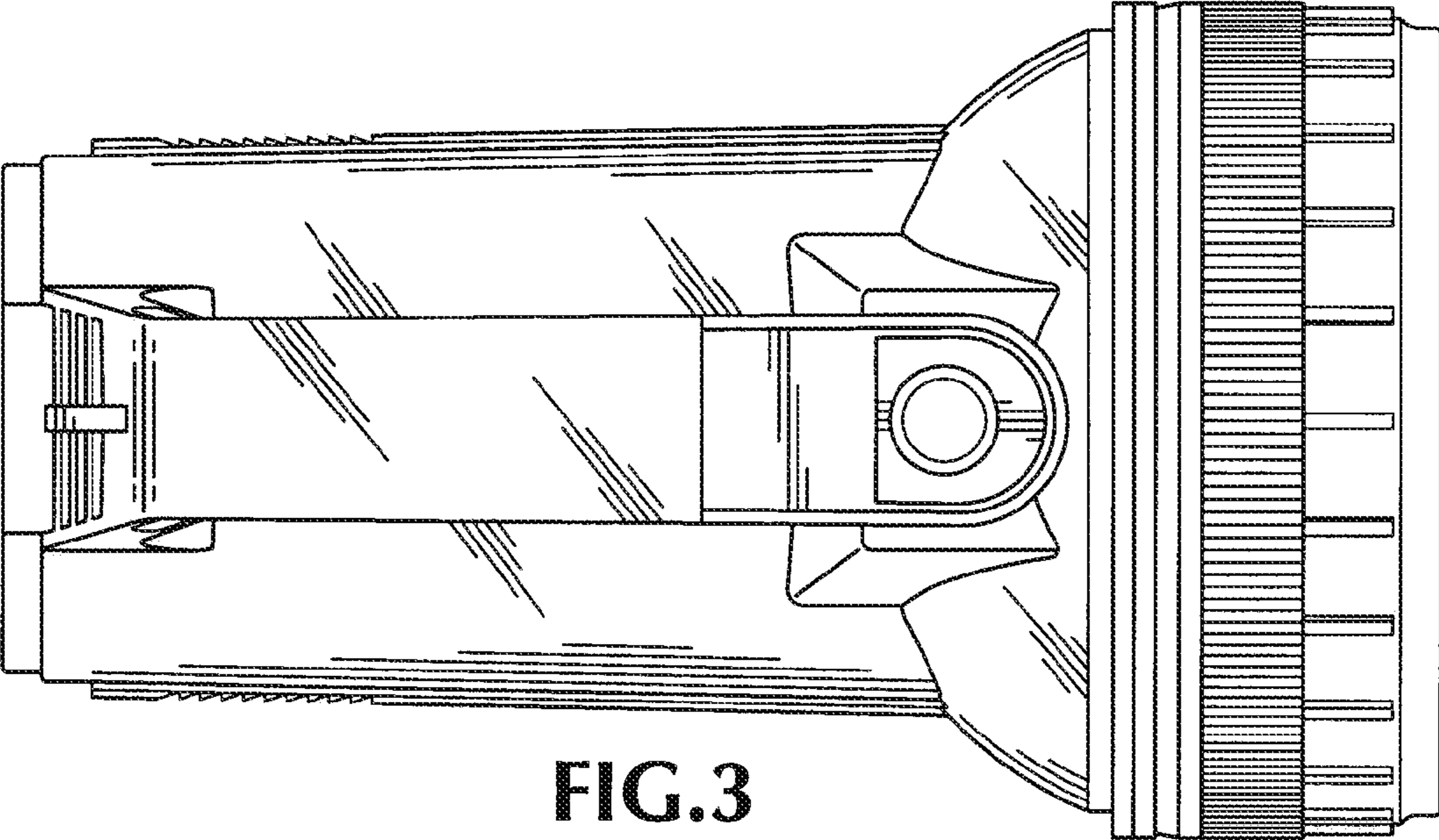


FIG. 3

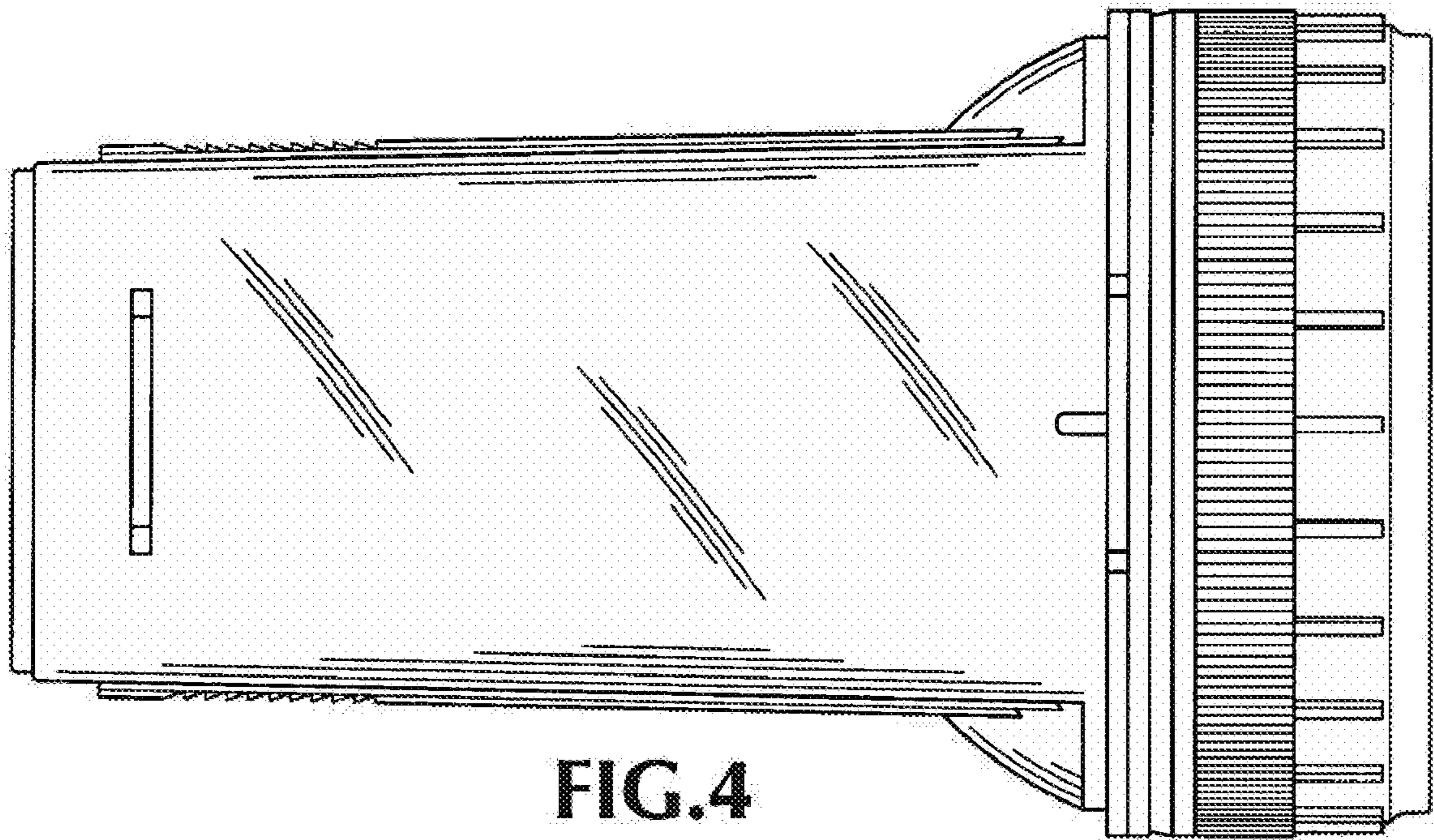


FIG. 4

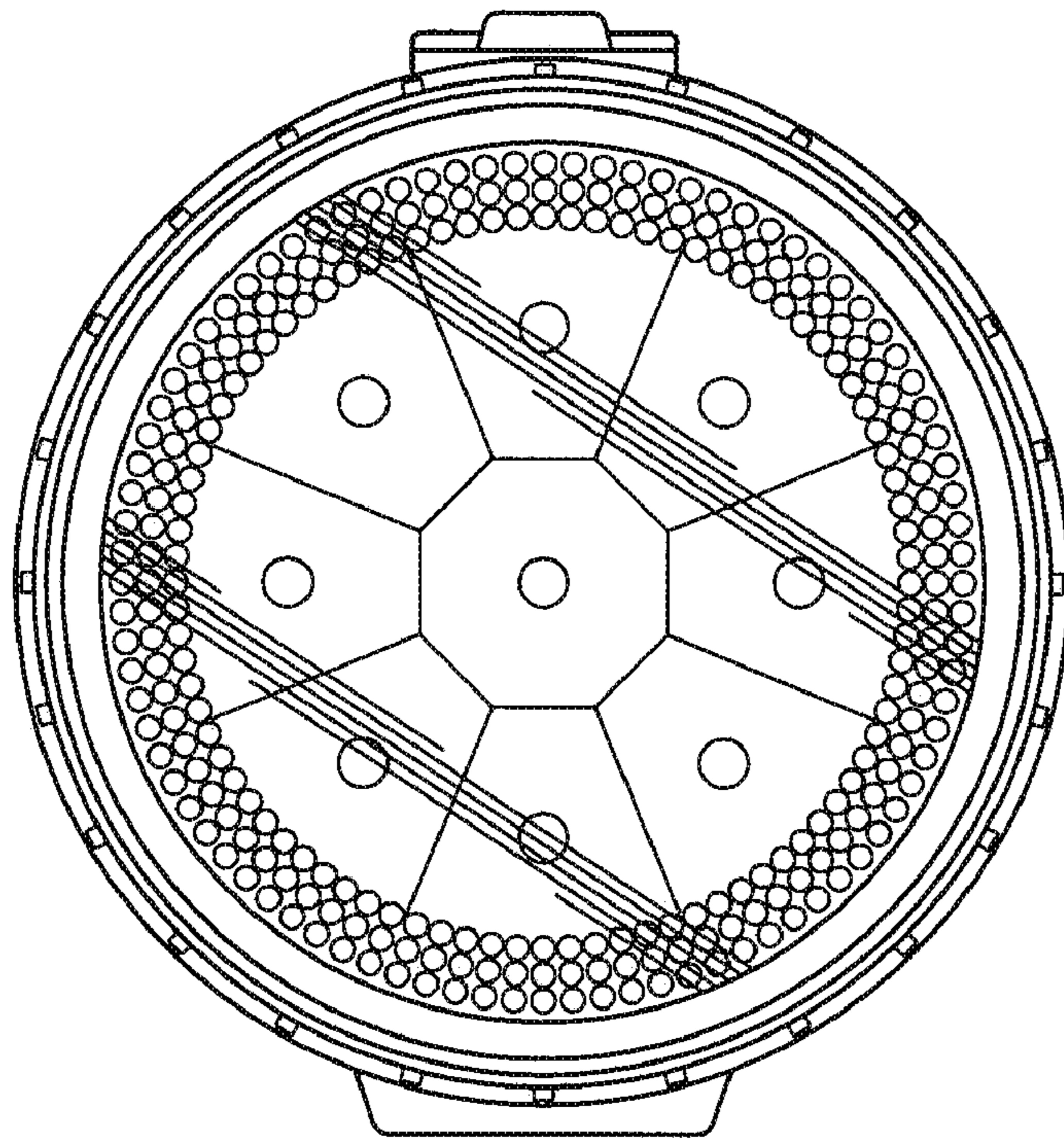


FIG. 5

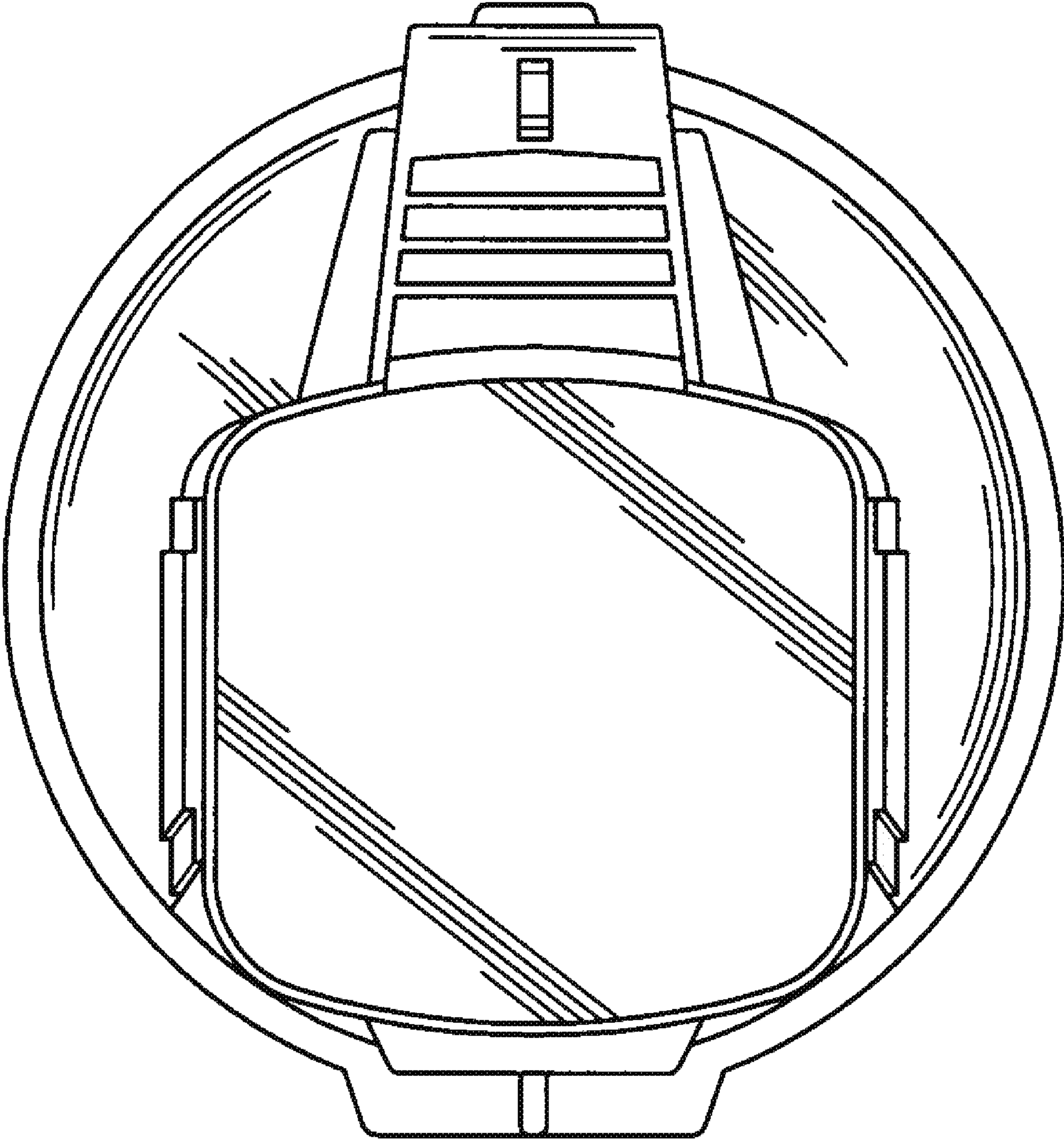


FIG.6