



US00D616578S

(12) **United States Design Patent**  
**Leung et al.**

(10) **Patent No.:** **US D616,578 S**  
(45) **Date of Patent:** **\*\* May 25, 2010**

(54) **LANTERN**

(76) Inventors: **Ambrose Shing-Yin Leung**, Unit 901,  
53-57 Kwai Fung Crescent, Kwai Chung,  
NT (HK); **Benson Chung-Pun Leung**,  
Unit 901, 53-57 Kwai Fung Crescent,  
Kwai Chung, NT (HK)

(\*\*) Term: **14 Years**

(21) Appl. No.: **29/345,658**

(22) Filed: **Oct. 20, 2009**

(51) **LOC (9) Cl.** ..... **26-02**

(52) **U.S. Cl.** ..... **D26/41**

(58) **Field of Classification Search** ..... D26/37,  
D26/40, 41, 42, 46, 49, 45, 50; 362/157,  
362/158, 170-174, 184, 183, 182, 186, 194-196,  
362/201-208

See application file for complete search history.

(56) **References Cited**

**U.S. PATENT DOCUMENTS**

D105,656 S *	8/1937	Fedrico	.....	D26/40
D390,984 S	2/1998	Long		
D393,323 S	4/1998	Howard		
D461,577 S *	8/2002	Cheong	.....	D26/67
D485,928 S	1/2004	Leung		
D487,809 S	3/2004	Leung		
D491,302 S *	6/2004	Krieger et al.	.....	D26/40
D505,216 S *	5/2005	Chen	.....	D26/40

D521,167 S *	5/2006	Krieger et al.	.....	D26/40
D521,669 S *	5/2006	Krieger et al.	.....	D26/40
D527,128 S	8/2006	Lo		
D537,966 S	3/2007	Lo		
D539,953 S	4/2007	Leung		
D545,984 S	7/2007	Leung		
D556,928 S *	12/2007	Poon	.....	D26/40
D556,929 S	12/2007	Tarter		
D576,329 S *	9/2008	Poon	.....	D26/40

\* cited by examiner

*Primary Examiner*—Ian Simmons

*Assistant Examiner*—Carissa C Fitts

(74) *Attorney, Agent, or Firm*—Bishop & Diehl, Ltd.

(57) **CLAIM**

The ornamental design for a lantern, as shown and described.

**DESCRIPTION**

FIG. 1 is a perspective view of the lantern of the claimed invention;

FIG. 2 is a front view of the lantern of FIG. 1;

FIG. 3 is a rear view of the lantern of FIG. 1;

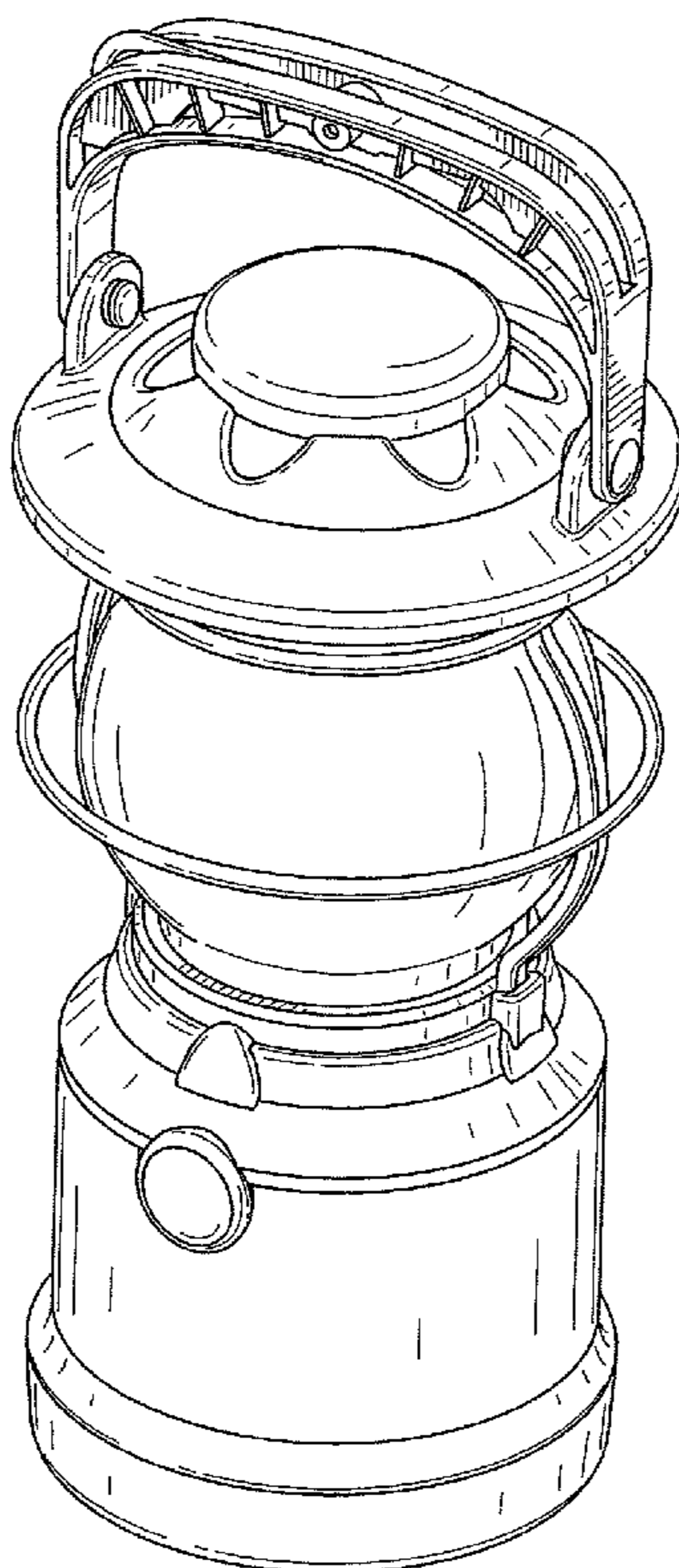
FIG. 4 is a left side view of the lantern of FIG. 1;

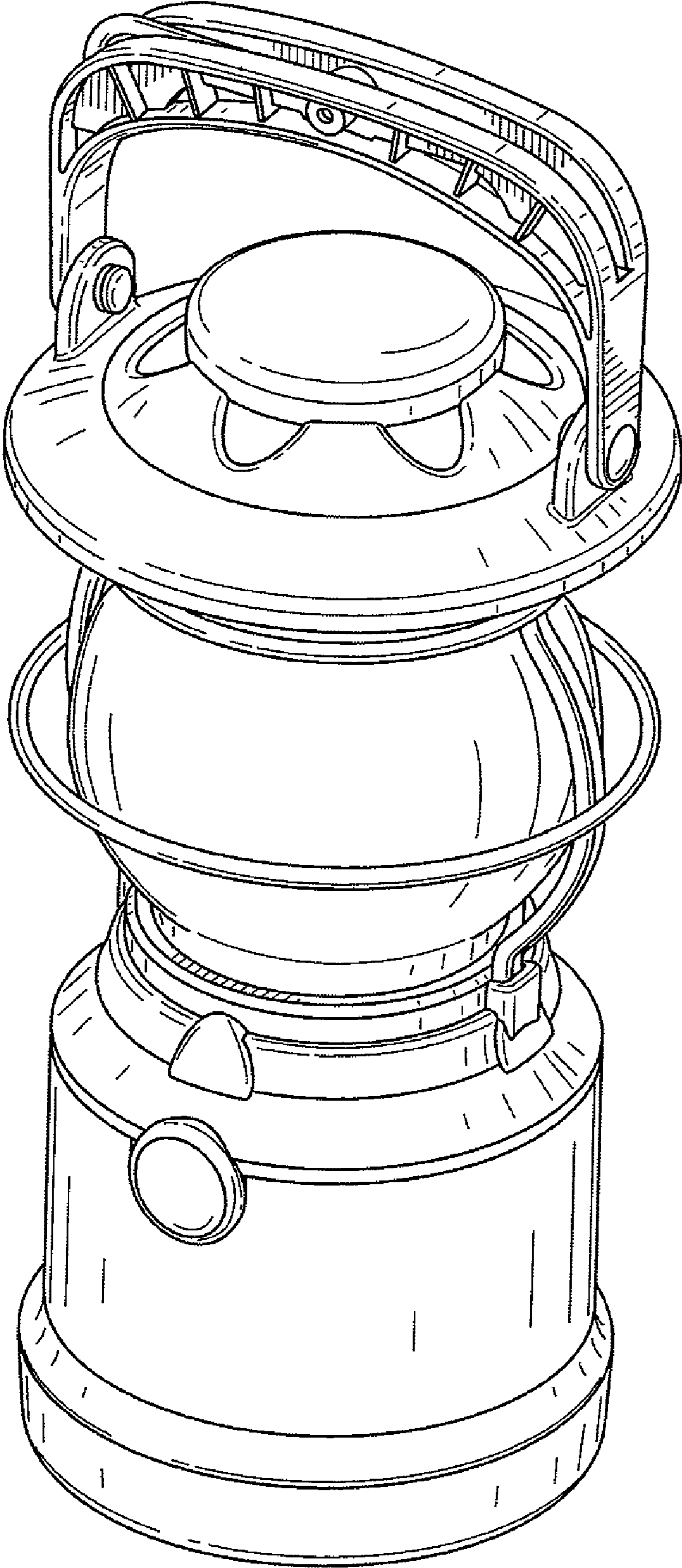
FIG. 5 is a right side view of the lantern of FIG. 1;

FIG. 6 is a top plan view of the lantern of FIG. 1; and,

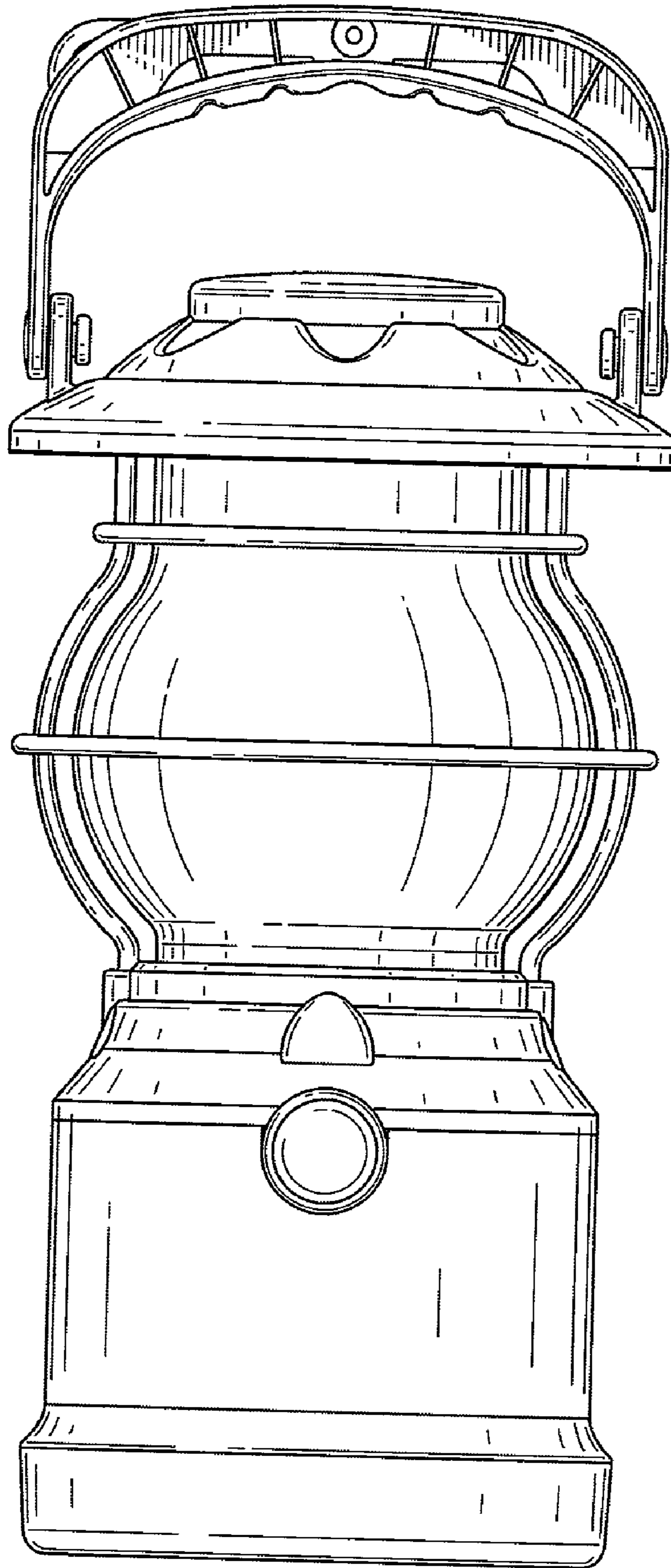
FIG. 7 is a bottom plan view of the lantern of FIG. 1.

**1 Claim, 6 Drawing Sheets**

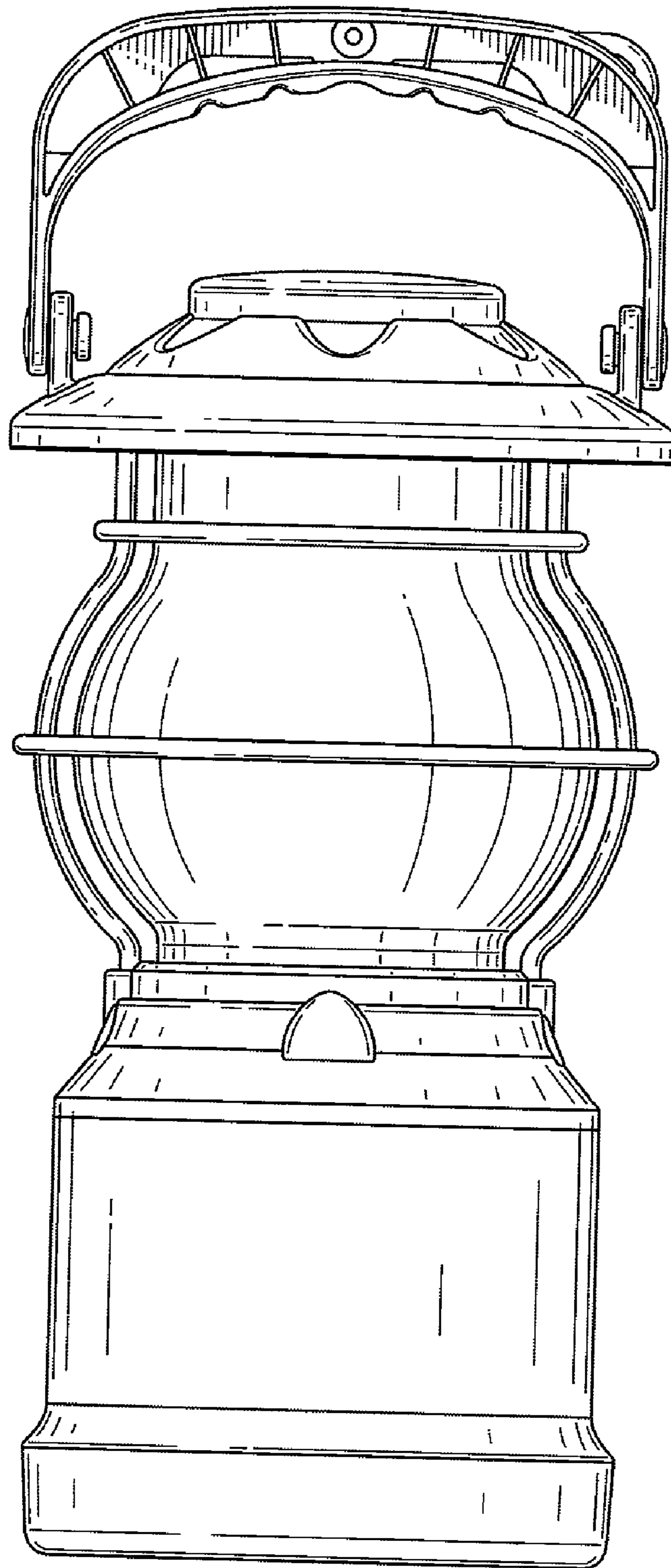




**FIG. 1**

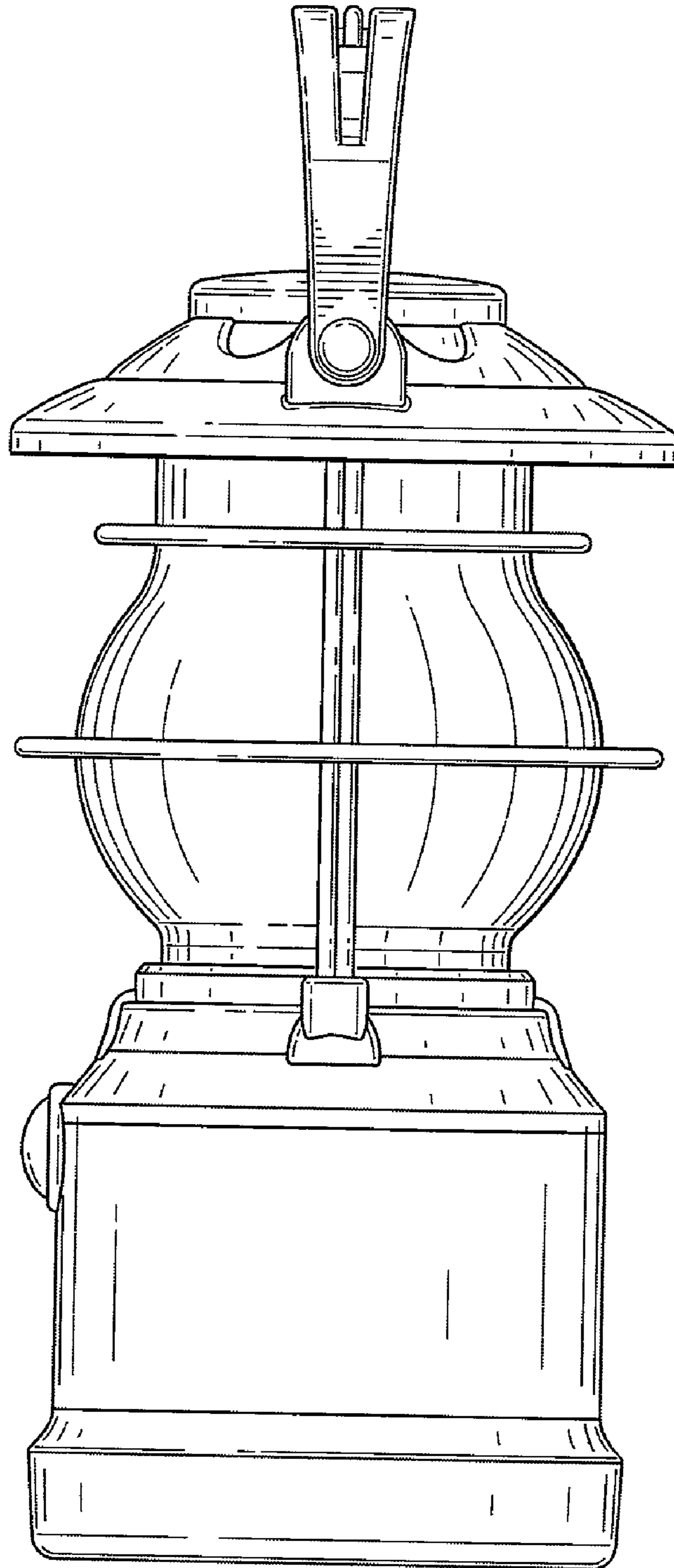


**FIG. 2**

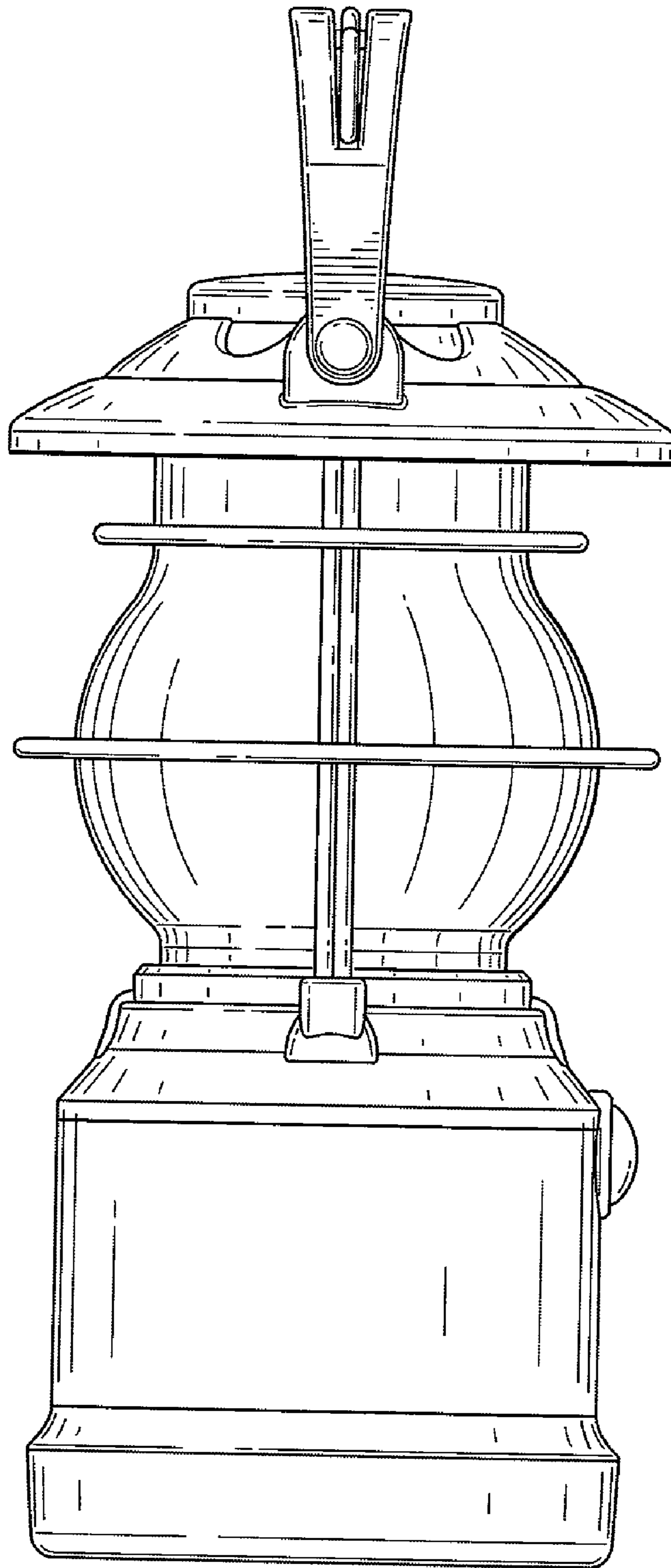


**FIG. 3**

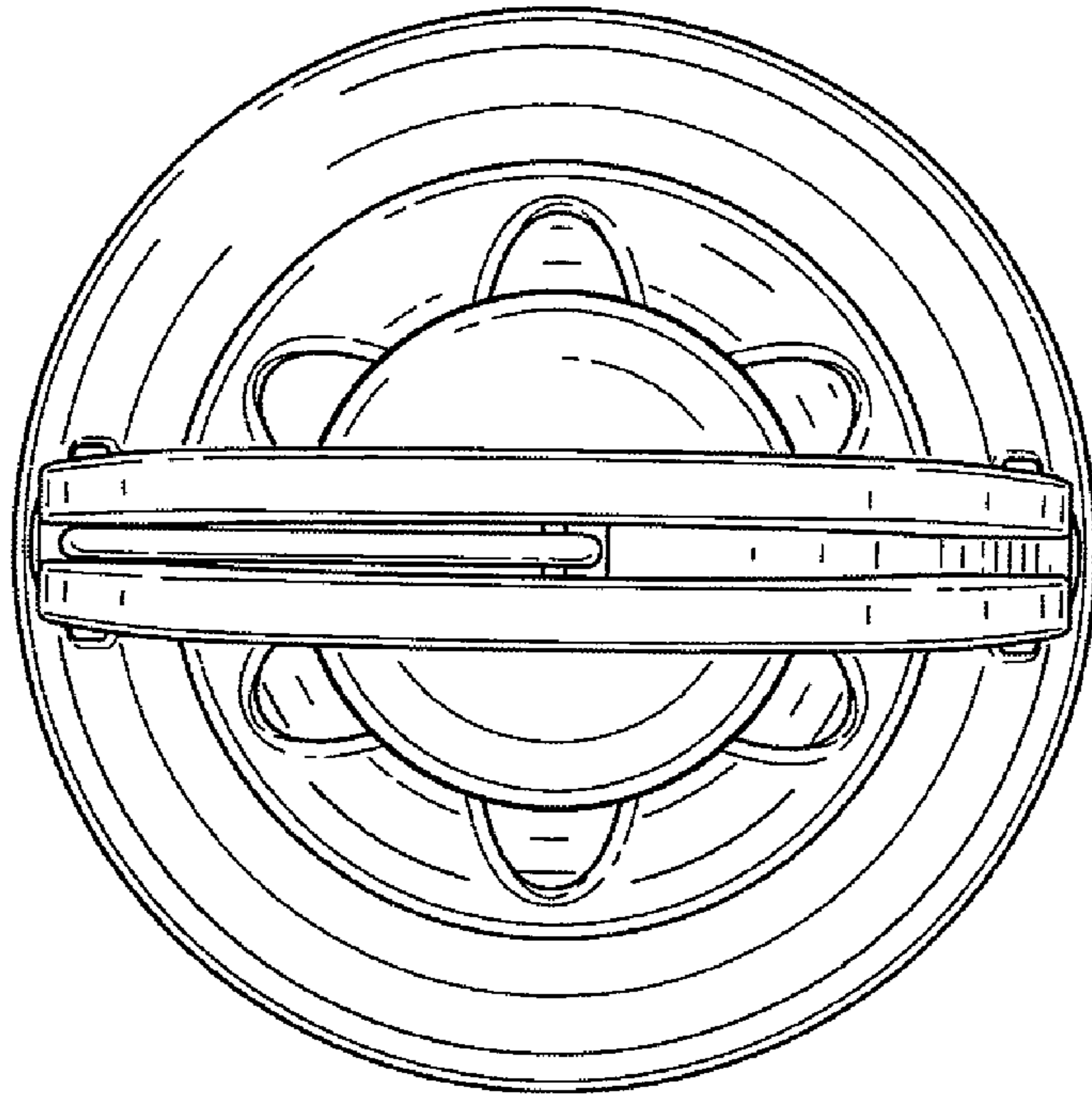




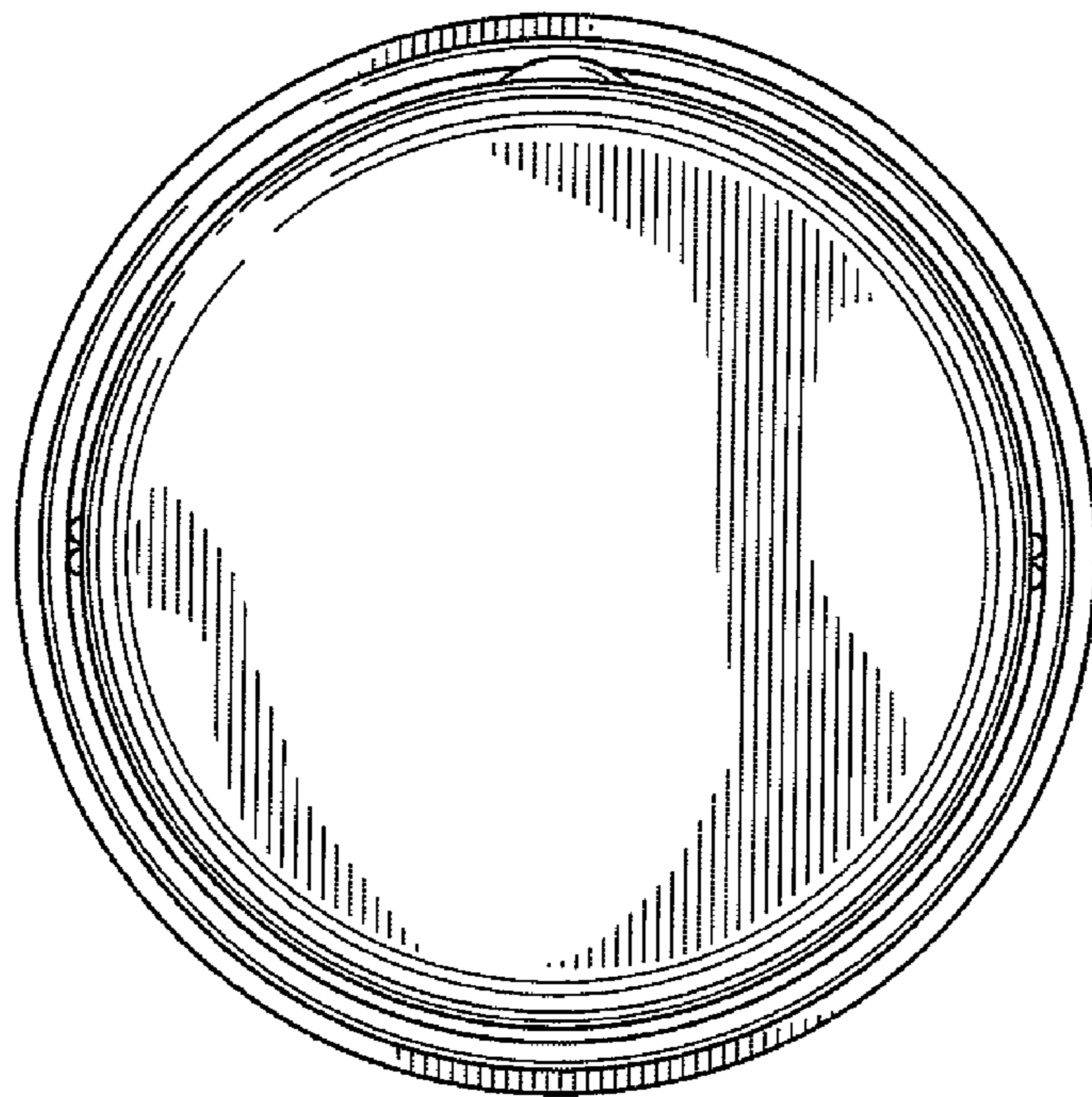
**FIG. 4**



**FIG. 5**



**FIG. 6**



**FIG. 7**