



US00D616575S

(12) **United States Design Patent**
Chen et al.

(10) **Patent No.:** **US D616,575 S**
(45) **Date of Patent:** **** May 25, 2010**

(54) **LED LAMP**

D553,267 S * 10/2007 Yuen D26/2
D590,523 S * 4/2009 Takahashi D26/2
D600,368 S * 9/2009 Bertram et al. D26/2

(75) Inventors: **Chen-Yu Chen**, Shulin (TW);
Chih-Lung Liang, Taipei (TW); **Yan-Yu Wang**, Yingge Township, Taipei County (TW)

* cited by examiner

Primary Examiner—Marcus A Jackson
(74) *Attorney, Agent, or Firm*—Rabin & Berdo, P.C.

(73) Assignees: **Silitek Electronics (Guangzhou) Co., Ltd.**, Guangzhou (CN); **Lite-On Technology Corporation**, Taipei (TW)

(57) **CLAIM**

The ornamental design for a “LED lamp,” as shown and described.

(**) Term: **14 Years**

(21) Appl. No.: **29/350,627**

DESCRIPTION

(22) Filed: **Nov. 20, 2009**

FIG. 1 is a perspective view of a “LED lamp” showing our new design;

(51) **LOC (9) Cl.** **26-04**

FIG. 2 is a front view thereof;

(52) **U.S. Cl.** **D26/2**

FIG. 3 is a rear view thereof;

(58) **Field of Classification Search** D26/1-4;
313/313, 315, 316, 317, 318, 493; 315/52,
315/53, 56, 57, 58

FIG. 4 is a left side view thereof;

FIG. 5 is a right side view thereof;

See application file for complete search history.

FIG. 6 is a top view thereof;

FIG. 7 is a bottom view thereof; and,

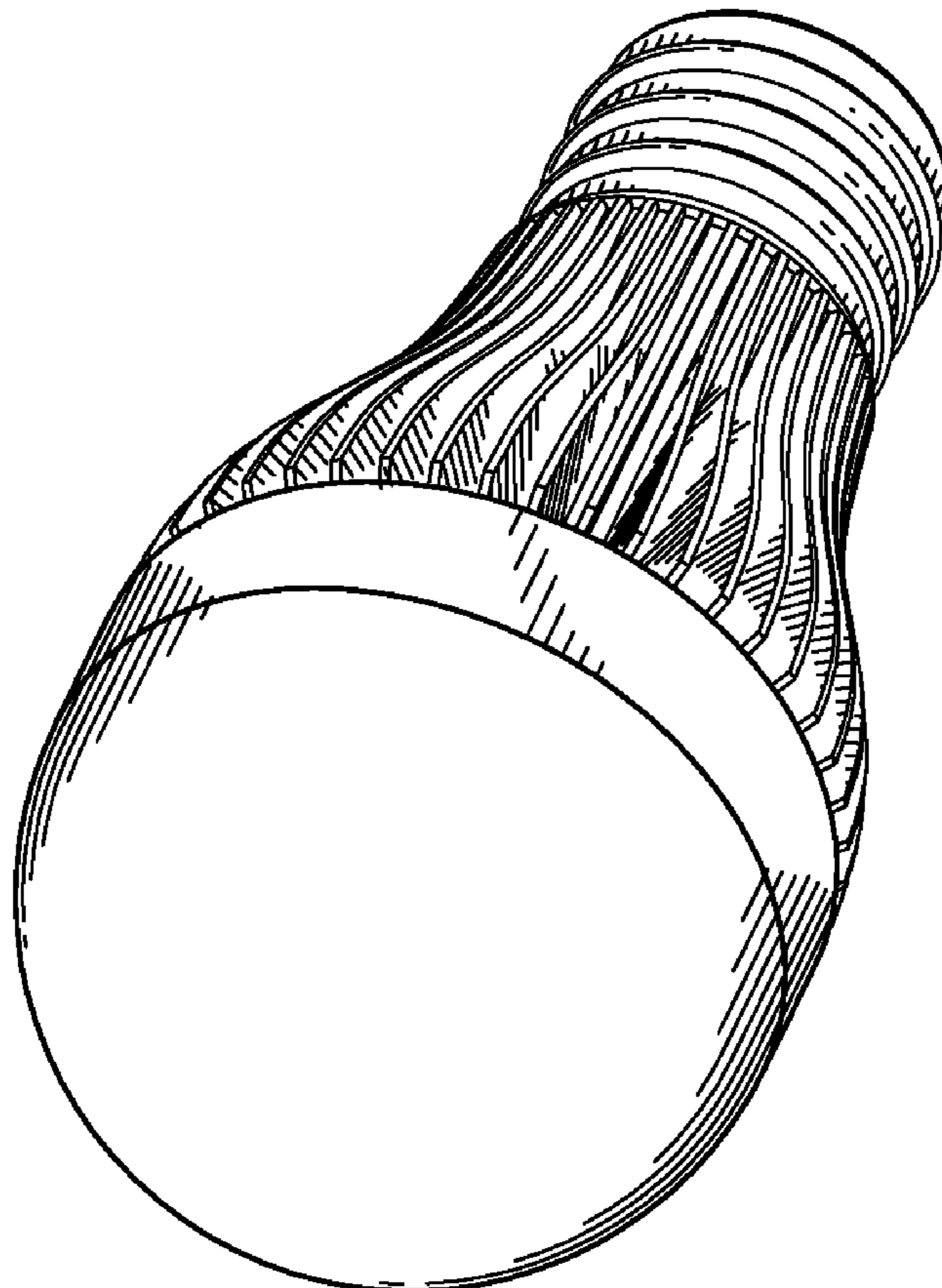
FIG. 8 is another perspective view thereof.

(56) **References Cited**

U.S. PATENT DOCUMENTS

D531,741 S * 11/2006 Takahashi D26/2

1 Claim, 5 Drawing Sheets



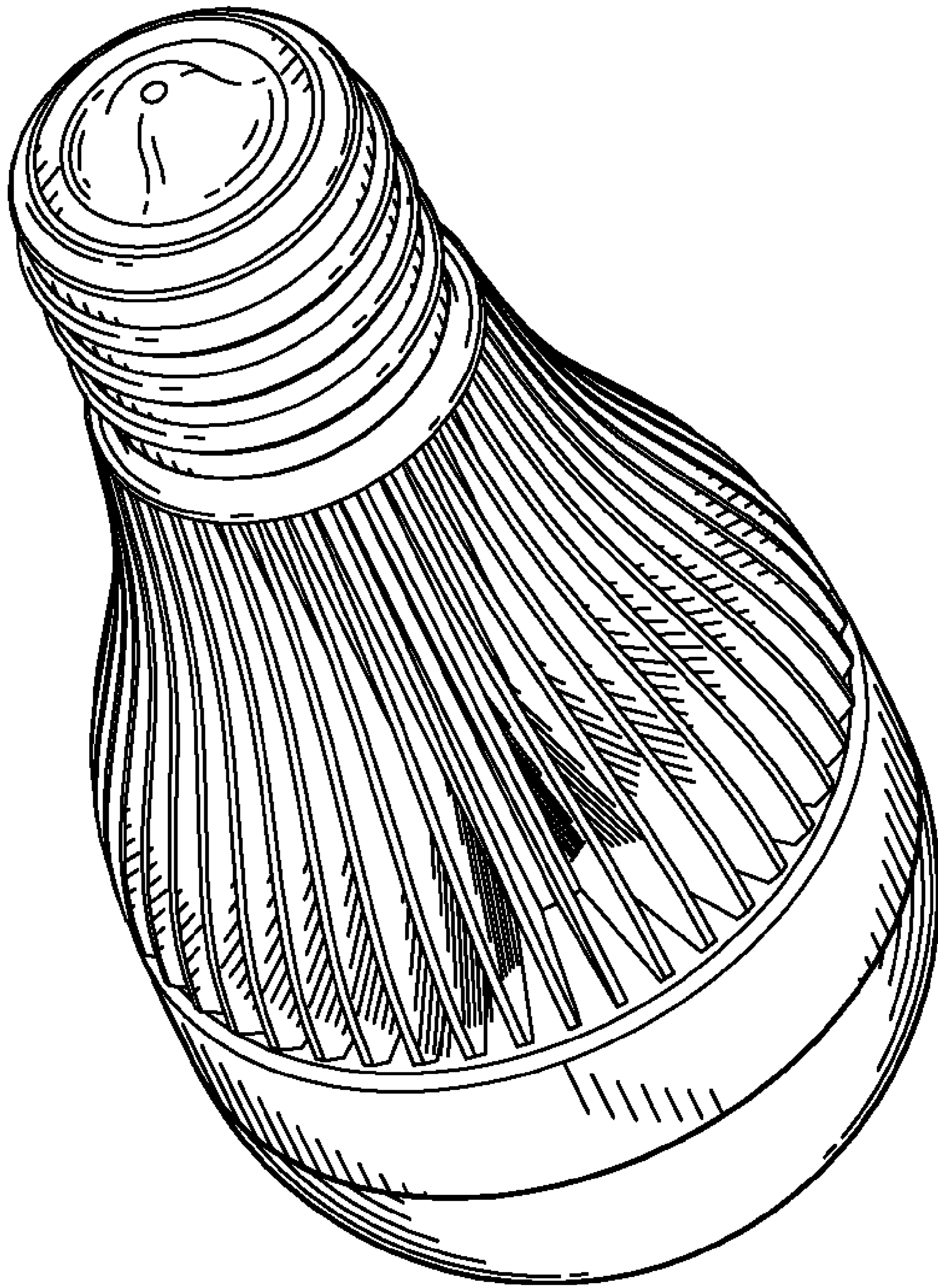


FIG. 1

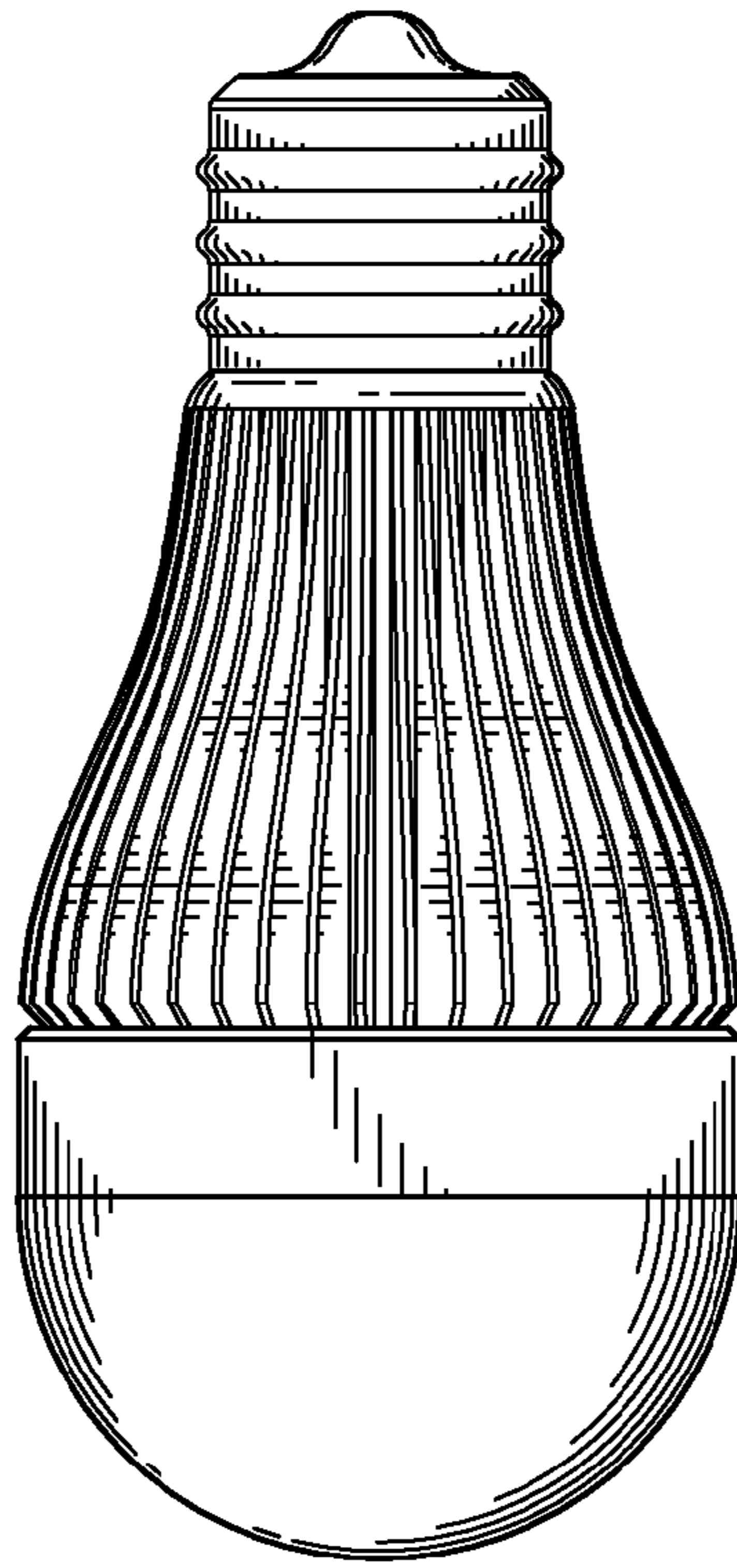


FIG. 2

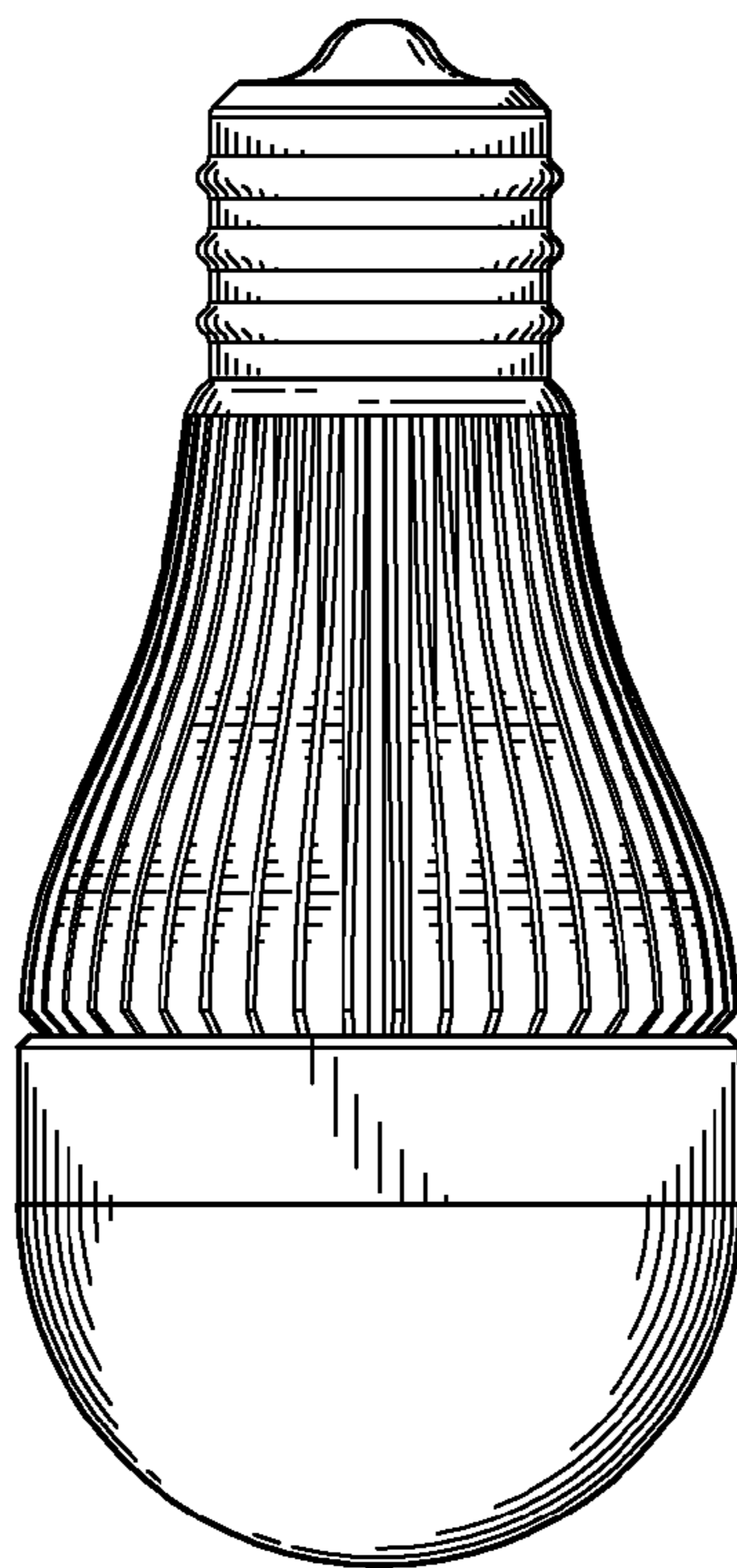


FIG. 3

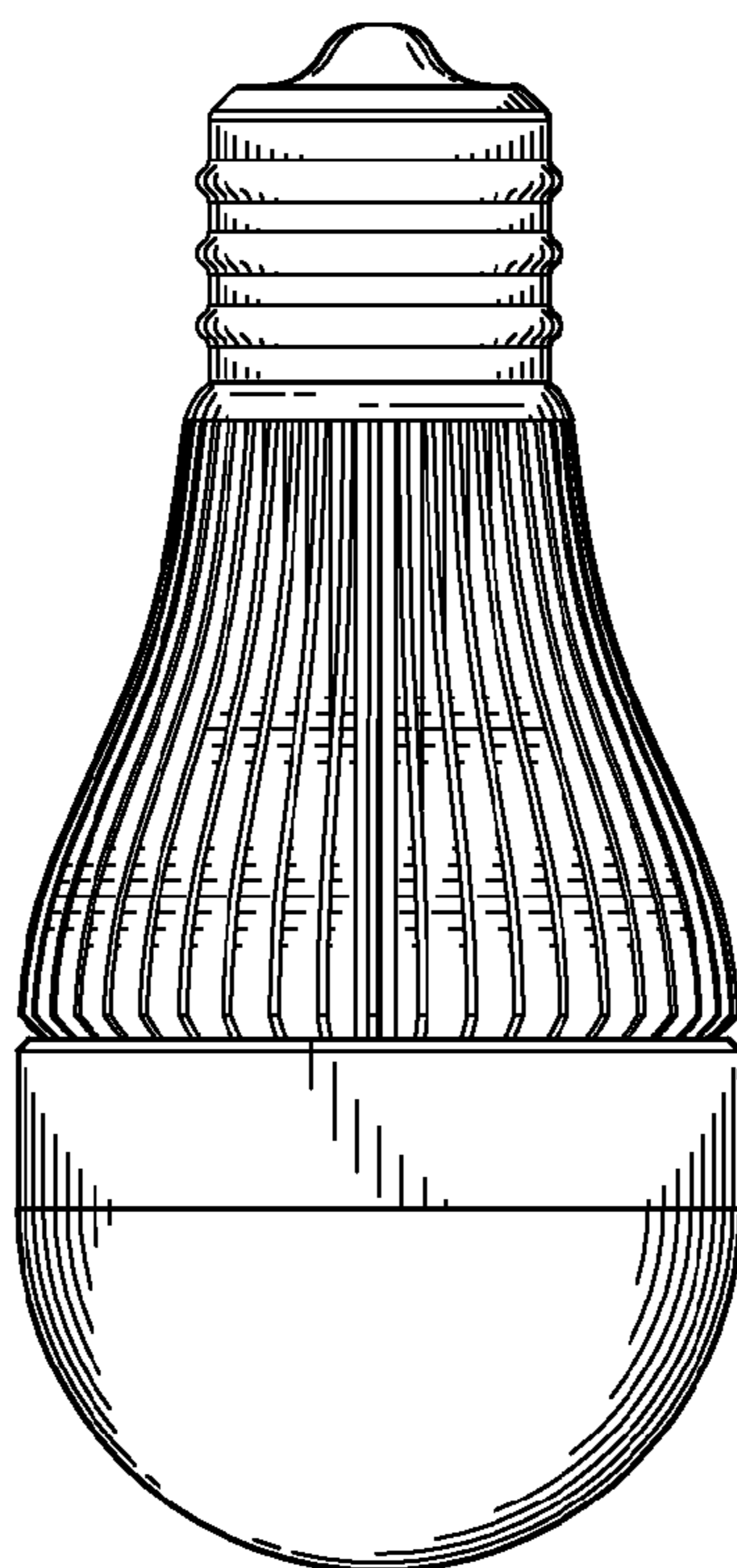


FIG. 4

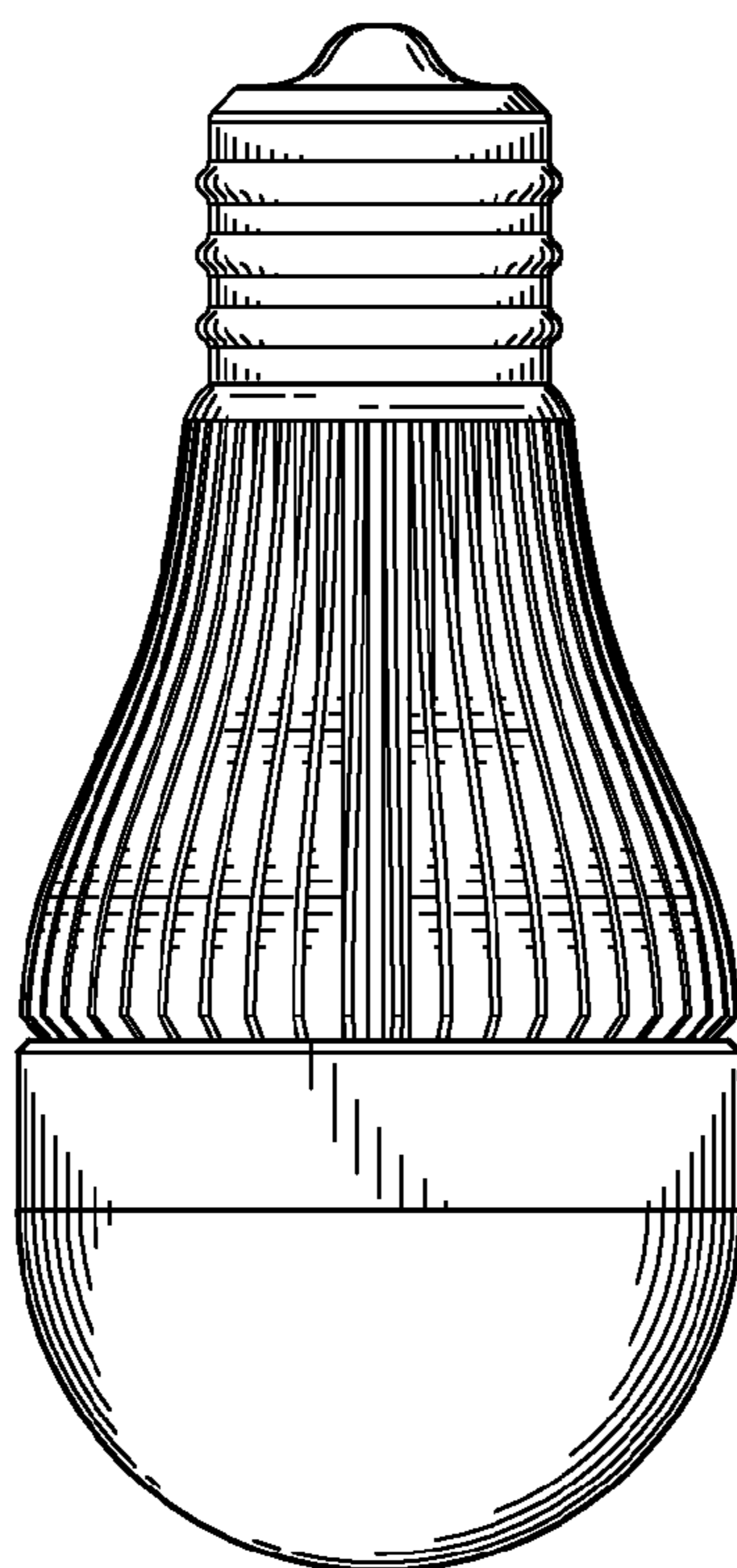


FIG. 5

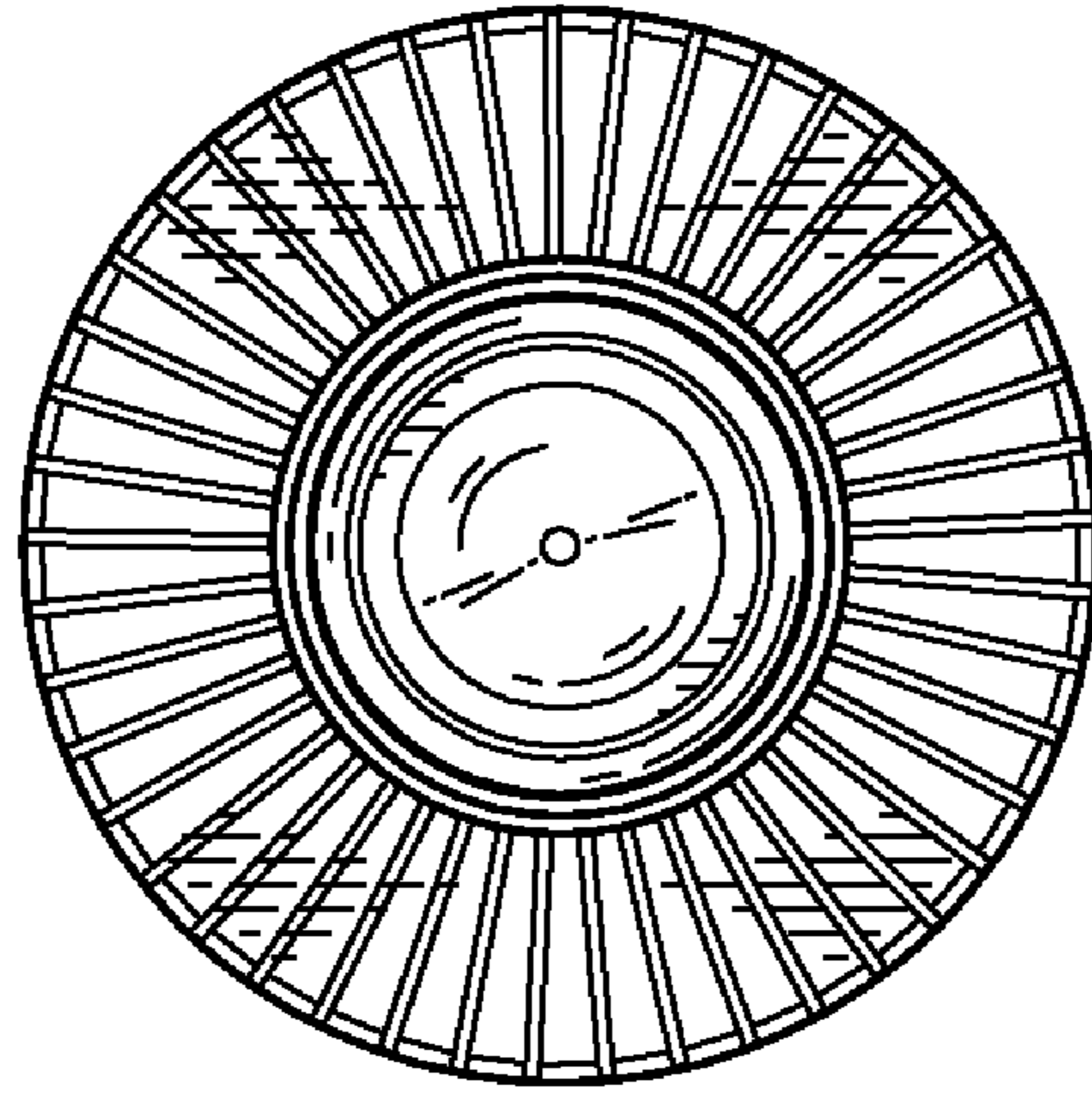


FIG. 6

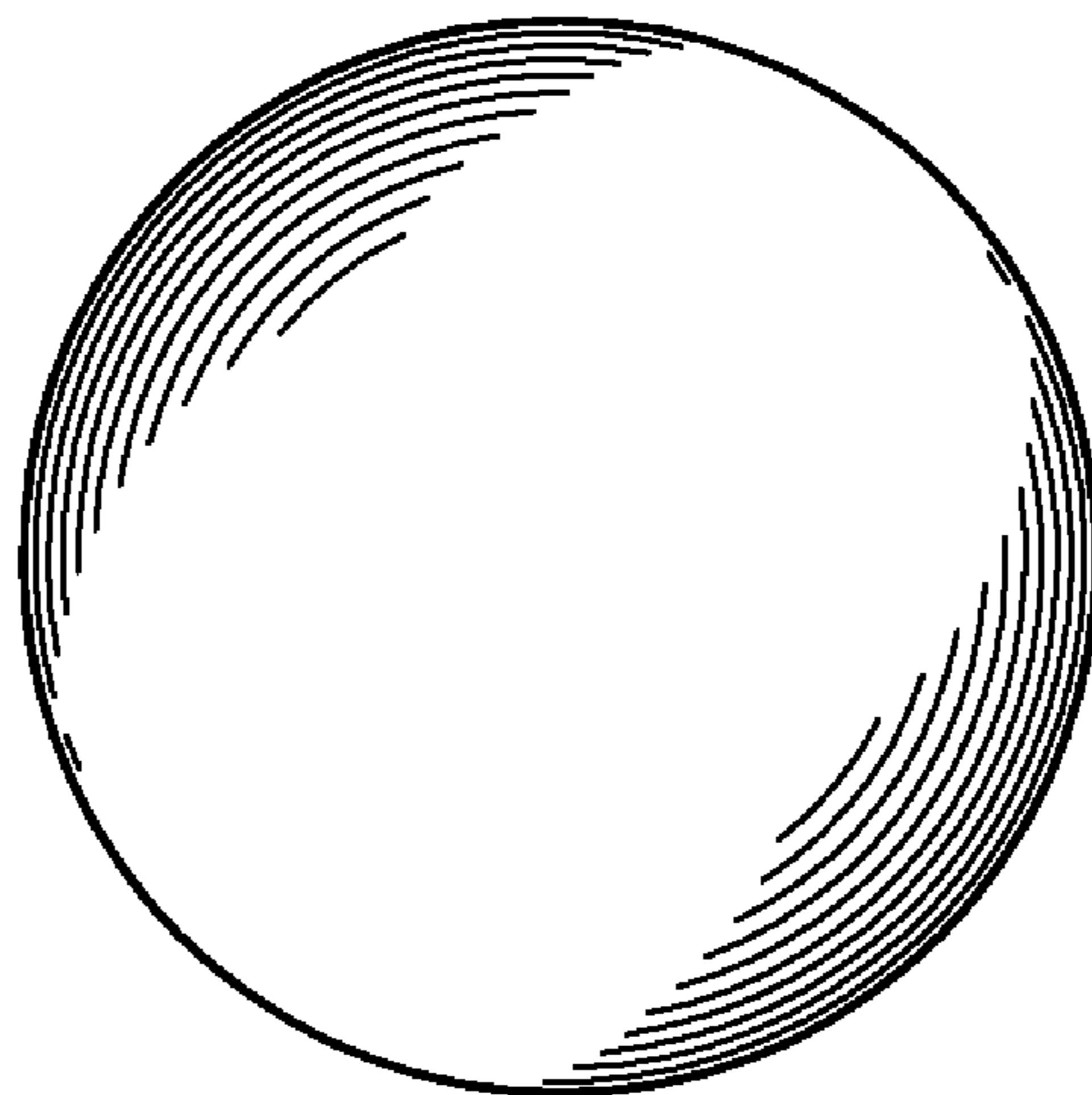


FIG. 7

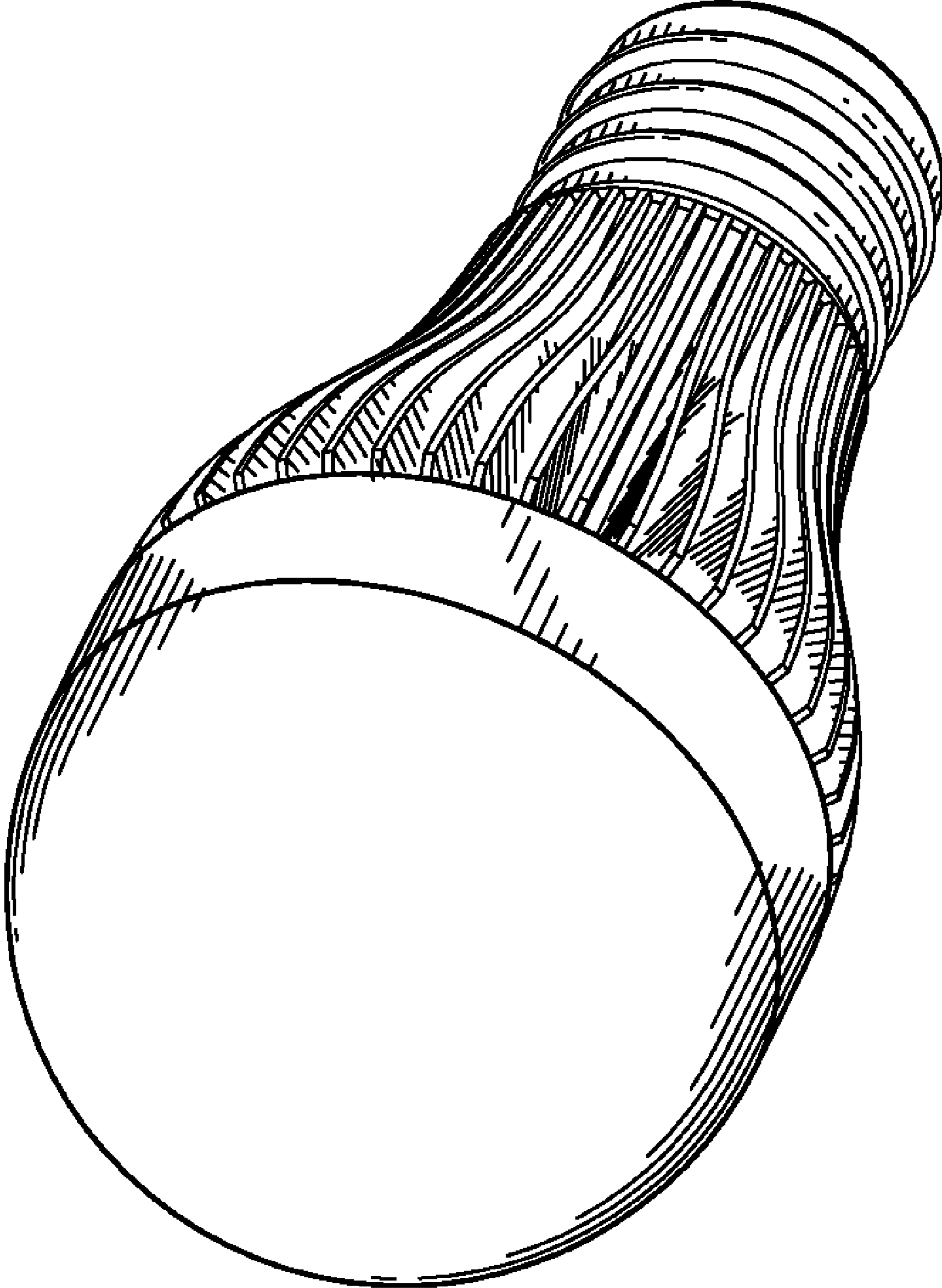


FIG. 8