



US00D616570S

(12) **United States Design Patent**
Krajcir

(10) **Patent No.:** **US D616,570 S**

(45) **Date of Patent:** **** May 25, 2010**

(54) **SCAFFOLD LEDGER**

(76) **Inventor:** **Dezi Krajcir**, 330 Ramsay Drive,
Dunnville, ON (CA) N1A 2X1

(**) **Term:** **14 Years**

(21) **Appl. No.:** **29/338,224**

(22) **Filed:** **Jun. 8, 2009**

(51) **LOC (9) Cl.** **25-01**

(52) **U.S. Cl.** **D25/122**

(58) **Field of Classification Search** D25/68,
D25/122; 182/2.1, 2.2, 107, 2.11, 108, 109,
182/128, 182.1, 182.2, 182.3, 229

See application file for complete search history.

(56) **References Cited**

U.S. PATENT DOCUMENTS

2,321,916	A *	6/1943	Ingerman	248/248
3,213,948	A *	10/1965	Eckels	173/159
3,468,399	A *	9/1969	Lloyd	182/229
3,679,026	A *	7/1972	Hansen et al.	182/132
3,910,379	A *	10/1975	Miller et al.	182/128
4,815,563	A *	3/1989	Puccinelli et al.	182/150
5,113,969	A *	5/1992	Drolet et al.	182/2.11

D374,089	S *	9/1996	Meadows	D25/68
5,878,840	A *	3/1999	Tessum et al.	182/229
D414,880	S *	10/1999	Giese	D25/122
2007/0258755	A1 *	11/2007	Chang et al.	403/256

* cited by examiner

Primary Examiner—Doris Clark

(57) **CLAIM**

The ornamental design for a scaffold ledger, as shown and described.

DESCRIPTION

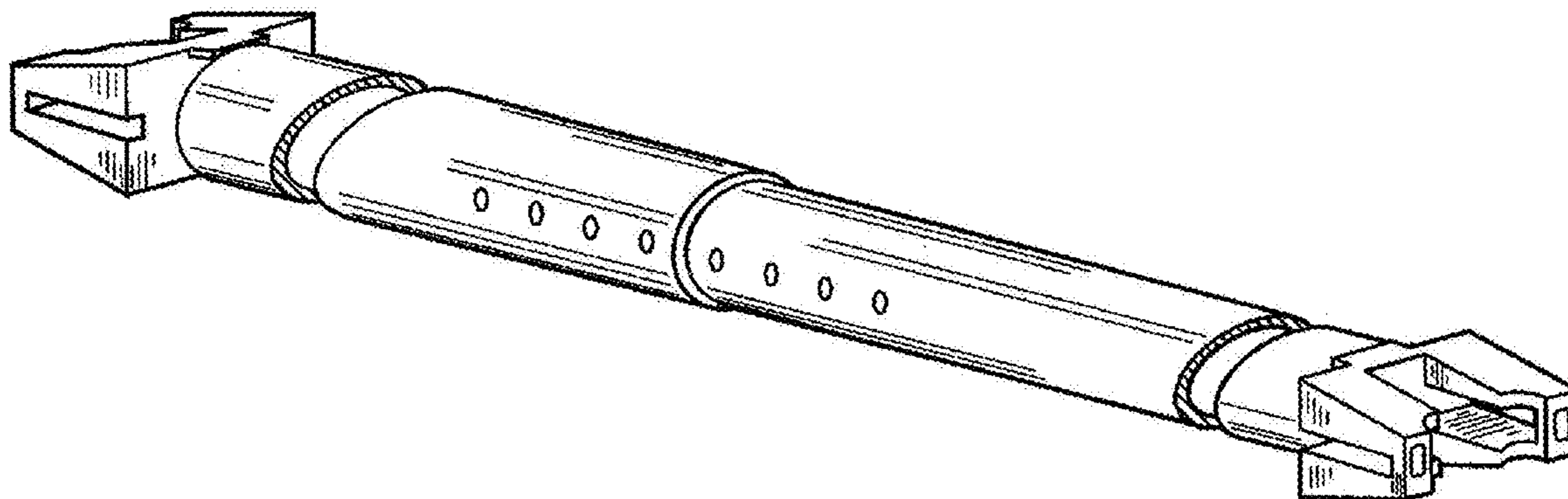
FIG. 1 is a left side elevational view of the scaffold ledger of the present design. The claimed design is broken on the left and right ends to indicate indefinite length in all of the Figures.

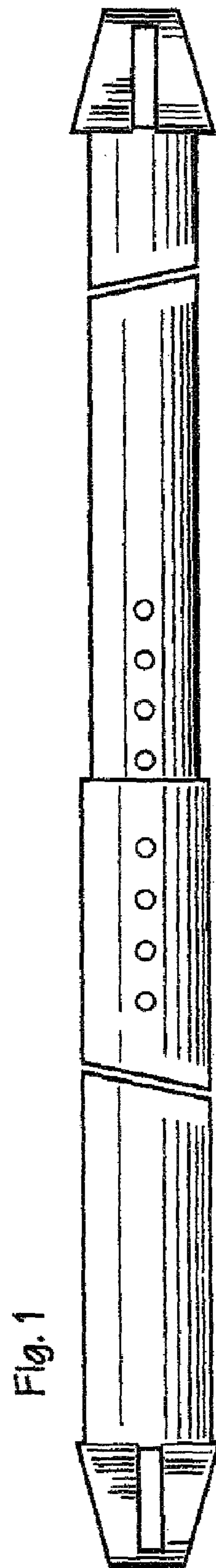
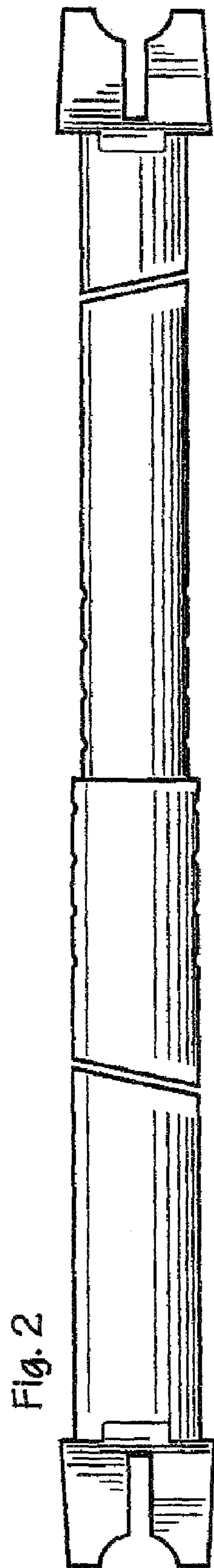
FIG. 2 is a top plan view of the scaffold ledger shown in FIG. 1.

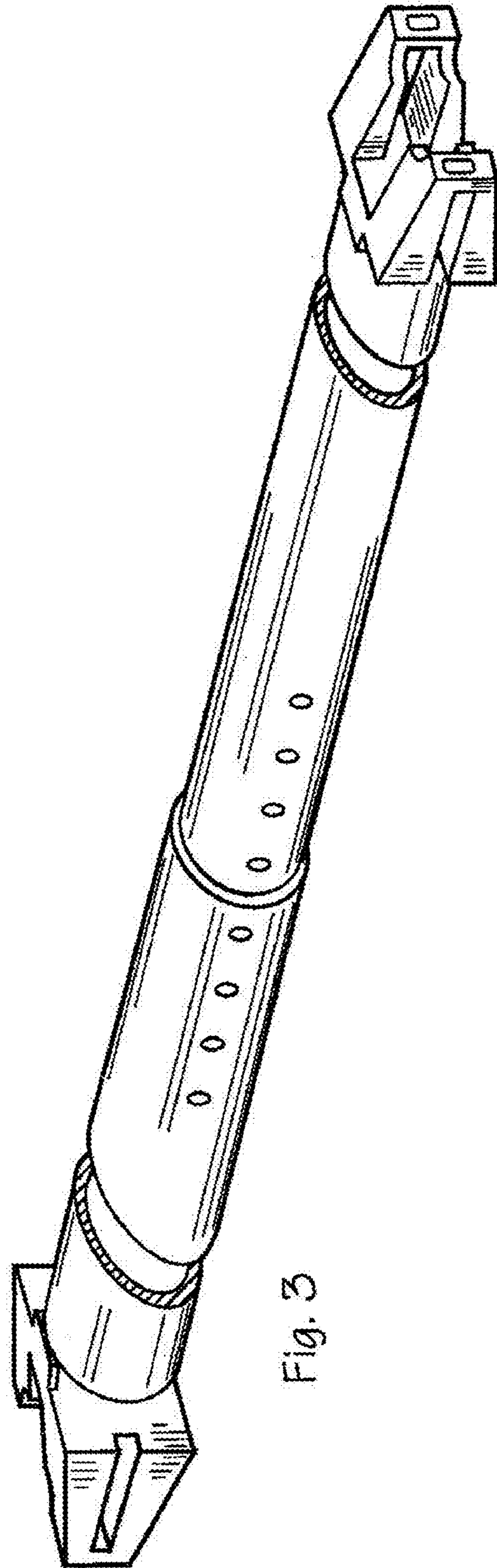
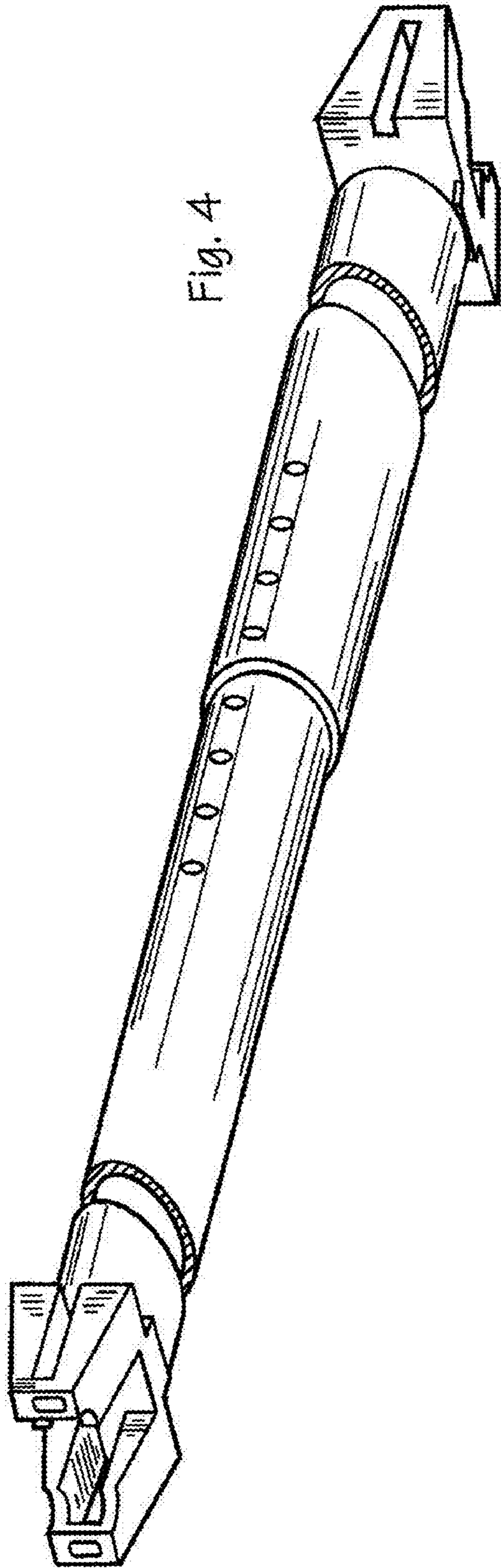
FIG. 3 is a top left side perspective view of the scaffold ledger shown in FIG. 1; and,

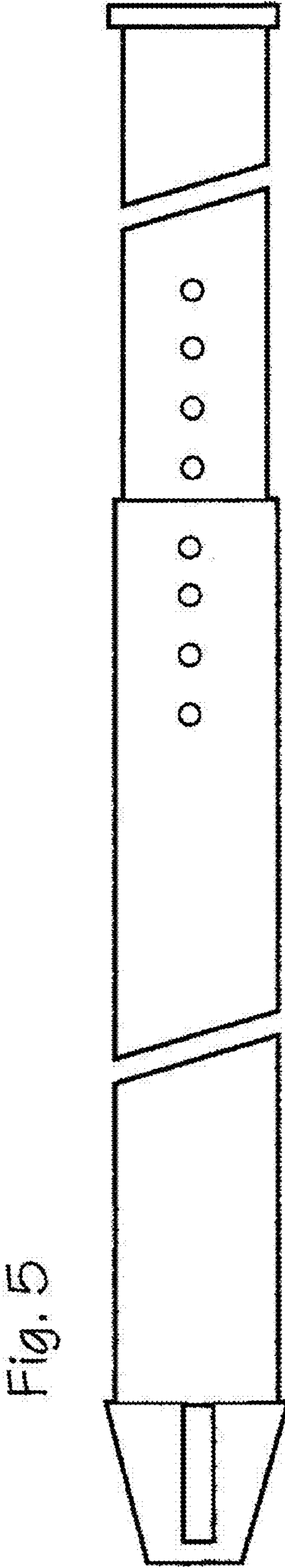
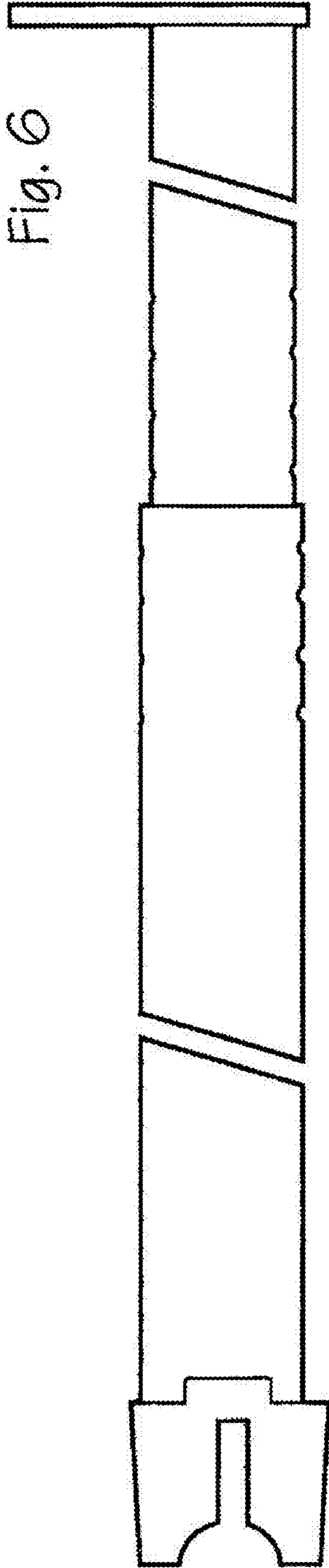
FIG. 4 is a bottom right side perspective view of the scaffold ledger shown in FIG. 1.

1 Claim, 4 Drawing Sheets









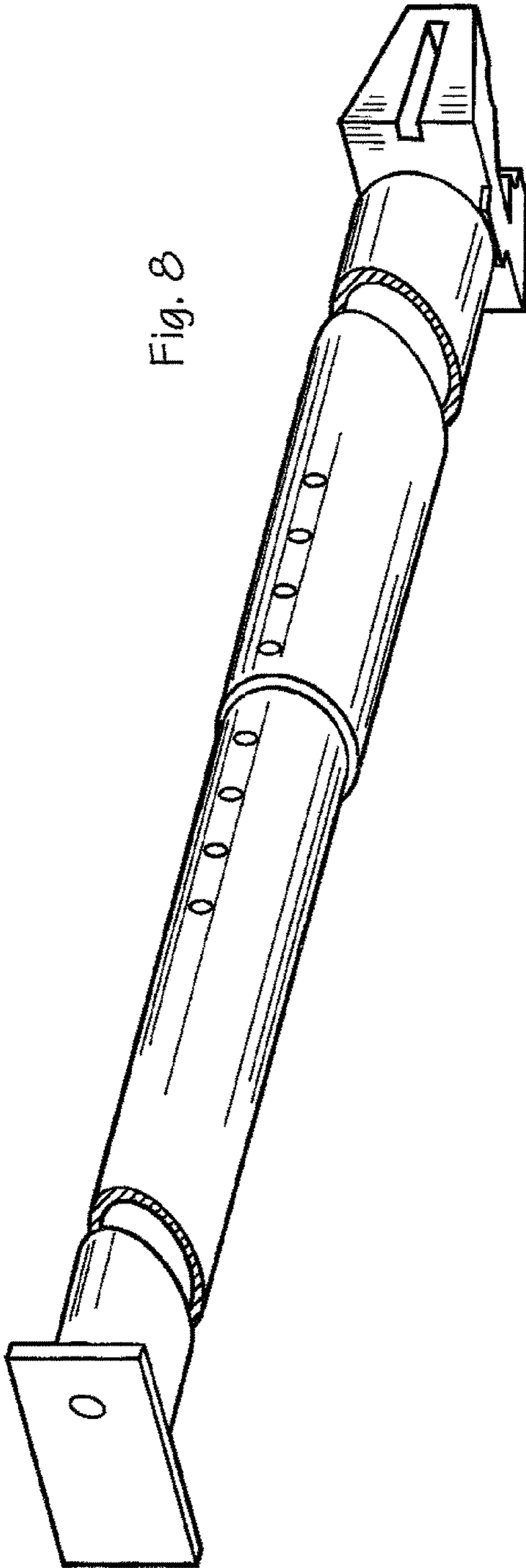


Fig. 8

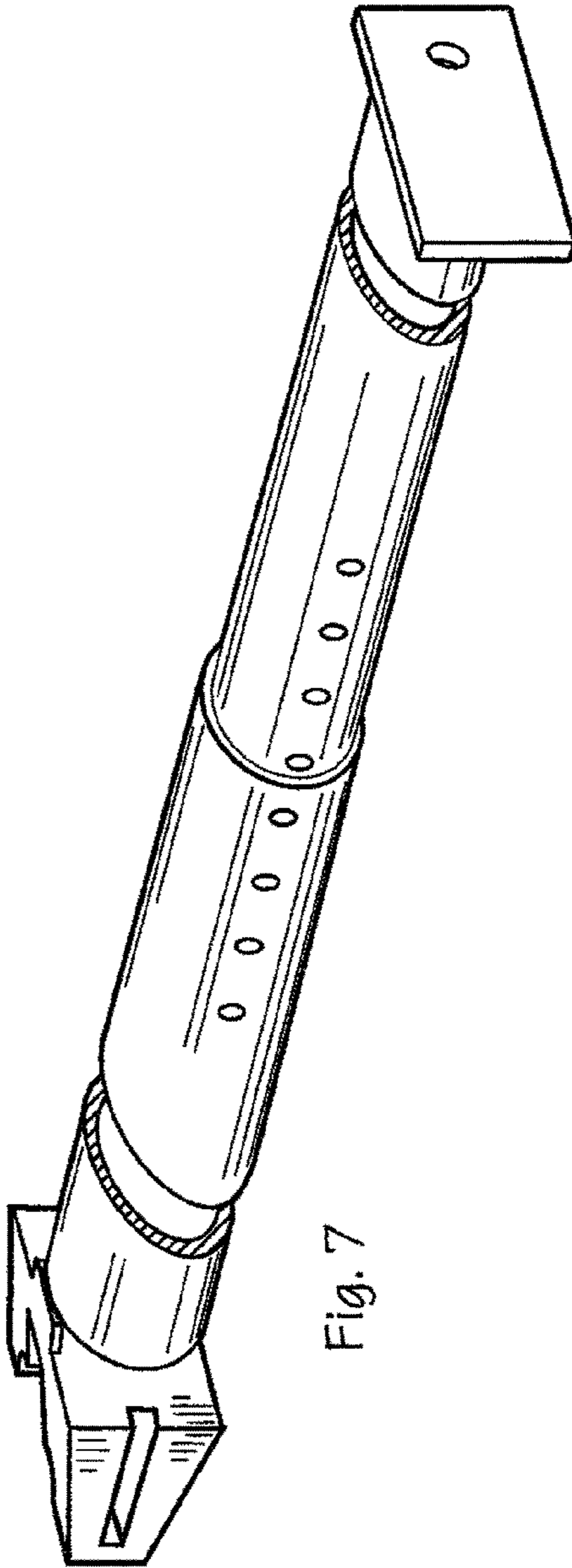


Fig. 7