



US00D616568S

(12) **United States Design Patent**  
**Desrosiers et al.**

(10) **Patent No.:** **US D616,568 S**

(45) **Date of Patent:** **\*\* May 25, 2010**

(54) **HORIZONTAL RAIL FOR PATIO DOOR SASH**

(75) Inventors: **Anne-Marie Desrosiers**, St-Apollinaire (CA); **Régis Cloutier**, Lévis (CA); **Martin Jenkins**, Beaumont (CA)

(73) Assignee: **Dallaire Industries Ltd.**, Levis, Quebec

(\*\*) Term: **14 Years**

(21) Appl. No.: **29/344,345**

(22) Filed: **Sep. 28, 2009**

(51) **LOC (9) Cl.** ..... **25-02**

(52) **U.S. Cl.** ..... **D25/60; D25/122; D25/125**

(58) **Field of Classification Search** ..... D25/124,  
D25/125, 60; 49/429, 434, 458, 449, 155;  
52/207

See application file for complete search history.

(56) **References Cited**

**U.S. PATENT DOCUMENTS**

4,532,743	A *	8/1985	Miller et al.	52/207
4,640,048	A *	2/1987	Winner et al.	49/181
4,937,979	A *	7/1990	Liou	49/449
5,274,955	A *	1/1994	Dallaire et al.	49/406
5,598,665	A *	2/1997	Guddas	49/404

D378,425	S *	3/1997	Leonelli	D25/124
5,657,591	A *	8/1997	Kitada	52/204.71
D429,001	S *	8/2000	Benz et al.	D25/60
D471,286	S *	3/2003	Roberts et al.	D25/60
6,826,867	B1 *	12/2004	McDonald et al.	49/213
2007/0289220	A1 *	12/2007	Vilhauer	49/449

\* cited by examiner

*Primary Examiner*—Doris Clark

(74) *Attorney, Agent, or Firm*—Curtis B. Behmann; Borden Ladner Gervais LLP

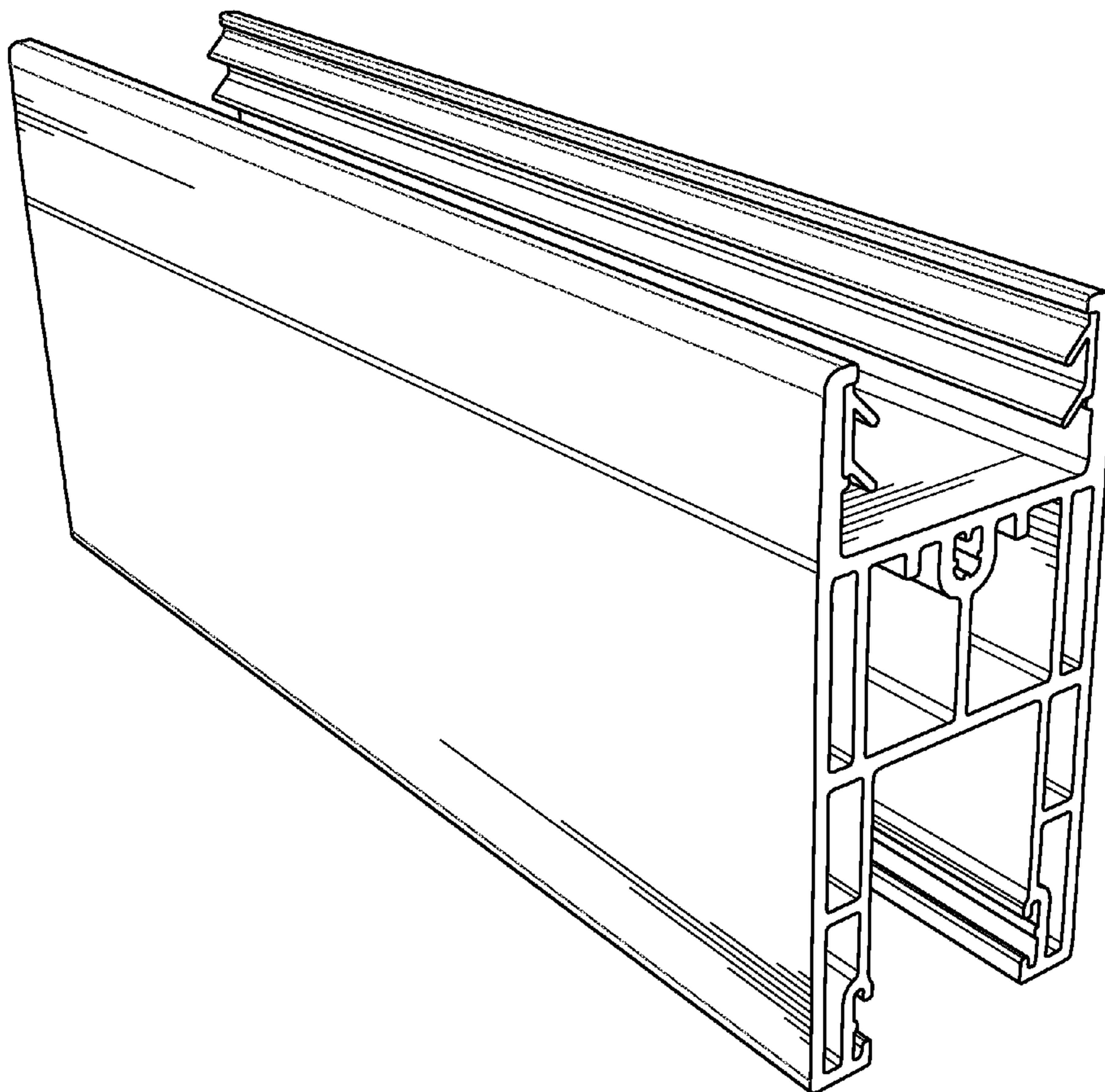
(57) **CLAIM**

The ornamental design for a horizontal rail for patio door sash, as shown and described.

**DESCRIPTION**

FIG. 1 is a top front left perspective view of the design;  
FIG. 2 is a front elevation view thereof;  
FIG. 3 is a back elevation view thereof;  
FIG. 4 is a left side elevation view thereof;  
FIG. 5 is a right side elevation view thereof;  
FIG. 6 is a top plan view thereof; and,  
FIG. 7 is a bottom plan view thereof.

**1 Claim, 7 Drawing Sheets**



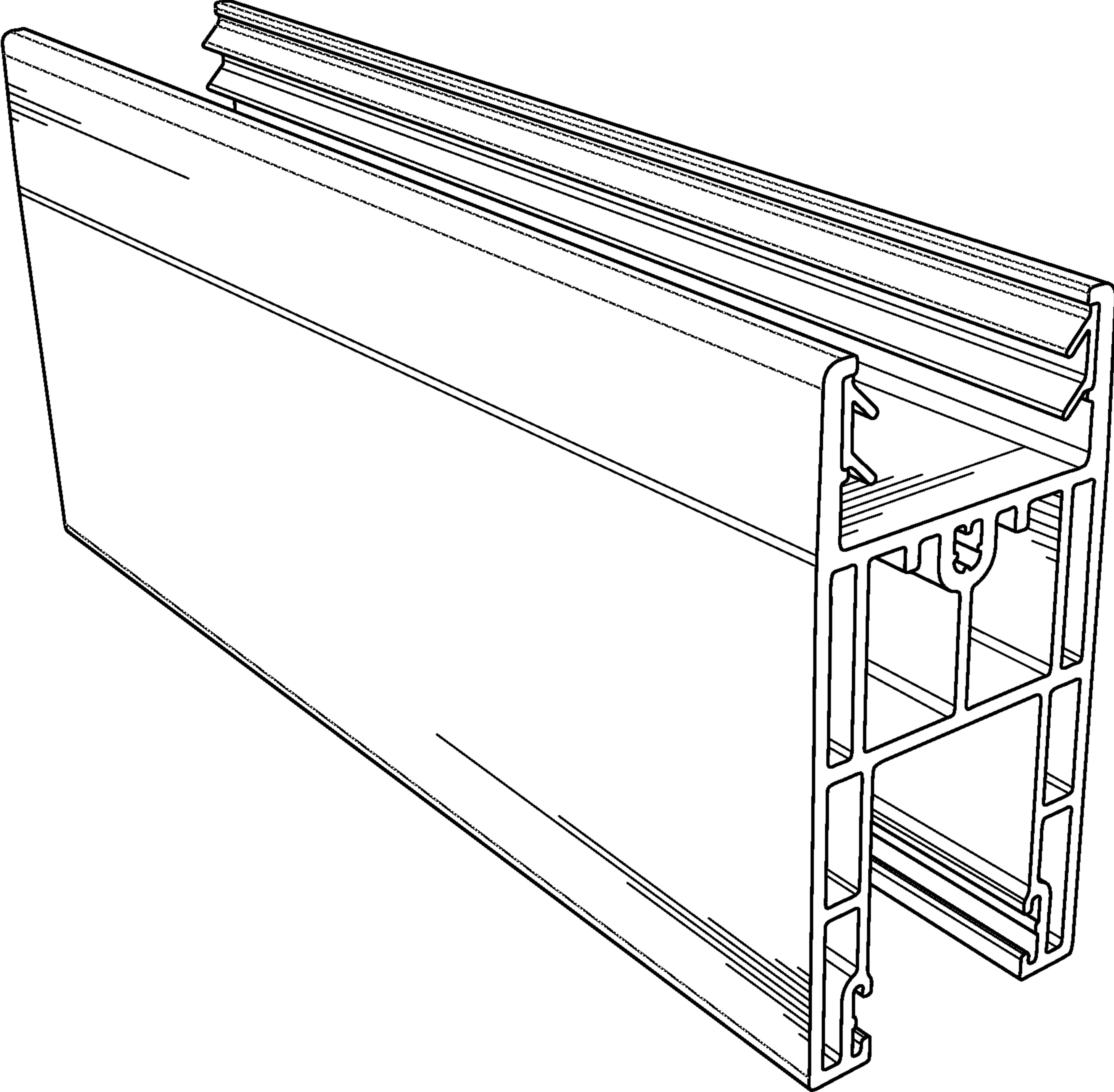


FIG. 1

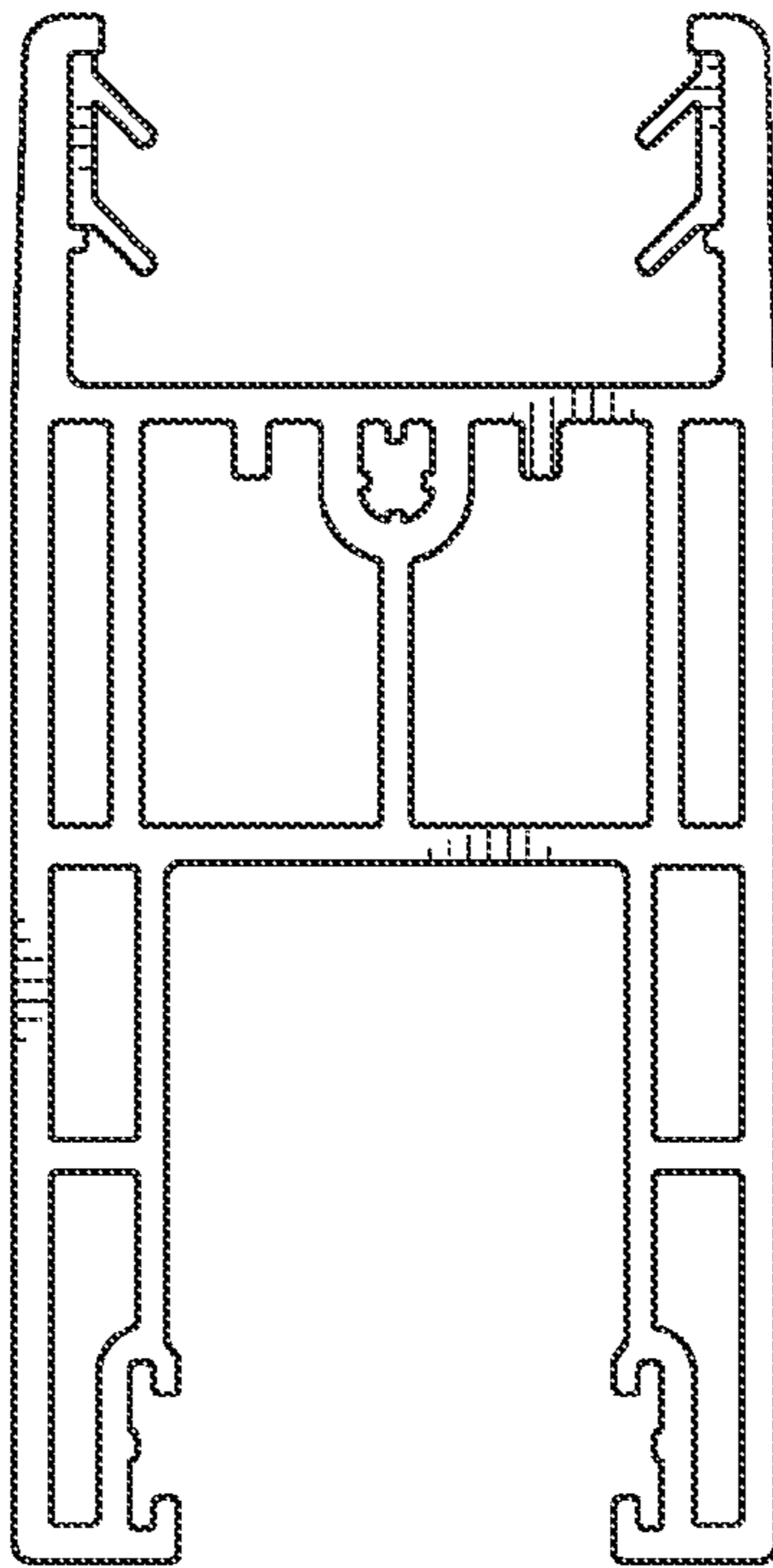


FIG. 2

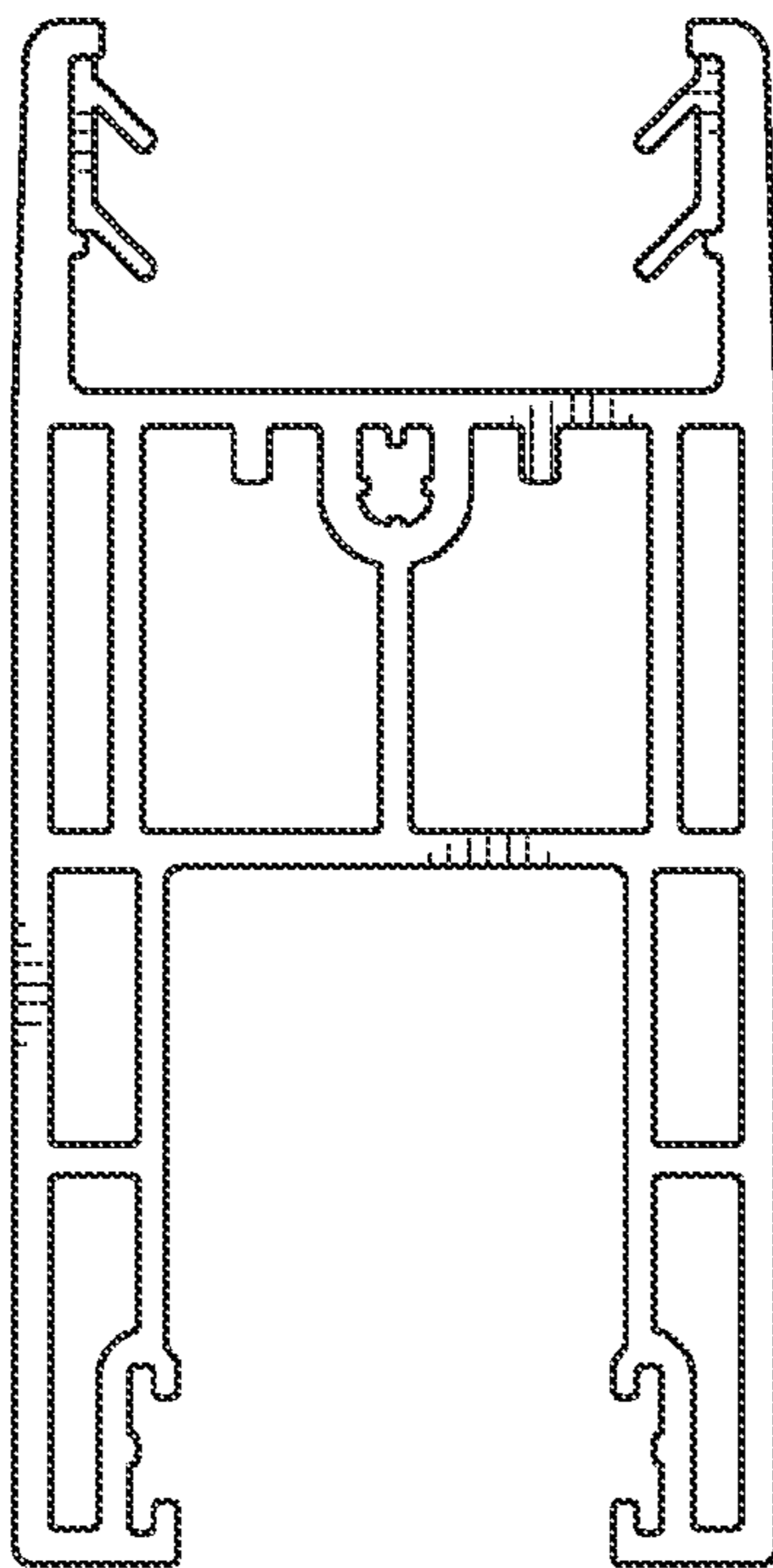


FIG. 3

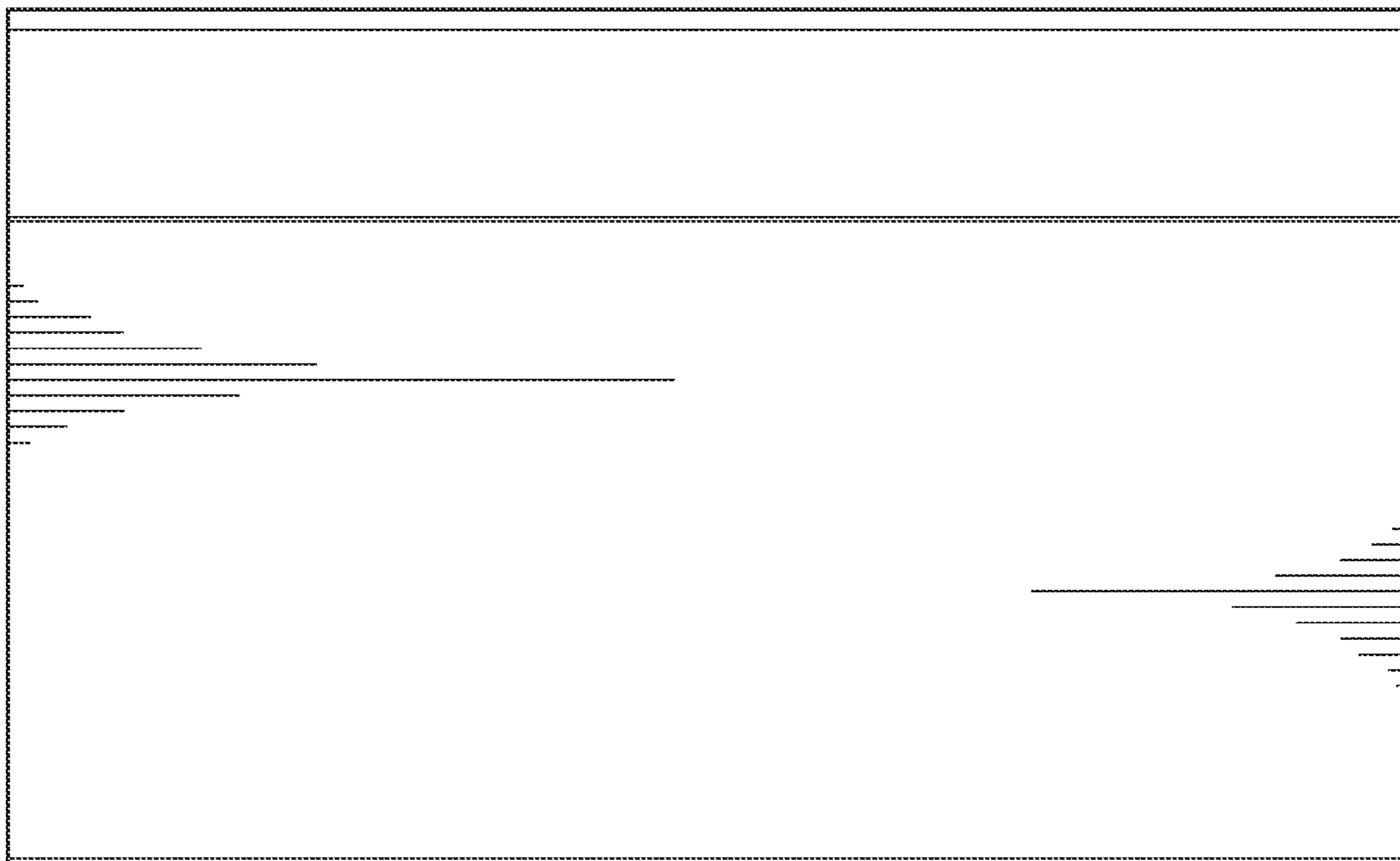


FIG. 4

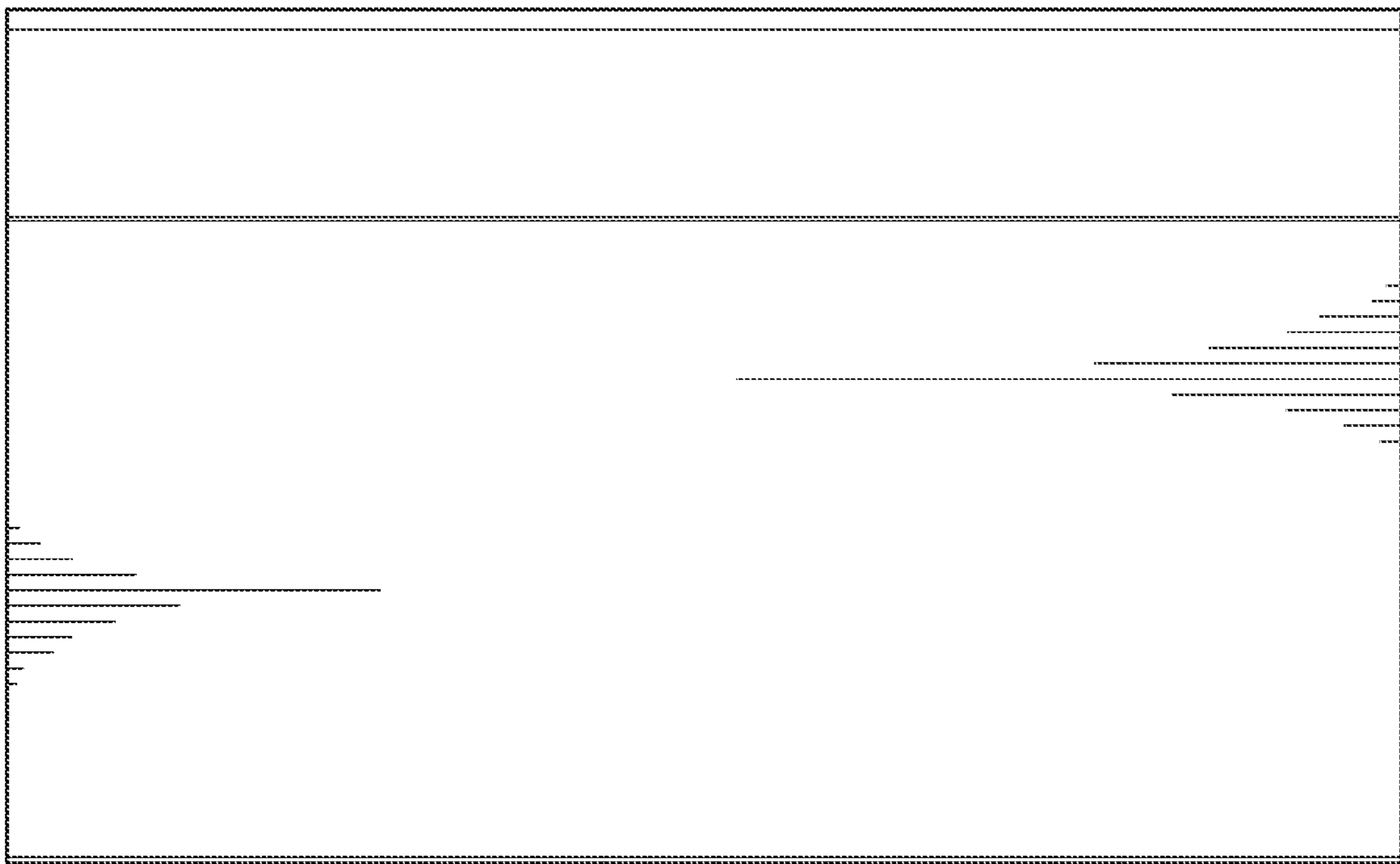


FIG. 5

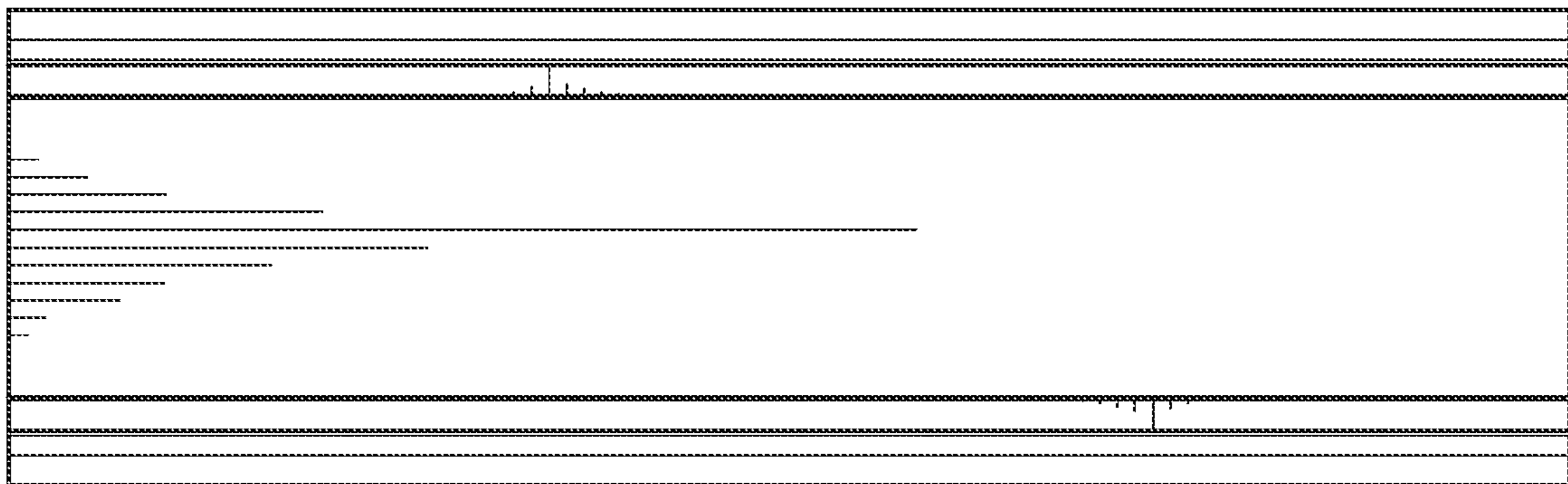


FIG. 6

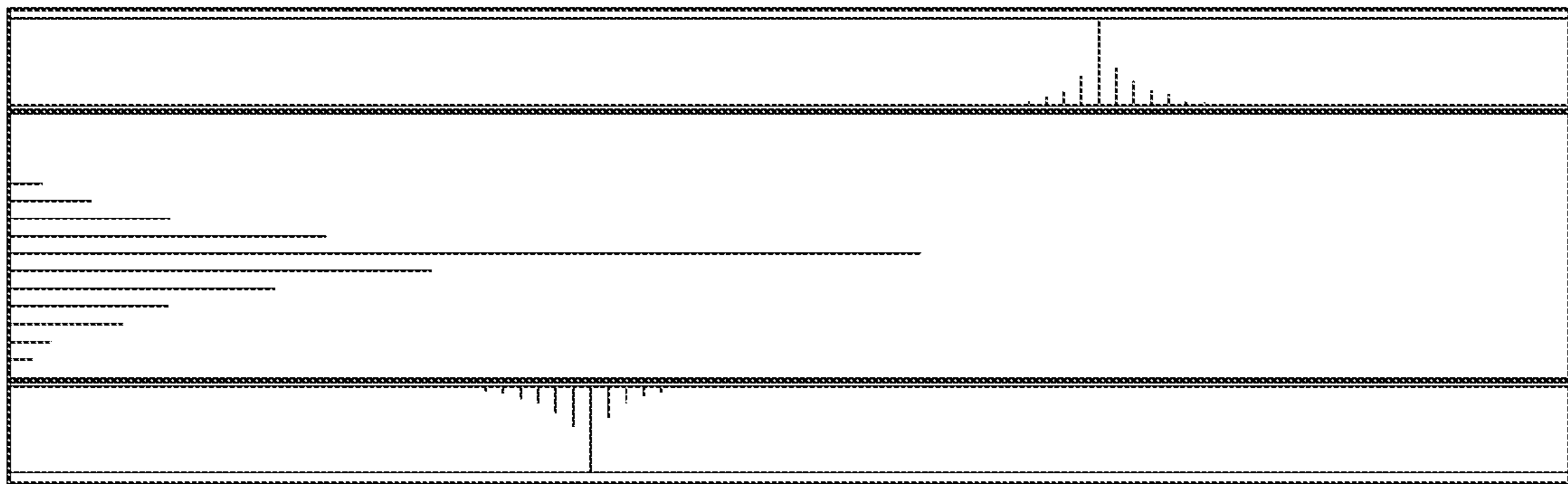


FIG. 7