



US00D616566S

(12) **United States Design Patent**
Desrosiers et al.

(10) **Patent No.:** **US D616,566 S**
(45) **Date of Patent:** **** May 25, 2010**

(54) **MEETING RAIL FOR PATIO DOOR SASH**
(75) Inventors: **Anne-Marie Desrosiers**, St-Apollinaire (CA); **Régis Cloutier**, Lévis (CA); **Martin Jenkins**, Beaumont (CA)

D378,425 S * 3/1997 Leonelli D25/124
5,657,591 A * 8/1997 Kitada 52/204.71
D429,001 S * 8/2000 Benz et al. D25/60
D471,286 S * 3/2003 Roberts et al. D25/60
6,826,867 B1 * 12/2004 McDonald et al. 49/213
2007/0289220 A1 * 12/2007 Vilhauer 49/449

(73) Assignee: **Dallaire Industries Ltd.**, Levis, Quebec

* cited by examiner

(**) Term: **14 Years**

Primary Examiner—Doris Clark

(21) Appl. No.: **29/344,343**

(74) *Attorney, Agent, or Firm*—Curtis B. Behmann; Borden Ladner Gervais LLP

(22) Filed: **Sep. 28, 2009**

(57) **CLAIM**

(51) **LOC (9) Cl.** **25-02**

The ornamental design for a meeting rail for patio door sash, as shown and described.

(52) **U.S. Cl.** **D25/60; D25/122; D25/125**

(58) **Field of Classification Search** D25/124, D25/125, 60, 122; 49/429, 434, 458, 449, 49/155; 52/207

DESCRIPTION

See application file for complete search history.

FIG. 1 is a top front right perspective view of the design;

FIG. 2 is a front elevation view thereof;

FIG. 3 is a back elevation view thereof;

FIG. 4 is a left side elevation view thereof;

FIG. 5 is a right side elevation view thereof;

FIG. 6 is a top plan view thereof; and,

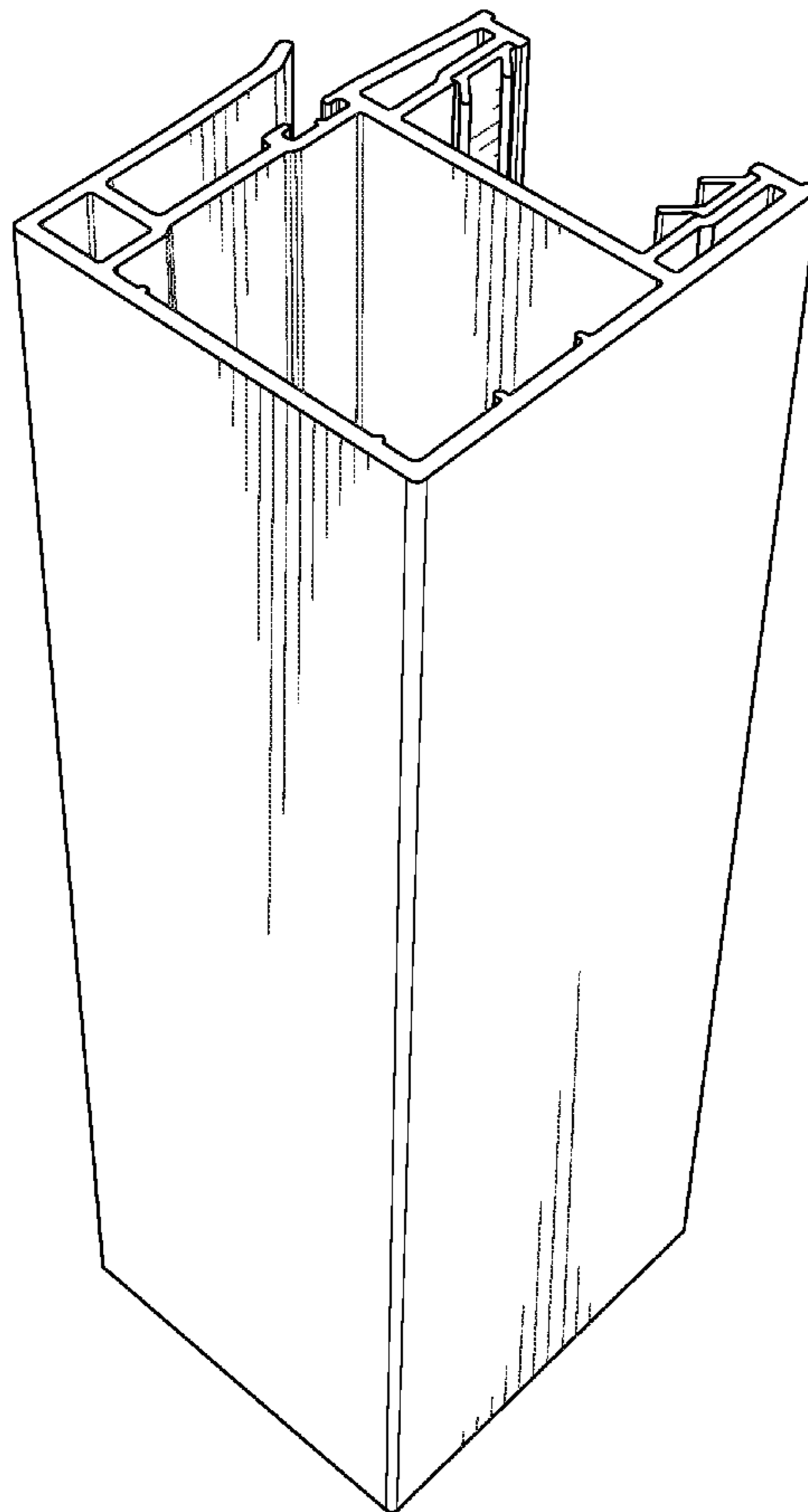
FIG. 7 is a bottom plan view thereof.

(56) **References Cited**

U.S. PATENT DOCUMENTS

4,532,743 A * 8/1985 Miller et al. 52/207
4,640,048 A * 2/1987 Winner et al. 49/181
4,937,979 A * 7/1990 Liou 49/449
5,274,955 A * 1/1994 Dallaire et al. 49/406
5,598,665 A * 2/1997 Guddas 49/404

1 Claim, 7 Drawing Sheets



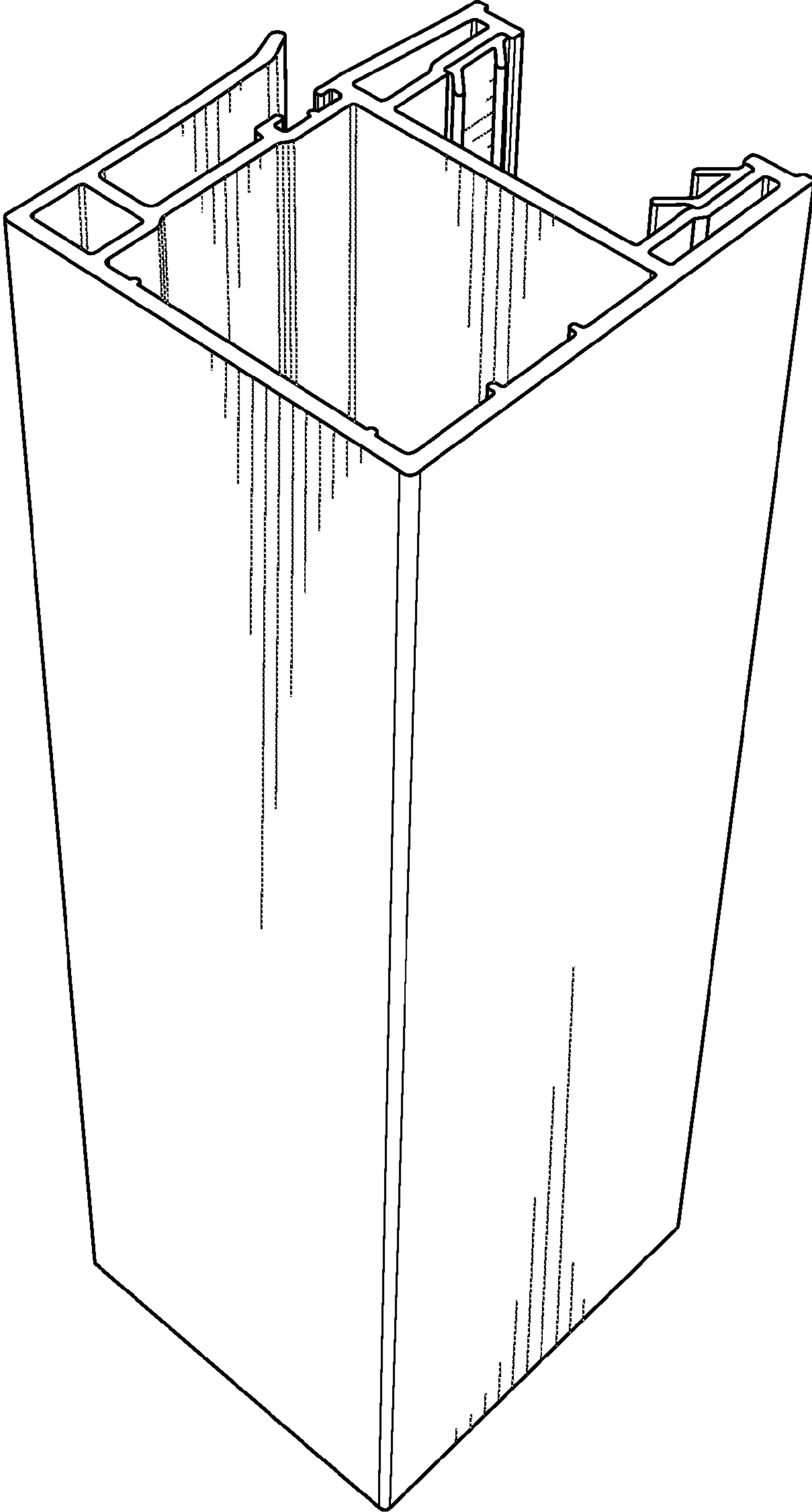


FIG. 1

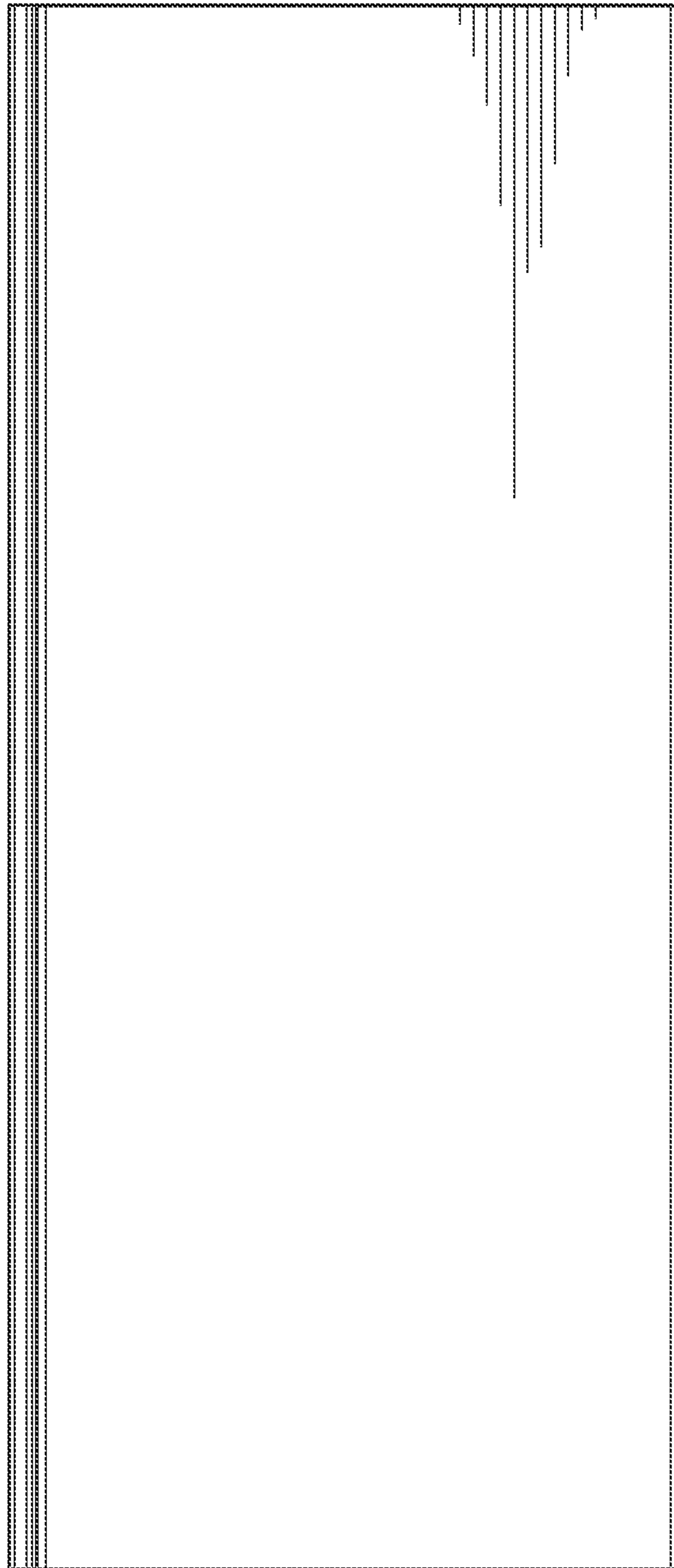


FIG. 2

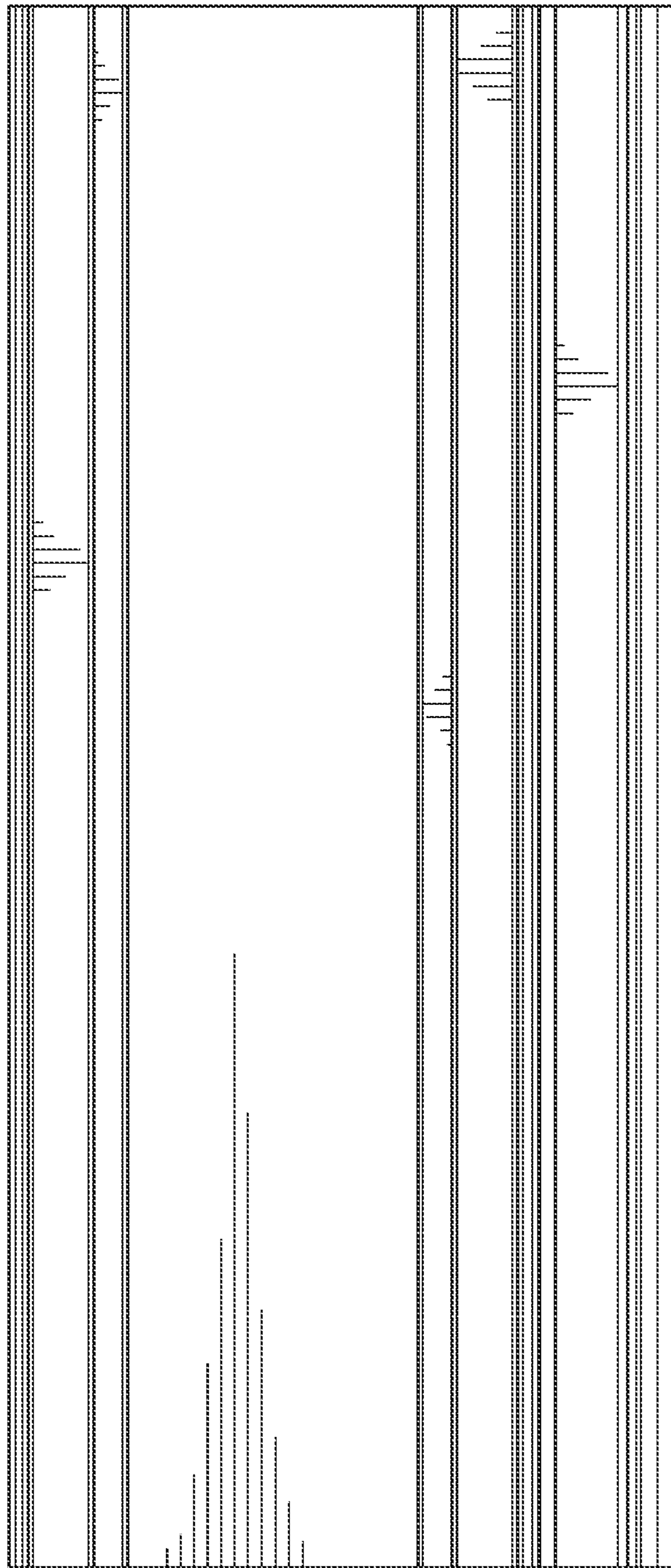


FIG. 3

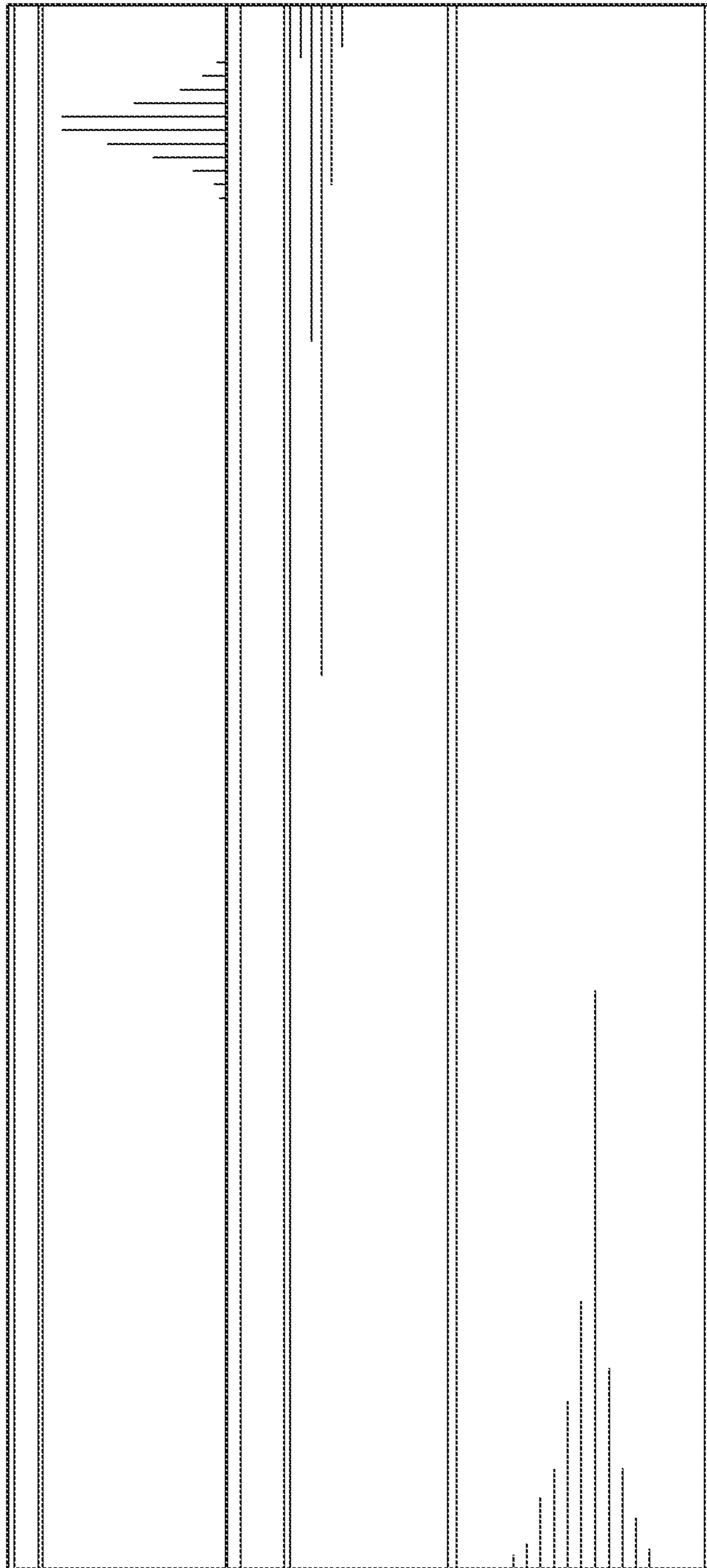


FIG. 4

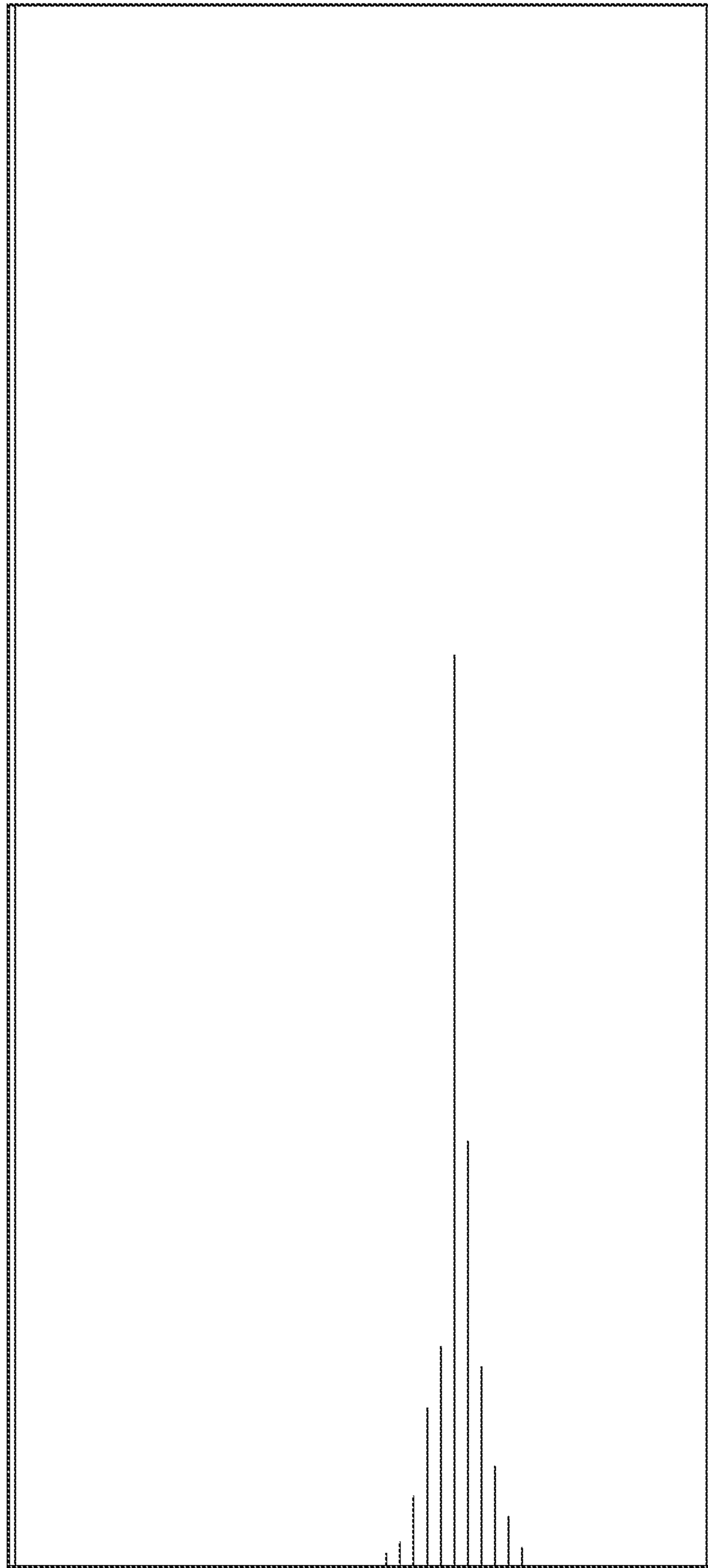


FIG. 5

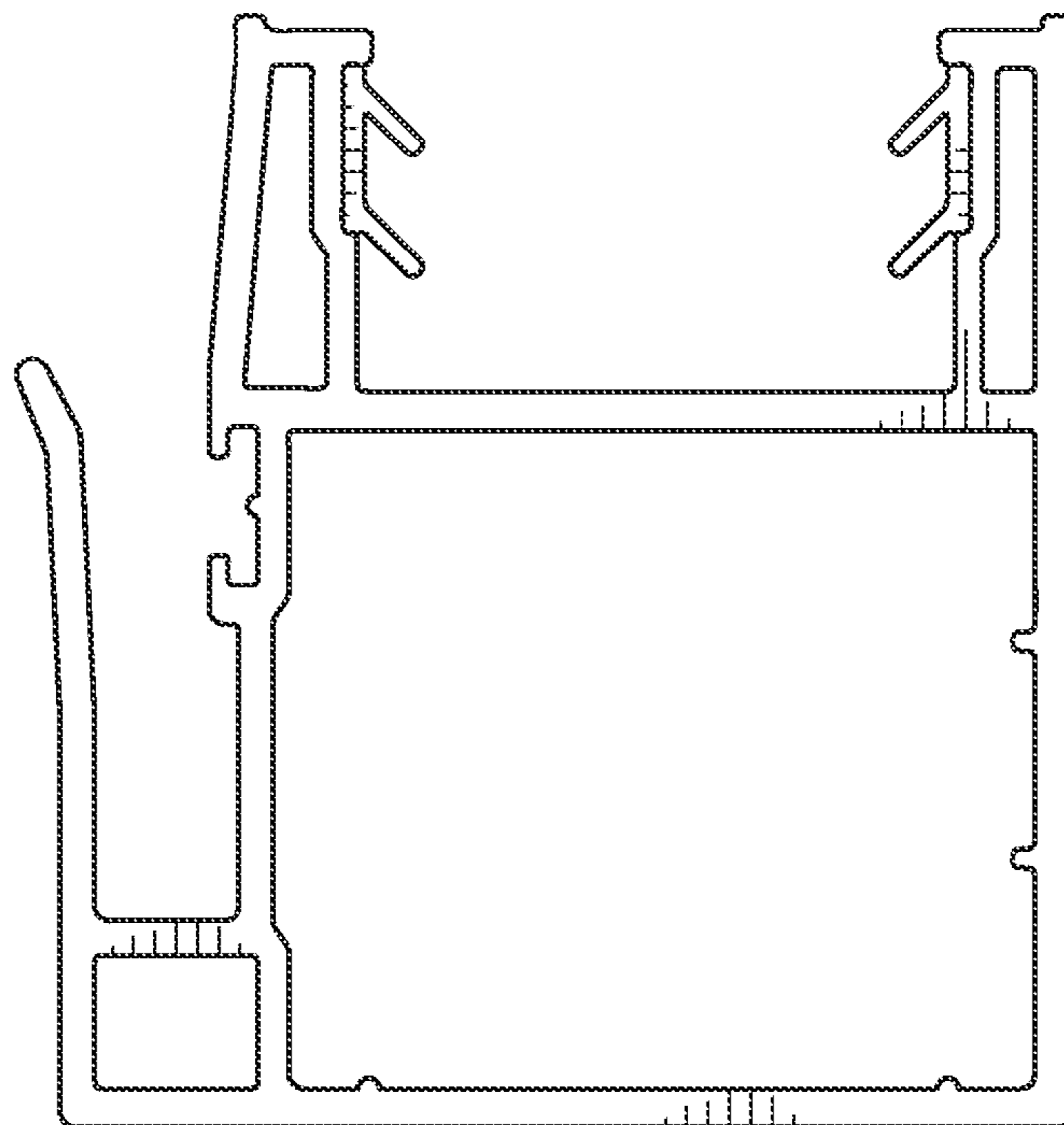


FIG. 6

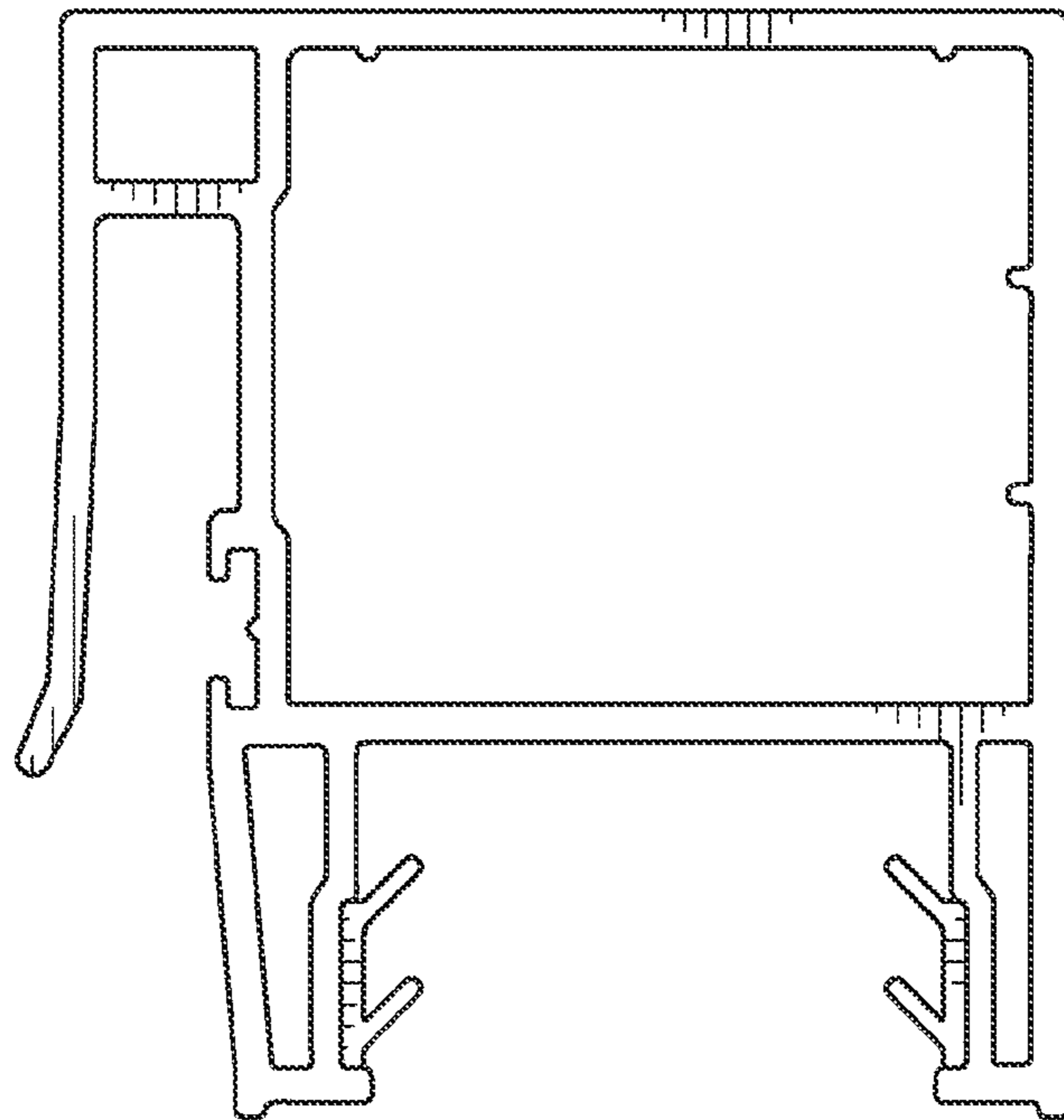


FIG. 7