



US00D616565S

(12) **United States Design Patent**
Essenburg et al.

(10) **Patent No.:** **US D616,565 S**
(45) **Date of Patent:** **** May 25, 2010**

(54) **BUILDING EXTERIOR**

(75) Inventors: **Ryan J. Essenburg**, Holland, MI (US);
Edwin Penna, IV, West Chester, OH
(US); **Thomas J. Essenburg**, Holland,
MI (US)

(73) Assignee: **VQ, Inc.**, Holland, MI (US)

(**) Term: **14 Years**

(21) Appl. No.: **29/295,031**

(22) Filed: **Sep. 20, 2007**

(51) **LOC (9) Cl.** **25-03**

(52) **U.S. Cl.** **D25/17**

(58) **Field of Classification Search** D25/3,
D25/6, 17, 18, 19; 52/79.2, 79.4, 79.6
See application file for complete search history.

(56) **References Cited**

U.S. PATENT DOCUMENTS

D87,901	S	*	10/1932	Bemis	D25/17
2,323,106	A	*	6/1943	Whiteman	52/66
D204,873	S	*	5/1966	Pendleton	D25/17
D265,928	S	*	8/1982	Feuchs	D25/18
D268,872	S	*	5/1983	Sundstrom et al.	D25/17
D272,192	S	*	1/1984	Arenas	D25/17
5,937,588	A	*	8/1999	Gard	52/79.1

OTHER PUBLICATIONS

Tommy Car Wash Design A (Apr. 2007).
Tommy Car Wash Design B (Apr. 2007).
Tommy Car Wash Design C (Apr. 2007).
Car Wash Design (Date Unknown).

* cited by examiner

Primary Examiner—Doris Clark

(74) *Attorney, Agent, or Firm*—Warner Norcross & Judd LLP

(57) **CLAIM**

The ornamental design for building exterior, as shown and described.

DESCRIPTION

FIG. 1 is a first perspective view of a building exterior embodying a first embodiment of the design;

FIG. 2 is a second perspective view thereof;

FIG. 3 is a front view thereof;

FIG. 4 is a rear view thereof;

FIG. 5 is a right side view thereof;

FIG. 6 is a left side view thereof;

FIG. 7 is a top view thereof;

FIG. 8 is a first perspective view of a building exterior of a second embodiment of the design;

FIG. 9 is a second perspective view thereof;

FIG. 10 is a front view thereof;

FIG. 11 is a rear view thereof;

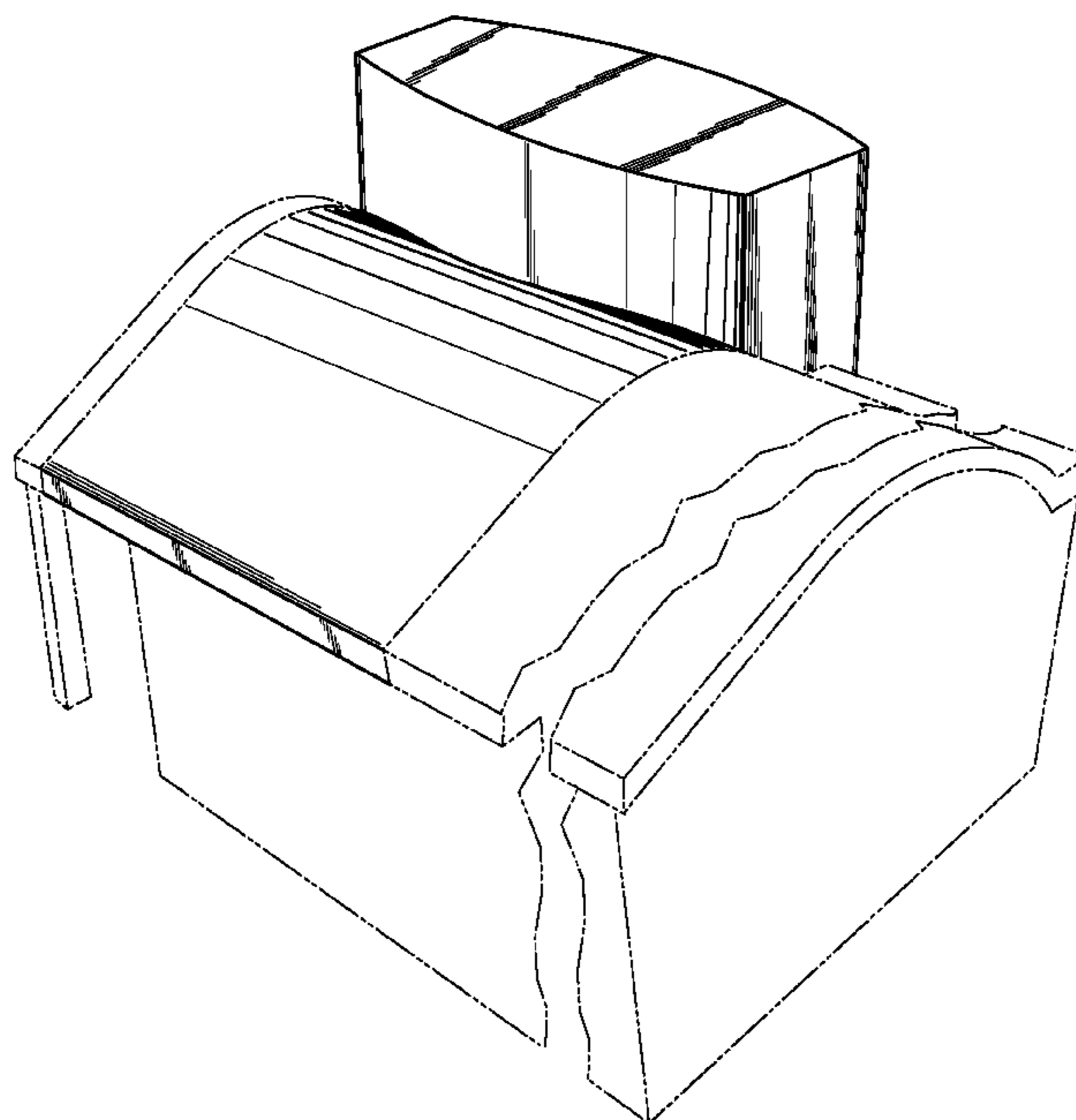
FIG. 12 is a right side view thereof;

FIG. 13 is a left side view thereof; and,

FIG. 14 is a top view thereof.

FIGS. 1–14 show features of a building exterior in phantom lines. These features are shown for environmental purposes, and do not form any part of the claimed design. Further, the phantom lines immediately adjacent the solid-line portions of the design form the boundary of the design, with the phantom lines forming no part of the claimed design.

1 Claim, 10 Drawing Sheets



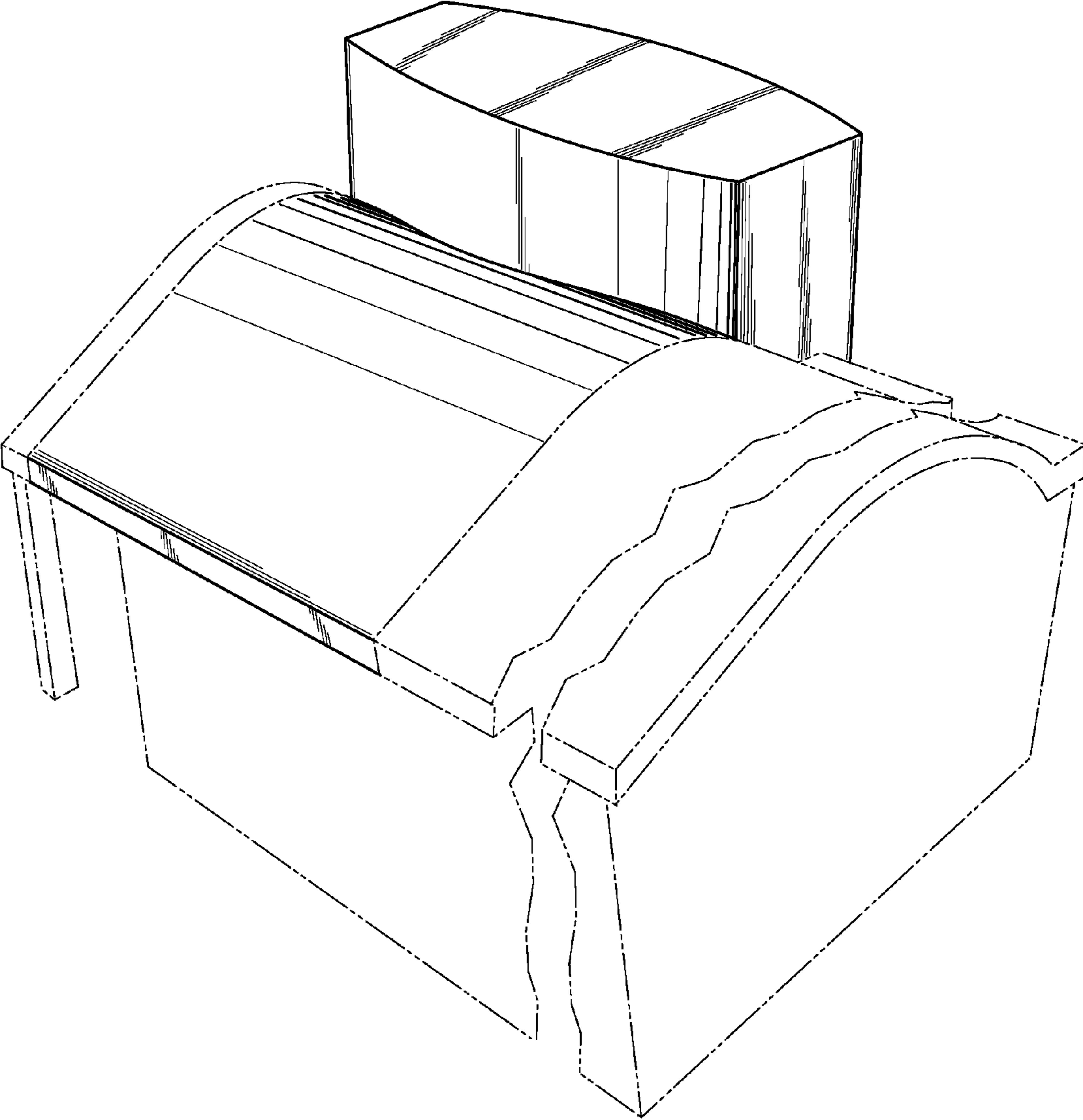


Fig. 1

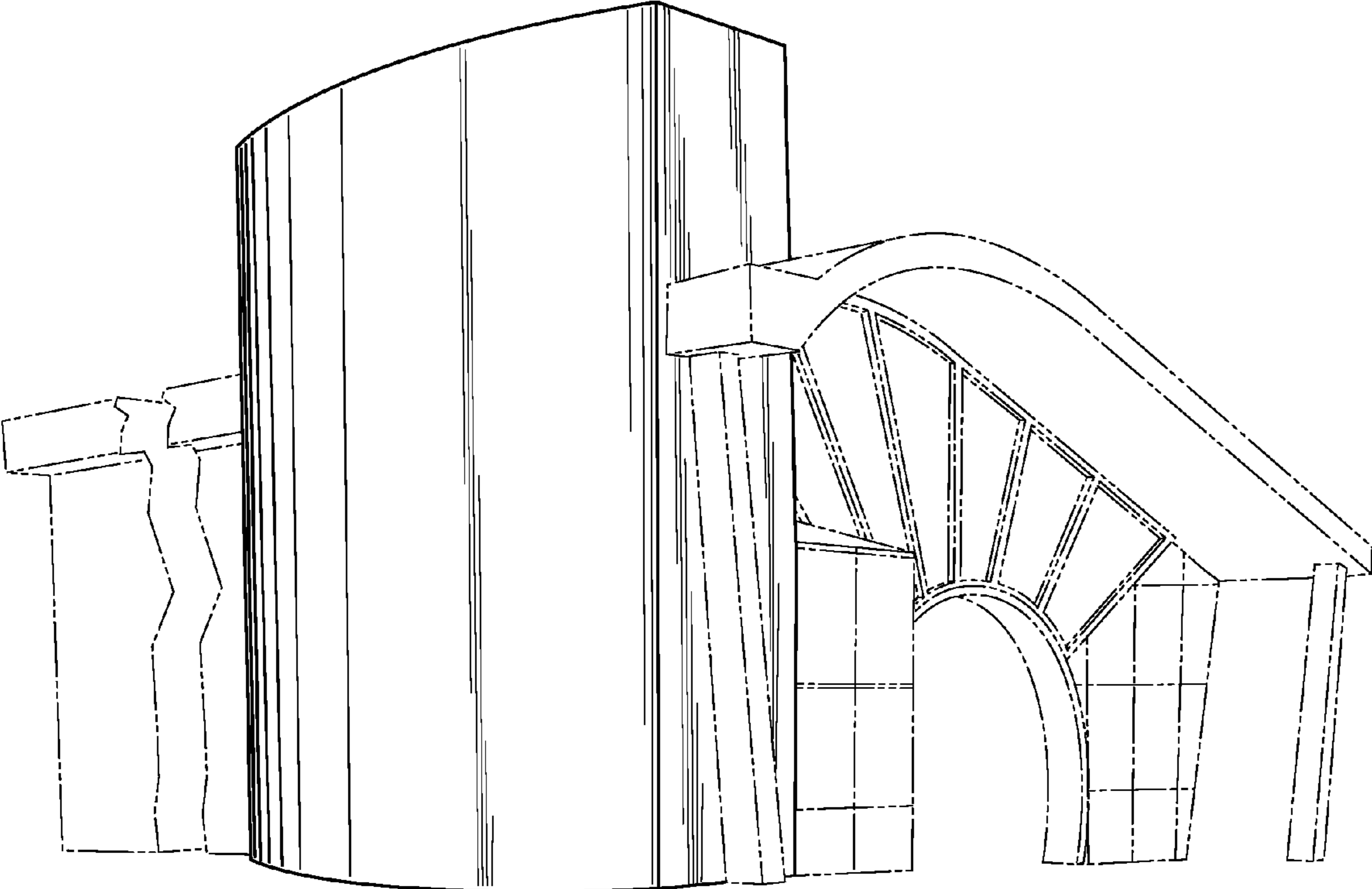


Fig. 2

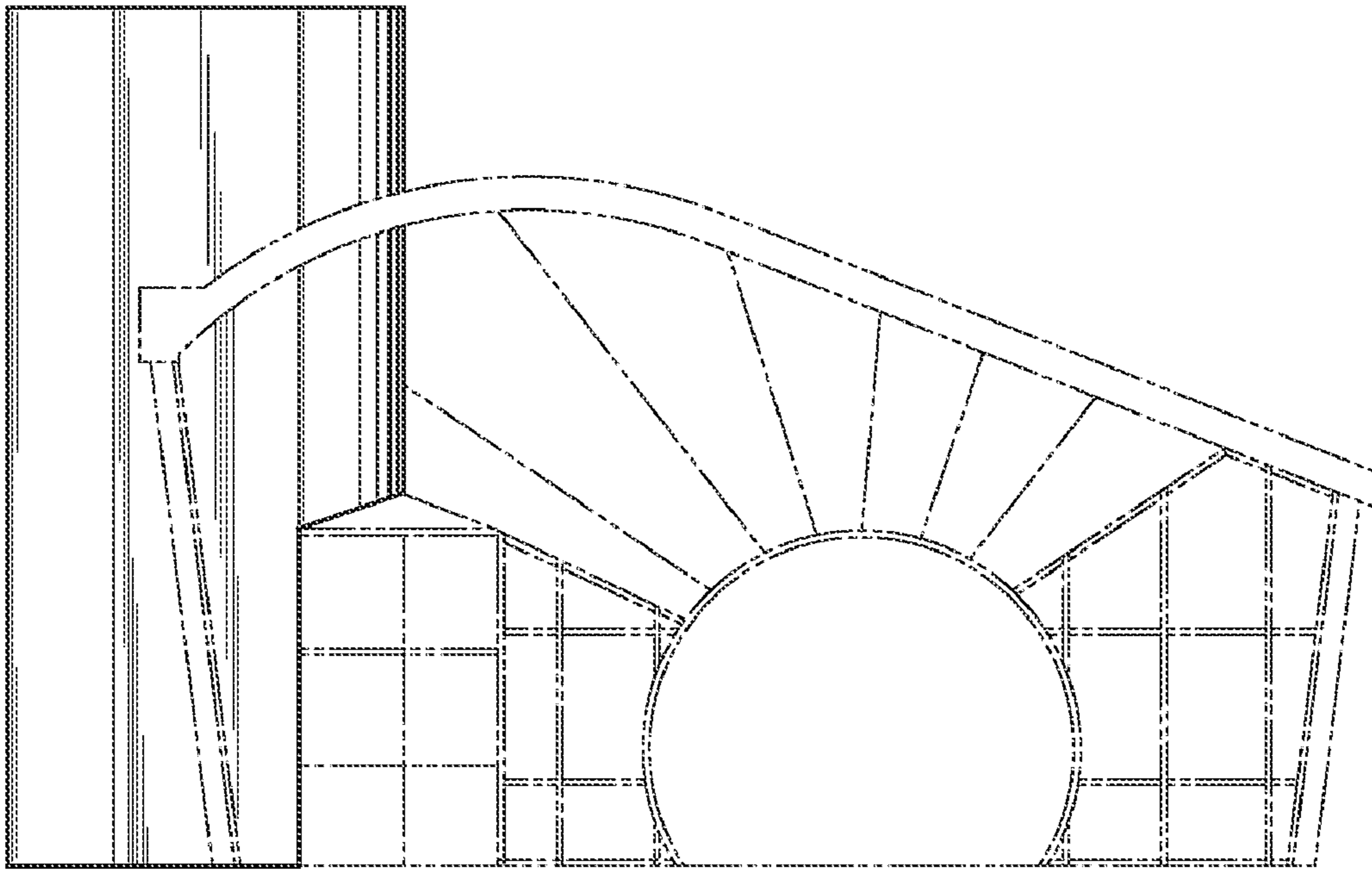


Fig. 3

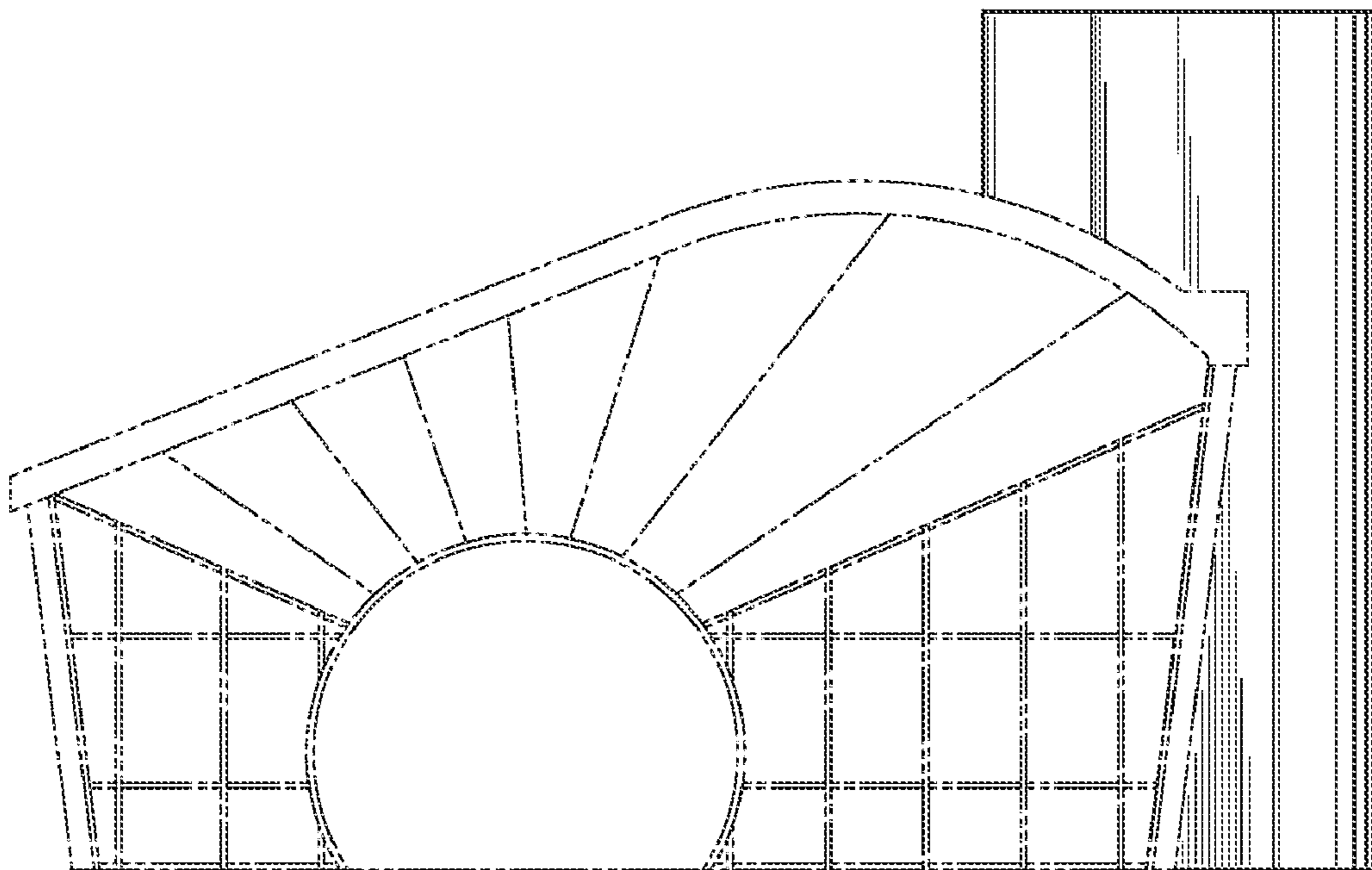


Fig. 4

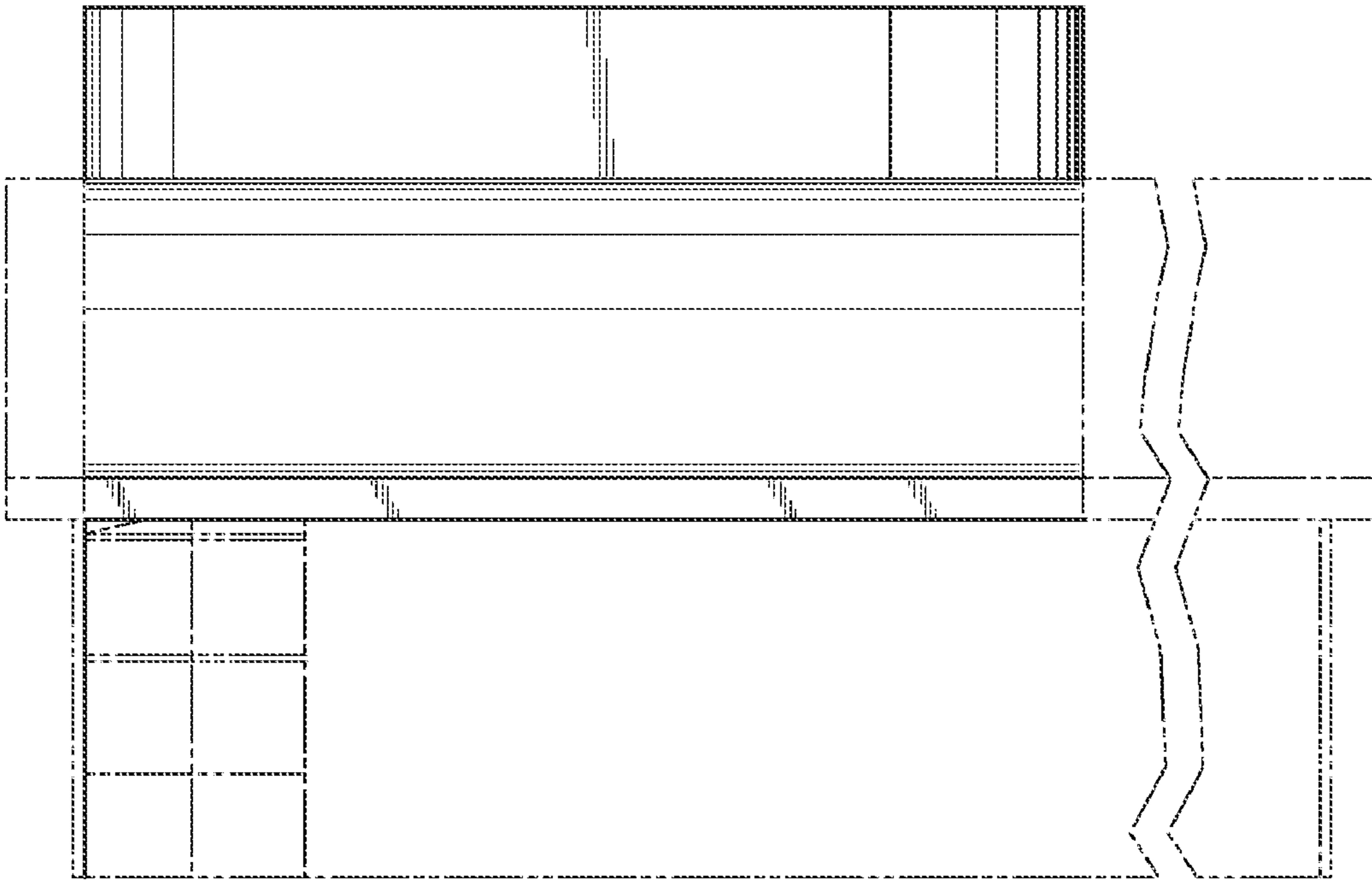


Fig. 5

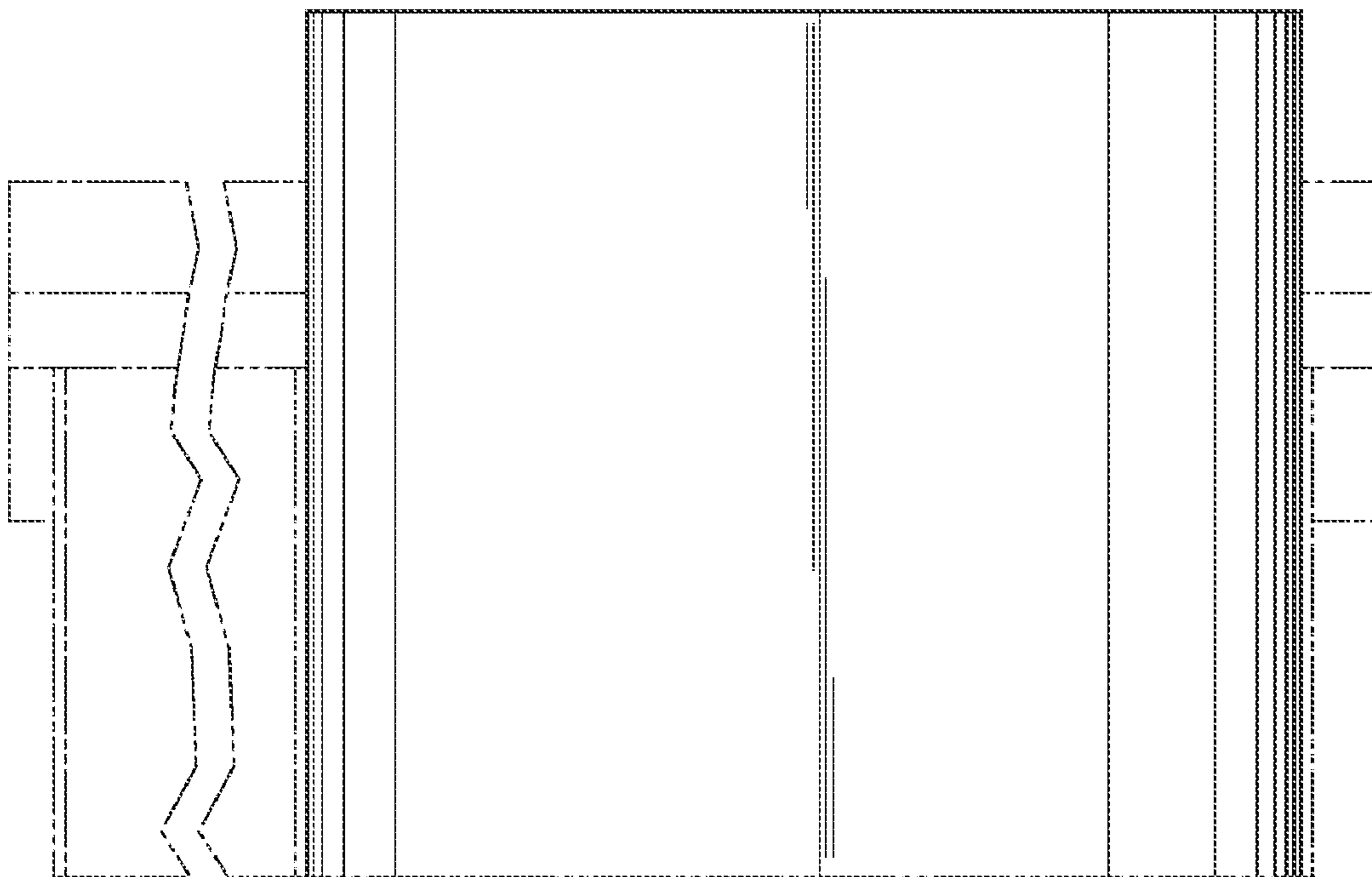


Fig. 6

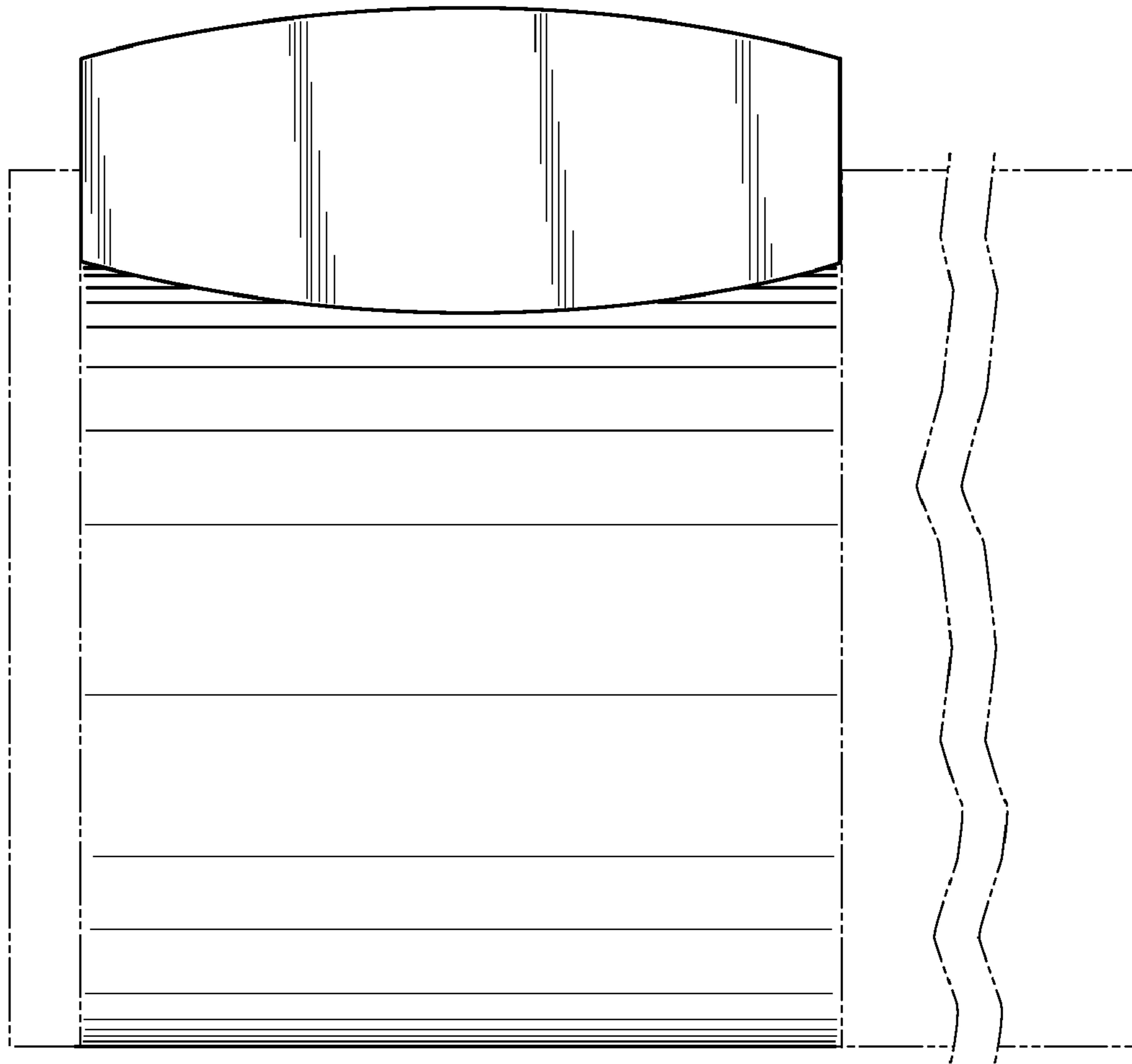


Fig. 7

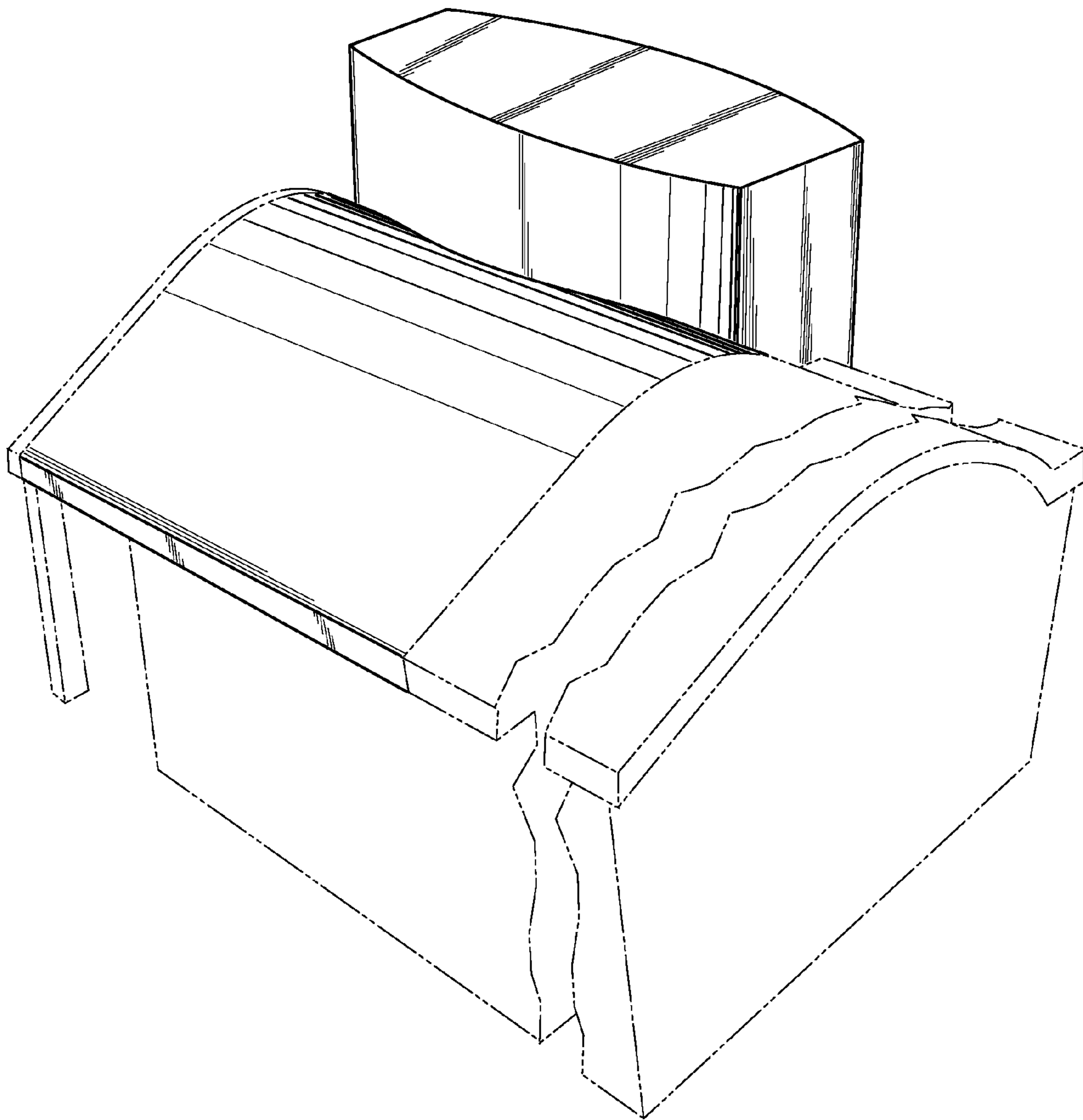


Fig. 8

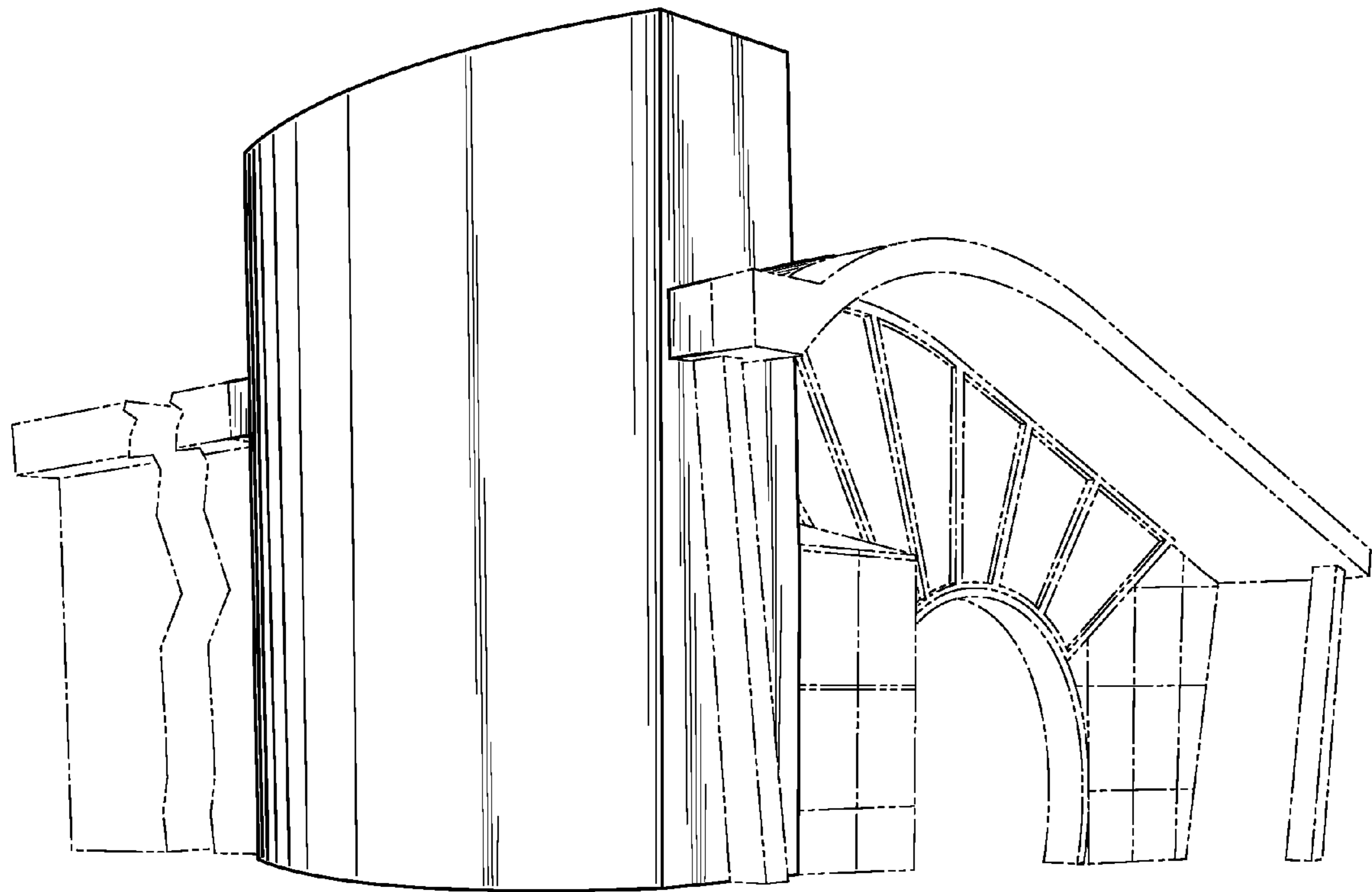


Fig. 9

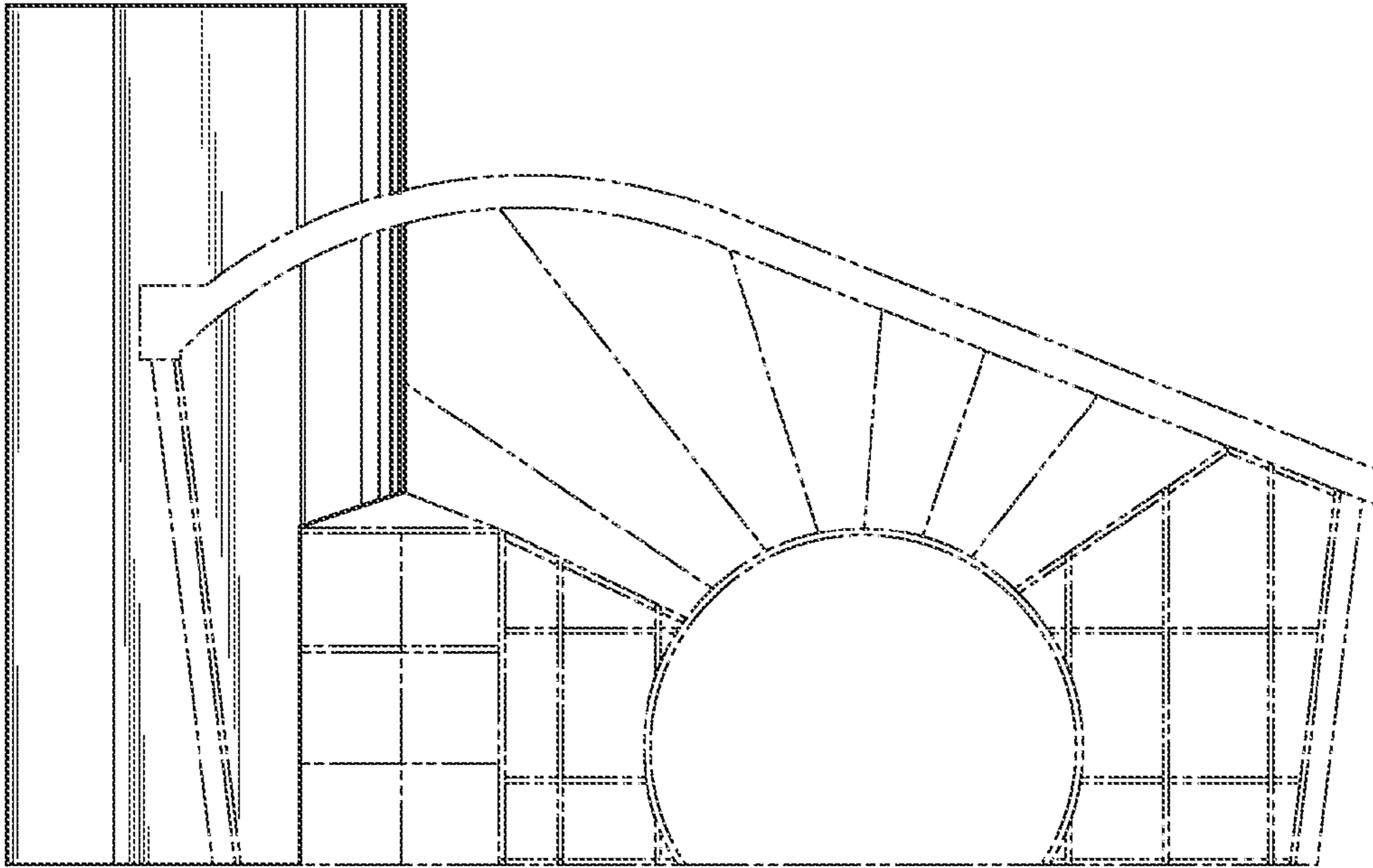


Fig. 10

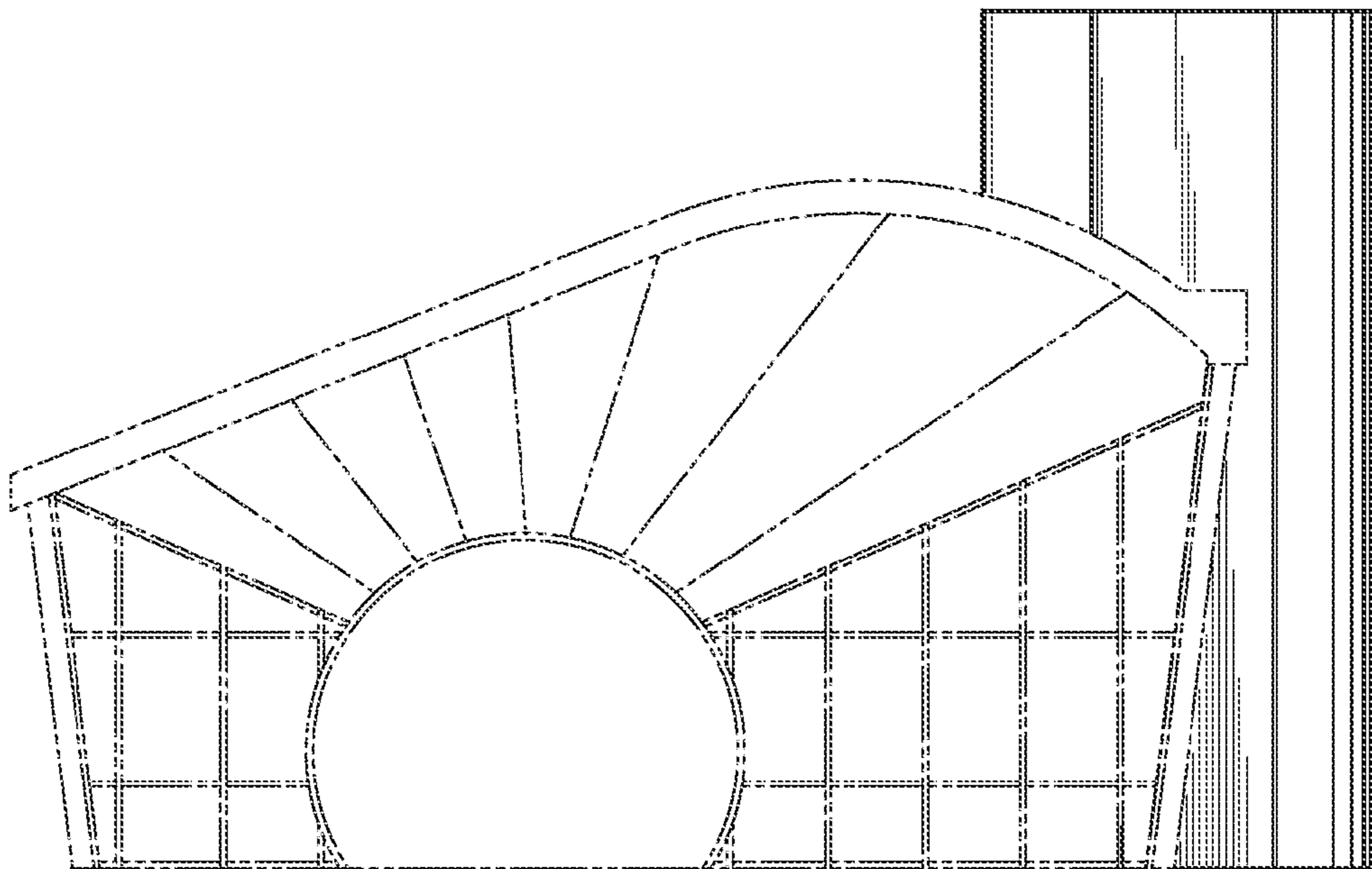


Fig. 11

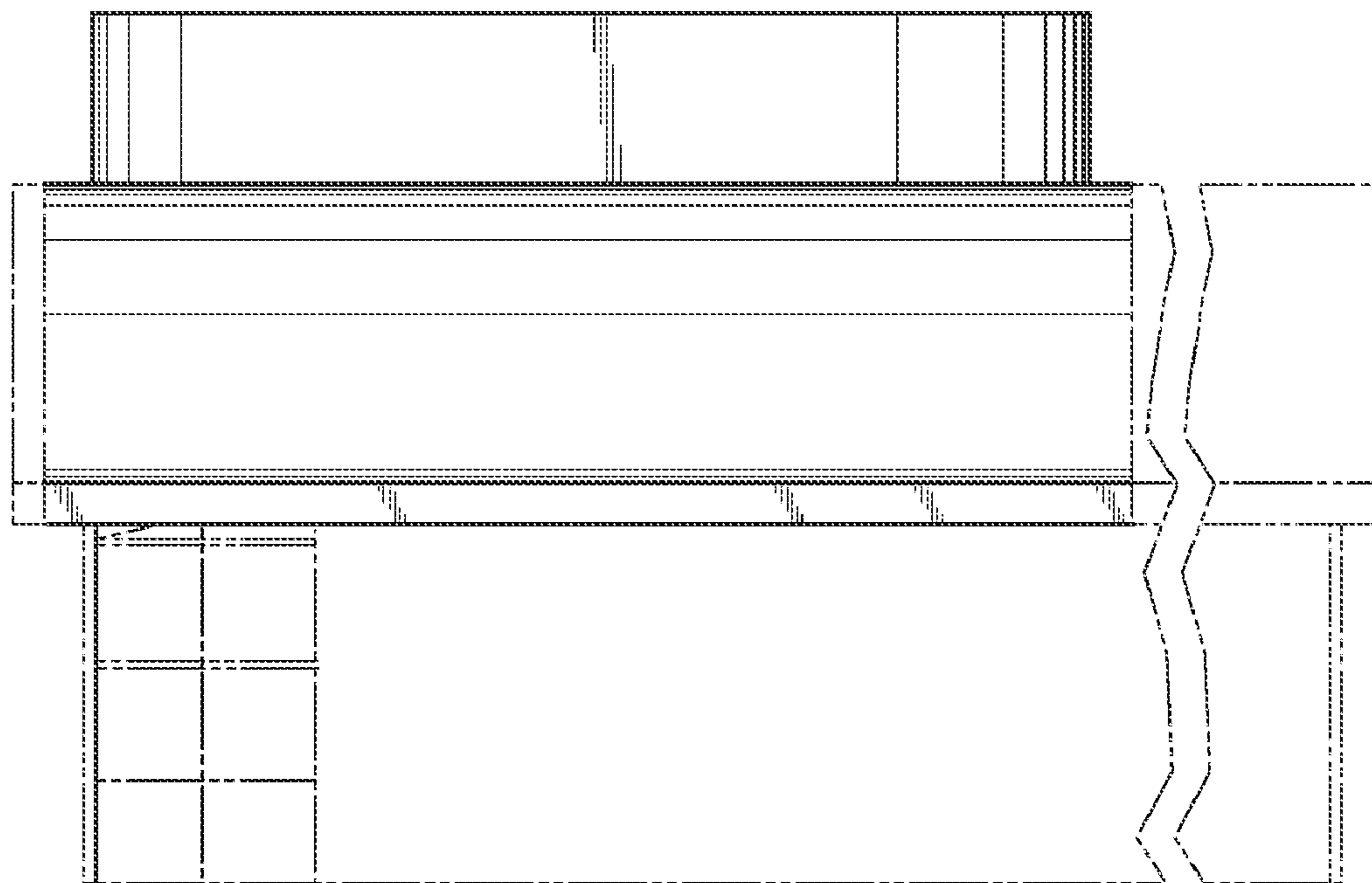


Fig. 12

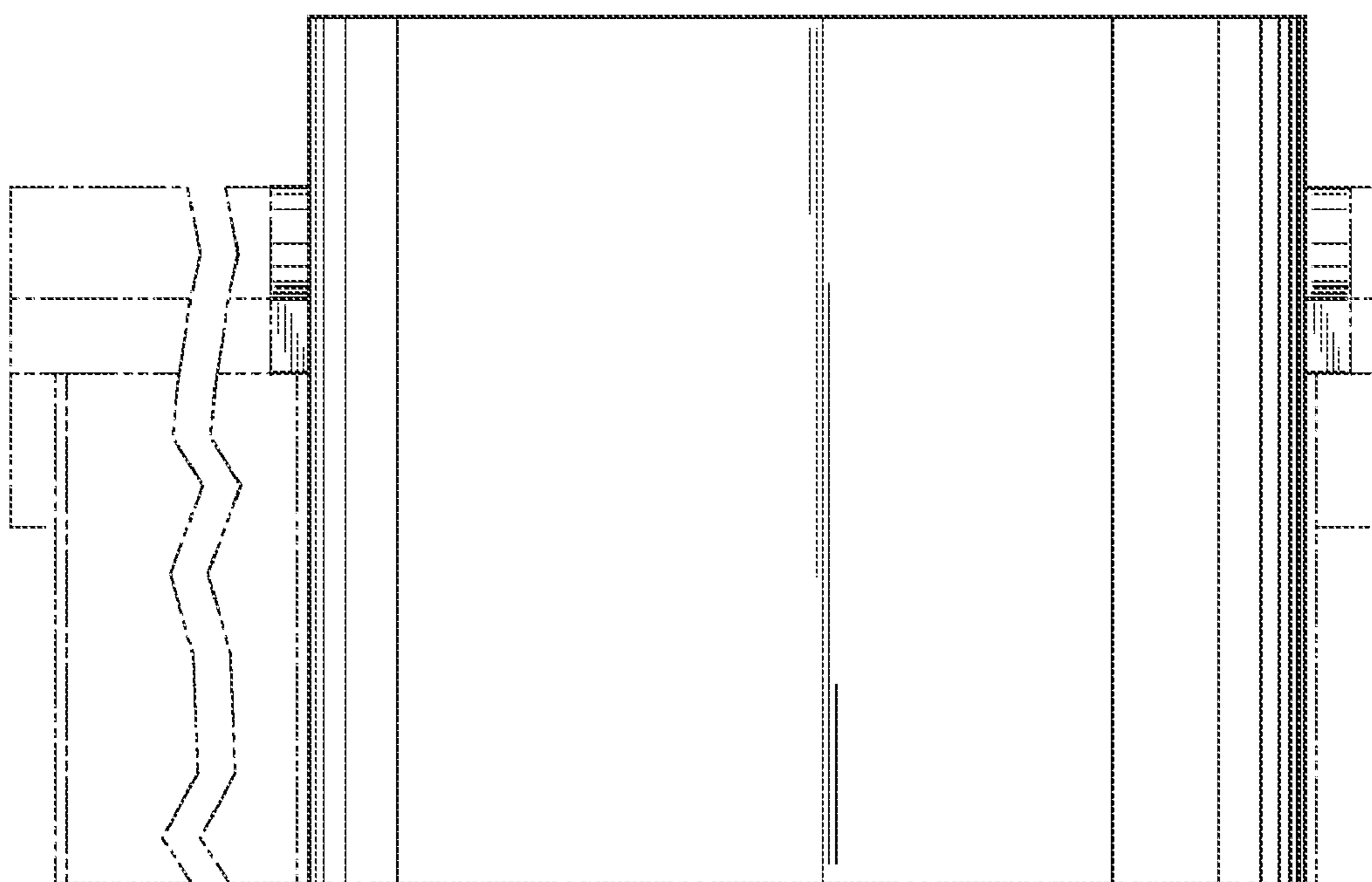


Fig. 13

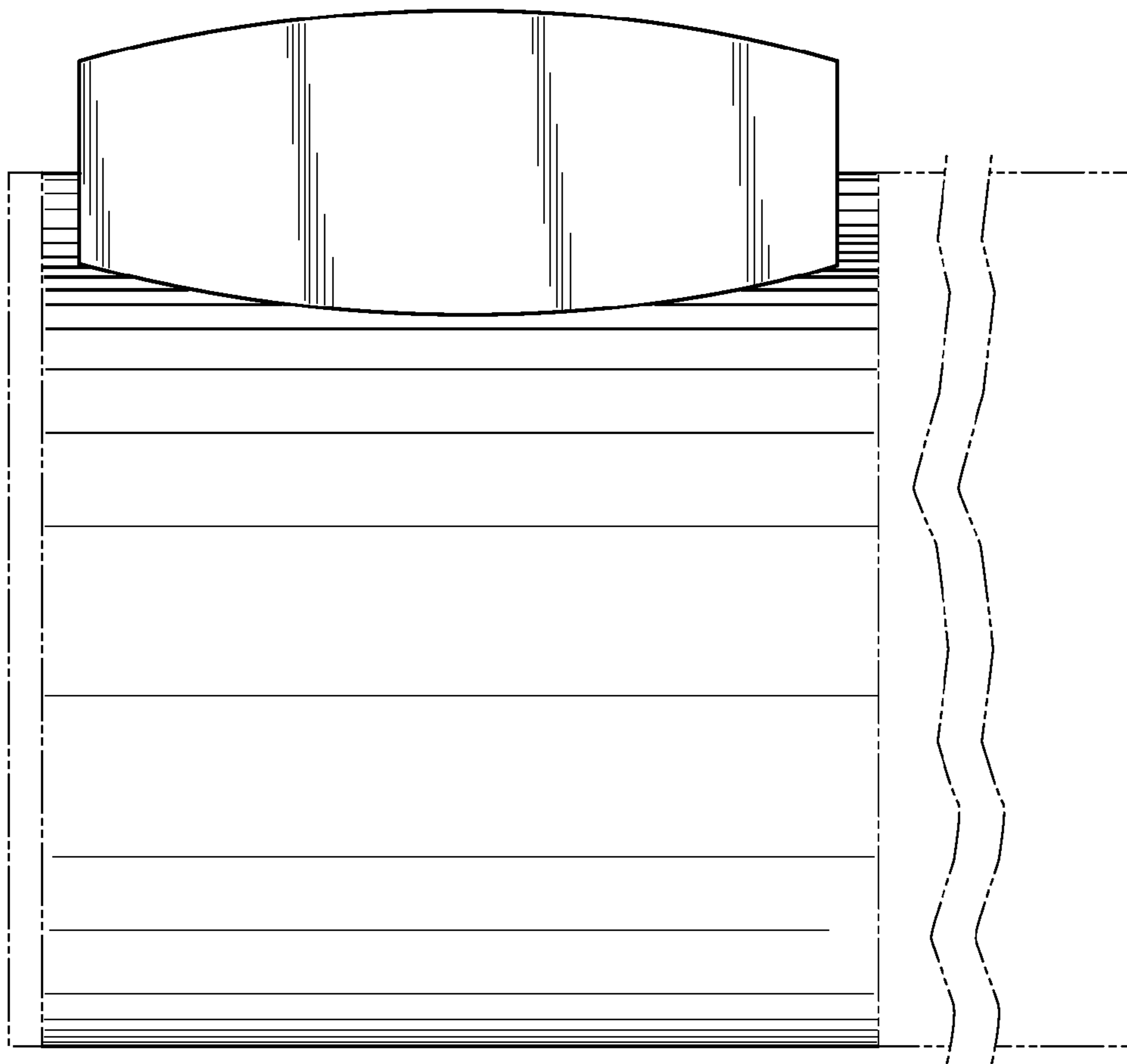


Fig. 14