



US00D616558S

(12) **United States Design Patent**
Tsai et al.

(10) **Patent No.:** **US D616,558 S**
(45) **Date of Patent:** **** May 25, 2010**

(54) **PORTABLE CHIROPRACTIC ADJUSTOR**

(75) Inventors: **Stephen C. Tsai**, Fullerton, CA (US);
Arlan W. Fuhr, Phoenix, AZ (US)

(73) Assignee: **Activator Methods International,**
Limited, Phoenix, AZ (US)

(**) Term: **14 Years**

(21) Appl. No.: **29/282,580**

(22) Filed: **Jul. 24, 2007**

(51) **LOC (9) Cl.** **24-02**

(52) **U.S. Cl.** **D24/200**

(58) **Field of Classification Search** D24/200,
D24/215; 606/237, 238, 239; 601/101, 107,
601/108, 97; D8/68, 70

See application file for complete search history.

(56) **References Cited**

U.S. PATENT DOCUMENTS

2,078,159 A	4/1937	Redding	
4,116,235 A	9/1978	Fuhr et al.	
4,276,941 A	7/1981	Wanner et al.	
4,498,464 A	2/1985	Morgan, Jr.	
4,556,803 A	12/1985	Weigert	
4,682,490 A	7/1987	Adelman et al.	
4,716,890 A	1/1988	Bichel	
4,841,955 A	6/1989	Evans et al.	
5,618,315 A	4/1997	Elliott	
5,626,615 A	5/1997	Keller et al.	
5,656,017 A	8/1997	Keller et al.	
5,897,510 A	4/1999	Keller et al.	
6,379,375 B1	4/2002	Fuhr	
6,503,211 B2	1/2003	Frye	
6,602,211 B2*	8/2003	Tucek 601/97

6,702,836 B2	3/2004	Fuhr	
7,169,169 B2*	1/2007	Tucek et al. 606/239
2005/0090863 A1*	4/2005	Miller 601/108
2006/0047315 A1	3/2006	Colloca et al.	
2006/0293711 A1	12/2006	Keller et al.	
2009/0005812 A1*	1/2009	Fuhr 606/237

FOREIGN PATENT DOCUMENTS

GB	2 275 196 A	8/1994
WO	WO 2005/023093 A2	3/2005

* cited by examiner

Primary Examiner—Cathron C Brooks

Assistant Examiner—Melanie Levy

(74) *Attorney, Agent, or Firm*—Greenberg Traurig, LLP

(57) **CLAIM**

The ornamental design for a portable chiropractic adjuster, as shown and described.

DESCRIPTION

FIG. 1 is a top plan view of a portable chiropractic adjuster, showing our new design;

FIG. 2 is a right elevational side view of the portable chiropractic adjuster shown in FIG. 1;

FIG. 3 is a left elevational side view of the portable chiropractic adjuster shown in FIG. 1;

FIG. 4 is a bottom view of the portable chiropractic adjuster shown in FIG. 1;

FIG. 5 is a front elevational view of the portable chiropractic adjuster shown in FIG. 1; and,

FIG. 6 is a rear elevational view of the portable chiropractic adjuster shown in FIG. 1.

1 Claim, 6 Drawing Sheets

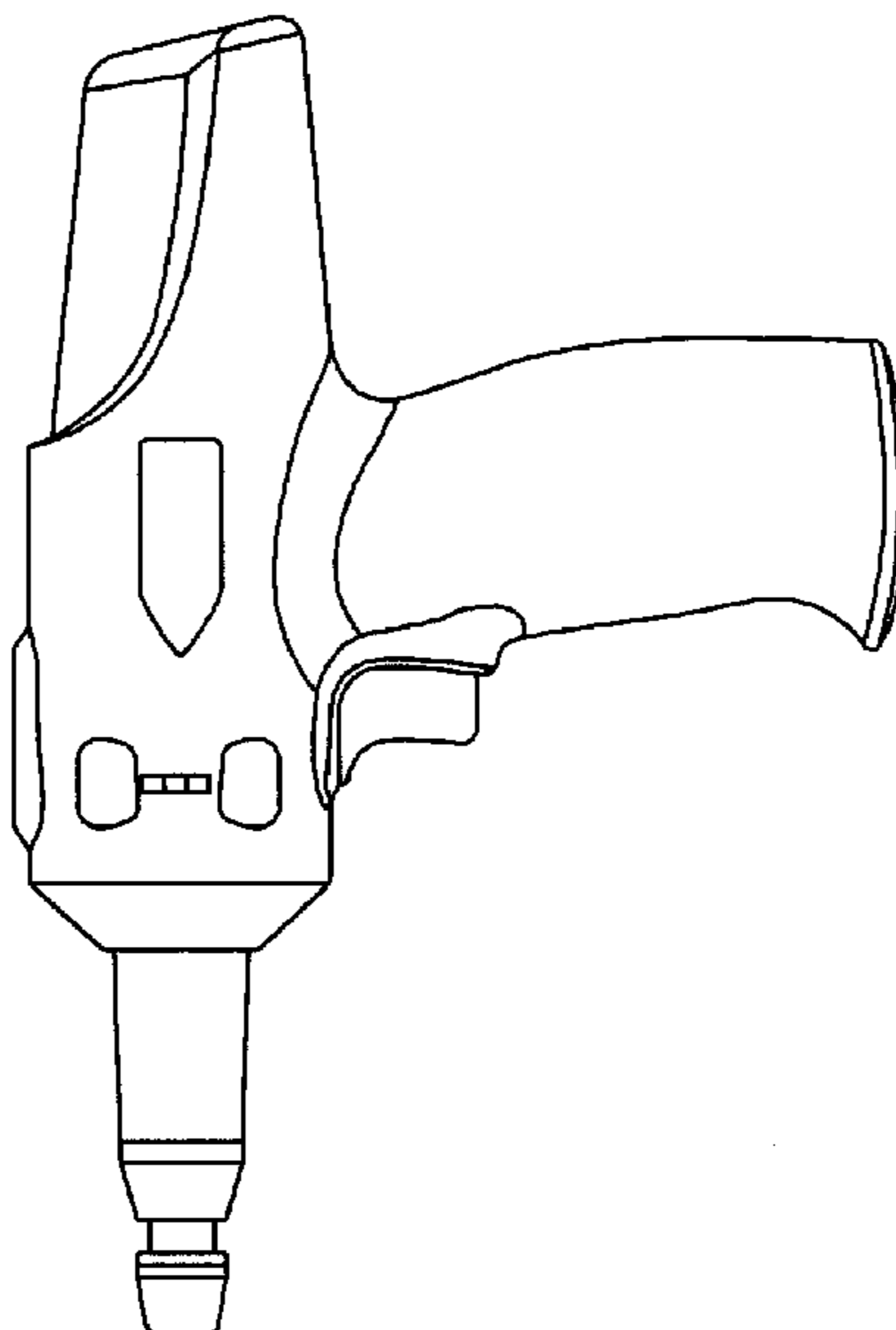


FIG. 1

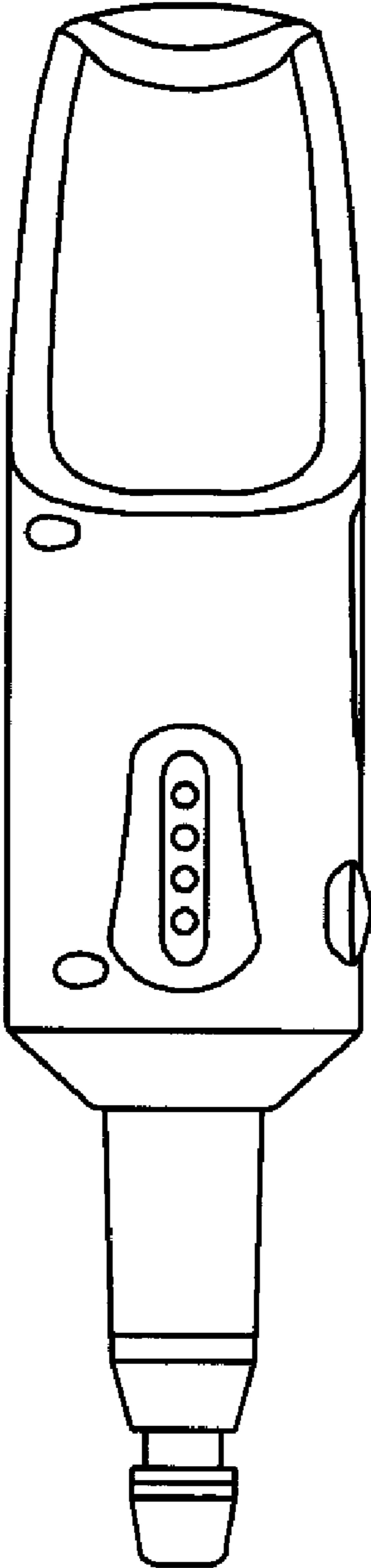


FIG. 2

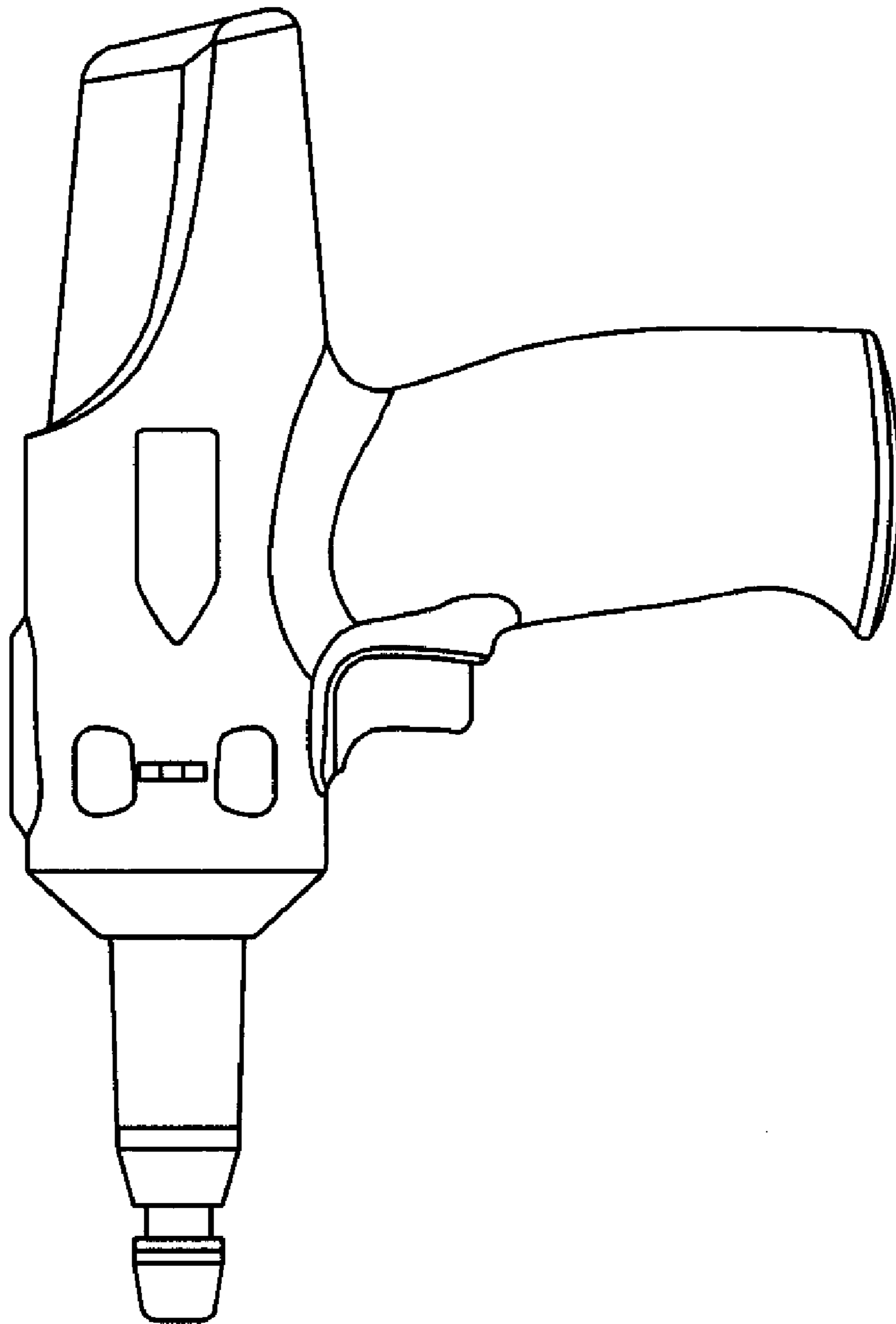


FIG. 3

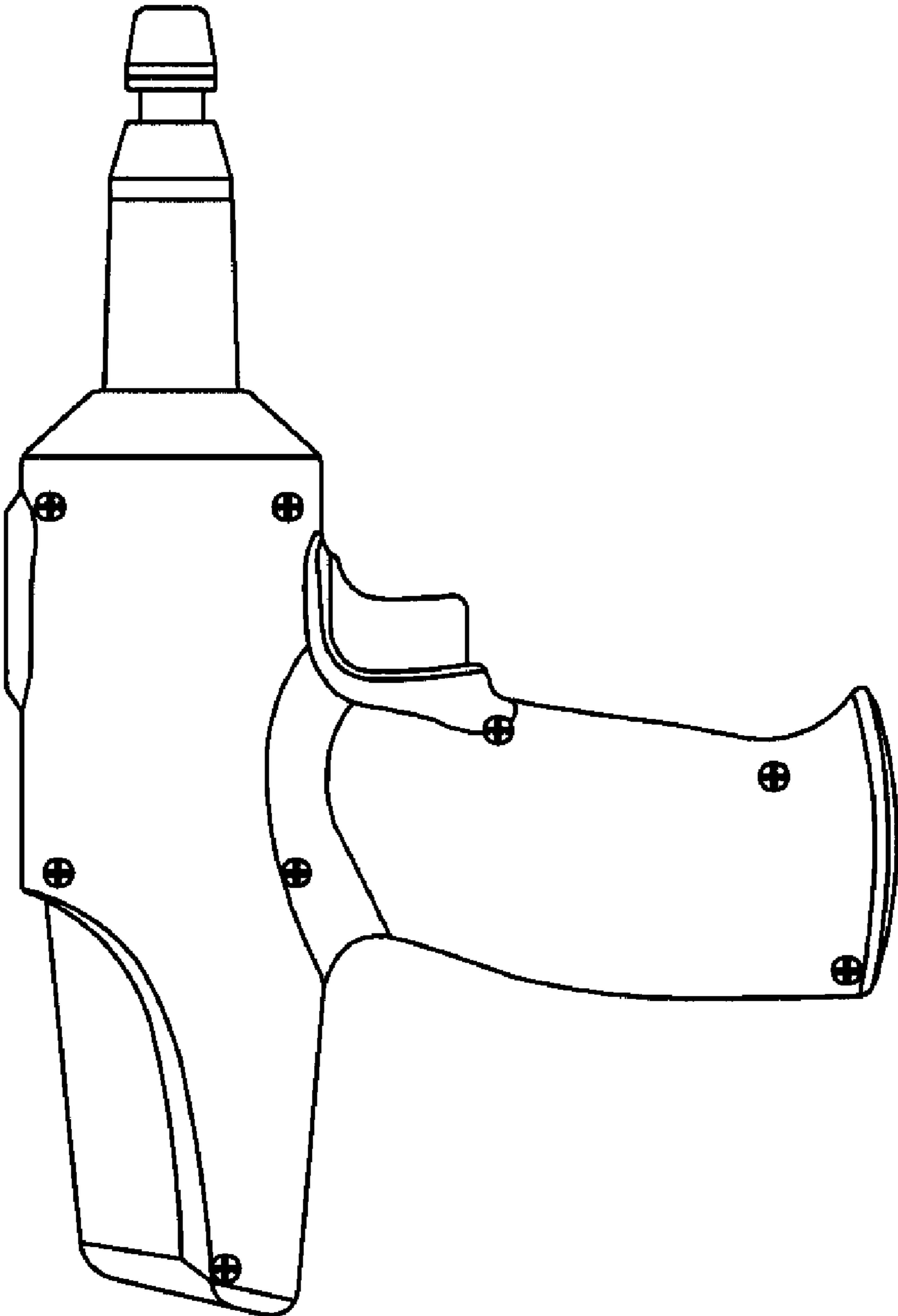


FIG. 4

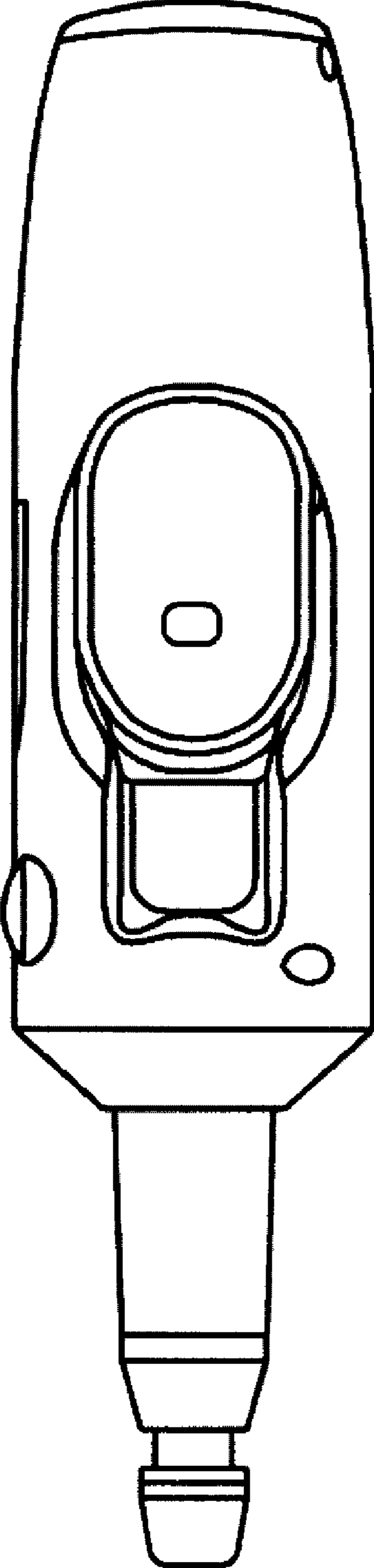


FIG. 5

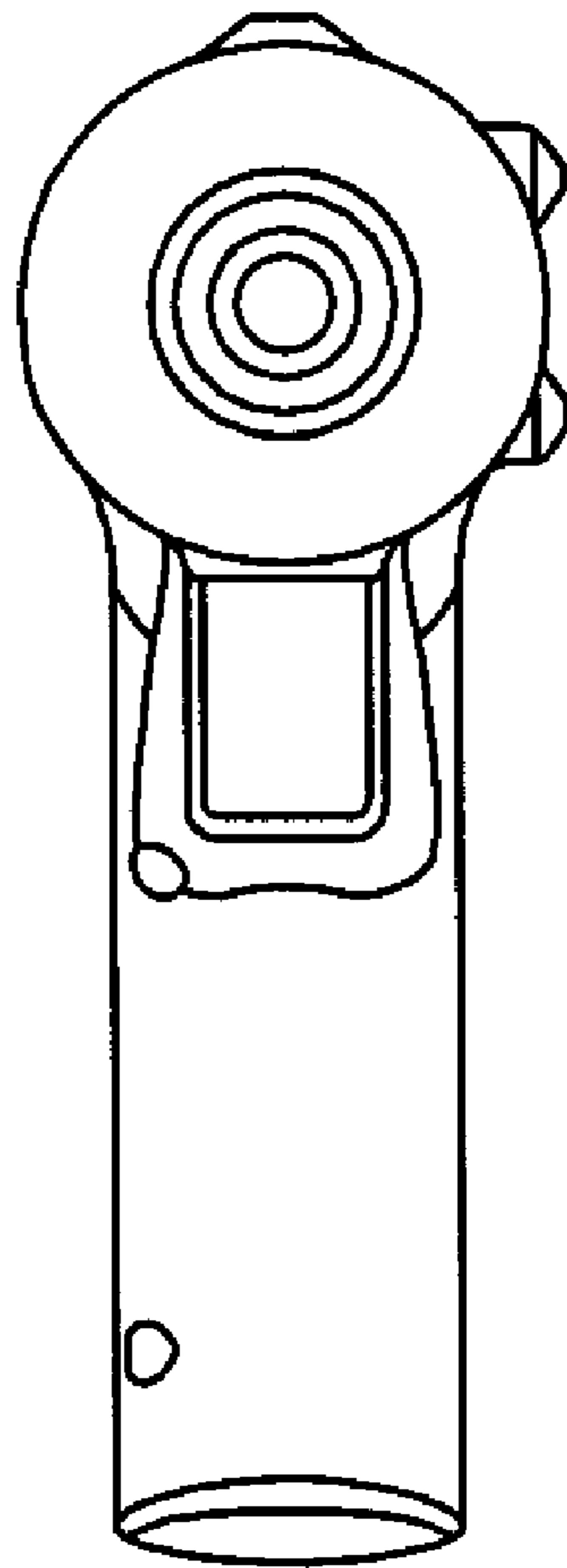


FIG. 6

