



US00D616552S

(12) **United States Design Patent**
Lee et al.

(10) **Patent No.:** **US D616,552 S**
(45) **Date of Patent:** **** May 25, 2010**

(54) **MEDICAL DEVICE CONTROLLER**

D416,233 S * 11/1999 Tsai D13/147
D456,509 S * 4/2002 Schultz D24/133

(75) Inventors: **Minh Lee**, Kensington (AU); **Peter Joseph Ayre**, Crows Nest (AU)

* cited by examiner

(73) Assignees: **Ventrassist Pty Ltd.**, Chatwood, NSW (AU); **University of New South Wales**, Kensington, NSW (AU)

Primary Examiner—T. Chase Nelson

Assistant Examiner—Mark Cavanna

(74) *Attorney, Agent, or Firm*—Kaplan Gilman & Pergament LLP

(**) Term: **14 Years**

(57) **CLAIM**

(21) Appl. No.: **29/242,708**

The ornamental design for a medical device controller, substantially as shown and described.

(22) Filed: **Nov. 14, 2005**

(30) **Foreign Application Priority Data**

DESCRIPTION

Nov. 2, 2005 (AU) 14827/2005

FIG. 1 is a top front perspective view of the controller;

FIG. 2 is a front view of the medical device controller;

(51) **LOC (9) Cl.** **24-01**

(52) **U.S. Cl.** **D24/186; D24/232**

FIG. 3 is a right side view of the medical device controller;

FIG. 4 is a top back perspective view of the medical controller;

(58) **Field of Classification Search** D24/107,

D24/133, 144, 164, 167, 170, 185–187, 231–232;

D14/356–357; 600/300–301, 342, 368, 372,

600/481, 529, 544, 554, 561; D13/133, 153,

D13/147; 422/119

FIG. 5 is a top front perspective view of the medical device controller;

FIG. 6 is a top view of the medical device controller;

FIG. 7 is a back view of the medical device controller;

See application file for complete search history.

FIG. 8 is a left side view of the medical device controller; and,

FIG. 9 is a bottom view of the medical controller.

(56) **References Cited**

U.S. PATENT DOCUMENTS

5,007,704 A * 4/1991 McCartney 600/342

5,343,869 A * 9/1994 Pross et al. 600/301

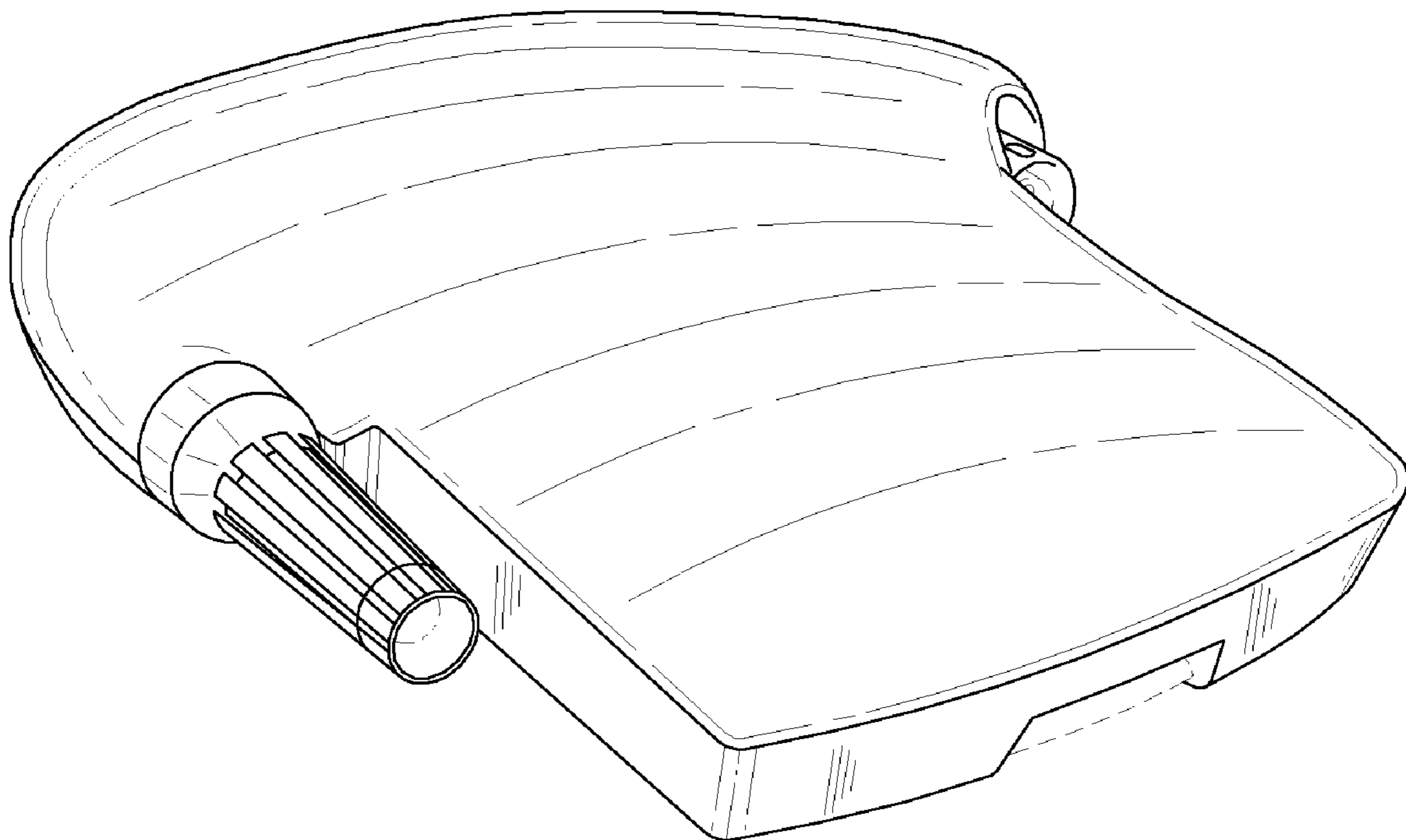
D363,989 S * 11/1995 Crouse D24/187

D366,528 S * 1/1996 Crouse et al. D24/187

D393,830 S * 4/1998 Tobler et al. D13/133

The broken lines are included for the purpose of illustrating portions of the medical device controller that form no part of the claimed design.

1 Claim, 7 Drawing Sheets



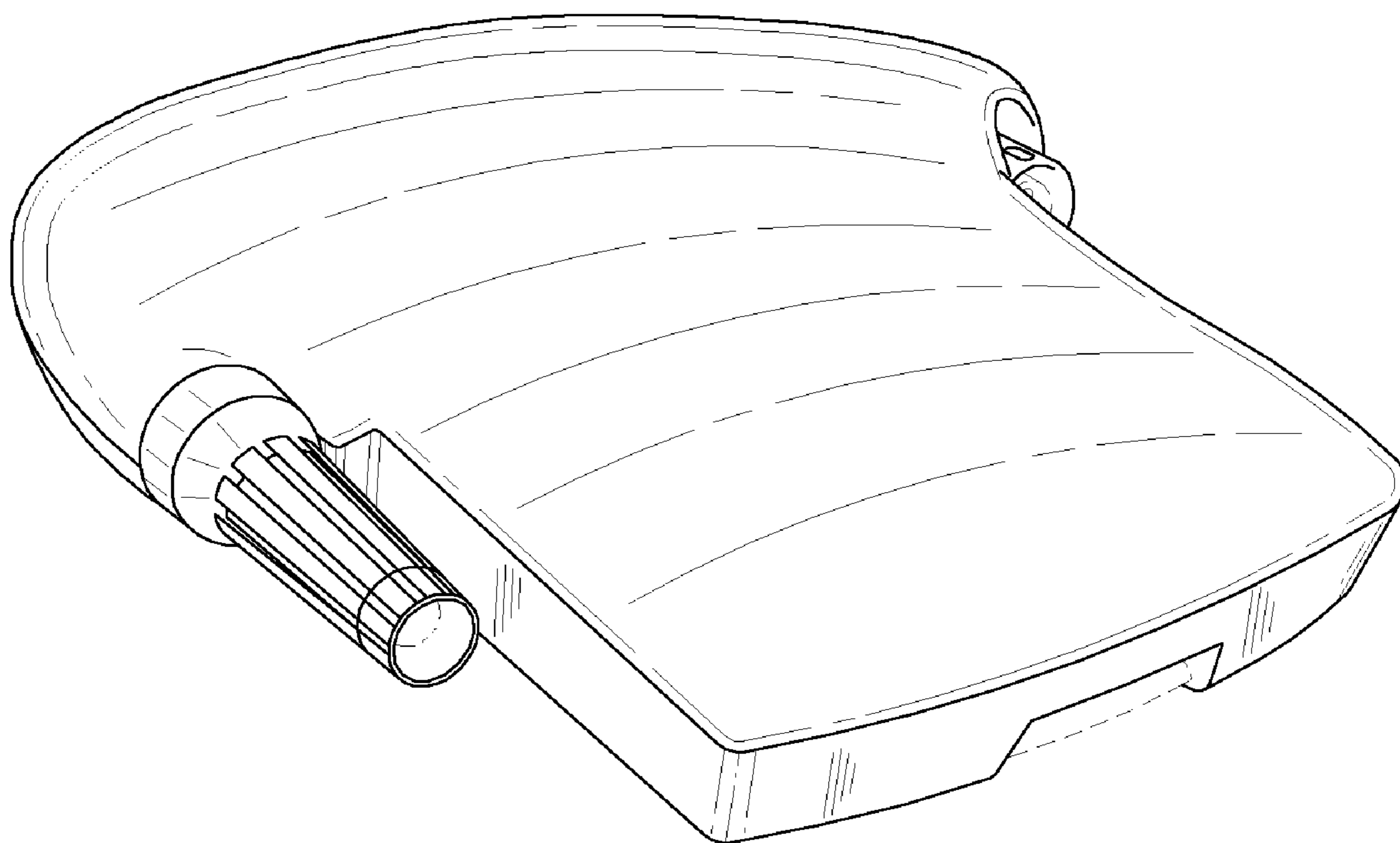


FIG. 1

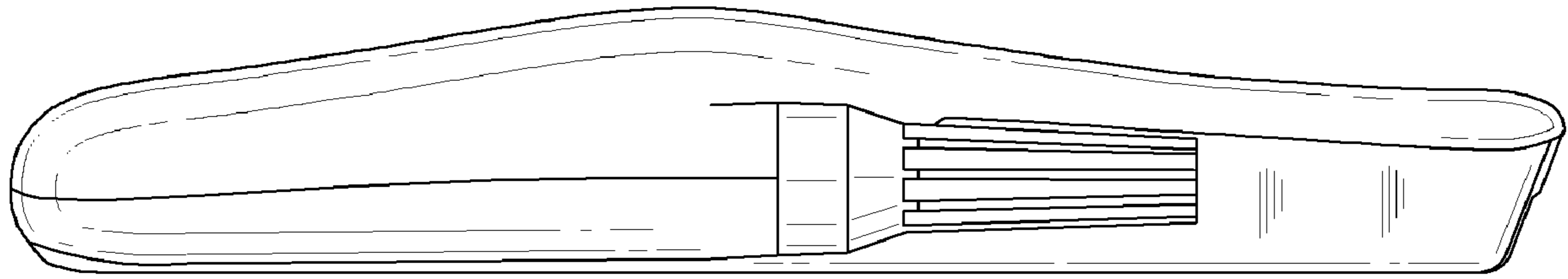


FIG. 2

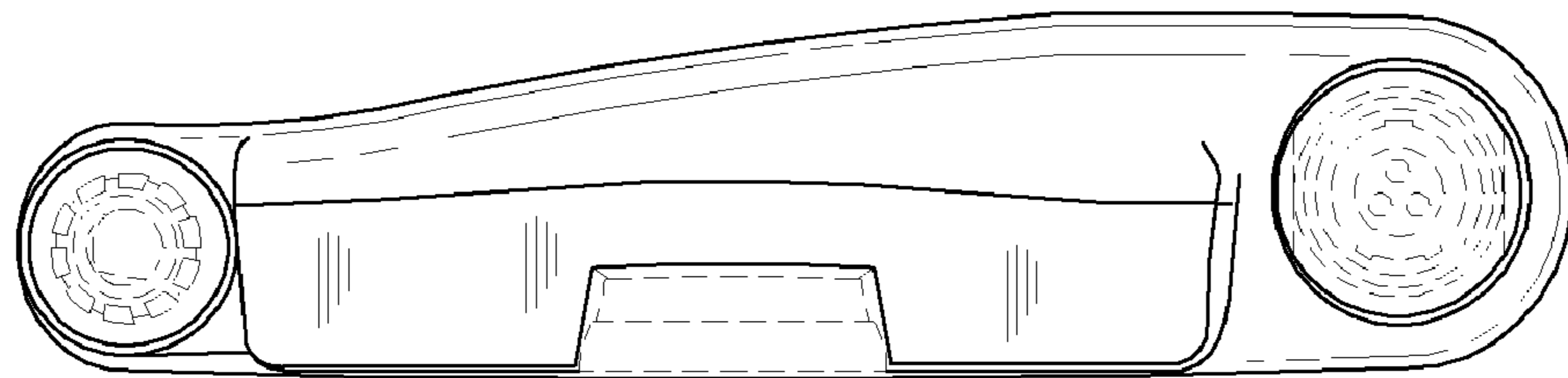


FIG. 3

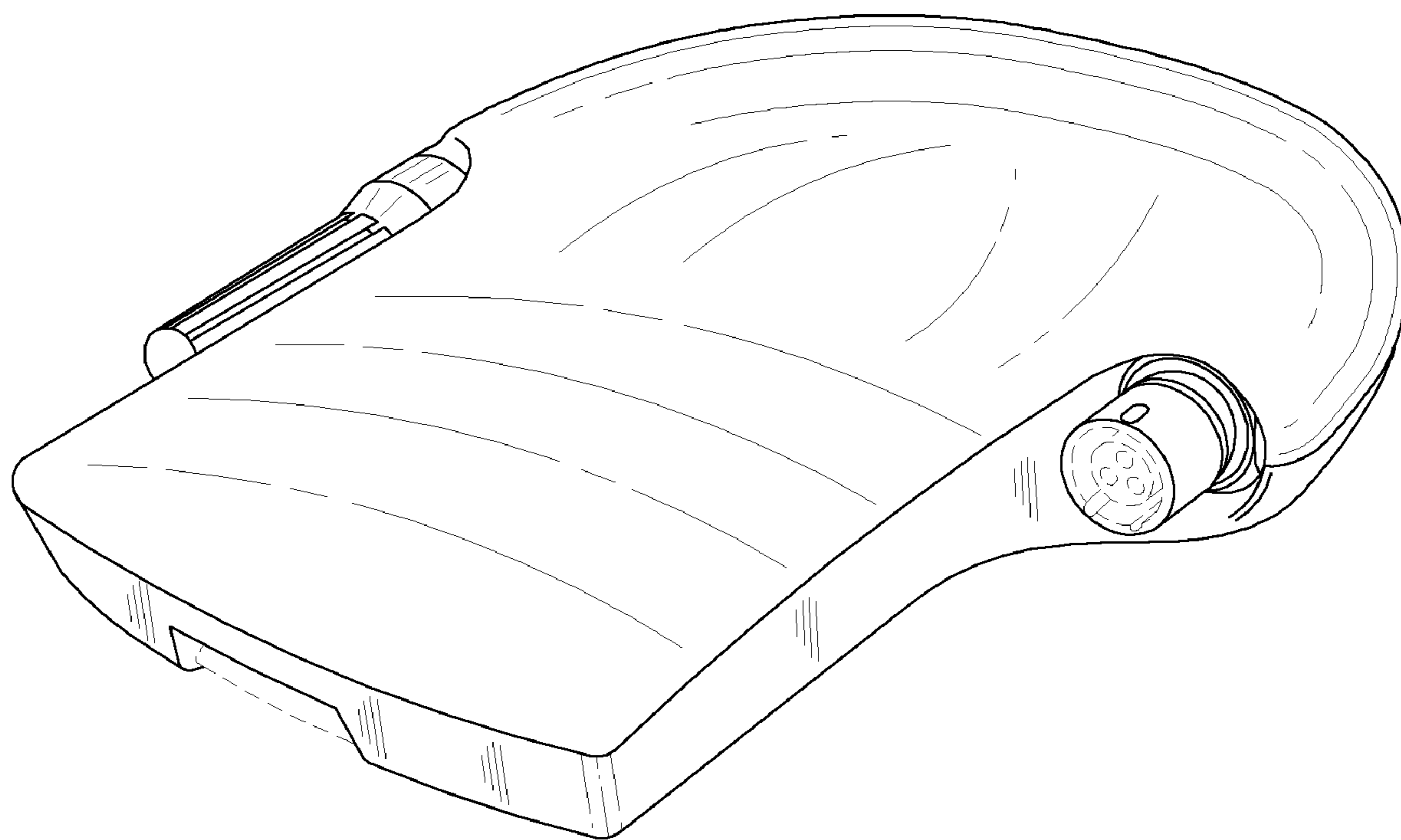


FIG. 4

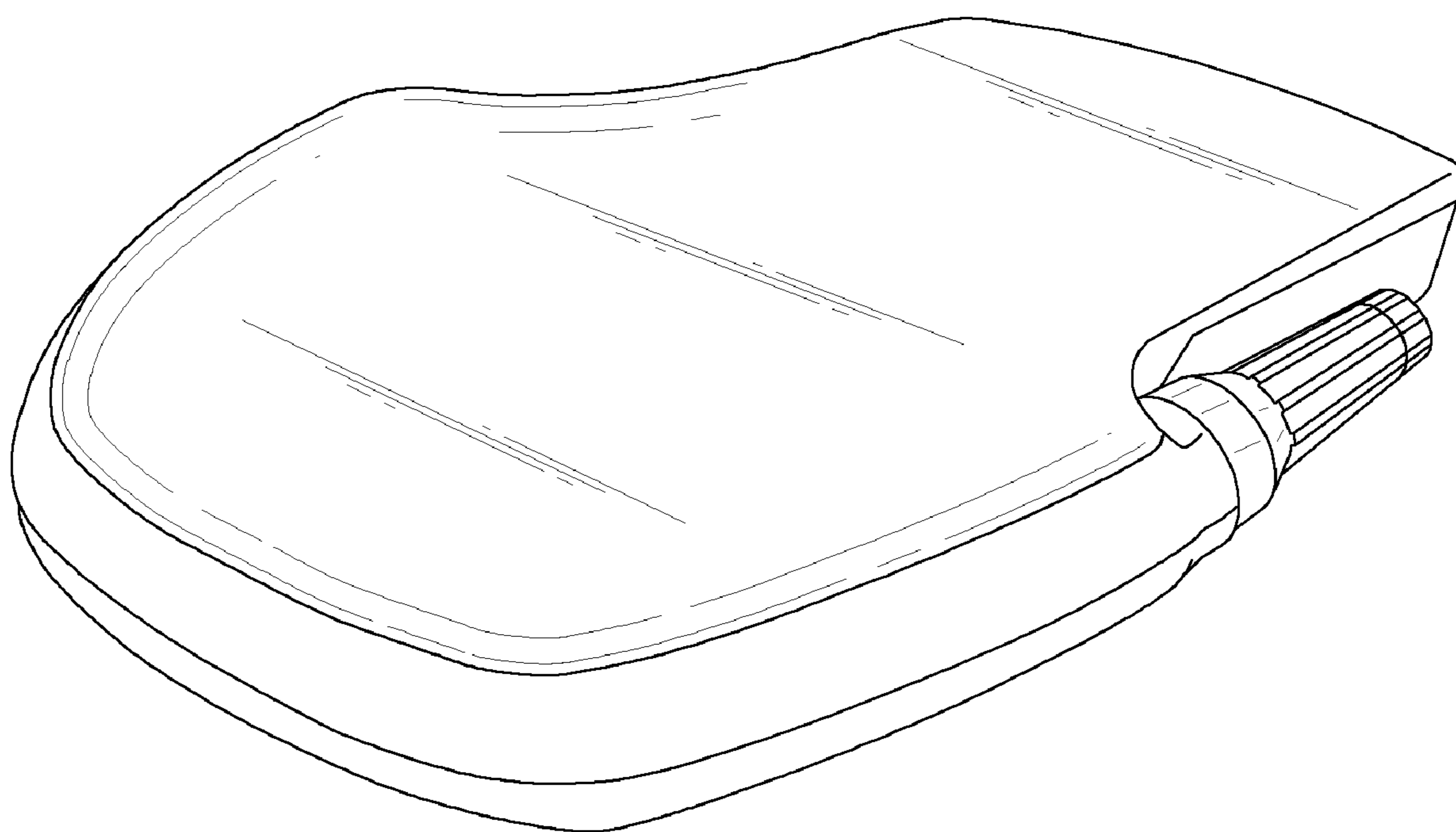


FIG. 5

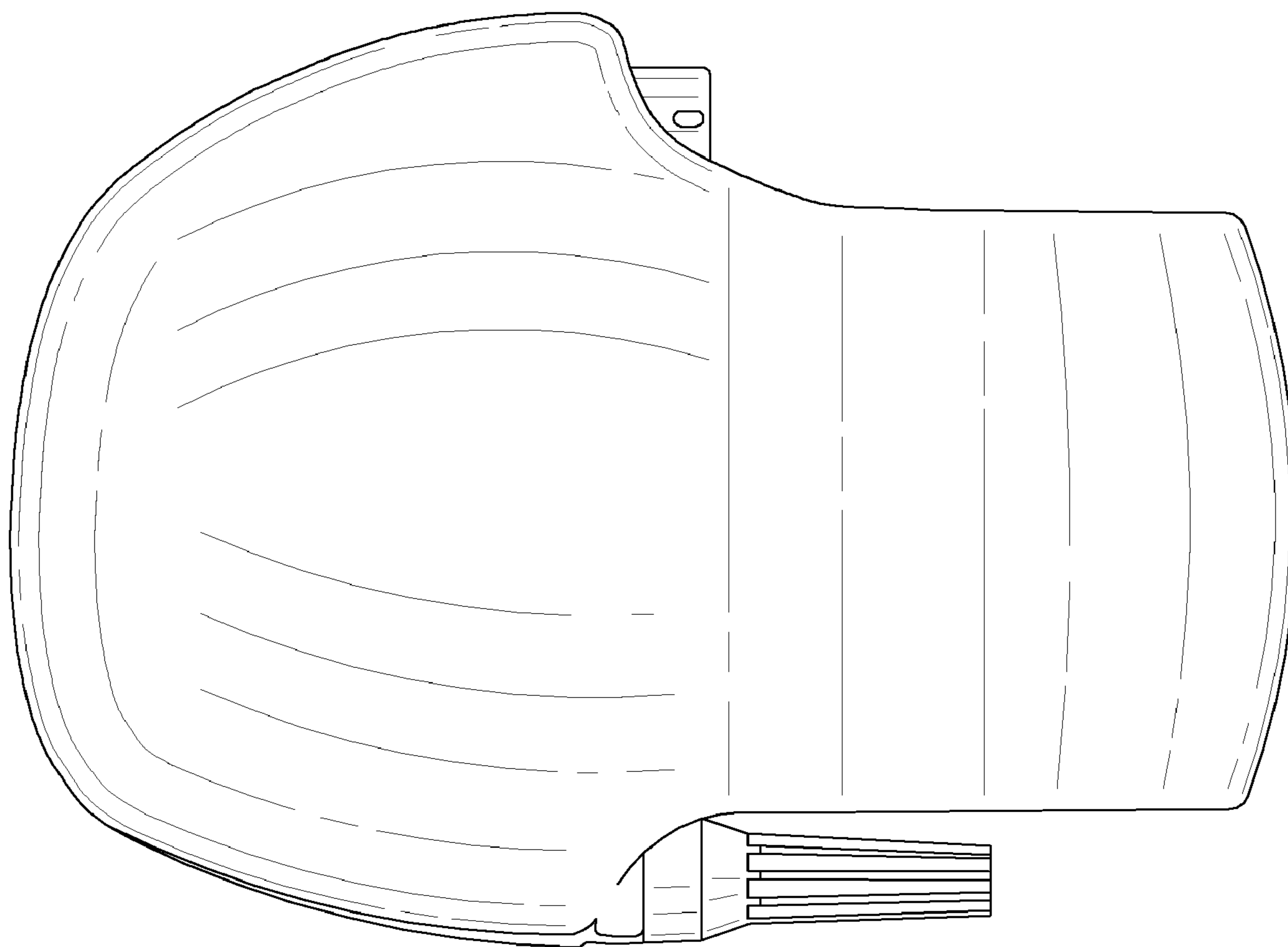


FIG. 6

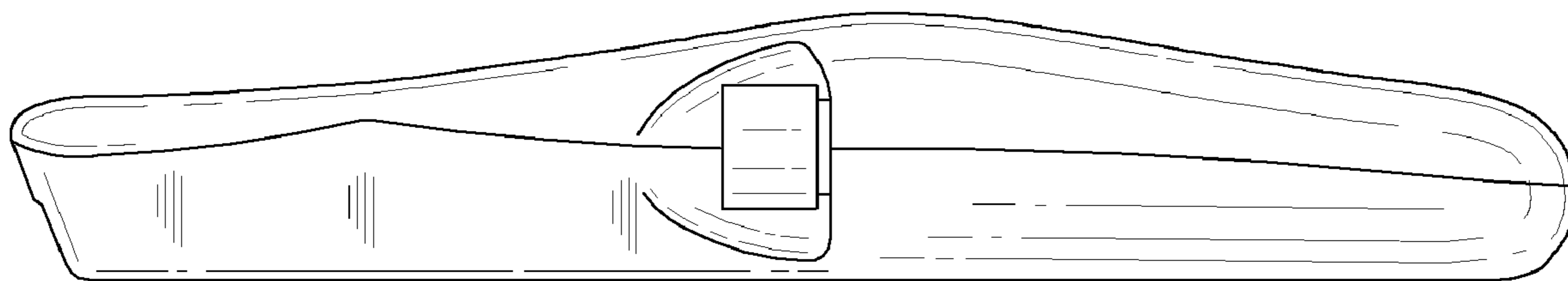


FIG. 7

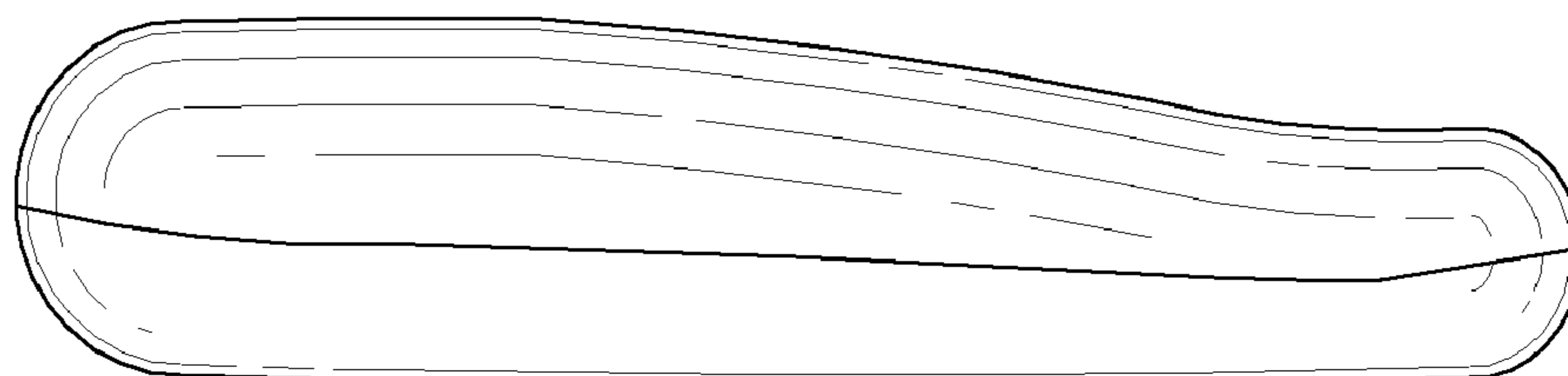


FIG. 8

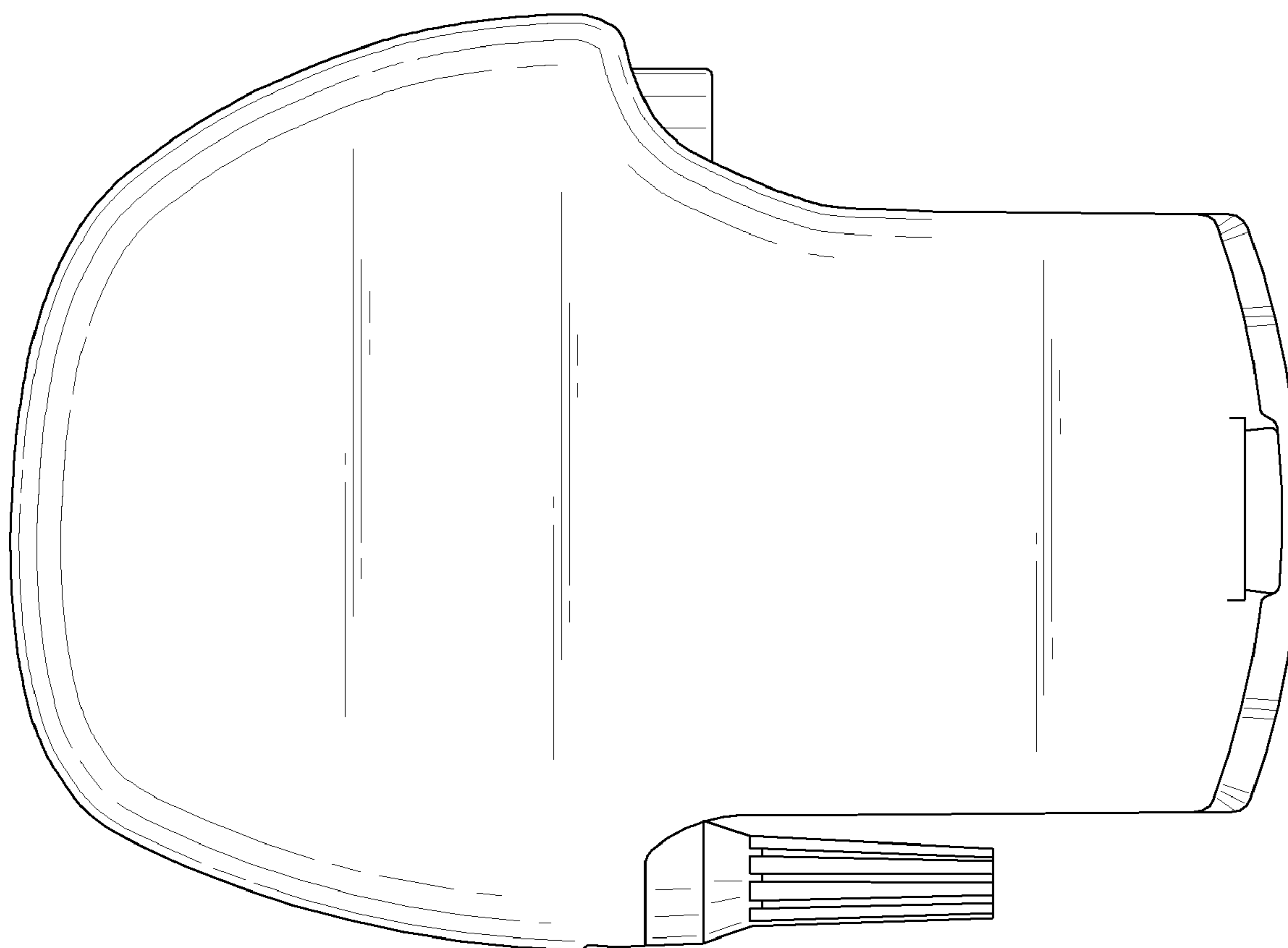


FIG. 9