



US00D616548S

(12) **United States Design Patent**
Fares et al.

(10) **Patent No.:** **US D616,548 S**
(45) **Date of Patent:** **** May 25, 2010**

(54) **FIXTURE ANALOG FOR DENTAL IMPLANT POSITION**

D604,413 S * 11/2009 Ikeya et al. D24/156
D604,852 S * 11/2009 Fares et al. D24/156
D606,196 S * 12/2009 Fares et al. D24/156

(75) Inventors: **Nassib Fares**, New Jdeideh (LB);
Joseph F. Saade, Sin El Fil (LB);
Ryosuke Ikeya, Tokyo (JP); **Shinichiro Hanada**, Tokyo (JP); **Masashi Takahashi**, Tokyo (JP)

OTHER PUBLICATIONS

U.S. Appl. No. 29/325,158, filed Sep. 26, 2008, Fares, et al.
U.S. Appl. No. 29/325,397, filed Sep. 30, 2008, Fares, et al.
U.S. Appl. No. 29/325,103, filed Sep. 25, 2008, Ikeya, et al.

* cited by examiner

Primary Examiner—Charles A Rademaker
(74) *Attorney, Agent, or Firm*—Oblon, Spivak, McClelland, Maier & Neustadt, L.L.P.

(73) Assignee: **GC Corporation**, Tokyo (JP)

(**) Term: **14 Years**

(21) Appl. No.: **29/325,158**

(22) Filed: **Sep. 26, 2008**

(30) **Foreign Application Priority Data**

Mar. 26, 2008 (JP) 2008-007586

(51) **LOC (9) Cl.** **24-03**

(52) **U.S. Cl.** **D24/156**

(58) **Field of Classification Search** D24/155,
D24/156, 180, 176; 433/173, 176; 606/304,
606/74, 72

See application file for complete search history.

(56) **References Cited**

U.S. PATENT DOCUMENTS

D362,720 S * 9/1995 Holmen et al. D24/155
D370,978 S * 6/1996 Broberg et al. D24/156
5,533,898 A * 7/1996 Mena 433/173
D496,535 S * 9/2004 Goodworth D6/366

(57) **CLAIM**

The ornamental design for a fixture analog for dental implant position, as shown and described.

DESCRIPTION

FIG. 1 is a front elevation of a fixture analog for dental implant position showing our new design, the rear elevation being a mirror image thereof;

FIG. 2 is a left side elevational view thereof;

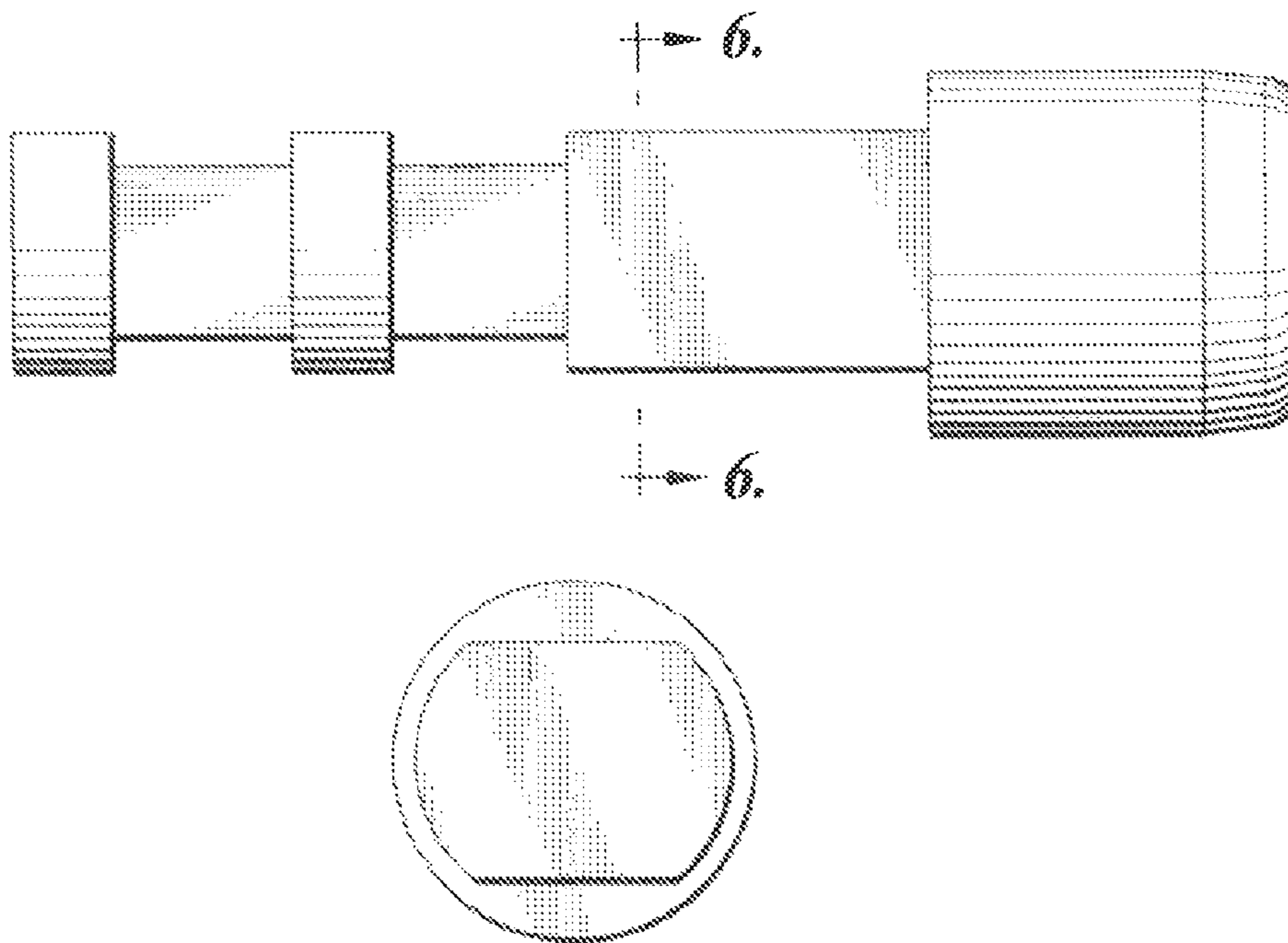
FIG. 3 is a right side elevational view thereof;

FIG. 4 is a top plan view thereof, the bottom plan view being a minor image of the plan view shown;

FIG. 5 is a cross-sectional view of line A—A from FIG. 3; and,

FIG. 6 is a cross-sectional view of line B—B from FIG. 1.

1 Claim, 2 Drawing Sheets



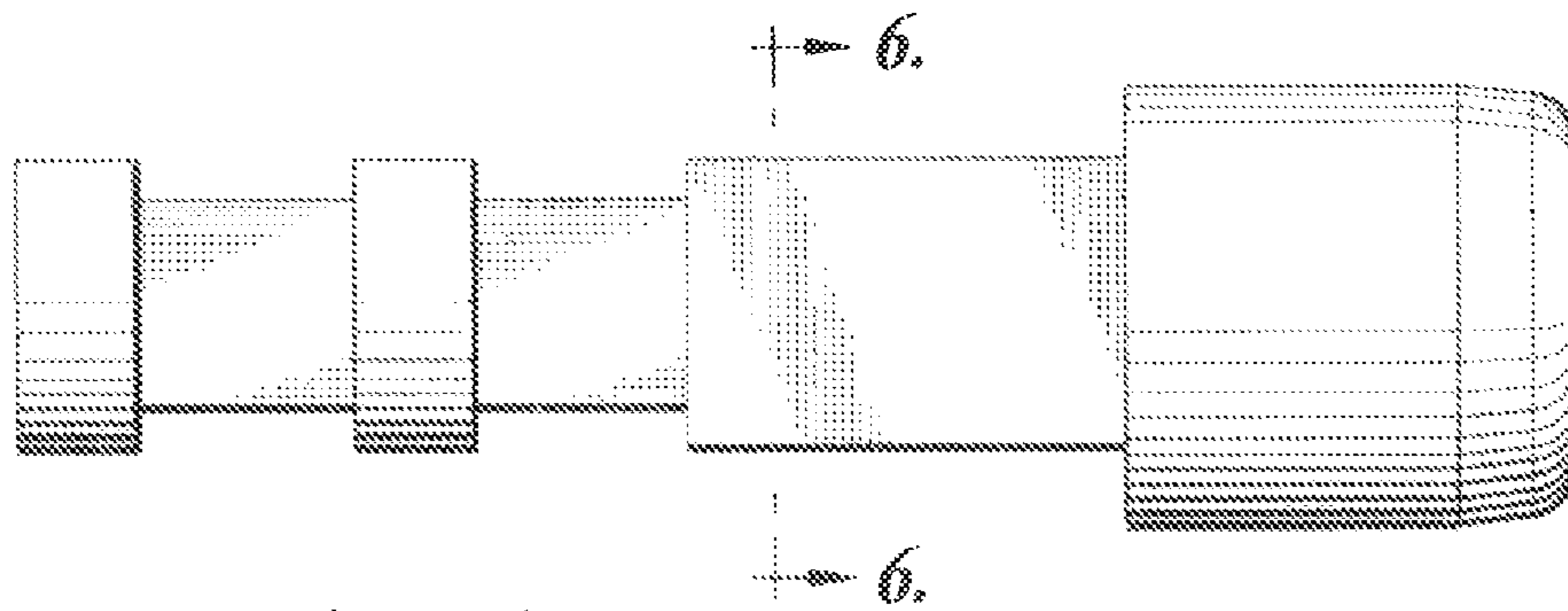


Fig. 1

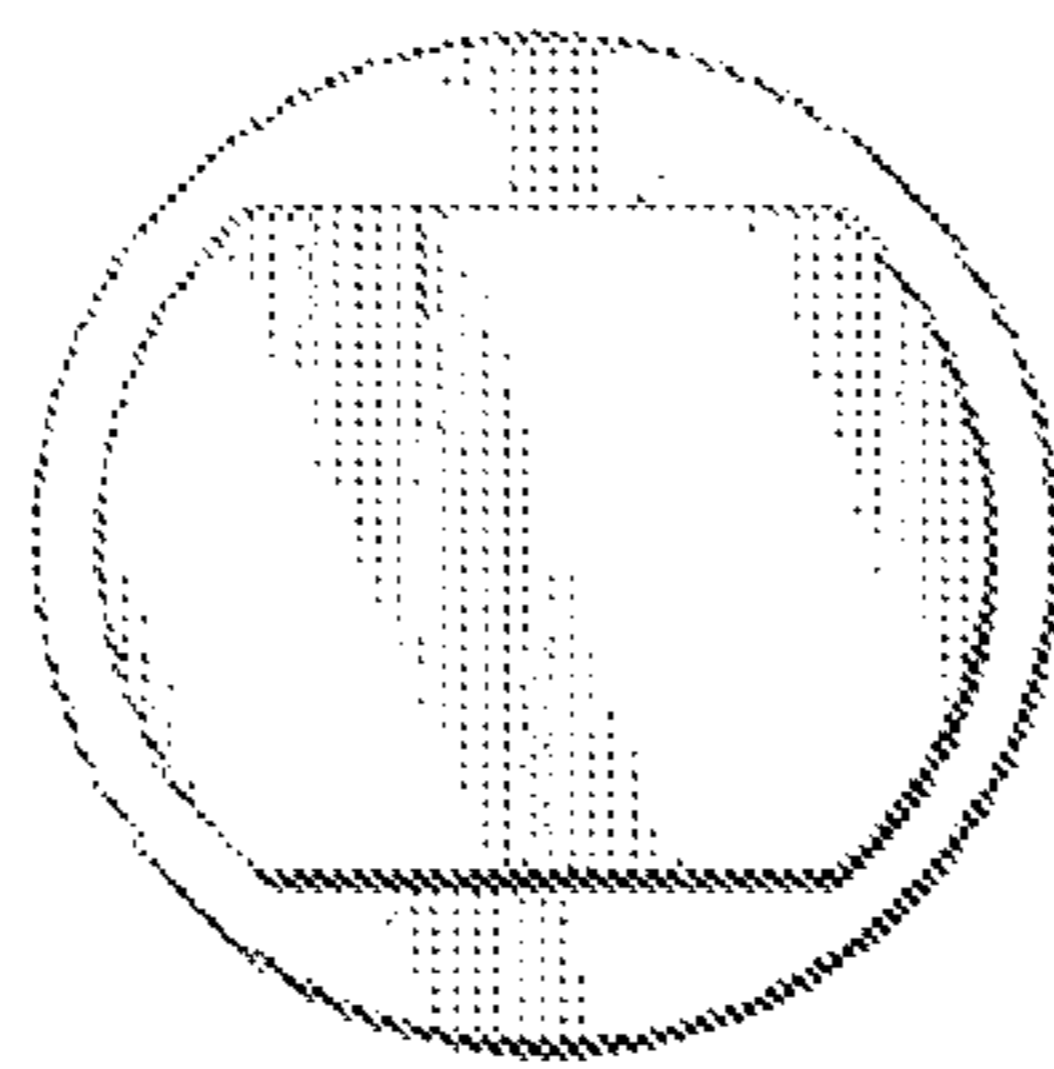


Fig. 2

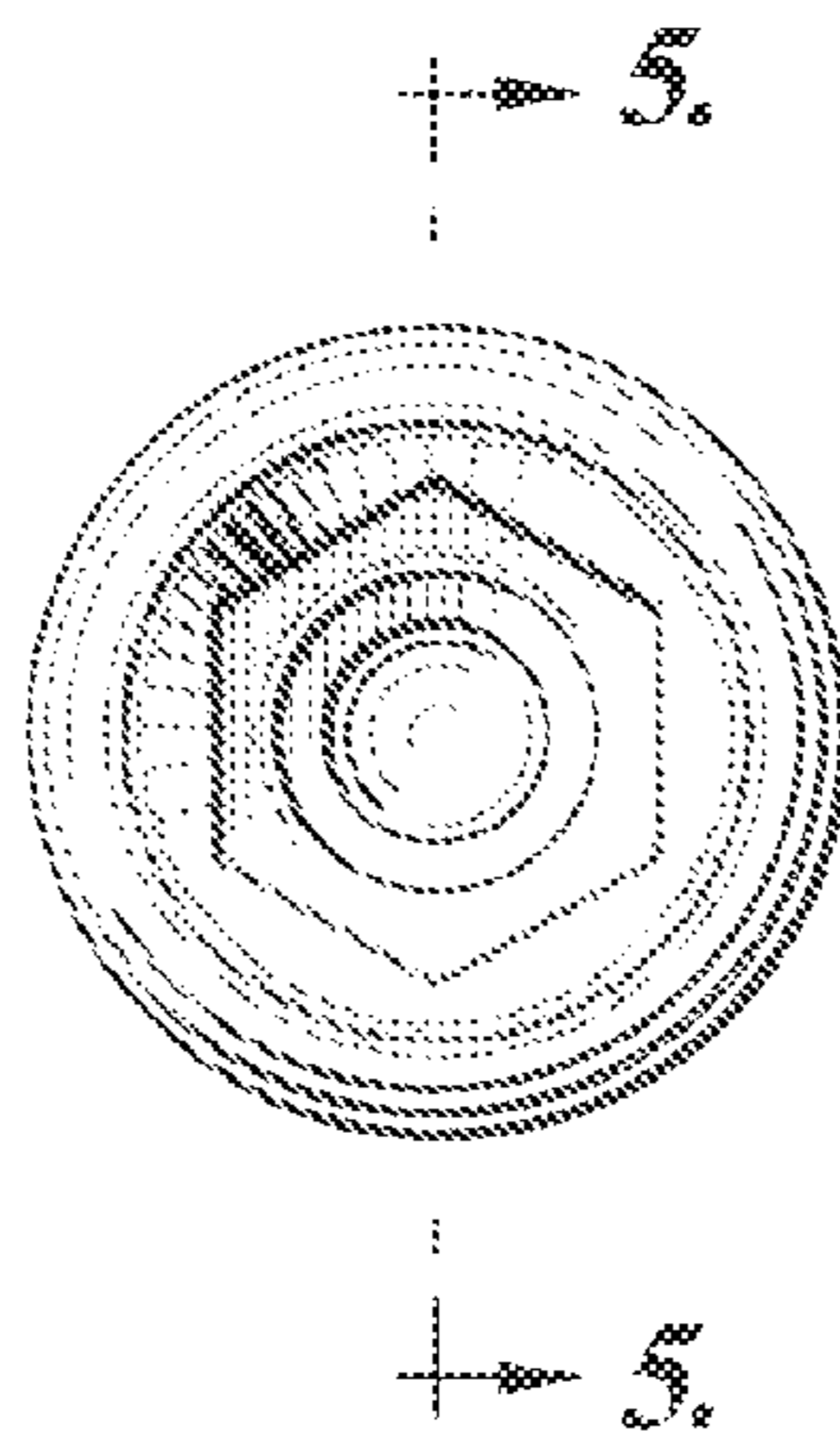


Fig. 3

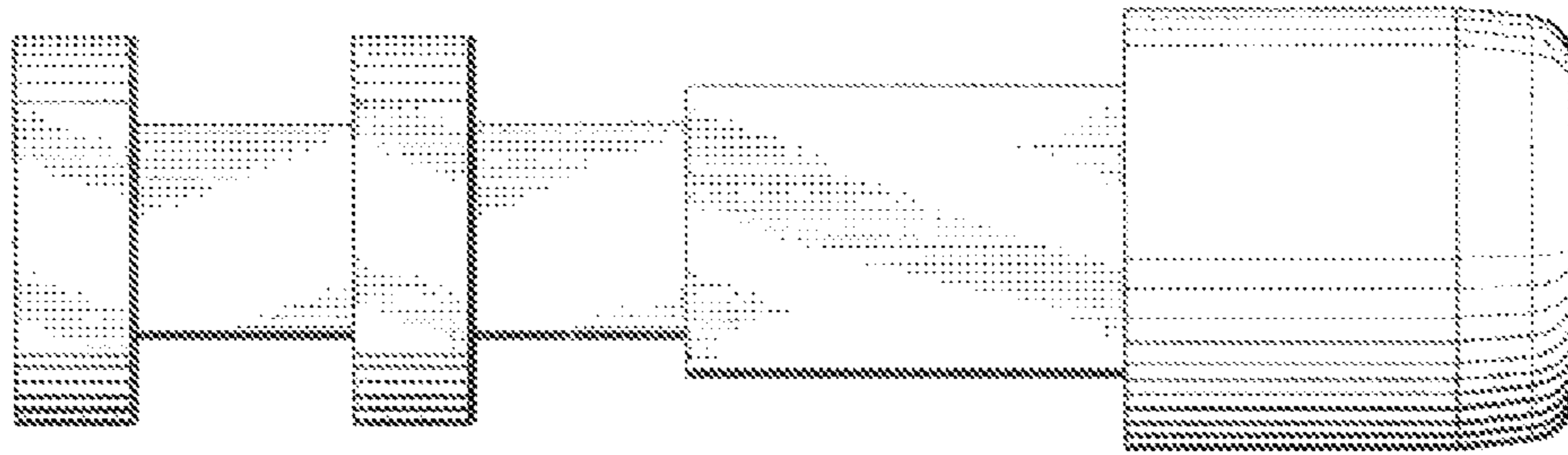


Fig. 4

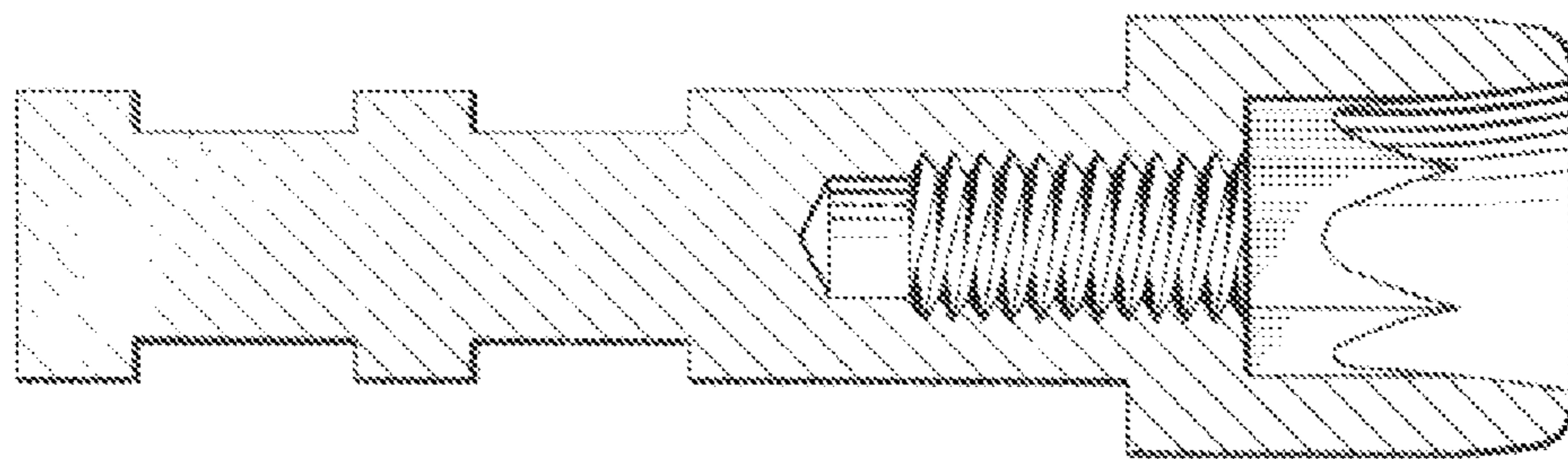


Fig. 5

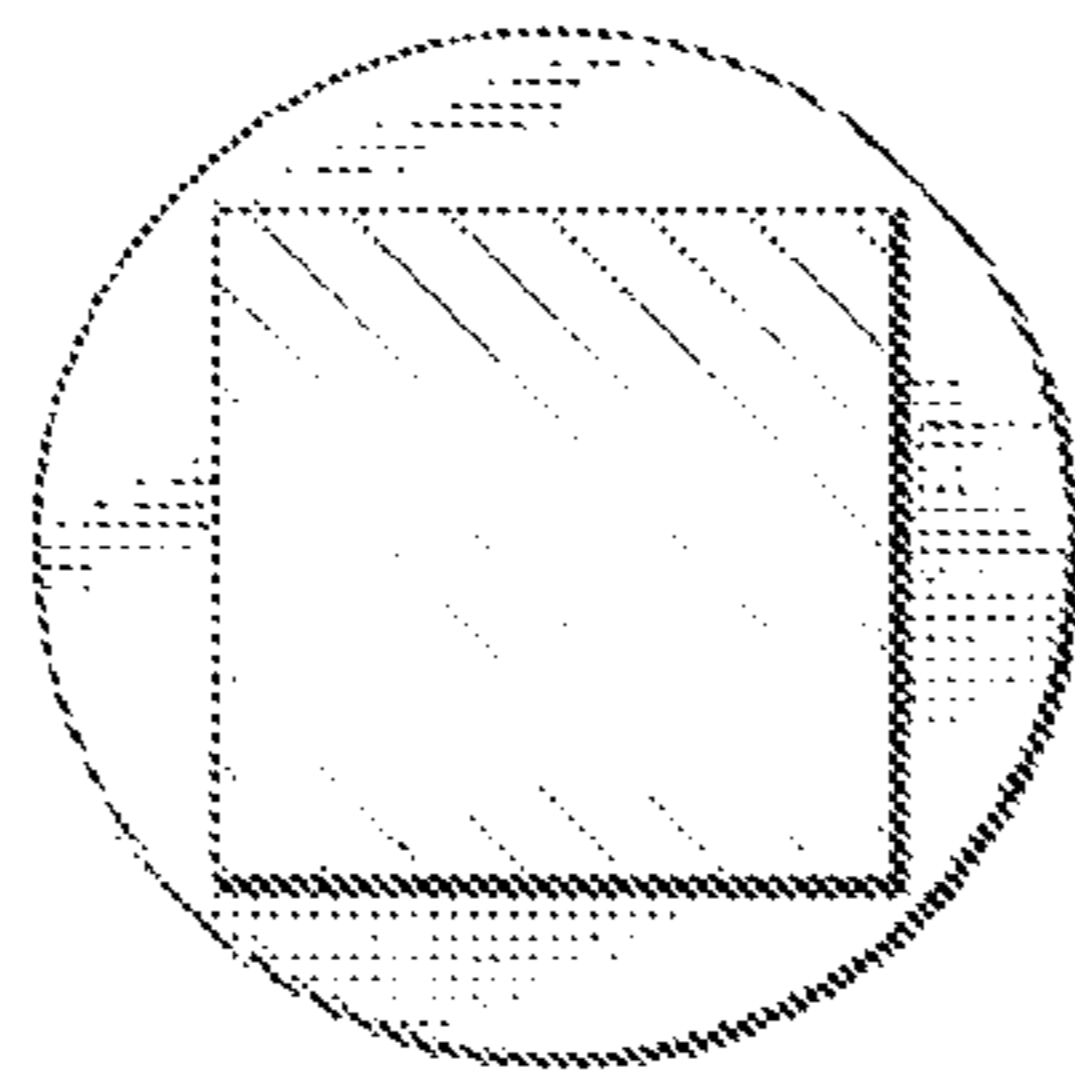


Fig. 6