



US00D616546S

(12) **United States Design Patent**  
**Vraney et al.**

(10) **Patent No.:** **US D616,546 S**

(45) **Date of Patent:** **\*\* May 25, 2010**

(54) **INTERVERTEBRAL IMPLANT**

(75) Inventors: **Robert Tod Vraney**, Evansville, IN (US); **Todd Stanaford**, Midland, TX (US); **Leonel Dominguez**, Jacksonville, FL (US)

(73) Assignee: **Verticor, Ltd.**, Midland, TX (US)

(\*\*) Term: **14 Years**

(21) Appl. No.: **29/333,227**

(22) Filed: **Mar. 4, 2009**

(51) **LOC (9) Cl.** ..... **24-03**

(52) **U.S. Cl.** ..... **D24/155**

(58) **Field of Classification Search** ..... D24/155-157;  
606/60, 61, 73, 95, 213, 246, 248, 249; 623/17.11-17.16,  
623/23.61, 23.56, 247, 213, 11.11, 16.14,  
623/20.23, 20.33, 33, 41

See application file for complete search history.

(56) **References Cited**

**U.S. PATENT DOCUMENTS**

5,766,252 A \* 6/1998 Henry et al. .... 623/17.16  
6,610,093 B1 \* 8/2003 Pisharodi ..... 623/17.15  
6,979,353 B2 \* 12/2005 Bresina ..... 623/17.11  
7,044,972 B2 \* 5/2006 Mathys et al. .... 623/17.16

7,135,043 B2 \* 11/2006 Nakahara et al. .... 623/17.11  
D533,277 S \* 12/2006 Blain ..... D24/155  
D541,940 S \* 5/2007 Blain ..... D24/155  
7,238,203 B2 \* 7/2007 Bagga et al. .... 623/17.11  
D564,095 S \* 3/2008 Blain ..... D24/155  
D594,986 S \* 6/2009 Miles et al. .... D24/155  
7,655,043 B2 \* 2/2010 Peterman et al. .... 623/17.11

\* cited by examiner

*Primary Examiner*—Charles A Rademaker

(74) *Attorney, Agent, or Firm*—Merle W. Richman, III

(57) **CLAIM**

The ornamental design for an intervertebral implant, as shown and described.

**DESCRIPTION**

FIG. 1 is a perspective view of the intervertebral implant showing our new design;

FIG. 2 is a right side view thereof;

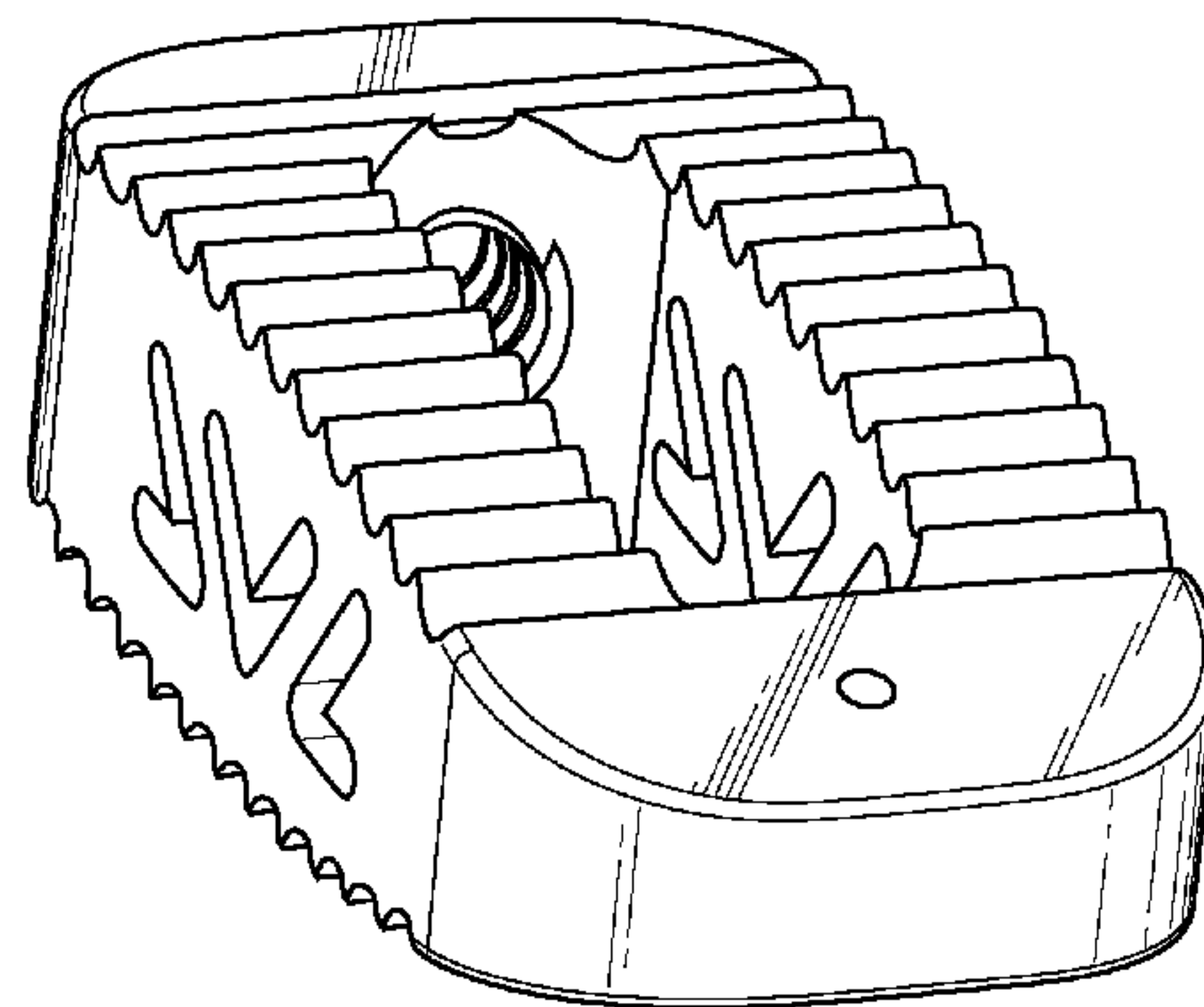
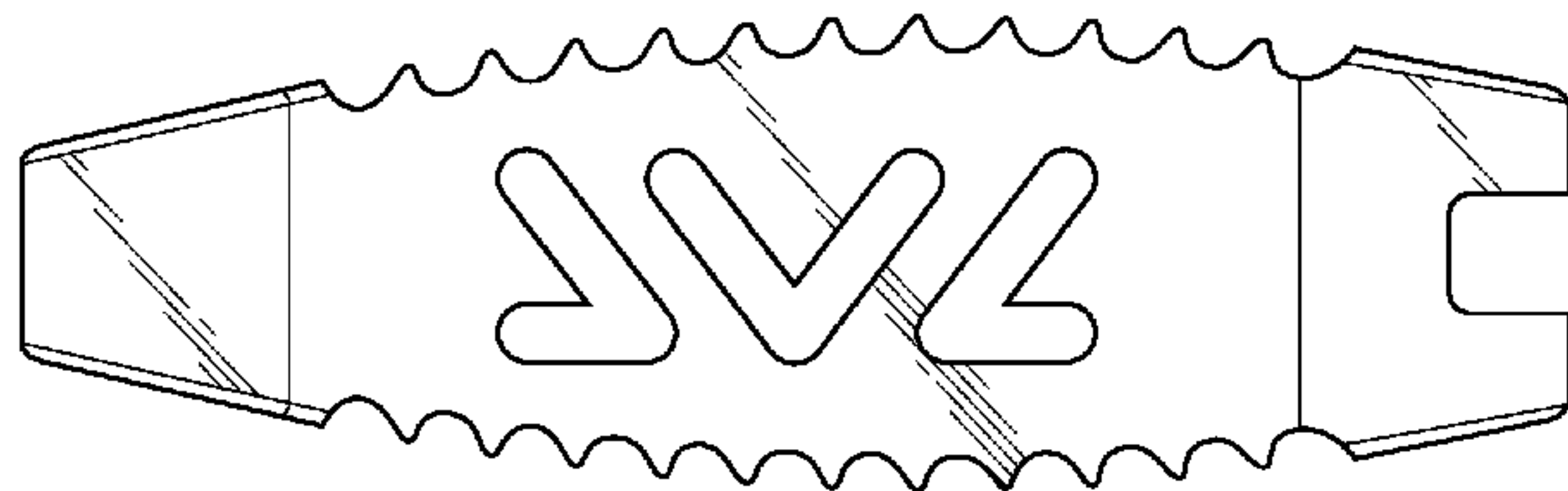
FIG. 3 is a left side view thereof;

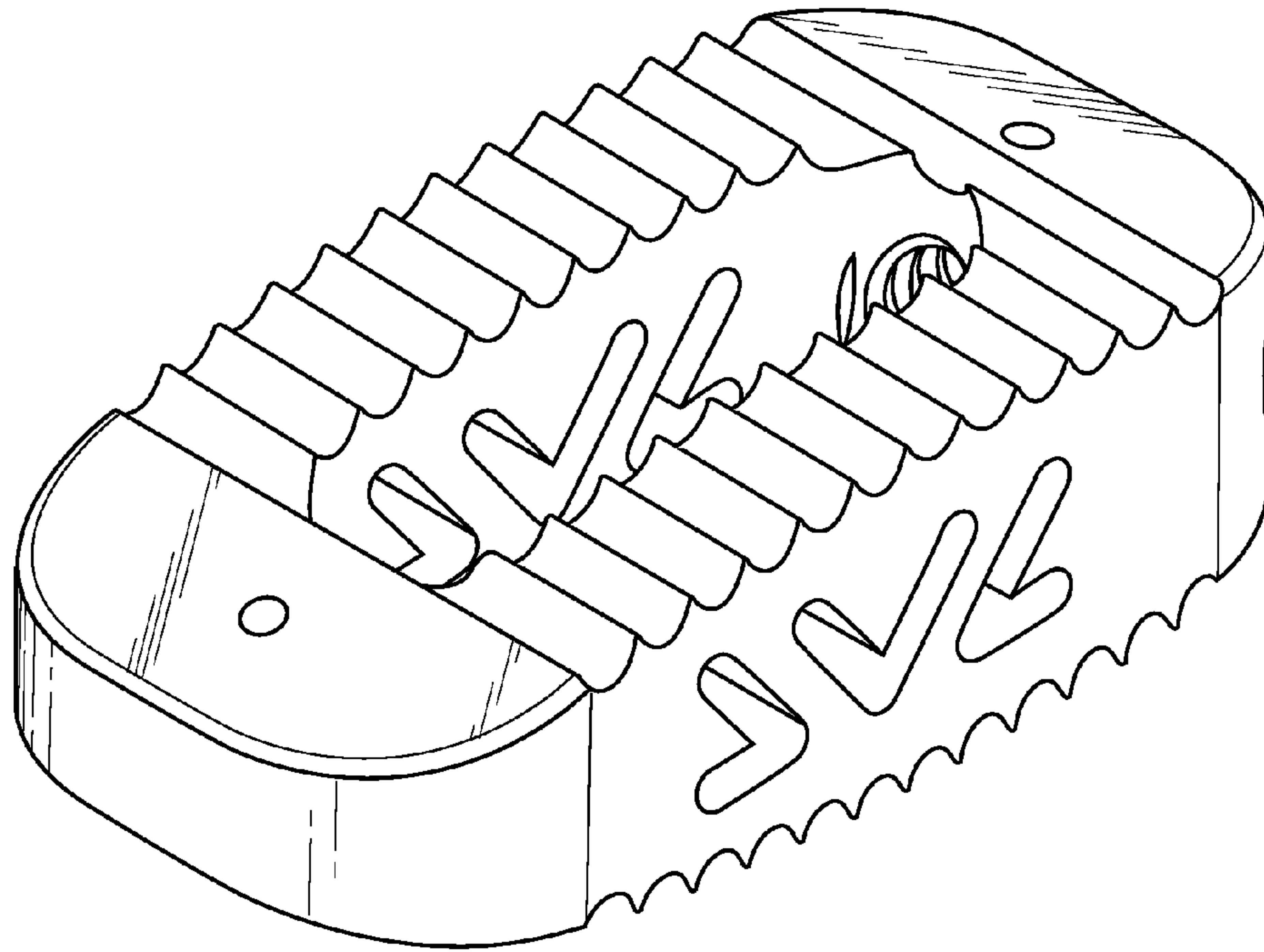
FIG. 4 is a top view thereof;

FIG. 5 is a back view thereof; and,

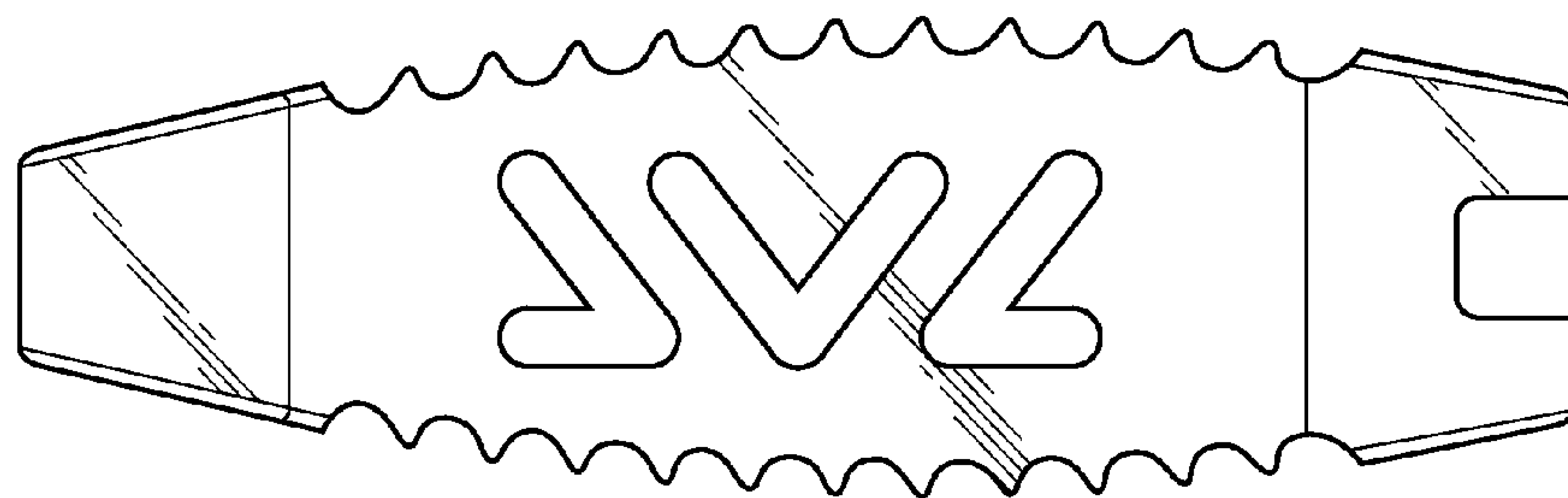
FIG. 6 is a front perspective view thereof.

**1 Claim, 3 Drawing Sheets**

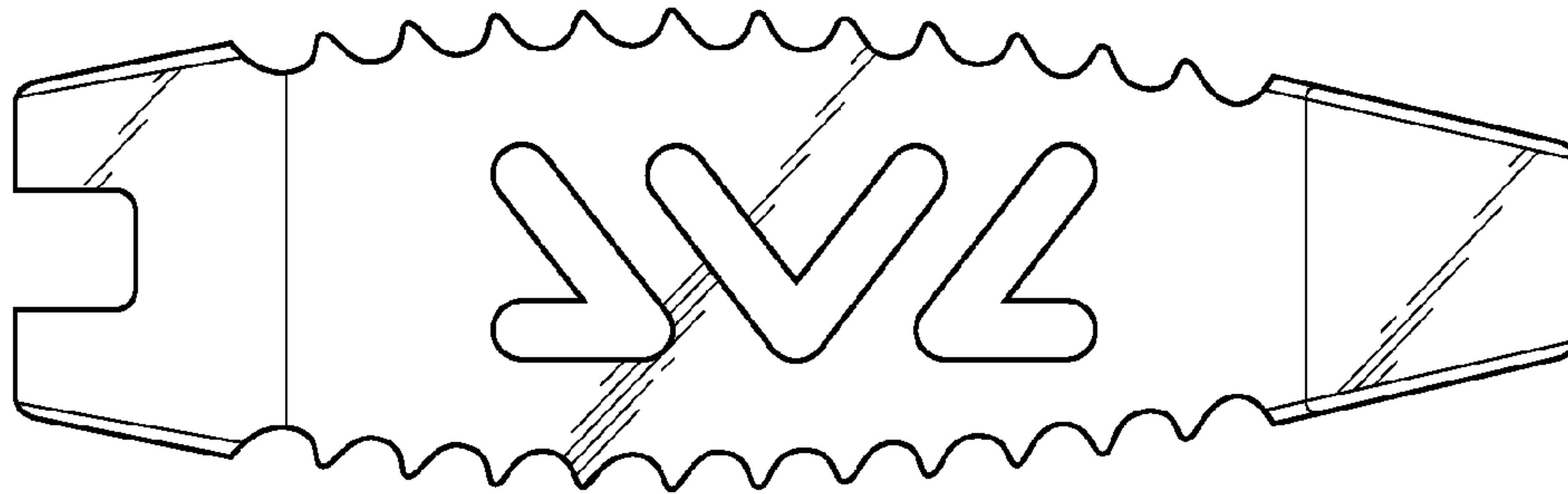




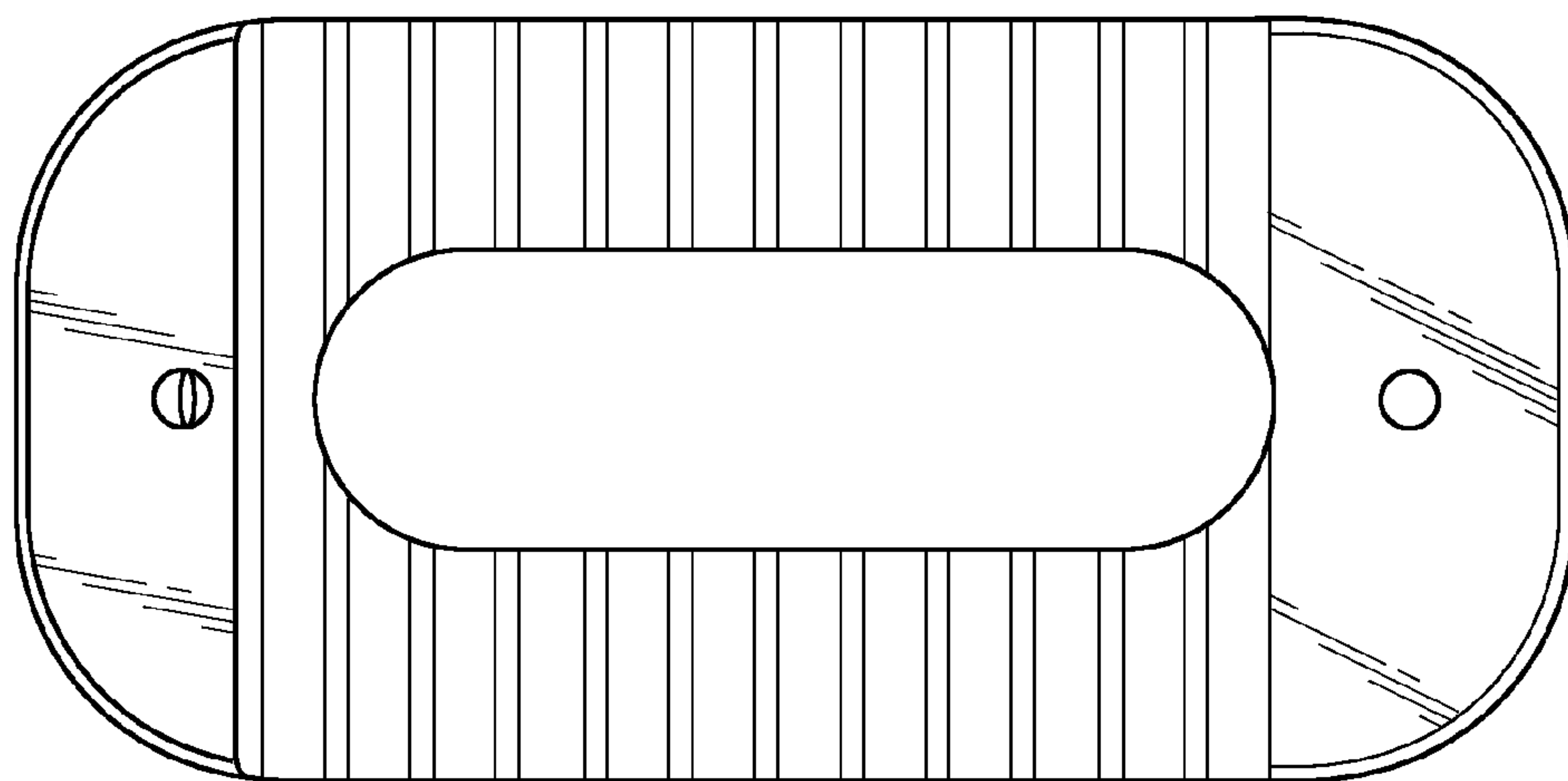
**Fig. 1**



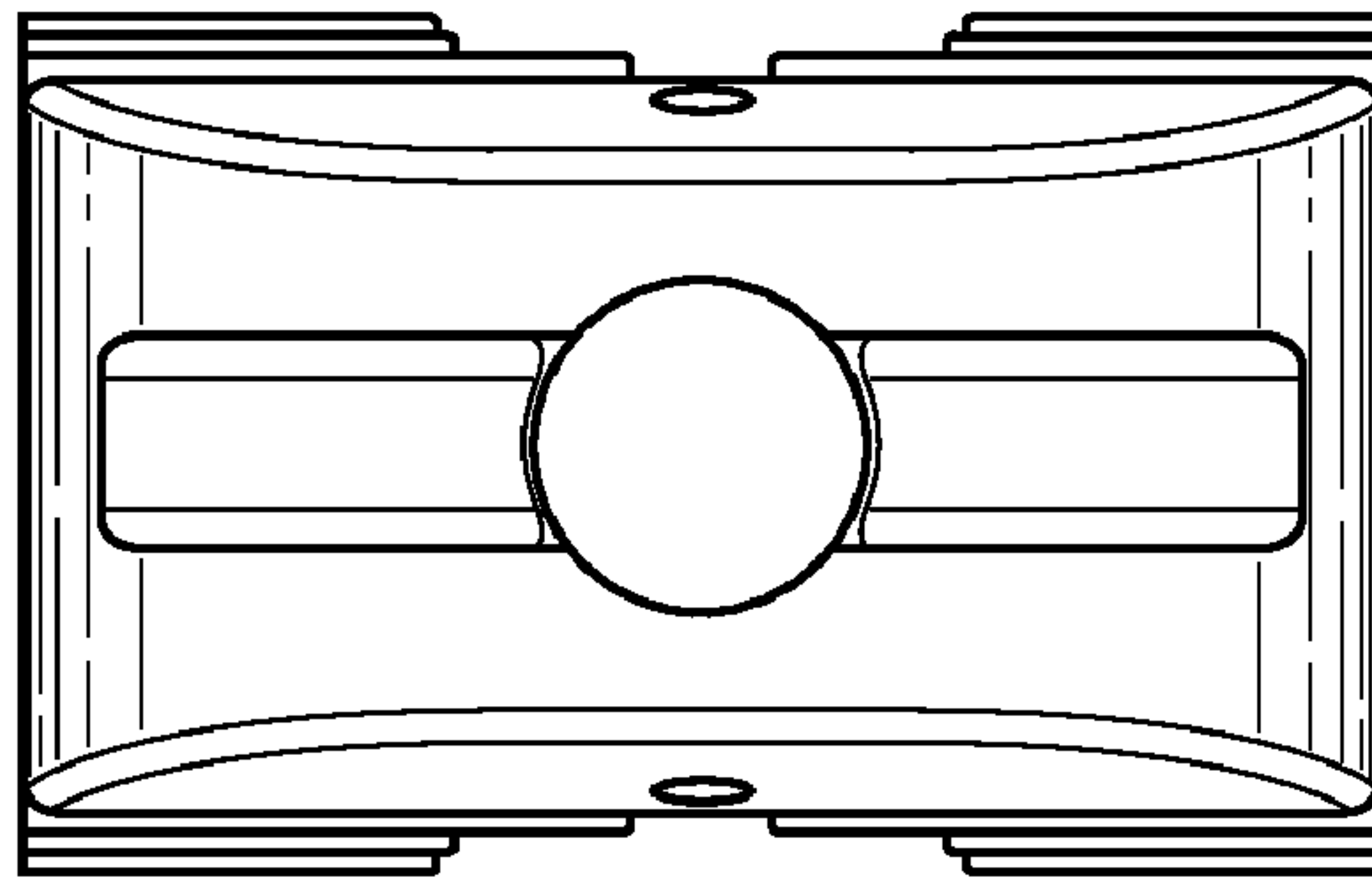
**Fig. 2**



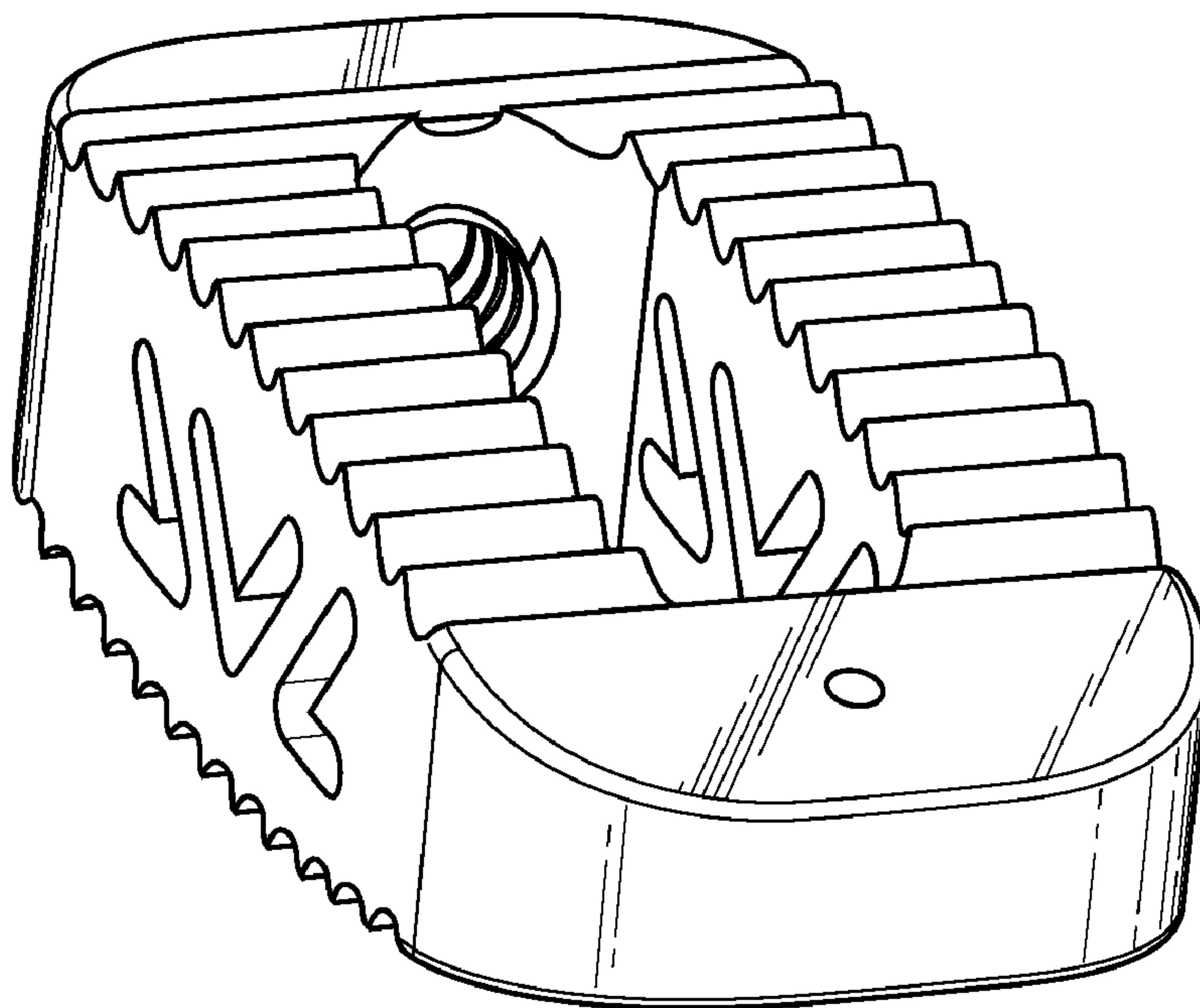
**Fig. 3**



**Fig. 4**



**Fig. 5**



**Fig. 6**