



US00D616544S

(12) **United States Design Patent**
Chesnin

(10) **Patent No.:** **US D616,544 S**
(45) **Date of Patent:** **** May 25, 2010**

(54) **DILATOR HUB**

(75) Inventor: **Kenneth J. Chesnin**, Philadelphia, PA
(US)

(73) Assignee: **Medical Components, Inc.**,
Harleysville, PA (US)

(**) Term: **14 Years**

(21) Appl. No.: **29/339,673**

(22) Filed: **Jul. 6, 2009**

(51) **LOC (9) Cl.** **24-02**

(52) **U.S. Cl.** **D24/130**

(58) **Field of Classification Search** D24/112,
D24/130; 604/164.01, 164.05, 165.3, 167,
604/160, 161, 523, 264, 167.02, 272, 533,
604/525, 905, 912, 177, 83, 921, 539

See application file for complete search history.

(56) **References Cited**

U.S. PATENT DOCUMENTS

4,772,266	A *	9/1988	Groshong	604/164.05
5,334,157	A *	8/1994	Klein et al.	604/160
D352,108	S *	11/1994	Mohiuddin	D24/112
D353,454	S *	12/1994	Coombs	D24/112
D378,130	S *	2/1997	Schmidt	D24/129
7,001,396	B2 *	2/2006	Glazier et al.	606/108
D607,100	S *	12/2009	Uchida et al.	D24/130
2006/0149293	A1 *	7/2006	King et al.	606/108
2007/0060889	A1 *	3/2007	Adams	604/164.01
2009/0192463	A1 *	7/2009	Nardeo et al.	604/164.01
2009/0234290	A1 *	9/2009	Fisher et al.	604/164.05

2009/0318867 A1* 12/2009 Amisar et al. 604/164.05

OTHER PUBLICATIONS

www.vygonusa.com/nutriline-pur.htm; Vygon Corporation—Neonatal and Pediatric Special Care Products; Oct. 12, 2009.

* cited by examiner

Primary Examiner—T. Chase Nelson

Assistant Examiner—Eric L Goodman

(74) *Attorney, Agent, or Firm*—BlankRome LLP

(57) **CLAIM**

The ornamental design for a dilator hub, as shown and described.

DESCRIPTION

FIG. 1 is a perspective view of the present invention dilator hub, showing the present invention in a dilator embodiment together with a vascular introducer sheath;

FIG. 2 is another perspective view of the dilator hub, showing the present invention in a needle embodiment;

FIG. 3 is a bottom view of the dilator hub;

FIG. 4 is a top view of the dilator hub;

FIG. 5 is a front view of the dilator hub;

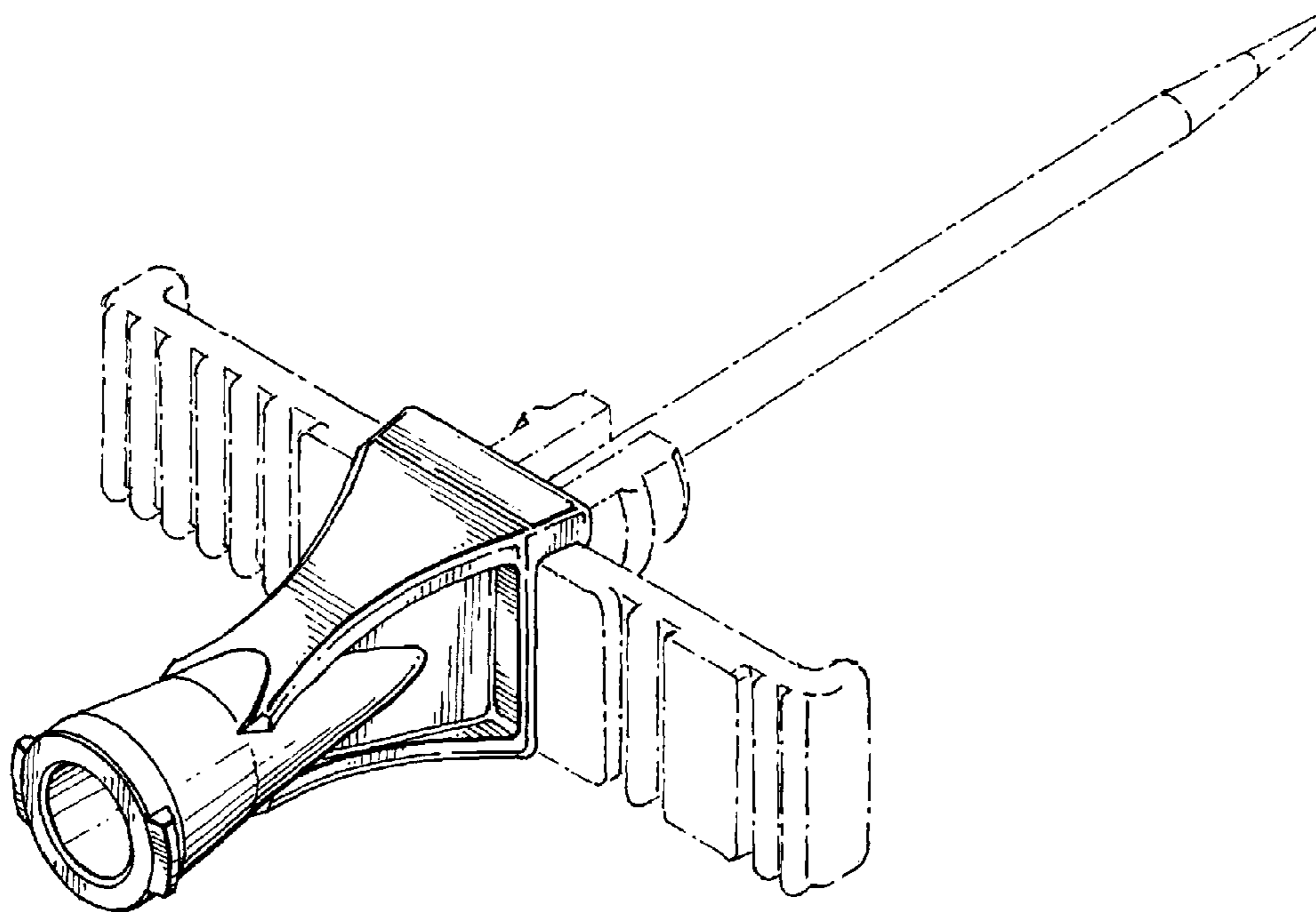
FIG. 6 is a back view of the dilator hub;

FIG. 7 is a side view of the dilator hub; and,

FIG. 8 is a cross-sectional view taken along line 8—8 of FIG. 7.

The broken lines shown in the drawings are for the purposes of illustrating portions of the dilator hub, and form no part of the claim.

1 Claim, 3 Drawing Sheets



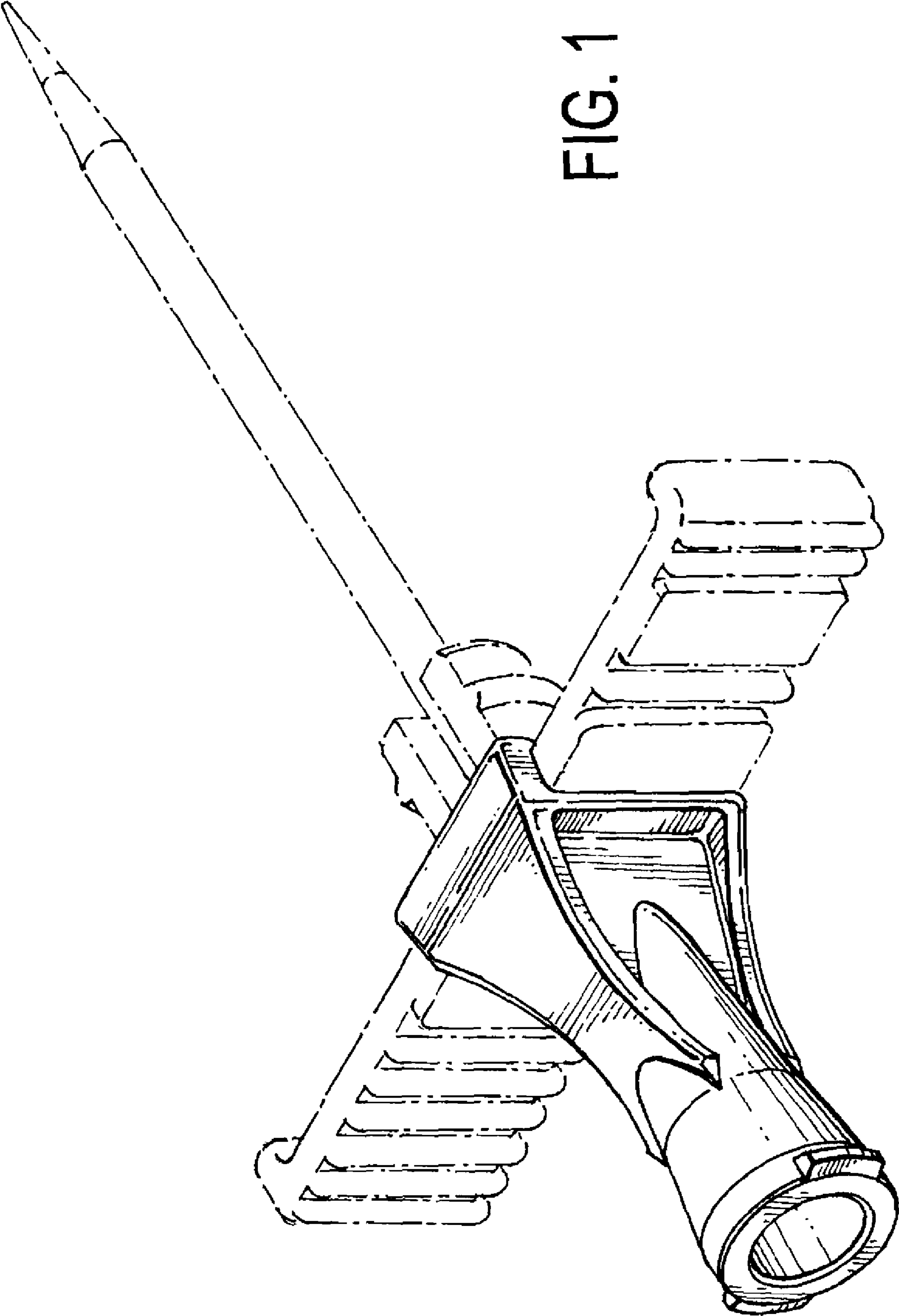


FIG. 1

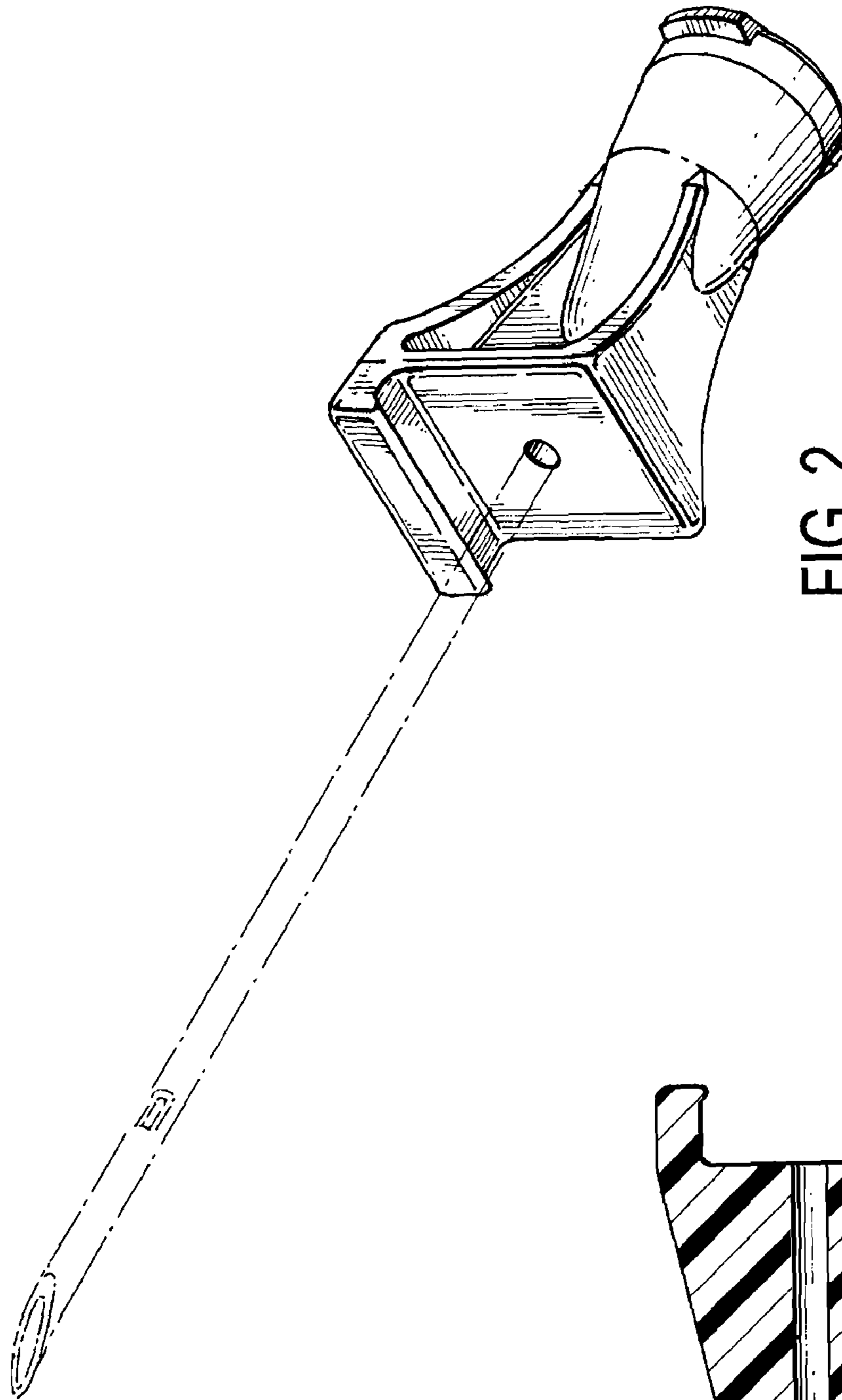
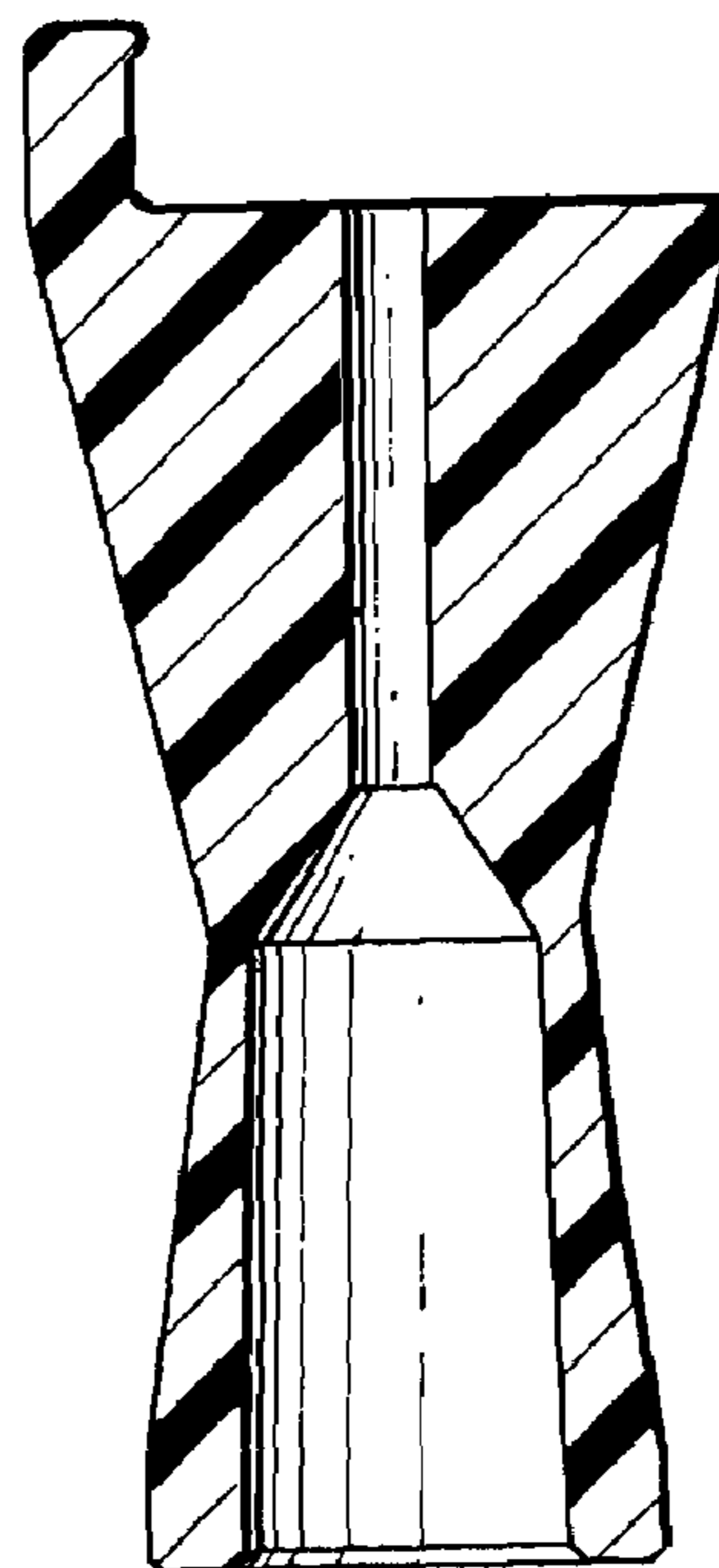


FIG. 2

FIG. 8



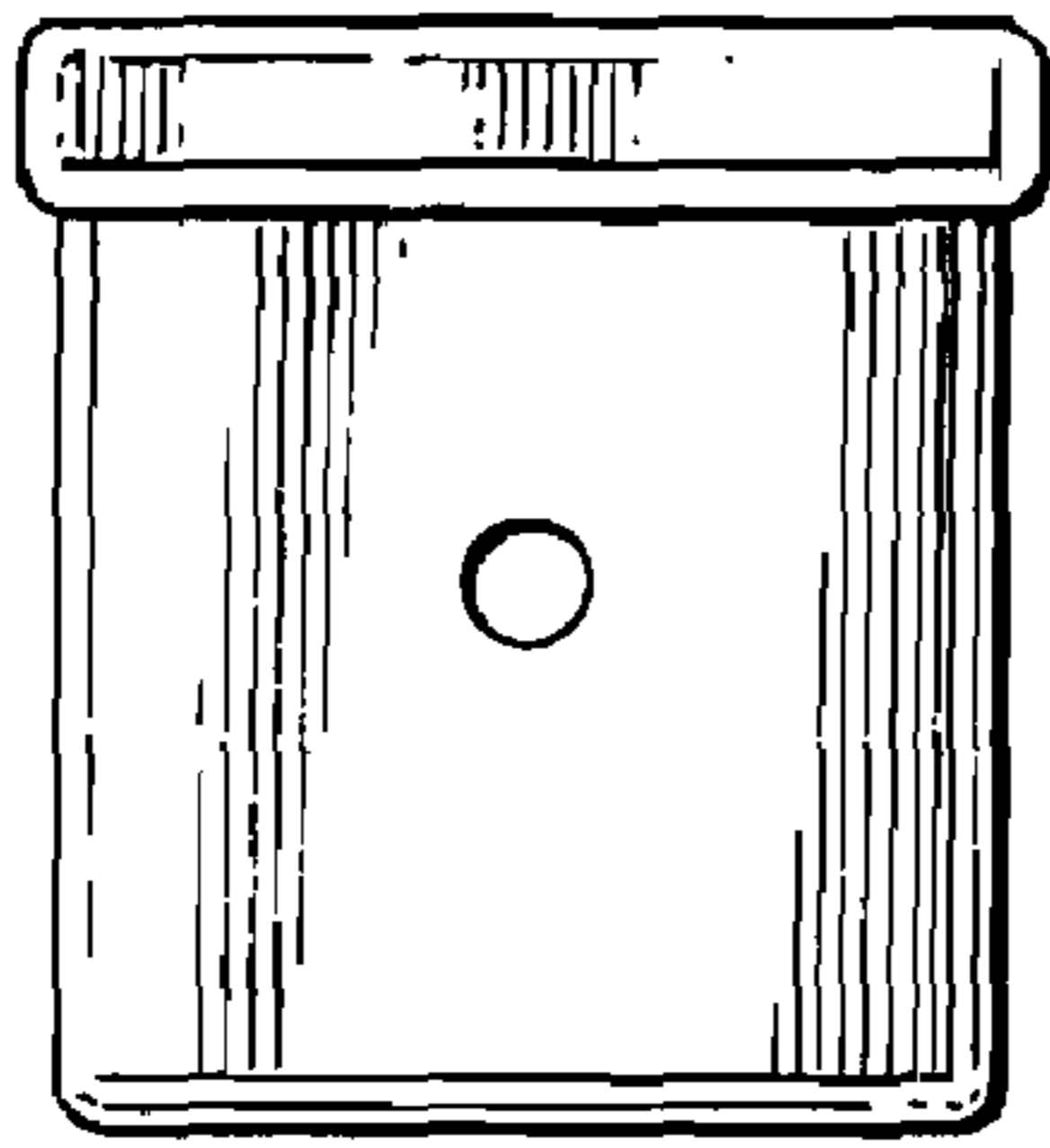


FIG. 3

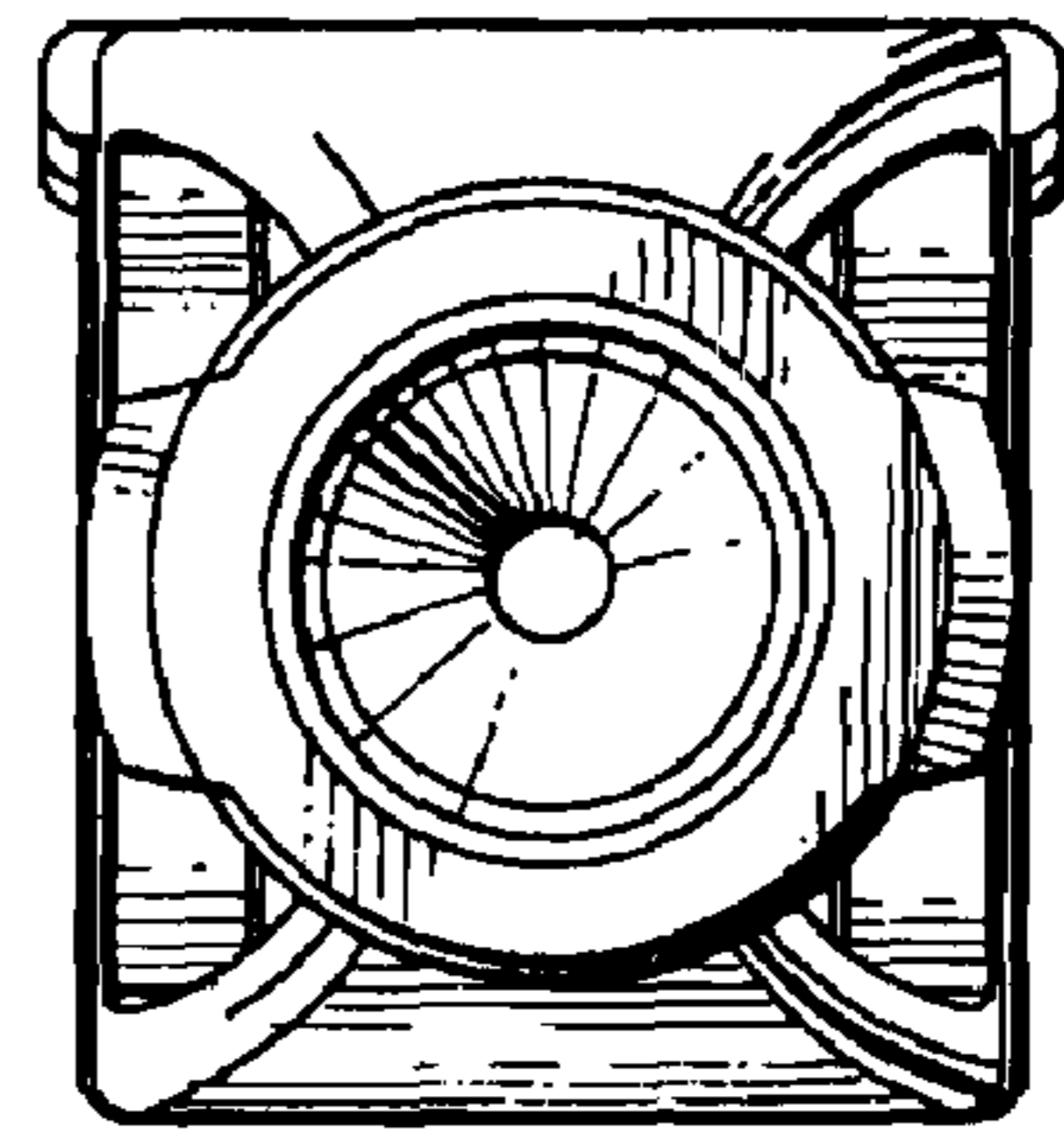


FIG. 4

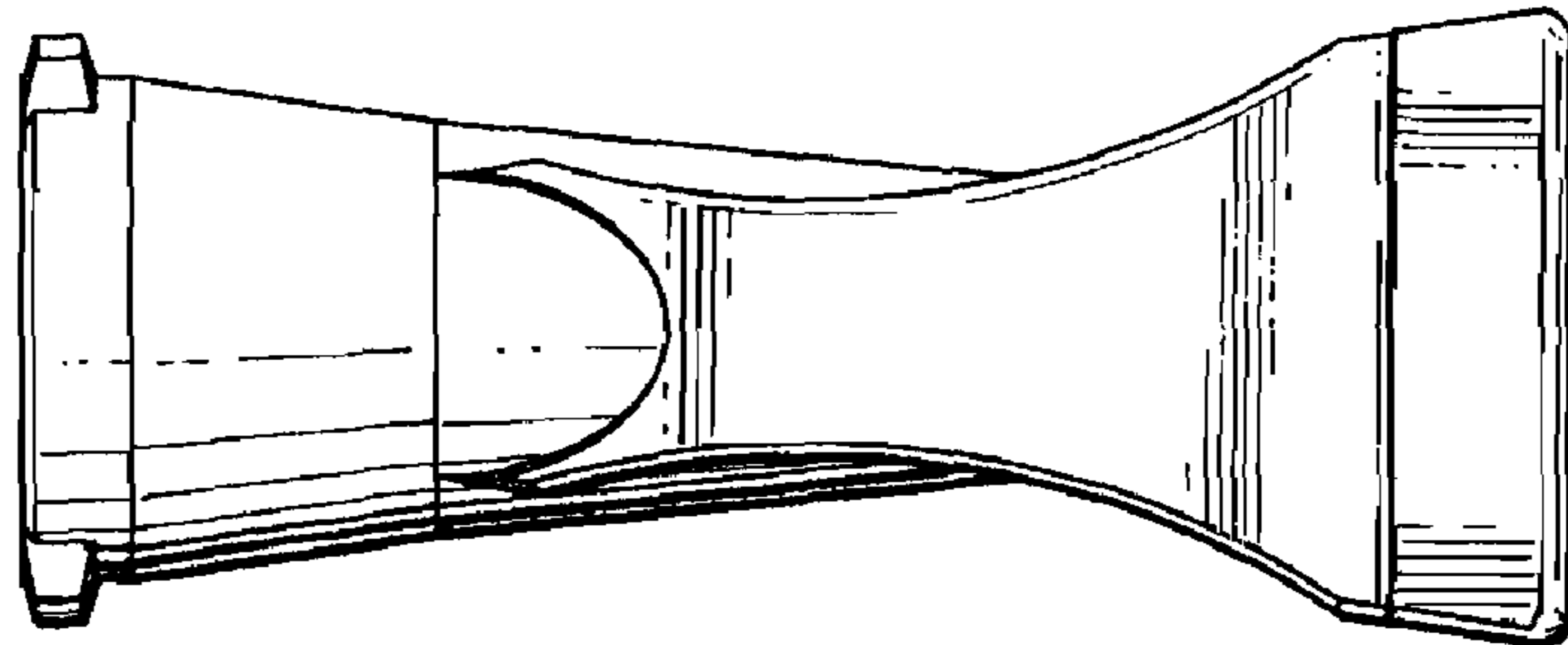


FIG. 5

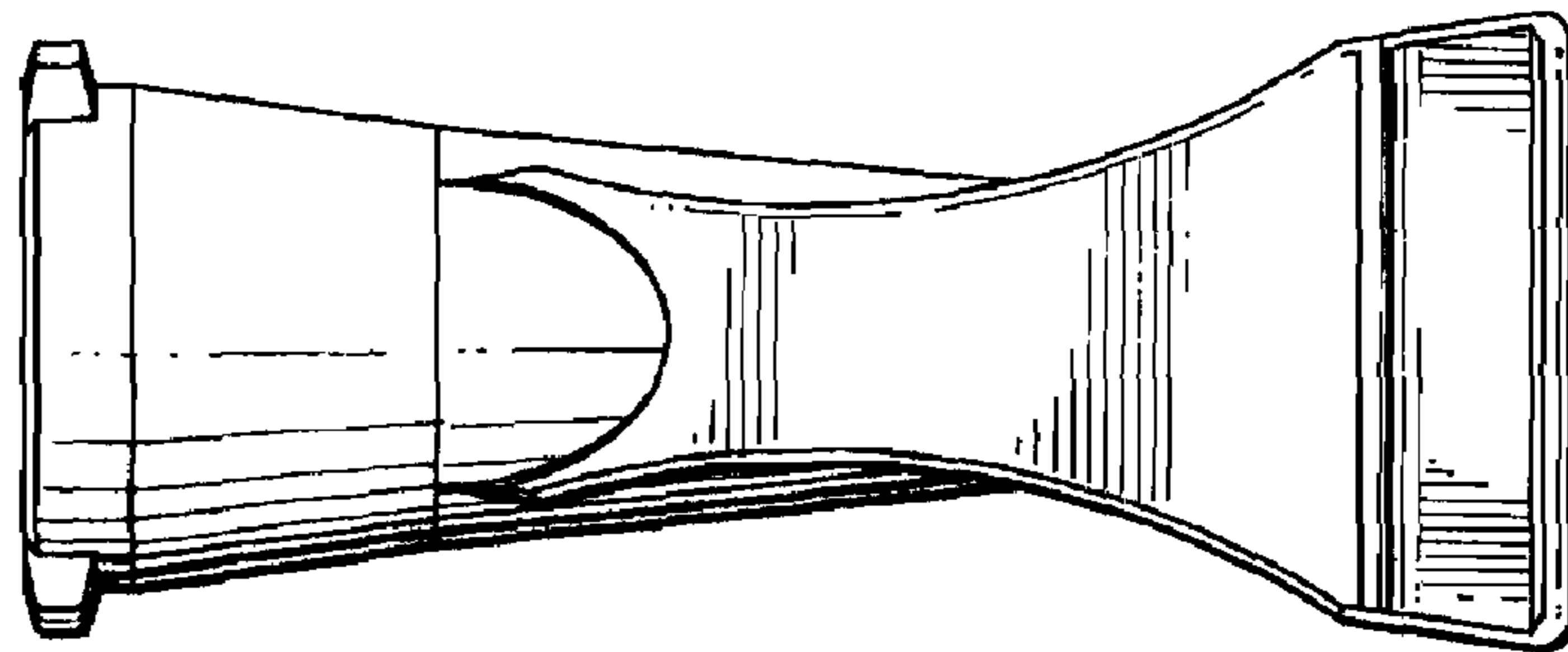


FIG. 6

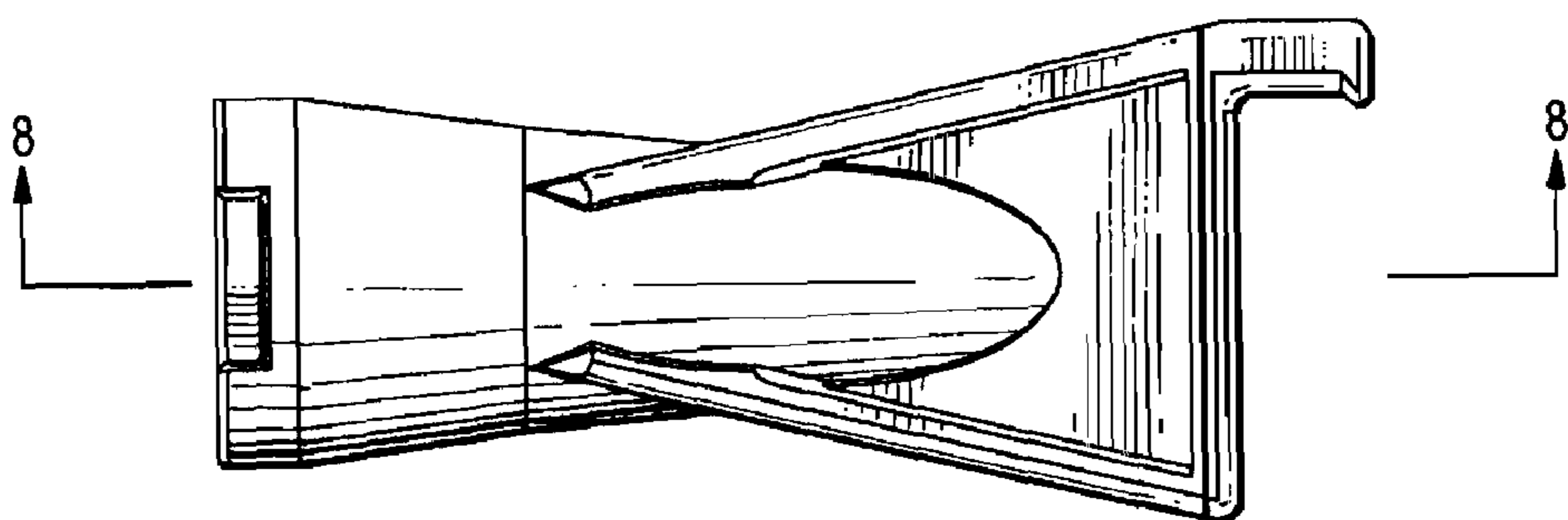


FIG. 7