



US00D616543S

(12) **United States Design Patent**
Bak-Boyчук et al.

(10) **Patent No.:** **US D616,543 S**

(45) **Date of Patent:** **** May 25, 2010**

(54) **IN-LINE BLOOD SAMPLING ACCESSORY**

(75) Inventors: **Greg Bak-Boyчук**, Laguna Niguel, CA (US); **Mark Wright**, Carlsbad, CA (US); **John Liu**, Corona, CA (US); **Carlyn Solomon**, San Clemente, CA (US)

(73) Assignee: **Edwards Lifesciences Corporation**, Irvine, CA (US)

(**) Term: **14 Years**

(21) Appl. No.: **29/323,761**

(22) Filed: **Aug. 29, 2008**

(51) **LOC (9) Cl.** **24-02**

(52) **U.S. Cl.** **D24/129**

(58) **Field of Classification Search** D24/107, D24/108, 111, 112, 113, 127, 129, 130, 133, D24/155; 137/625.41; 251/310; 285/26; 600/563, 573; 601/152; 604/41, 80, 83, 604/93.01, 164.01, 167.05, 173, 246, 247, 604/248, 257, 284, 407, 523

See application file for complete search history.

(56) **References Cited**

U.S. PATENT DOCUMENTS

4,014,328 A * 3/1977 Cluff et al. 600/573
D354,559 S * 1/1995 Knute et al. D24/108
D363,542 S * 10/1995 Parris et al. D24/129
5,772,607 A * 6/1998 Magram 600/573
D506,256 S * 6/2005 Miyoshi et al. D24/129

D526,409 S * 8/2006 Nielsen et al. D24/108
D538,929 S * 3/2007 Chuang D24/112
D570,475 S * 6/2008 Mosler D24/129
D577,820 S * 9/2008 Mosler et al. D24/129
D578,214 S * 10/2008 Mosler D24/129
D581,526 S * 11/2008 Baxter et al. D24/129
D585,985 S * 2/2009 Aaberg et al. D24/129
7,578,205 B2 * 8/2009 Belongia 73/863.11

* cited by examiner

Primary Examiner—Elizabeth A Albert

Assistant Examiner—Karen E Eldridge Powers

(74) *Attorney, Agent, or Firm*—Gregory J. Carlin

(57) **CLAIM**

The ornamental design for an in-line blood sampling accessory, substantially as shown and described.

DESCRIPTION

FIG. 1 is a perspective view of an in-line blood sampling accessory;

FIG. 2 is a right side view taken from FIG. 1, the left side view being the same;

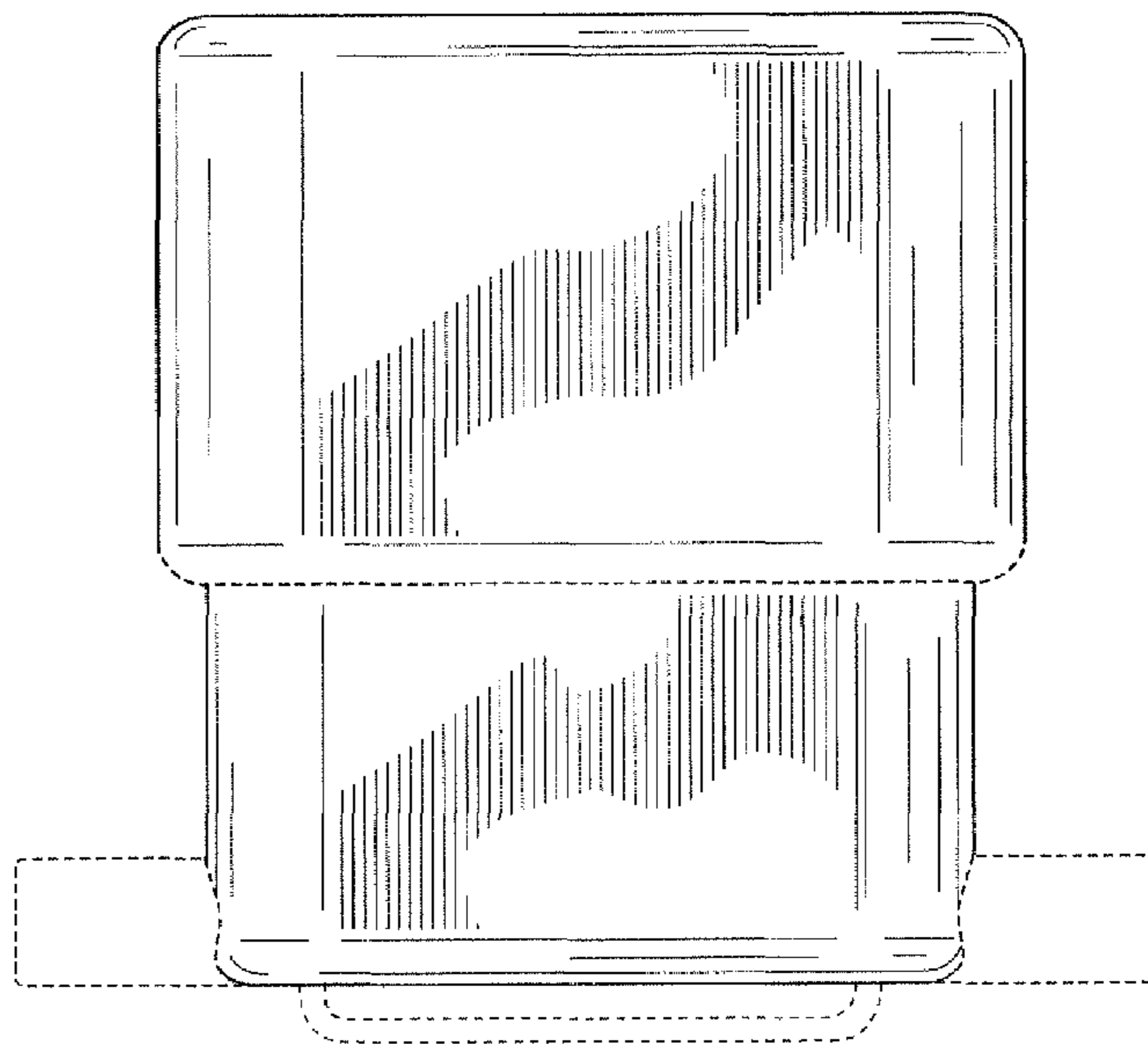
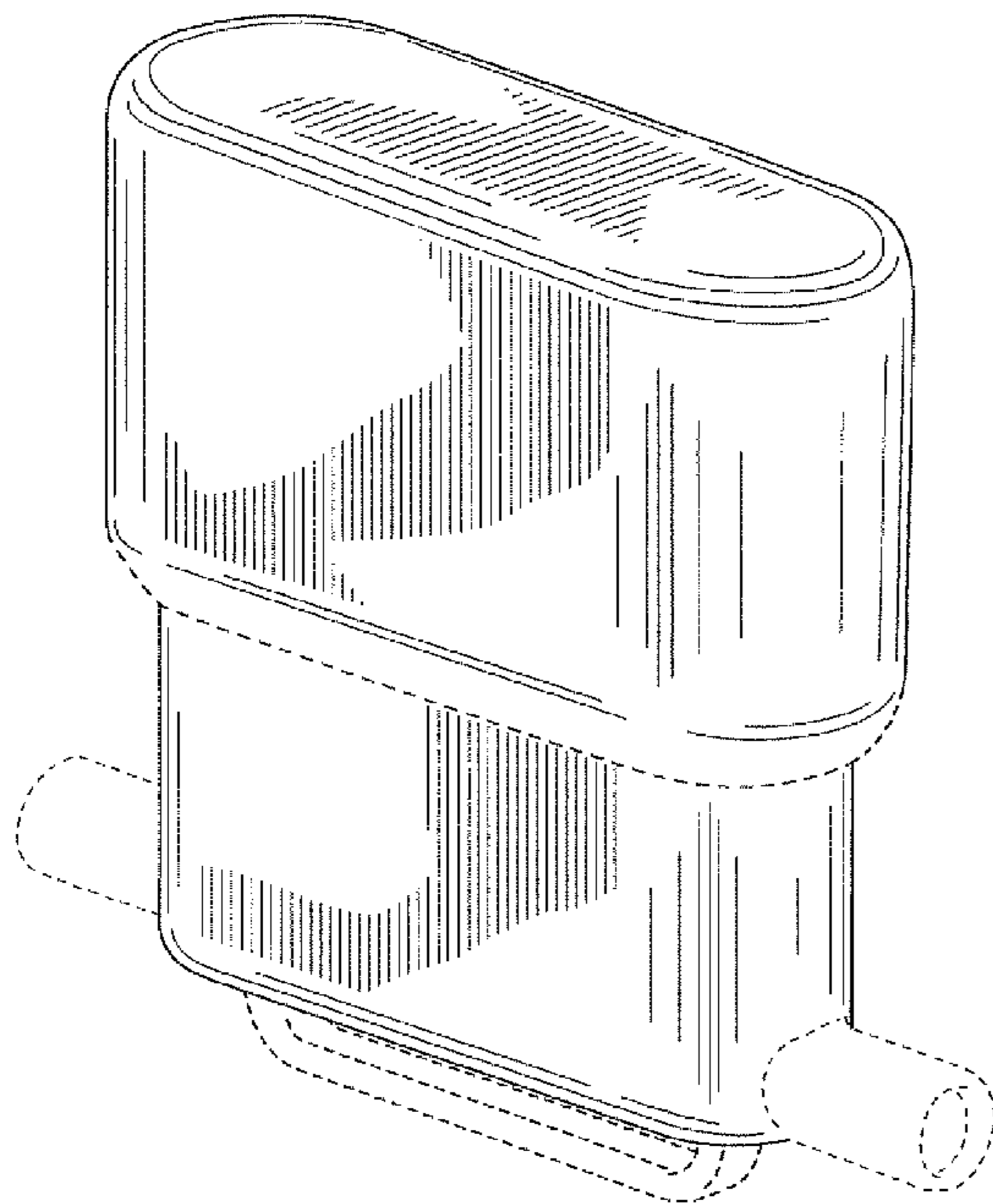
FIG. 3 is a front view taken from FIG. 1, the rear view being the same;

FIG. 4 is a top view taken from FIG. 1; and,

FIG. 5 is a bottom view taken from FIG. 1.

The broken lines which define the bounds of the claimed design form no part thereof.

1 Claim, 4 Drawing Sheets



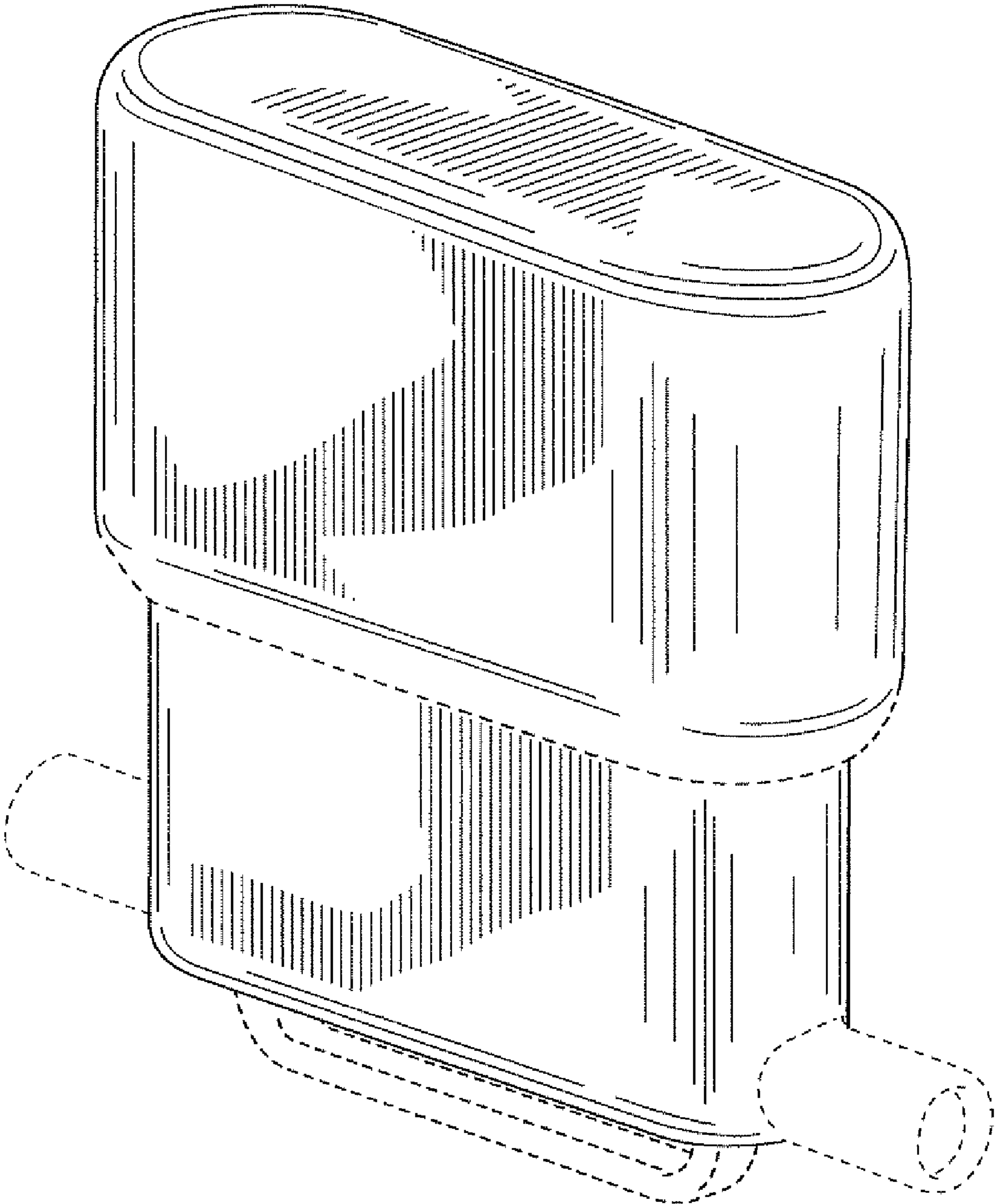


FIG. 1

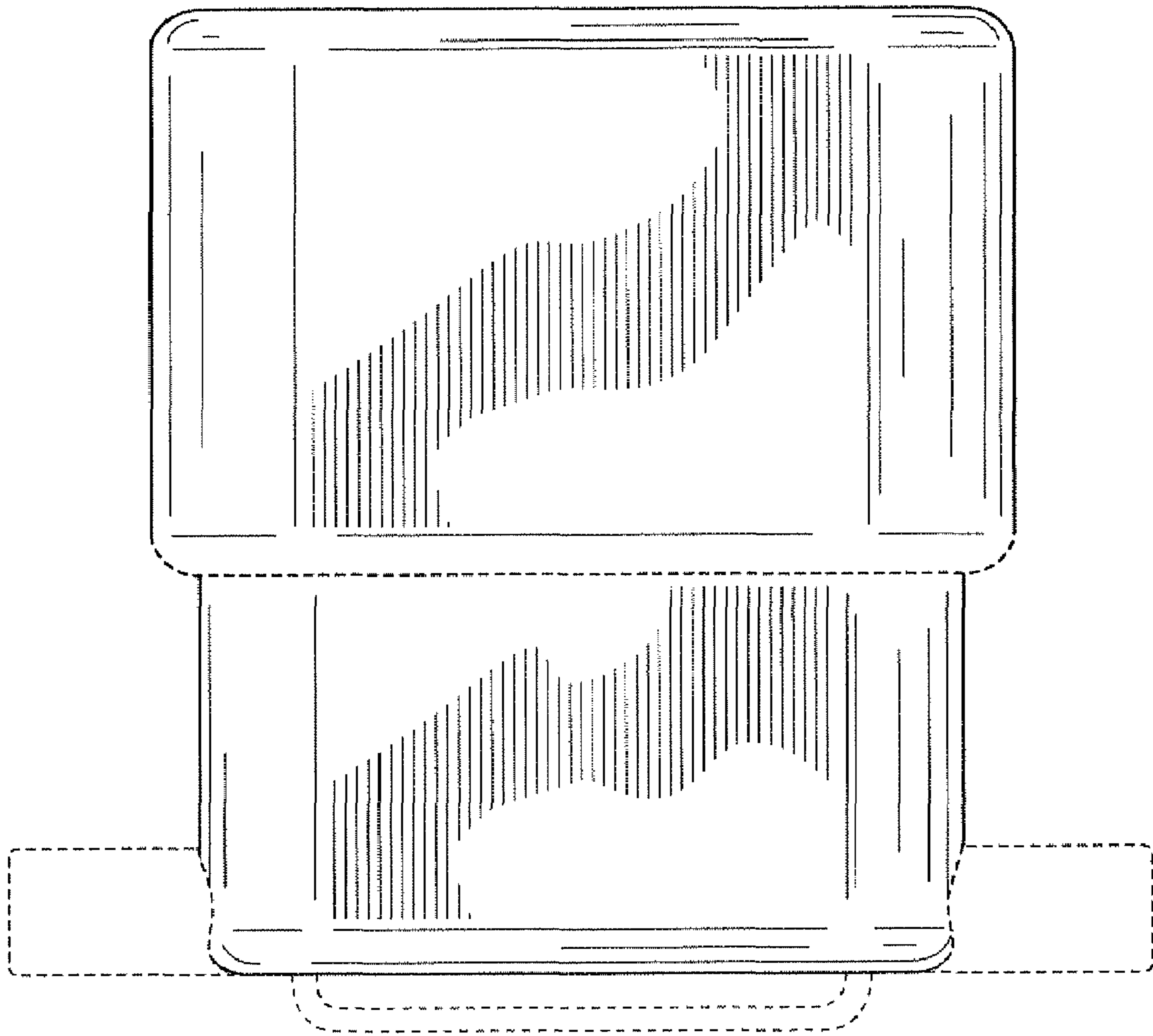


FIG. 2

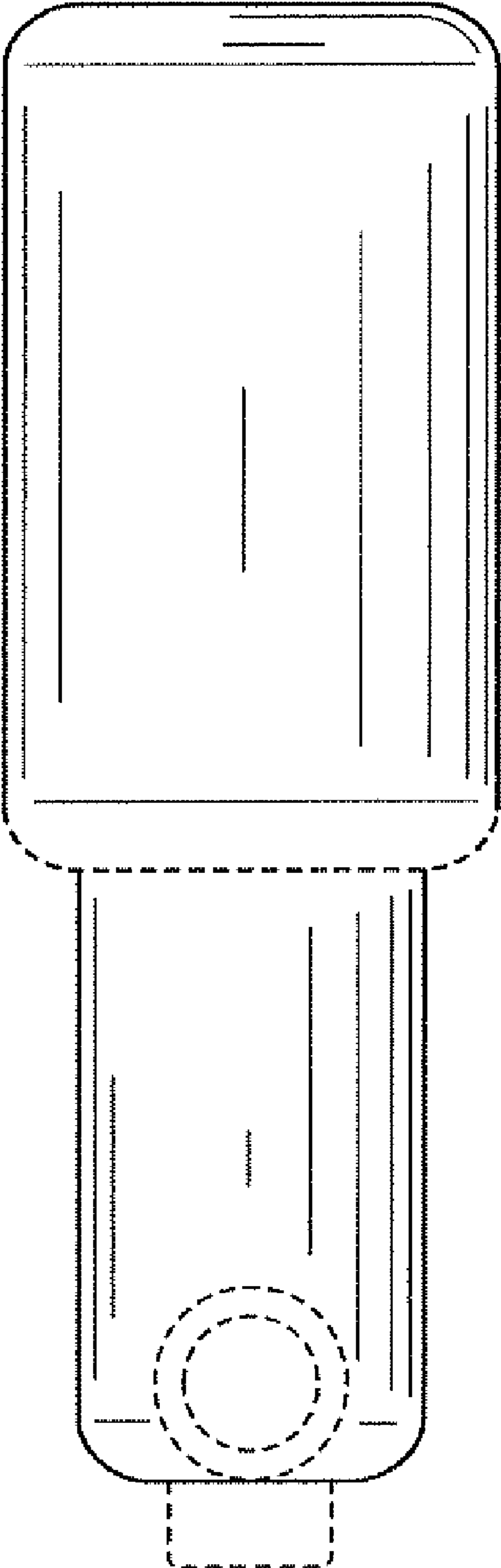


FIG. 3

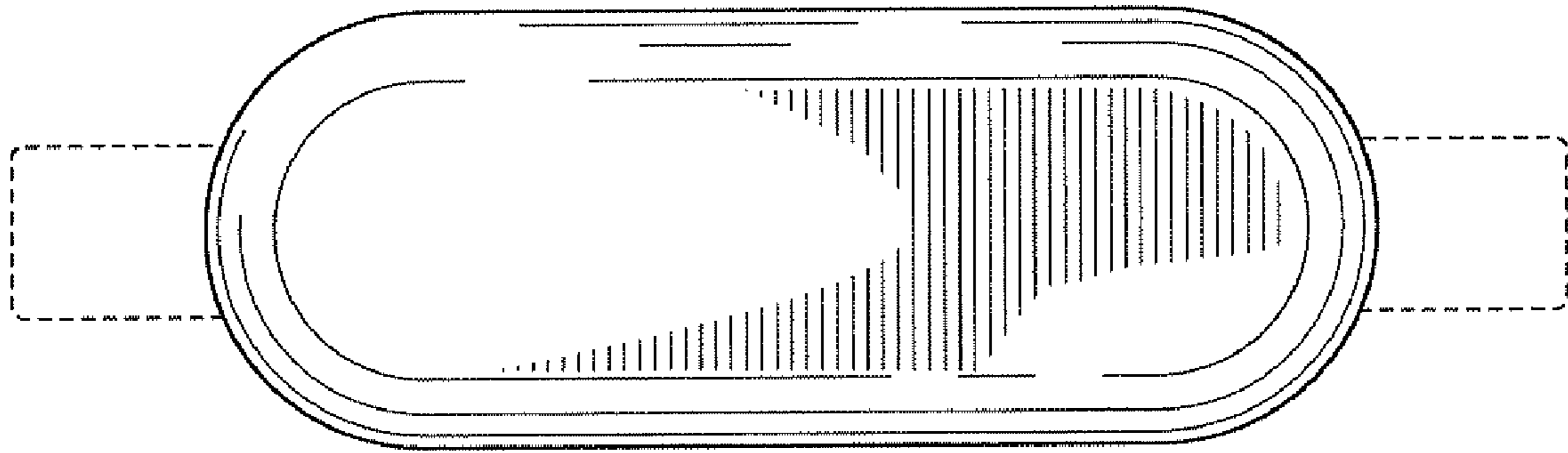


FIG. 4

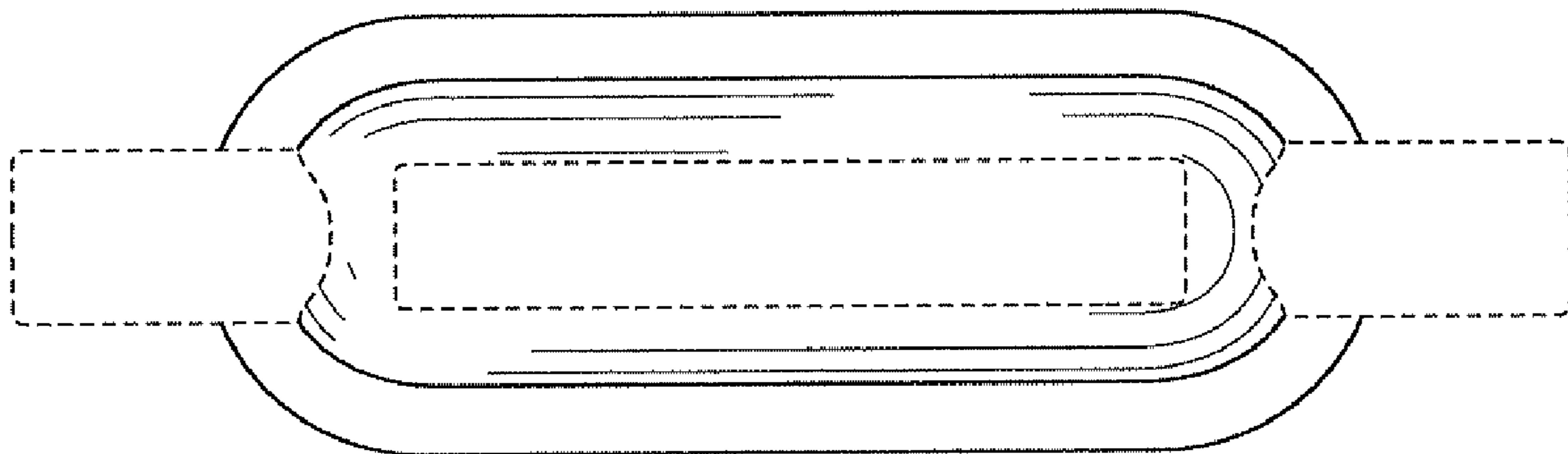


FIG. 5