



US00D616540S

(12) **United States Design Patent**
Brigatti et al.

(10) **Patent No.:** **US D616,540 S**
(45) **Date of Patent:** **** May 25, 2010**

(54) **FIXED-SHAPE CANNULA FOR POSTERIOR DELIVERY OF RADIATION TO EYE**

FOREIGN PATENT DOCUMENTS

(76) Inventors: **Luca Brigatti**, 507 Falcon Park La., Rockville, MD (US) 20850; **Russell J. Hamilton**, 10590 E. Stella Rd., Tucson, AZ (US) 85730; **Laurence J. Marsteller**, 6338 N. Camino Miraval, Tucson, AZ (US) 85718; **Michael Voevodsky**, 2231 E. Calle Lustre, Tucson, AZ (US) 85718

AU 323700 S * 1/2009

(Continued)

Primary Examiner—Elizabeth A Albert
Assistant Examiner—Karen E Eldridge Powers

(**) Term: **14 Years**

(57) **CLAIM**

The ornamental design for a fixed-shape cannula for posterior delivery of radiation to eye.

(21) Appl. No.: **29/332,032**

DESCRIPTION

(22) Filed: **Feb. 6, 2009**

(51) **LOC (9) Cl.** **24-02**

(52) **U.S. Cl.** **D24/112**

(58) **Field of Classification Search** D24/107, D24/108, 112, 113, 127, 130, 133, 150; 600/1, 600/3, 7, 8; 604/20, 27, 93.01, 264; 623/6.12
See application file for complete search history.

FIG. 1 is a side view of a fixed-shape cannula for posterior delivery of radiation to eye showing a distal portion inserted into eyeball and a proximal portion curved sideways (to the lateral side of face which is into page on the outside of eyeball);

FIG. 2 is a perspective view thereof;

FIG. 3 is a side view thereof with the distal portion on same plane as page, and proximal portion pointing into page;

FIG. 4 is an opposite side view thereof of FIG. 3, with proximal portion pointing out of page;

FIG. 5 is top view thereof;

FIG. 6 is a back view thereof;

FIG. 7 is a front view thereof;

FIG. 8 is a bottom view thereof; and,

FIG. 9 is a side view thereof showing a distal portion inserted into eyeball and a proximal portion curved sideways (to the lateral side of face which is into page on the outside of eyeball).

In FIG. 1, the broken-line showing of environmental structure (eyeball and face) and an unclaimed handle are for the purpose of illustrating the cannula in a condition of use. The broken lines and the structure they depict form no part of the claimed design.

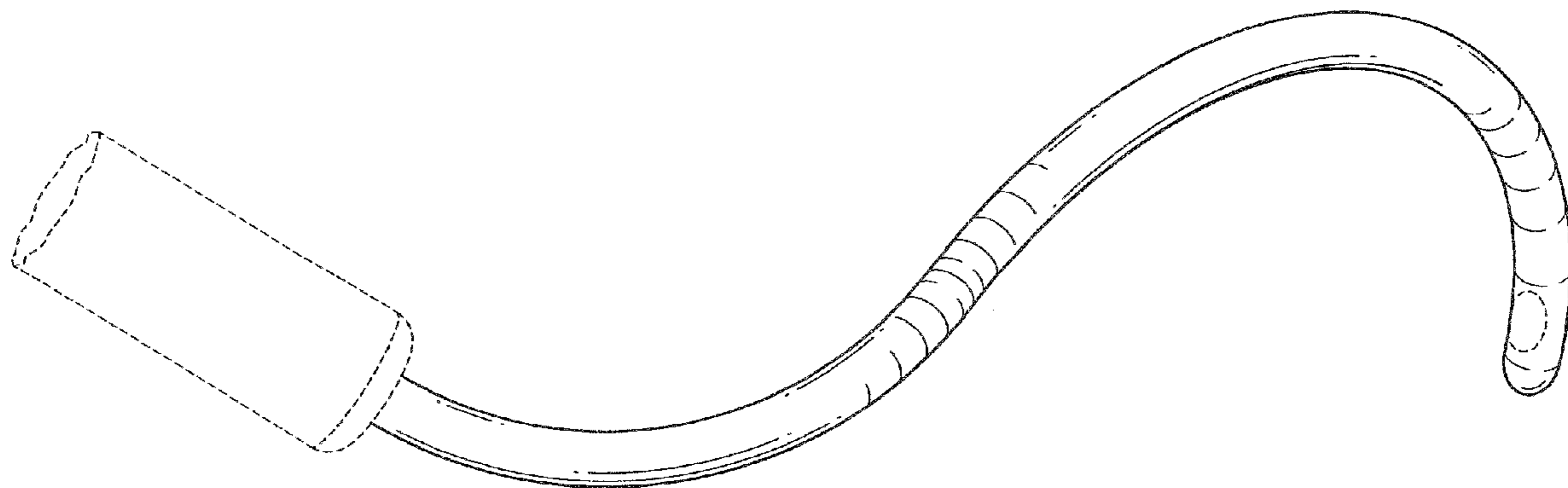
(56) **References Cited**

U.S. PATENT DOCUMENTS

| | | | | |
|-----------|-----|---------|----------------|---------|
| 2,309,302 | A * | 1/1943 | Butler et al. | 604/412 |
| 2,559,793 | A | 7/1951 | Pregel | |
| 3,169,527 | A * | 2/1965 | Sheridan | 604/172 |
| 3,662,882 | A | 5/1972 | Obermayer | |
| D235,171 | S * | 5/1975 | Boone | D24/113 |
| D235,172 | S * | 5/1975 | Boone | D24/113 |
| D236,920 | S * | 9/1975 | Sheridan | D24/112 |
| 4,300,557 | A * | 11/1981 | Refojo et al. | 424/424 |
| D272,089 | S * | 1/1984 | Glassman | D24/133 |
| 4,925,450 | A * | 5/1990 | Imonti et al. | 604/240 |
| 5,167,647 | A * | 12/1992 | Wijkamp et al. | 604/532 |
| 5,199,939 | A * | 4/1993 | Dake et al. | 600/3 |
| D340,111 | S * | 10/1993 | Yoshikawa | D24/112 |
| D345,417 | S * | 3/1994 | Sharipov | D24/112 |
| 5,637,073 | A | 6/1997 | Freire | |
| D390,656 | S * | 2/1998 | Linder | D24/112 |
| 6,053,900 | A * | 4/2000 | Brown et al. | 604/500 |
| D428,140 | S * | 7/2000 | Swan | D24/112 |

(Continued)

1 Claim, 6 Drawing Sheets



US D616,540 S

Page 2

U.S. PATENT DOCUMENTS

6,135,984 A * 10/2000 Dishler 604/264
6,183,410 B1 2/2001 Jacobsen et al.
6,413,245 B1 7/2002 Yaacobi et al.
6,443,881 B1 9/2002 Finger
6,749,553 B2 * 6/2004 Brauckman et al. 600/3
D492,778 S * 7/2004 Narini D24/146
6,918,894 B2 * 7/2005 Fleury et al. 604/272
6,958,055 B2 * 10/2005 Donnan et al. 604/192
6,964,653 B2 * 11/2005 Negron 604/200
7,070,556 B2 * 7/2006 Anderson et al. 600/29
7,153,316 B1 * 12/2006 McDonald 606/166
D543,626 S * 5/2007 Watschke et al. D24/133
7,273,445 B2 9/2007 Pulido et al.
7,351,193 B2 4/2008 Forman et al.
D575,396 S * 8/2008 Wu D24/135
7,547,323 B2 * 6/2009 Lavigne 623/10

7,563,222 B2 * 7/2009 Larsen et al. 600/3
2002/0065448 A1 * 5/2002 Bradshaw et al. 600/3
2002/0077687 A1 * 6/2002 Ahn 607/120
2004/0138515 A1 7/2004 White et al.
2006/0223026 A1 * 10/2006 Kuroiwa et al. 433/80
2007/0219546 A1 * 9/2007 Mody et al. 606/27
2008/0161762 A1 * 7/2008 Stehr et al. 604/264
2008/0214887 A1 * 9/2008 Heanue et al. 600/3
2008/0281142 A1 * 11/2008 Lubock et al. 600/3
2010/0004499 A1 * 1/2010 Brigatti et al. 600/7
2010/0004581 A1 * 1/2010 Brigatti et al. 604/20

FOREIGN PATENT DOCUMENTS

AU 323701 S * 1/2009
AU 323703 S * 1/2009
AU 323704 S * 1/2009

* cited by examiner

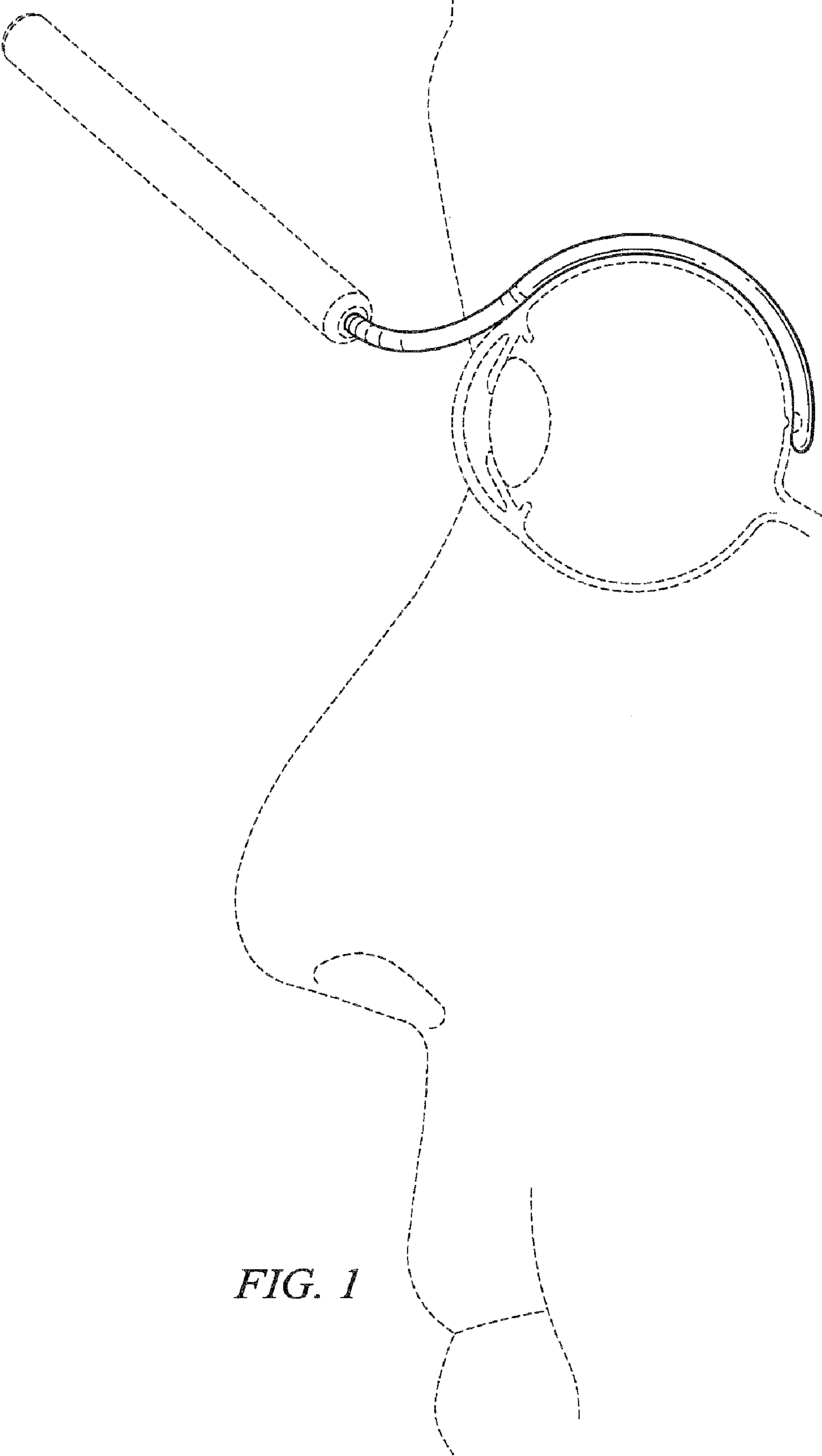


FIG. 1

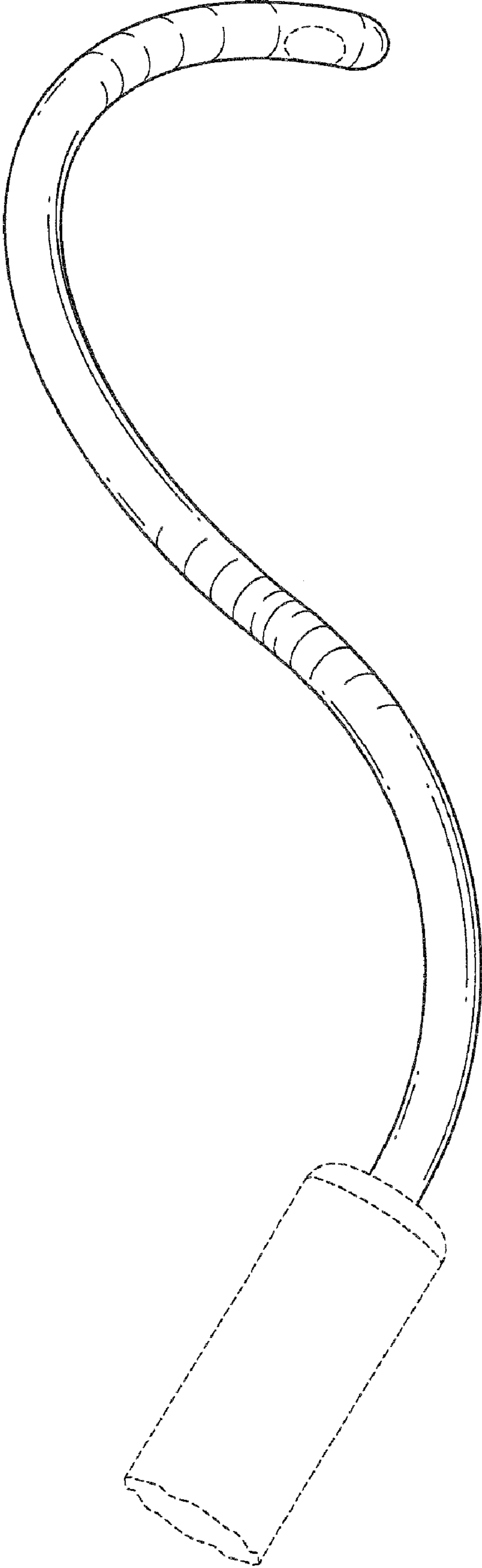


FIG. 2

FIG. 3

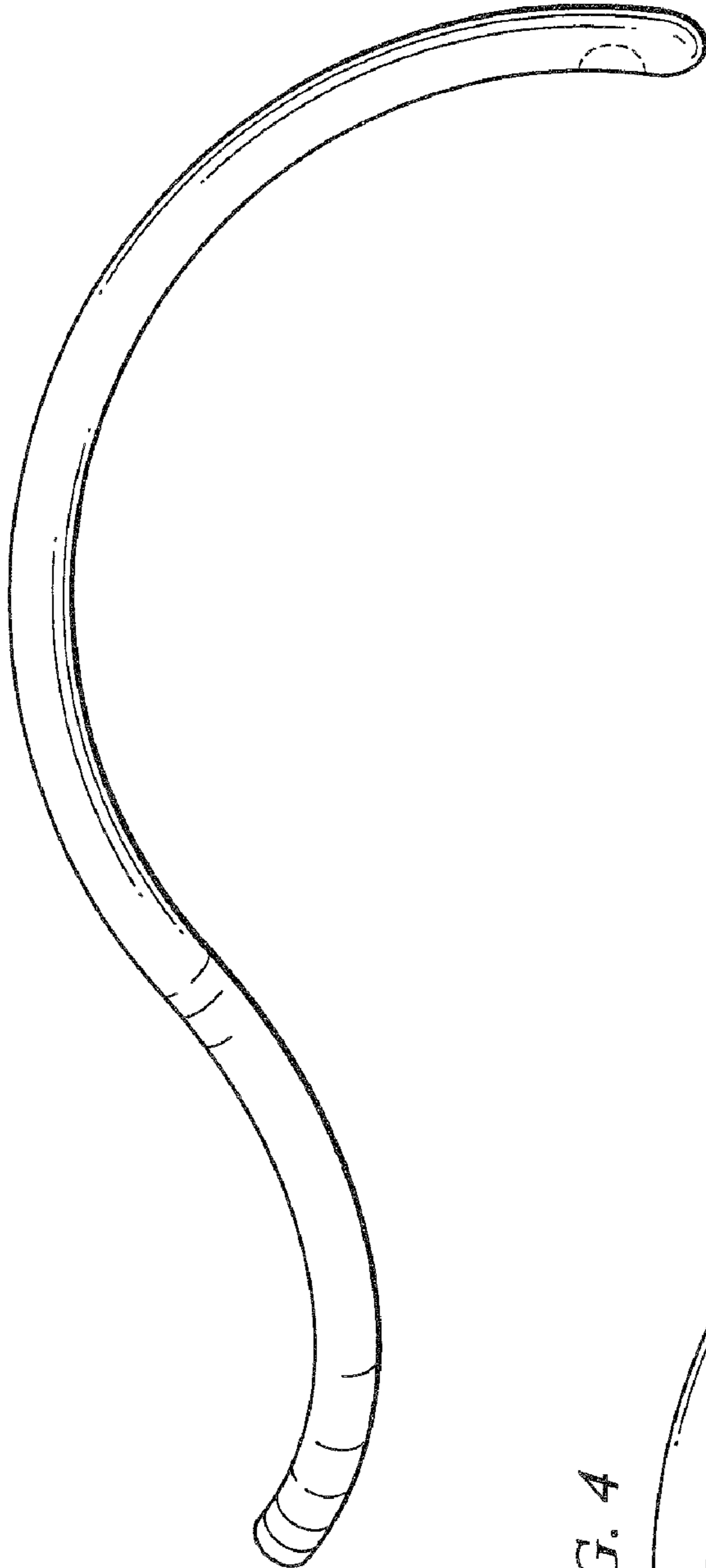
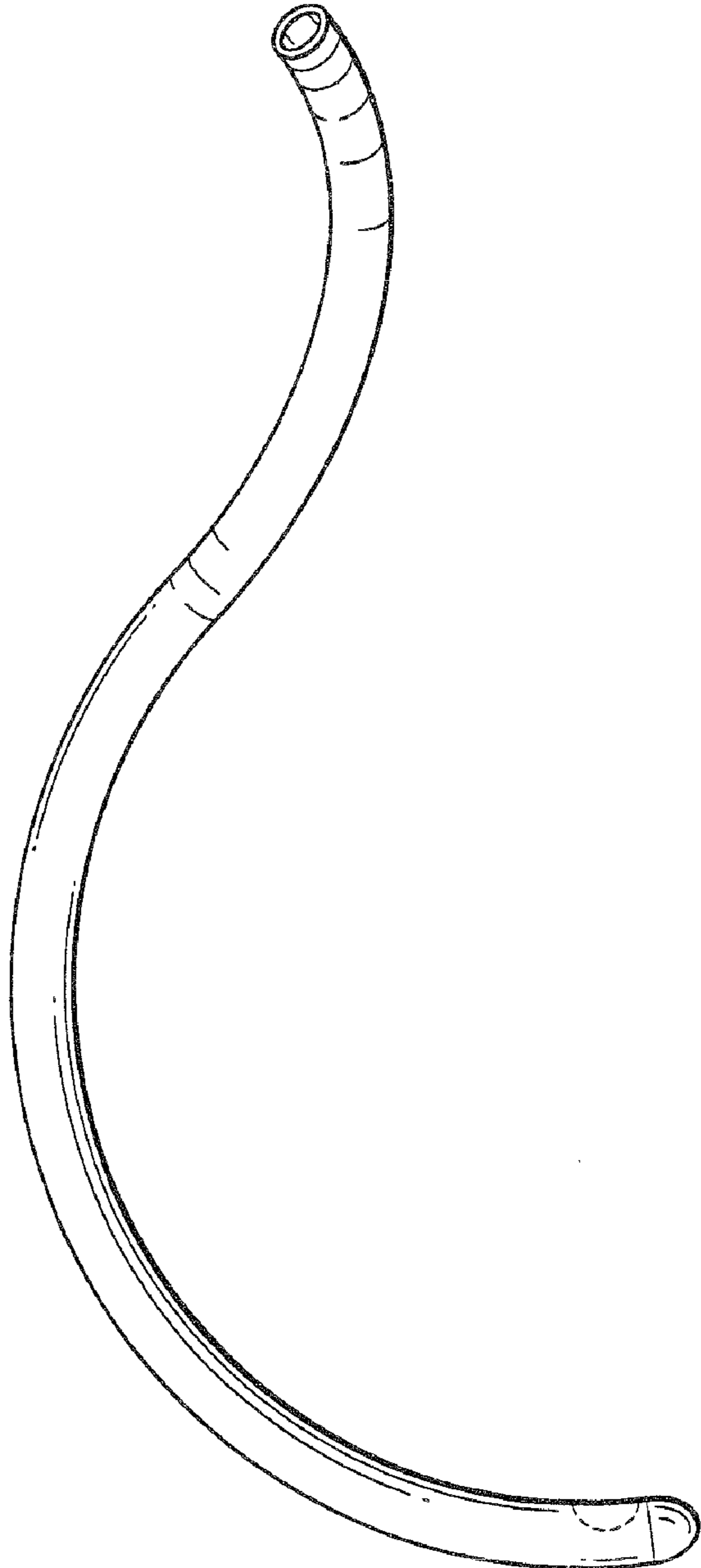


FIG. 4



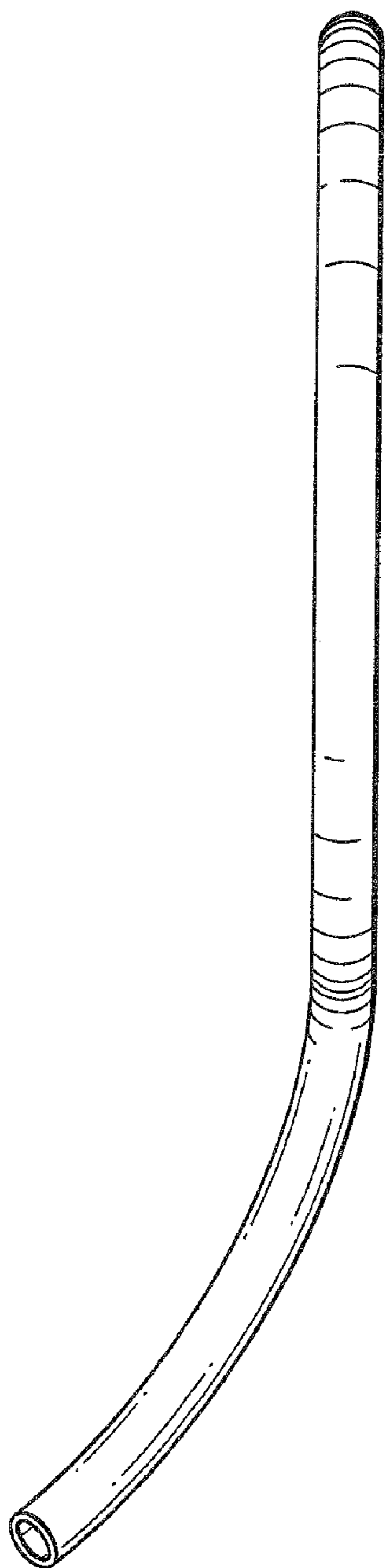


FIG. 5

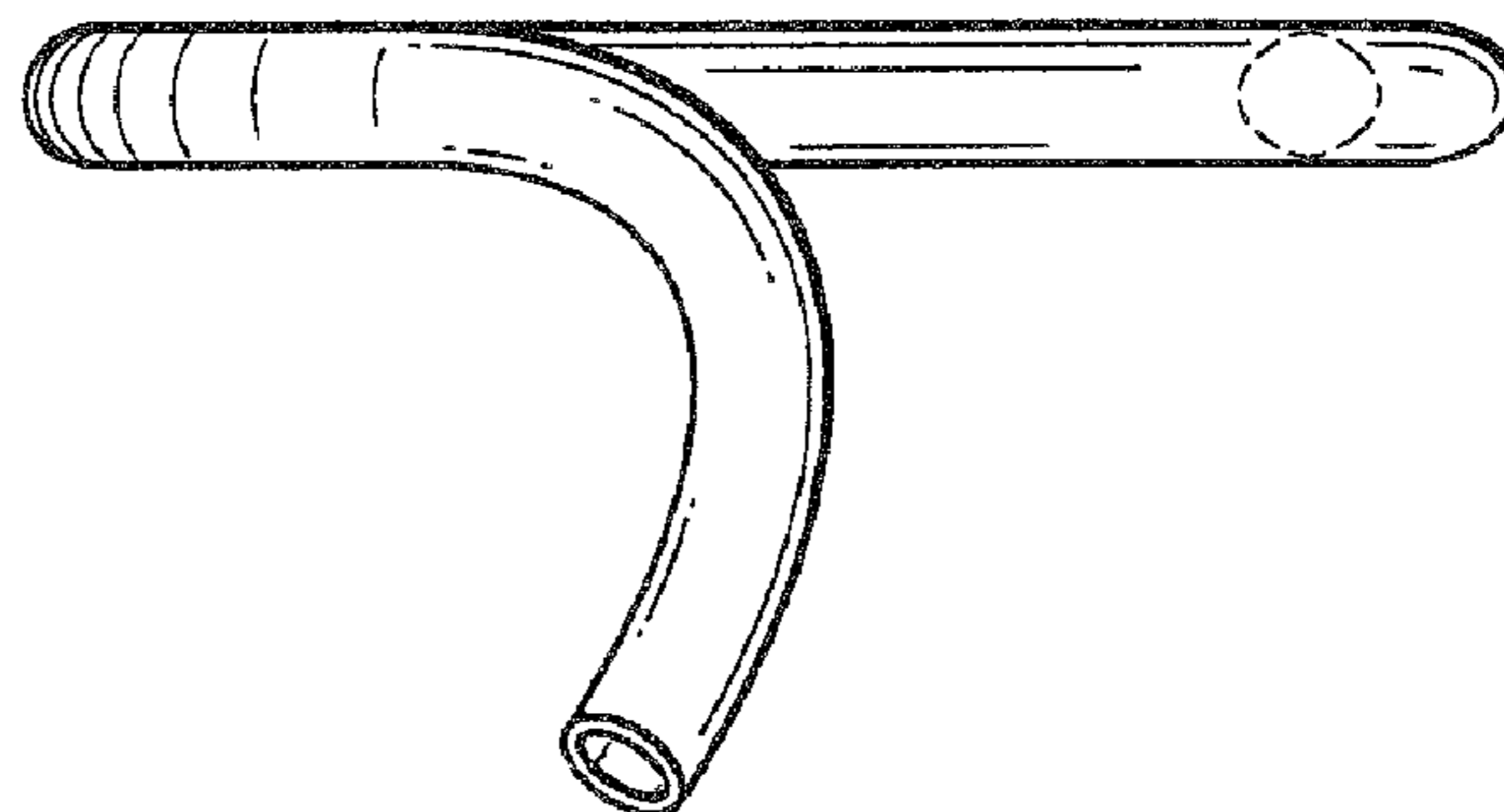


FIG. 6

FIG. 7

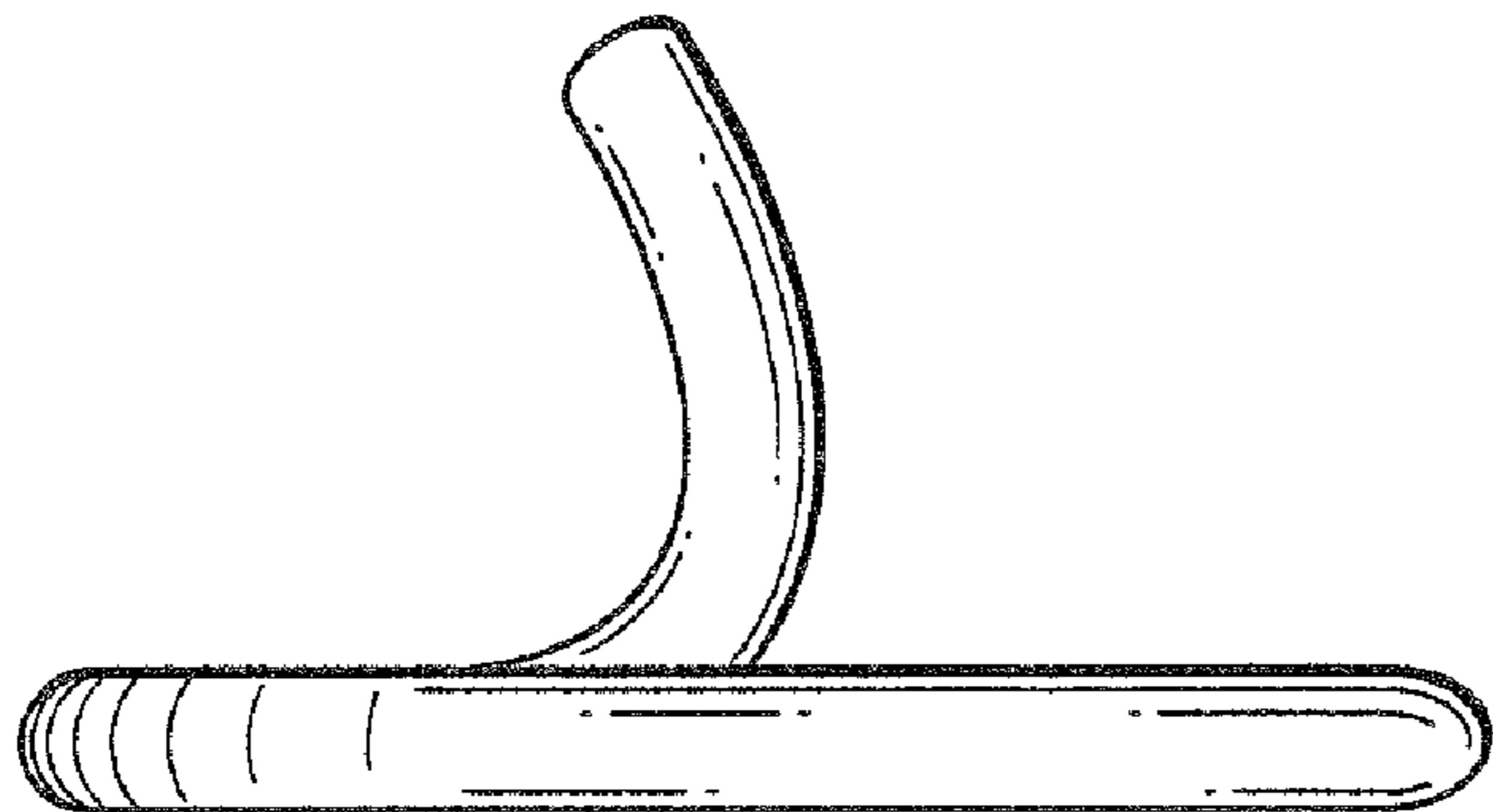
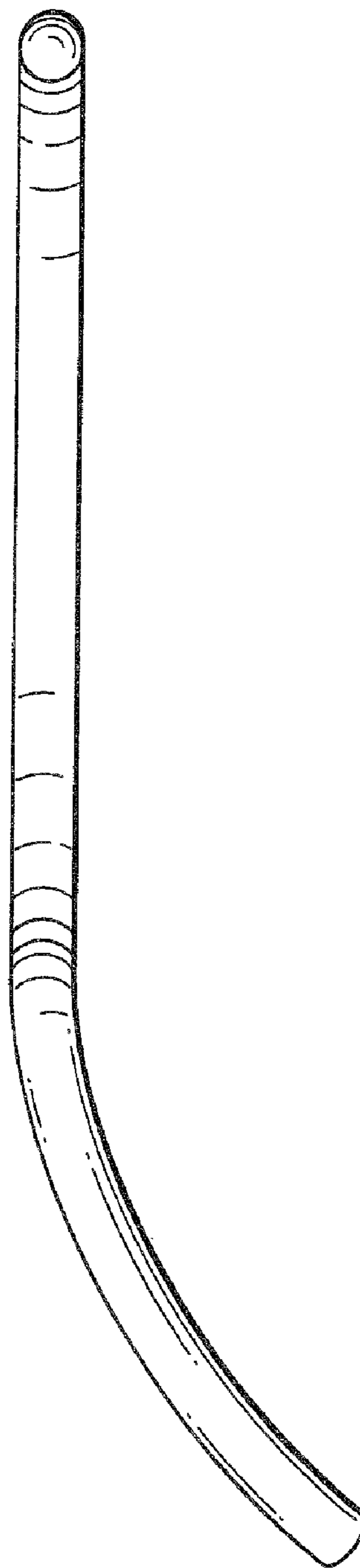


FIG. 8



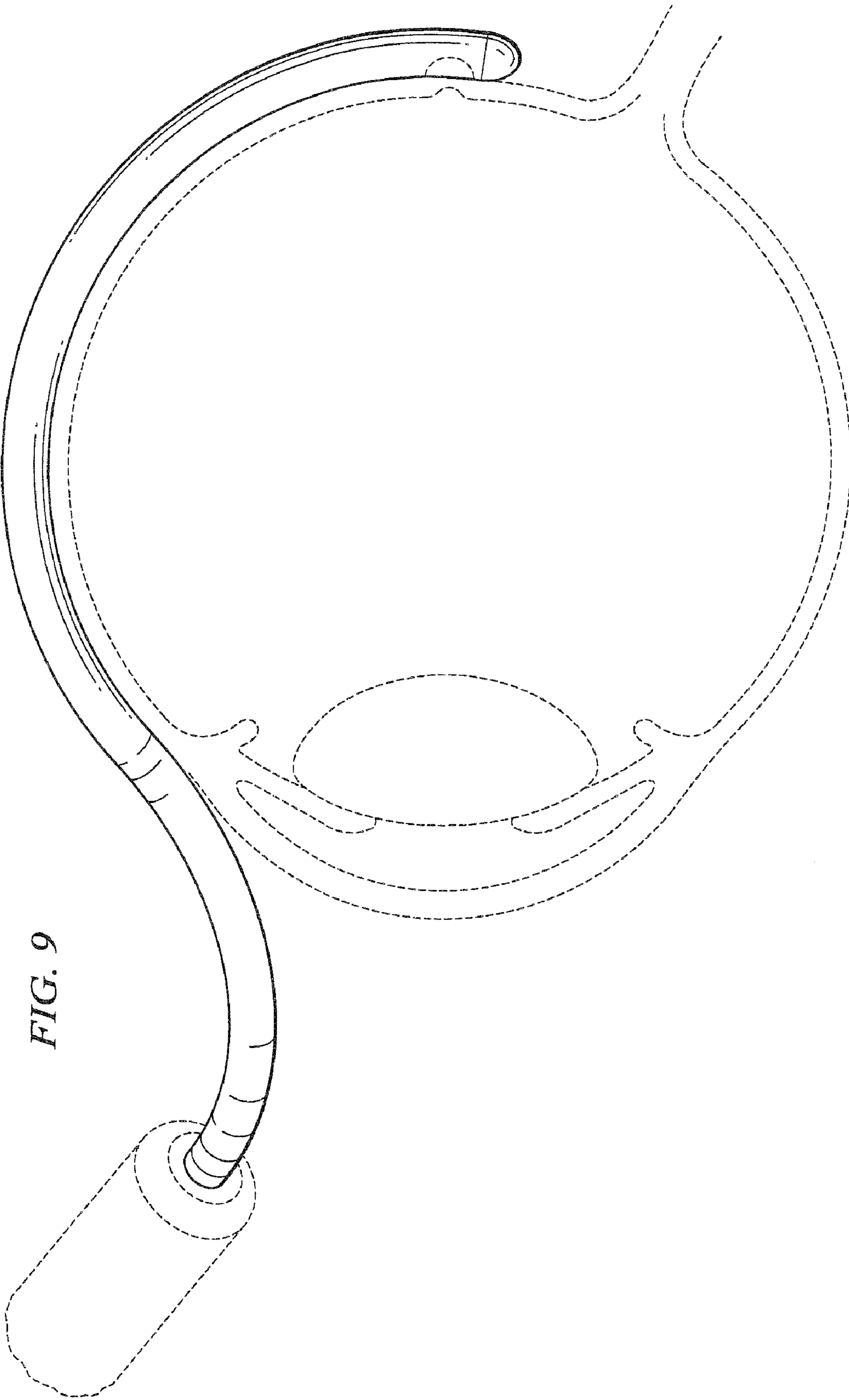


FIG. 9