



US00D616538S

(12) **United States Design Patent**  
**Lu**

(10) **Patent No.:** **US D616,538 S**  
(45) **Date of Patent:** **\*\* May 25, 2010**

(54) **CATALYTIC WICK**

6,024,012 A \* 2/2000 Luzenberg, Jr. .... 99/323

(76) Inventor: **Ping-Chien Lu**, 4F, No. 18, Lane 136,  
Wunhua Rd., Yingge Township, Taipei  
County (TW)

(Continued)

(\*\*) Term: **14 Years**

(21) Appl. No.: **29/330,508**

(22) Filed: **Jan. 8, 2009**

(51) **LOC (9) Cl.** ..... **23-03**

(52) **U.S. Cl.** ..... **D23/418**

(58) **Field of Classification Search** ..... D23/338-341,  
D23/366, 386, 387, 390, 391, 396-410, 415-421,  
D23/499; D7/402, 407, 408; 126/44, 58,  
126/92 AC, 218, 219, 500, 501; 239/34,  
239/44, 132.1, 145; 422/126; 431/125, 258,  
431/268, 298, 302

See application file for complete search history.

(56) **References Cited**

**U.S. PATENT DOCUMENTS**

- 104,635 A \* 6/1870 Osborn ..... 431/302
- 365,973 A \* 7/1887 De Bondini et al. .... 431/328
- 586,994 A \* 7/1897 Duke ..... 431/100
- 614,557 A \* 11/1898 Killing ..... 431/100
- 833,738 A \* 10/1906 Frey ..... 431/307
- D56,618 S \* 11/1920 Kenney ..... D23/415
- 2,119,820 A \* 6/1938 Lumsden ..... 431/309
- D192,341 S \* 3/1962 Hutton ..... D23/418
- 3,724,756 A \* 4/1973 Maltenfort ..... 239/47
- D235,020 S \* 4/1975 Holt ..... D23/386
- D262,734 S \* 1/1982 Wooden ..... D23/413
- 4,451,381 A \* 5/1984 Heiss et al. .... 252/1
- D279,703 S \* 7/1985 Cherington et al. .... D23/415
- D285,111 S \* 8/1986 Hanson ..... D23/413
- 4,621,768 A \* 11/1986 Lhoste et al. .... 239/44
- 5,006,498 A \* 4/1991 Kim ..... 502/68
- D338,523 S \* 8/1993 Zlotnik et al. .... D23/366
- 5,588,823 A \* 12/1996 Wu ..... 431/241
- 5,840,246 A \* 11/1998 Hammons et al. .... 422/4
- 5,840,257 A \* 11/1998 Bureau et al. .... 422/125

**OTHER PUBLICATIONS**

“La Tee Da Replacement Pieces Wicks, Wick and Burner Assembly”,  
Models M1, 90, 130 and 180, Coronet Online Shopping, [http://web.archive.org/web/20080101123848/www.coronetgiftsolutions.com/la-tee-da\\_re...](http://web.archive.org/web/20080101123848/www.coronetgiftsolutions.com/la-tee-da_re...) 3 pages found in search of catalytic wicks on Dec. 16, 2009.\*

“Large Replacement Wick” Item LGWICK, the Lamp stand.com. 3 pages, <http://www.thelampstand.com/strewi.html>, found in search of catalytic wicks on Dec. 2, 2009.\*

“Wickstone” Item # FL-WickMiniBlue, Courtney’s Candles web site, 4 pages, <http://www.courtneyscandles.com/mini2piece.html> and [http://ep.yimg.com/ca/l/courtneyscandles\\_2079\\_538405254](http://ep.yimg.com/ca/l/courtneyscandles_2079_538405254), found in search of catalytic wicks on Dec. 2, 2009.\*

*Primary Examiner*—Robert M Spear

*Assistant Examiner*—Karen Acker

(74) *Attorney, Agent, or Firm*—Ming Chow; Sinorica, LLC

(57) **CLAIM**

I claim the ornamental design for a catalytic wick, as shown and described.

**DESCRIPTION**

FIG. 1 is a front perspective view of a catalytic wick showing my new design;

FIG. 2 is a front elevational view thereof;

FIG. 3 is a rear elevational view thereof.

FIG. 4 is a left side elevational view thereof;

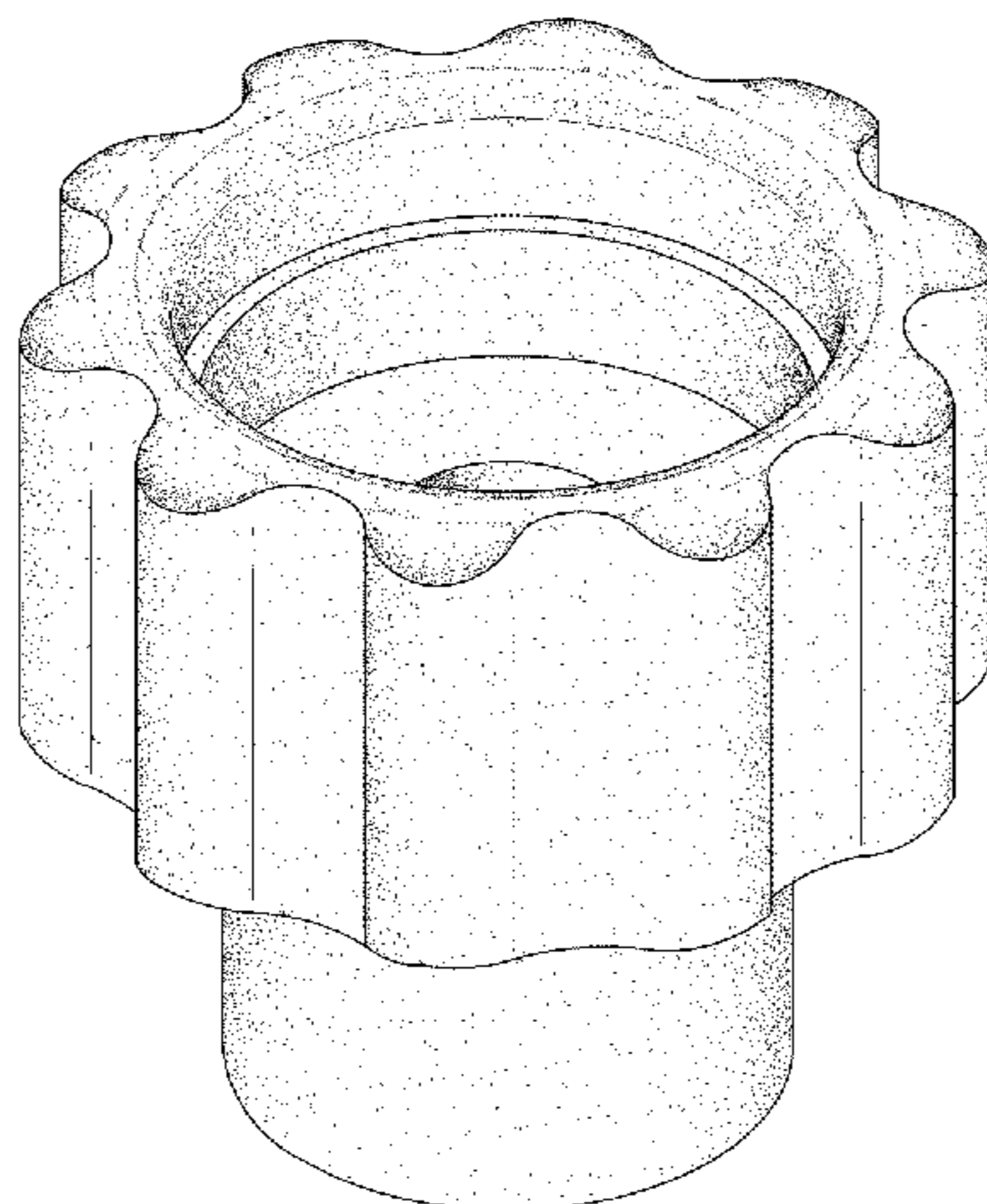
FIG. 5 is a right side elevational view thereof;

FIG. 6 is a top plan view thereof; and,

FIG. 7 is a bottom plan view thereof.

The broken lines in the drawings represent unclaimed environmental subject matter.

**1 Claim, 4 Drawing Sheets**



# US D616,538 S

Page 2

---

## U.S. PATENT DOCUMENTS

6,399,028	B1 *	6/2002	Huang	.....	422/125	2002/0088545	A1 *	7/2002	Lee et al.	.....	156/345.33
6,537,061	B1 *	3/2003	Gomez et al.	.....	431/268	2002/0164554	A1 *	11/2002	Kisch et al.	.....	431/298
6,555,069	B1 *	4/2003	Ferguson	.....	422/126	2005/0074370	A1 *	4/2005	Yuan	.....	422/126
7,241,136	B2 *	7/2007	Lehoux et al.	.....	431/324	2005/0282100	A1 *	12/2005	Lin	.....	431/268
D593,191	S *	5/2009	Walker	.....	D23/366	2008/0014539	A1 *	1/2008	Pisklak et al.	.....	431/268
D594,539	S *	6/2009	Lu	.....	D23/366	2008/0308647	A1 *	12/2008	Maget et al.	.....	239/34
						2009/0045266	A1 *	2/2009	Feriani et al.	.....	239/44

\* cited by examiner

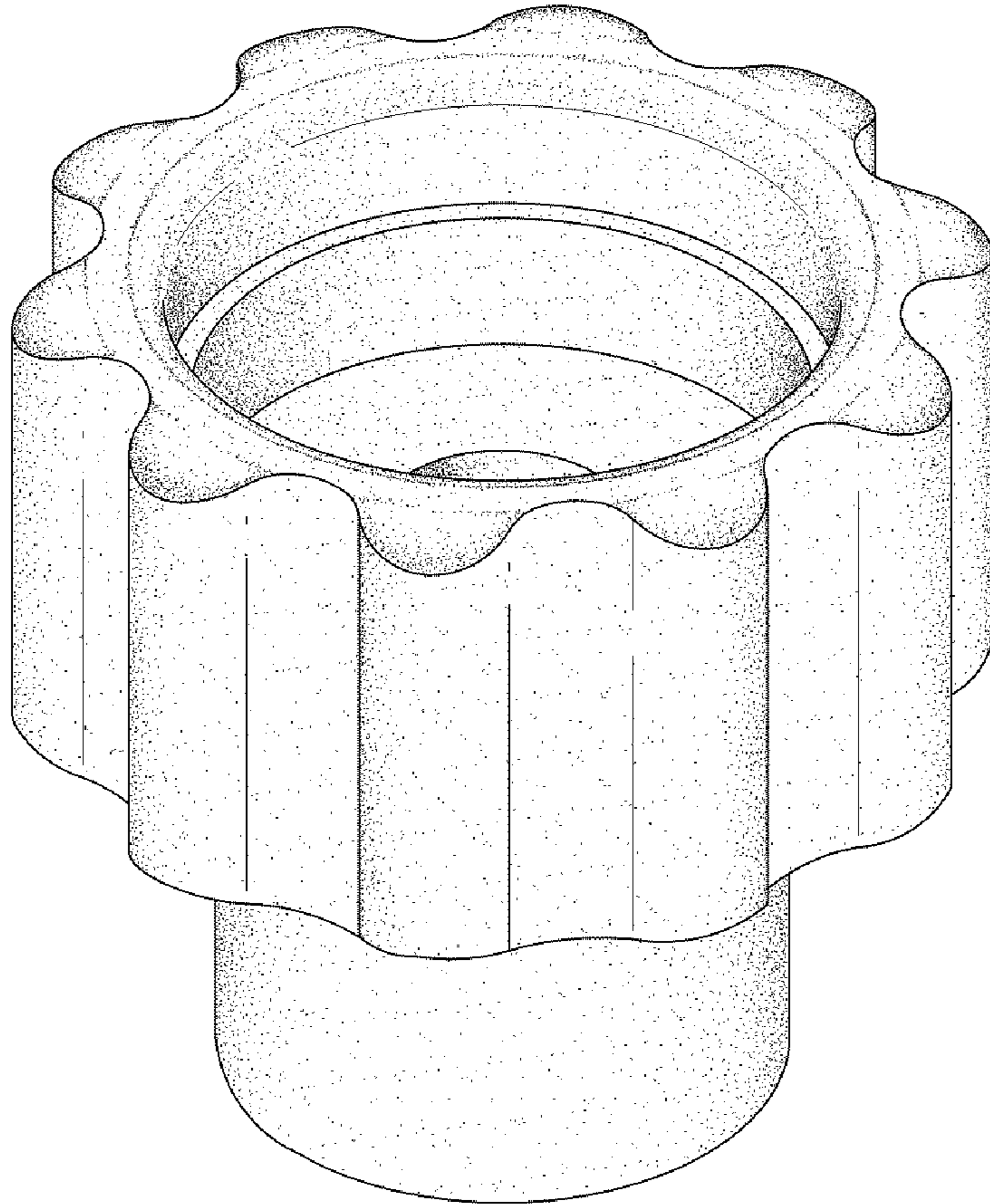


FIG. 1



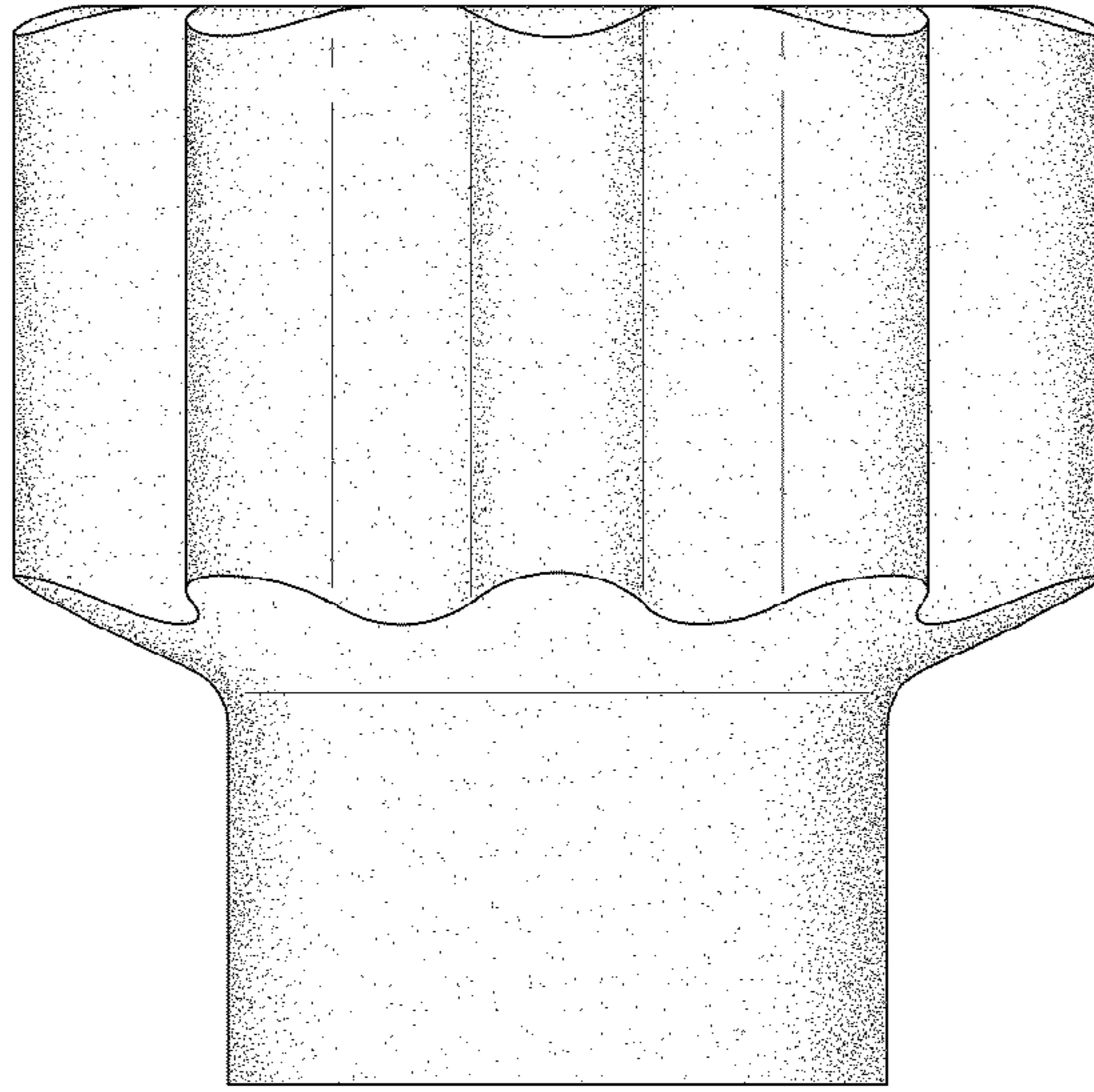


FIG. 2

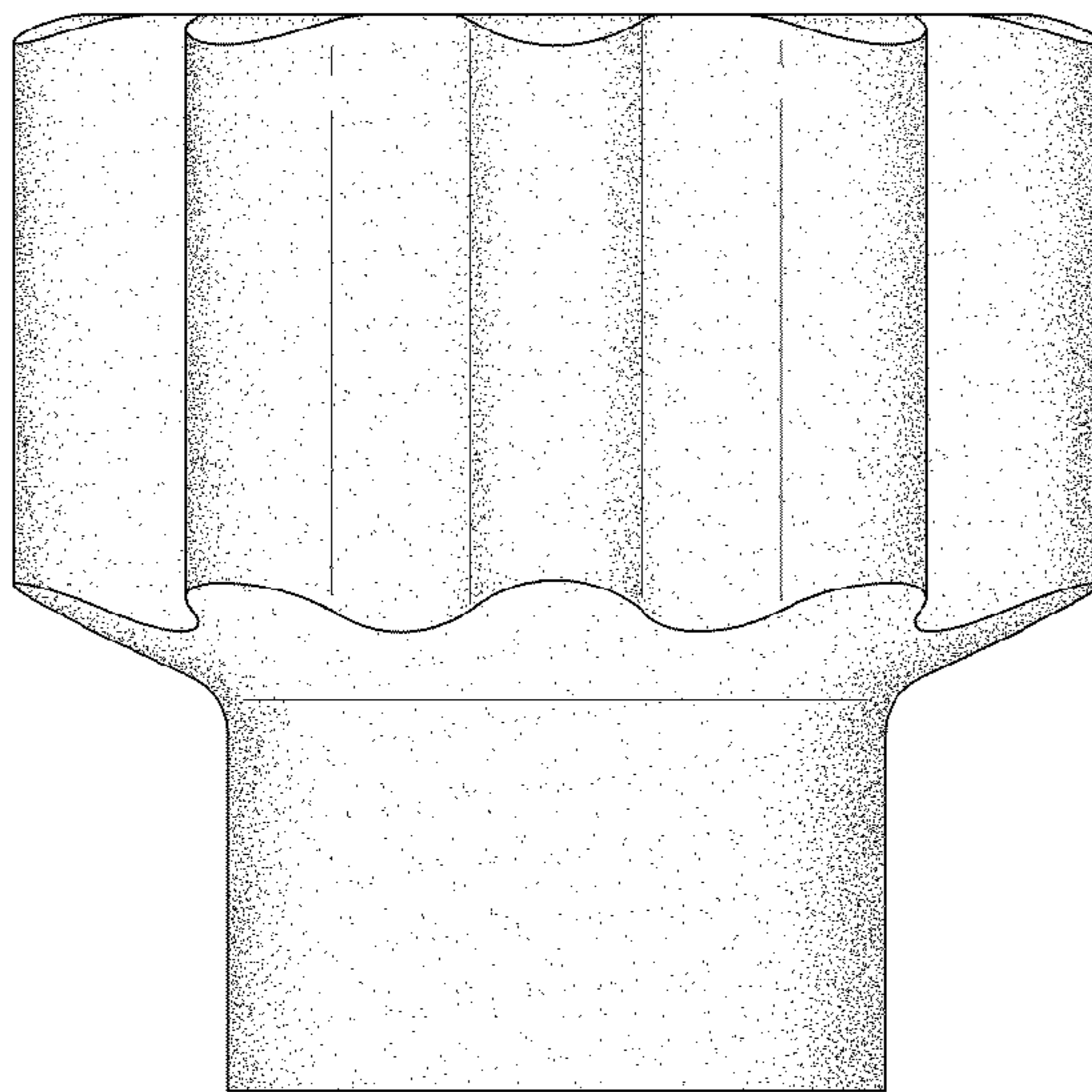


FIG. 3

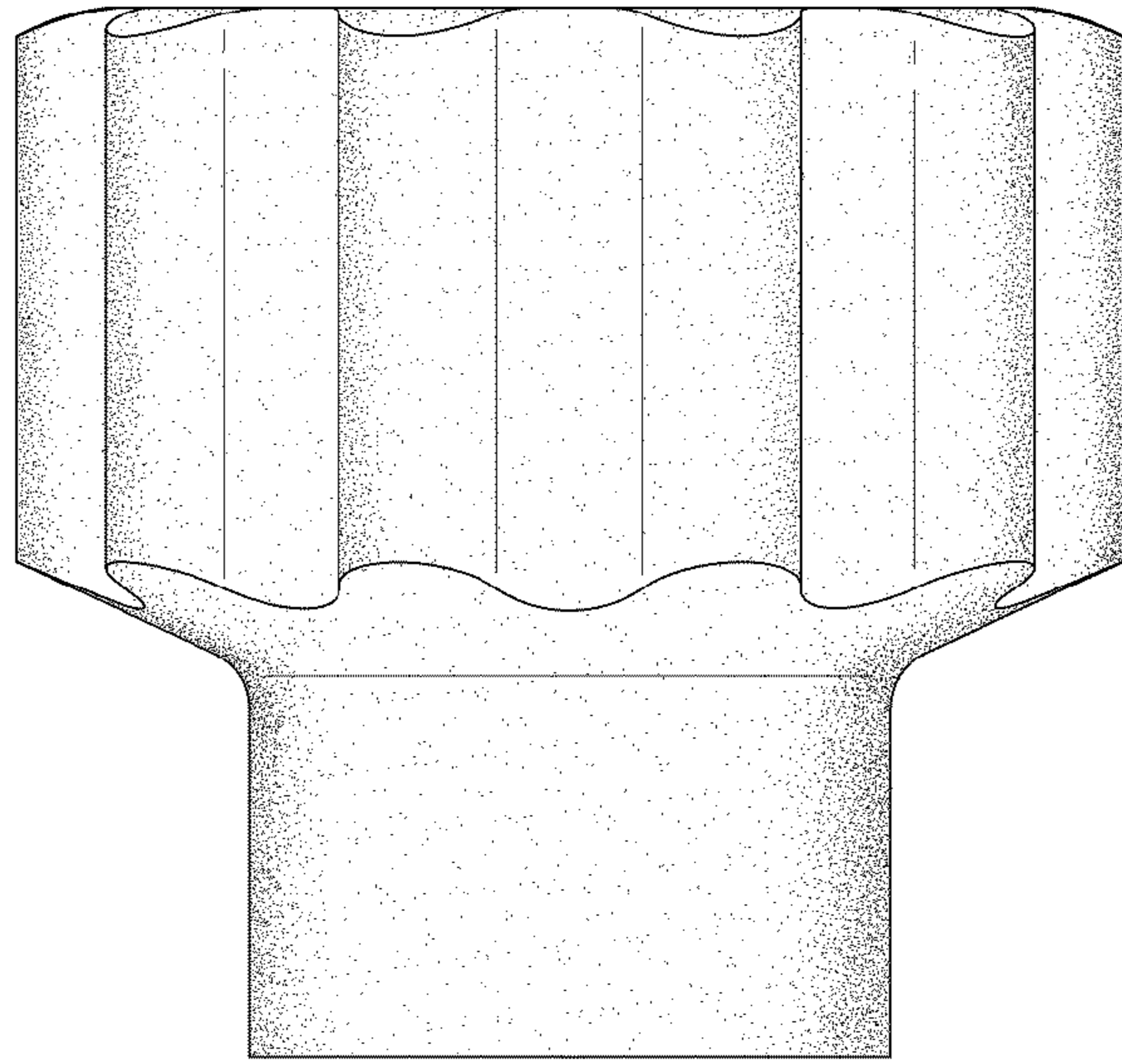


FIG. 4

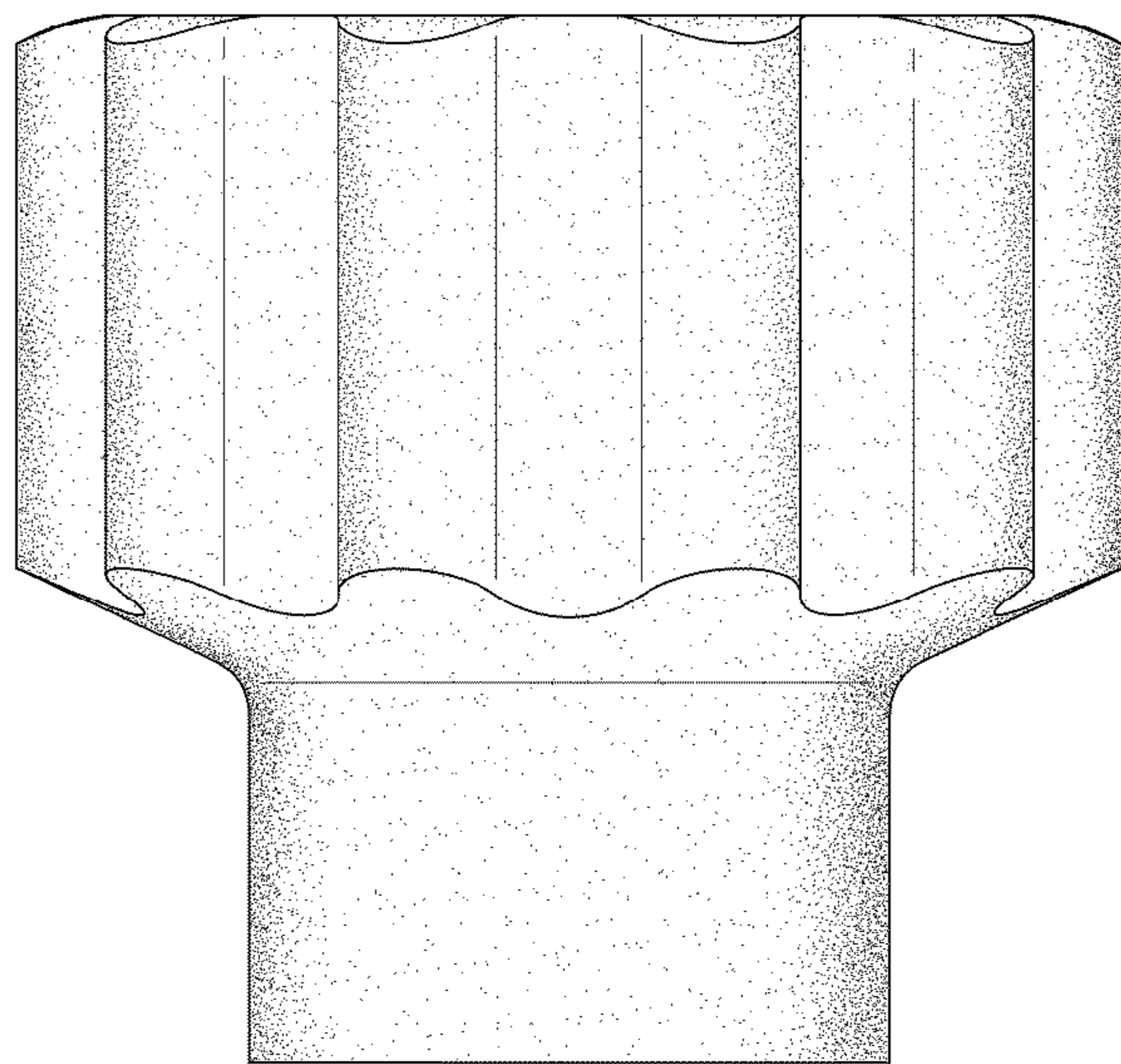


FIG. 5

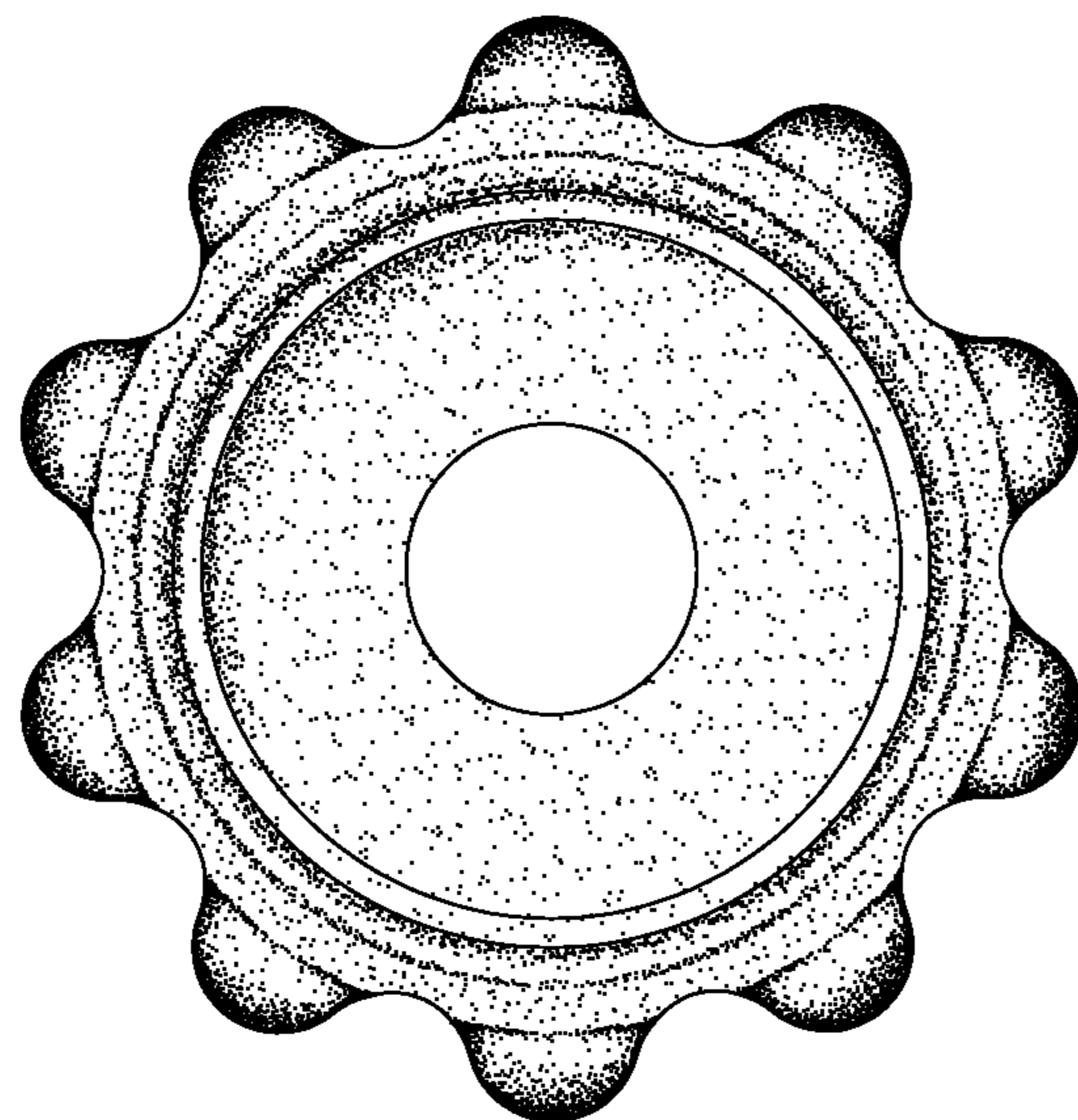


FIG. 6

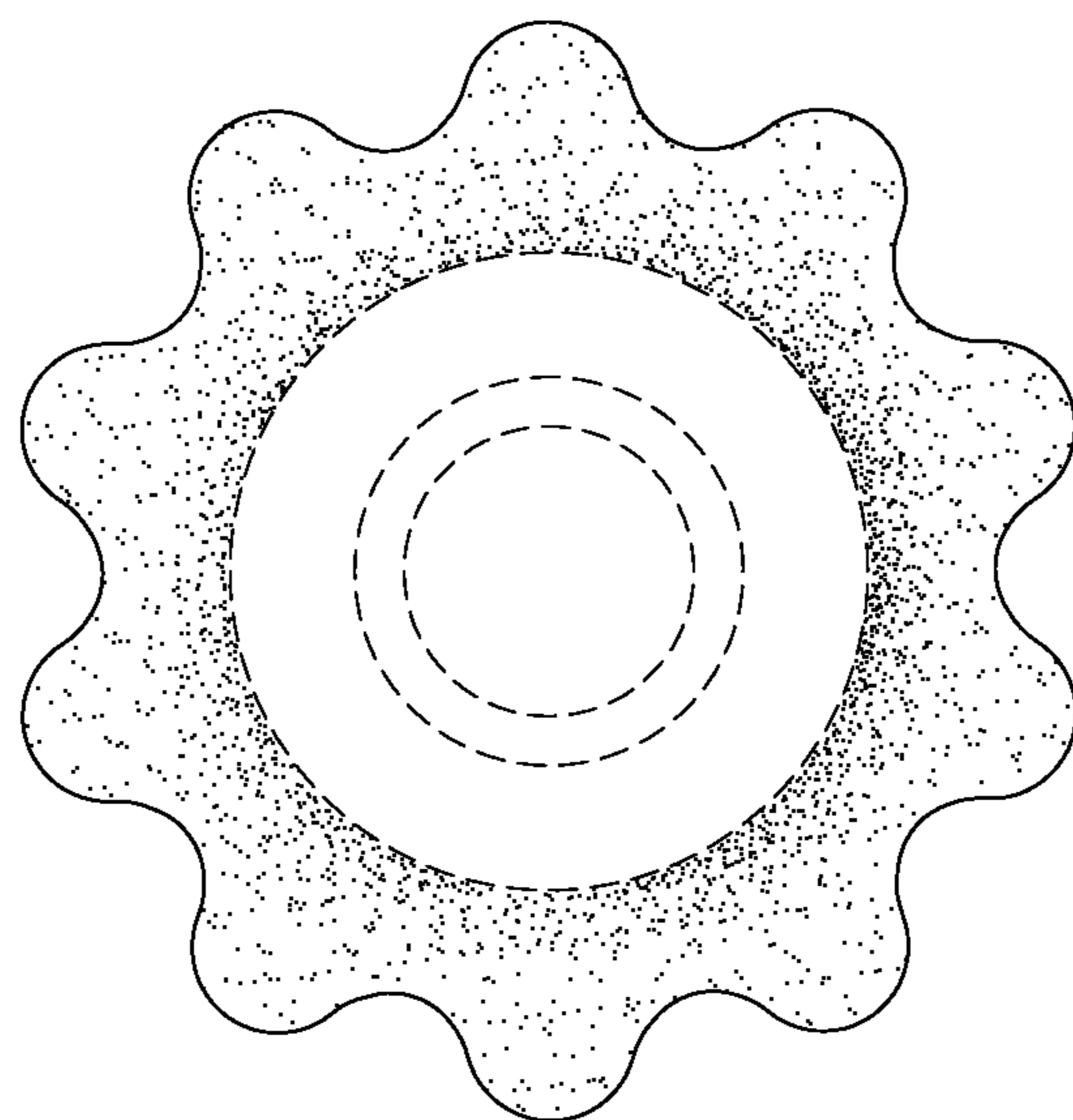


FIG. 7