



US00D616537S

(12) **United States Design Patent**
Gosko-Sadowski

(10) **Patent No.:** **US D616,537 S**
(45) **Date of Patent:** **** May 25, 2010**

(54) **DRYING APPARATUS FOR MOUNTING ON A HEAT VENT**

(76) Inventor: **Laura Gosko-Sadowski**, 9104 Summerfeldt Rd., Saginaw, MI (US) 48609

(**) Term: **14 Years**

(21) Appl. No.: **29/294,844**

(22) Filed: **Jan. 30, 2008**

(51) **LOC (9) Cl.** **23-04**

(52) **U.S. Cl.** **D23/393; D32/8**

(58) **Field of Classification Search** D23/393, D23/389, 388, 385, 370, 351, 354, 386; D32/8, D32/25, 58, 59; 454/309, 275–277, 284, 454/287–291; 34/103, 104, 239, 240; 428/17; D1/99; D11/118

See application file for complete search history.

(56) **References Cited**

U.S. PATENT DOCUMENTS

3,798,788	A	3/1974	Kuntz	
4,085,519	A	4/1978	Masika	
4,136,464	A	1/1979	Hay	
D271,913	S *	12/1983	Nanfito et al.	D32/58
4,596,078	A	6/1986	McCartney	
D310,742	S *	9/1990	Johnson	D32/58
5,058,289	A *	10/1991	Guindon	34/104
5,213,855	A *	5/1993	Buxton	428/17
D344,619	S *	3/1994	Klein	D1/199
5,394,619	A	3/1995	Kaplan	
5,406,717	A	4/1995	Dofka	
D372,346	S	7/1996	Marks	
D373,867	S *	9/1996	Rask	D32/58
5,632,099	A	5/1997	Seifert et al.	
5,692,316	A	12/1997	Antal	
D394,926	S *	6/1998	Lindsay	D32/58
D412,231	S *	7/1999	Williams et al.	D32/58
5,946,814	A	9/1999	Farrant	

D433,204	S *	10/2000	Gardner, Jr.	D32/58
6,922,911	B2	8/2005	Lam	
7,103,989	B2 *	9/2006	Rosseau et al.	34/104
D553,310	S *	10/2007	Penney et al.	D32/8
D562,725	S *	2/2008	Keller	D11/118
D563,070	S *	2/2008	Palese et al.	D32/59

* cited by examiner

Primary Examiner—T. Chase Nelson

Assistant Examiner—David G Muller

(74) *Attorney, Agent, or Firm*—Robert L. McKellar; McKellar IP Law, PLLC

(57) **CLAIM**

The ornamental design for a drying apparatus for mounting on a heat vent, as shown and described.

DESCRIPTION

FIG. 1 is a top plan view of drying apparatus for mounting on a heat vent;

FIG. 2 is an end elevational view, taken from the left side of FIG. 1;

FIG. 3 is a front elevational view taken through line 3—3 of FIG. 1

FIG. 4 is a side view taken from the right side of FIG. 1;

FIG. 5 is a rear elevational view, taken through line 5—5 of FIG. 1

FIG. 6 is a bottom plan view thereof; and

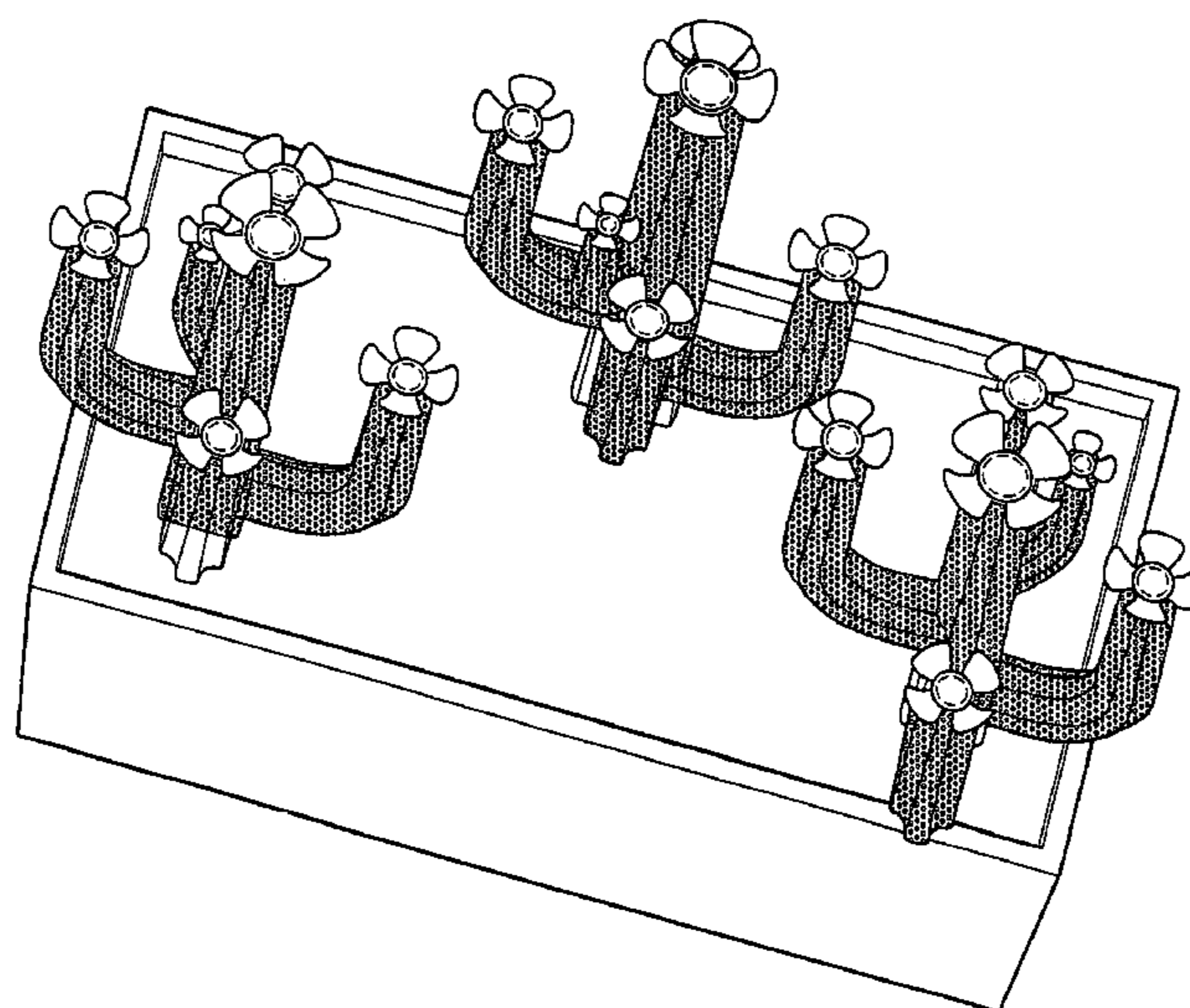
FIG. 7 is a rear perspective thereof.

FIG. 8 is an enlarged flower petal taken from FIG. 7; and,

FIG. 9 is a sectional view of FIG. 1 taken through line 9—9 of FIG. 1.

The broken line showing of parts of the drawings is included for the purpose of illustrating use and environment and forms no part of the claimed design.

1 Claim, 7 Drawing Sheets



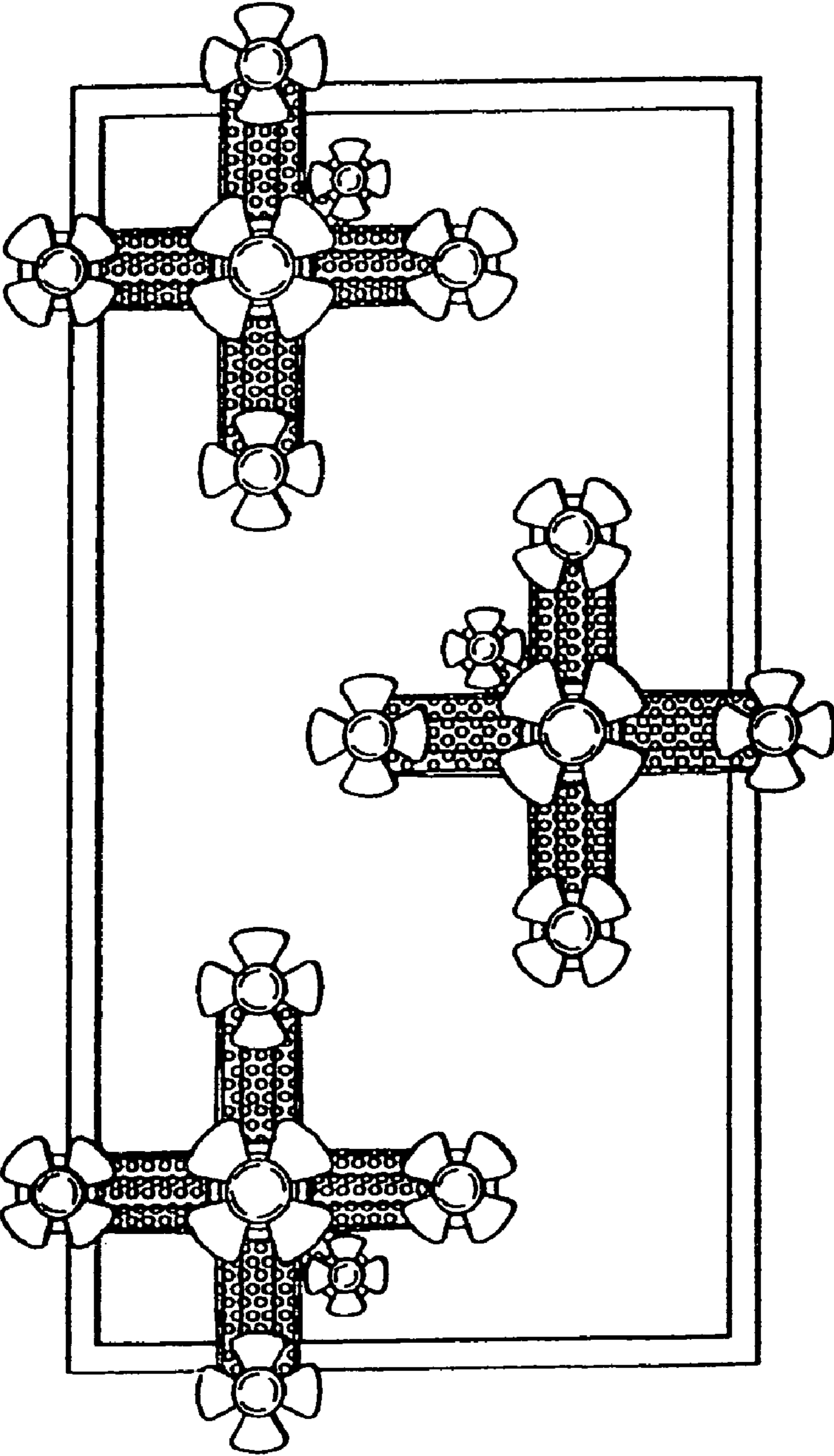


FIG.1

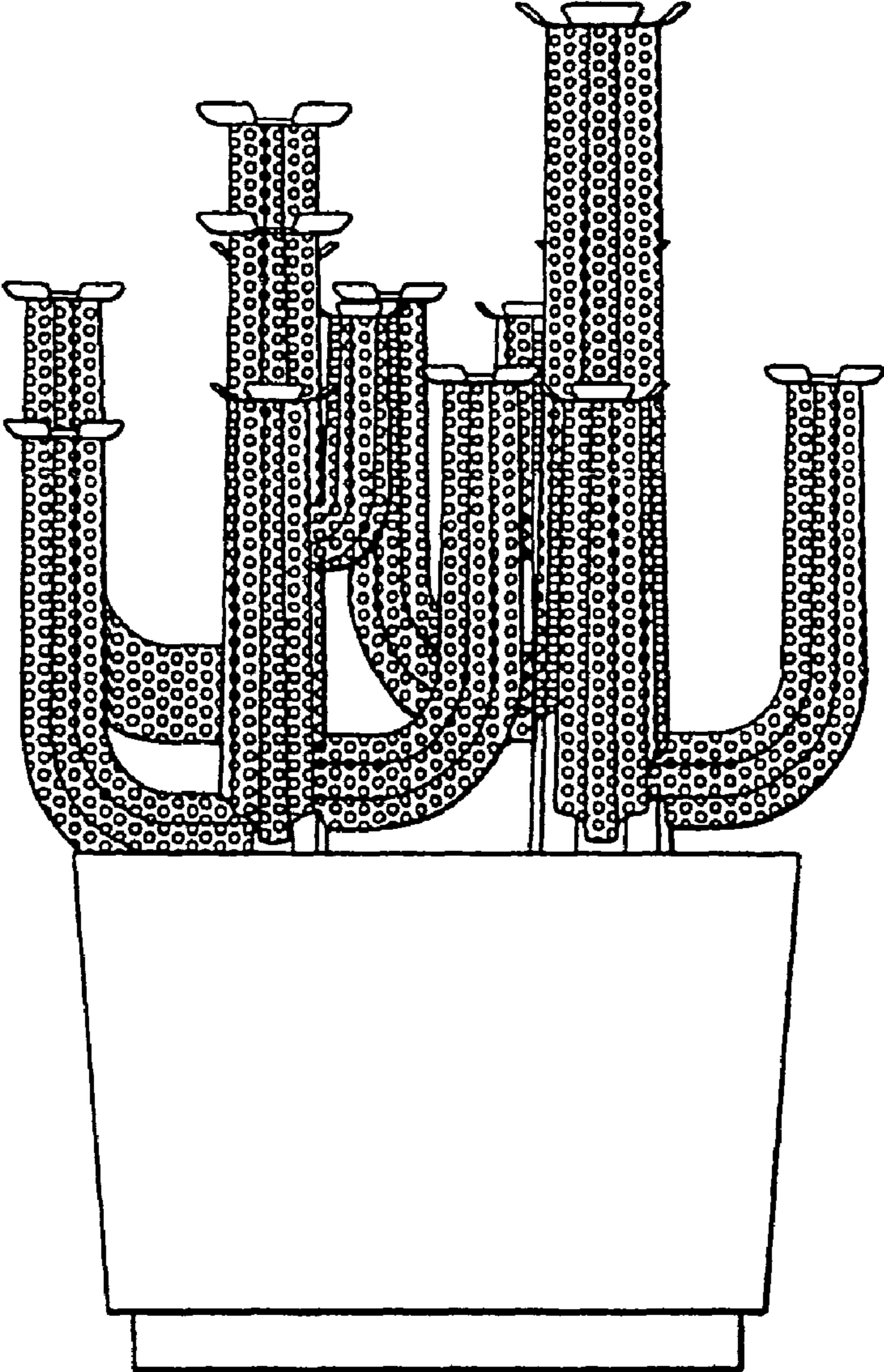


FIG.2

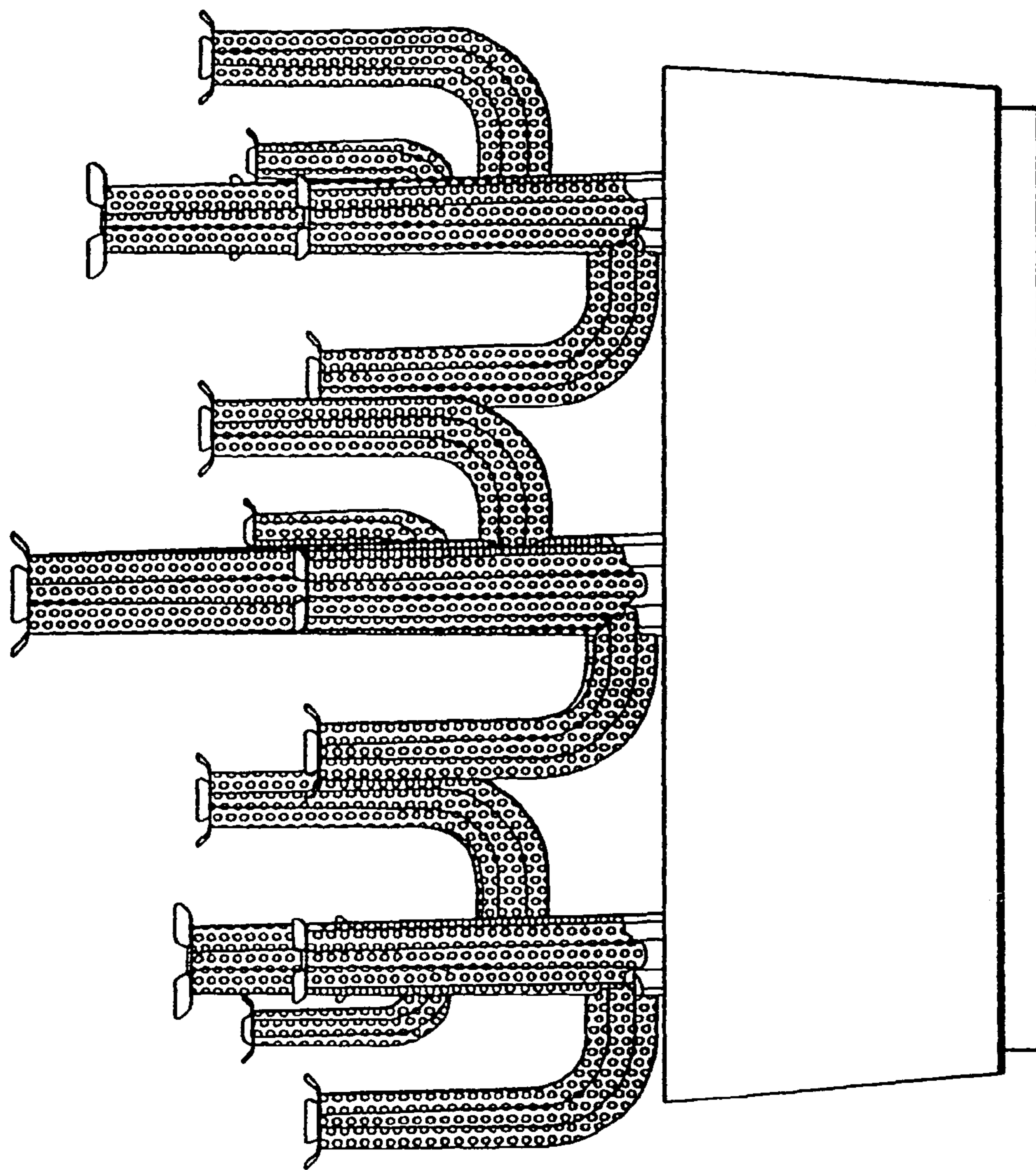


FIG. 3

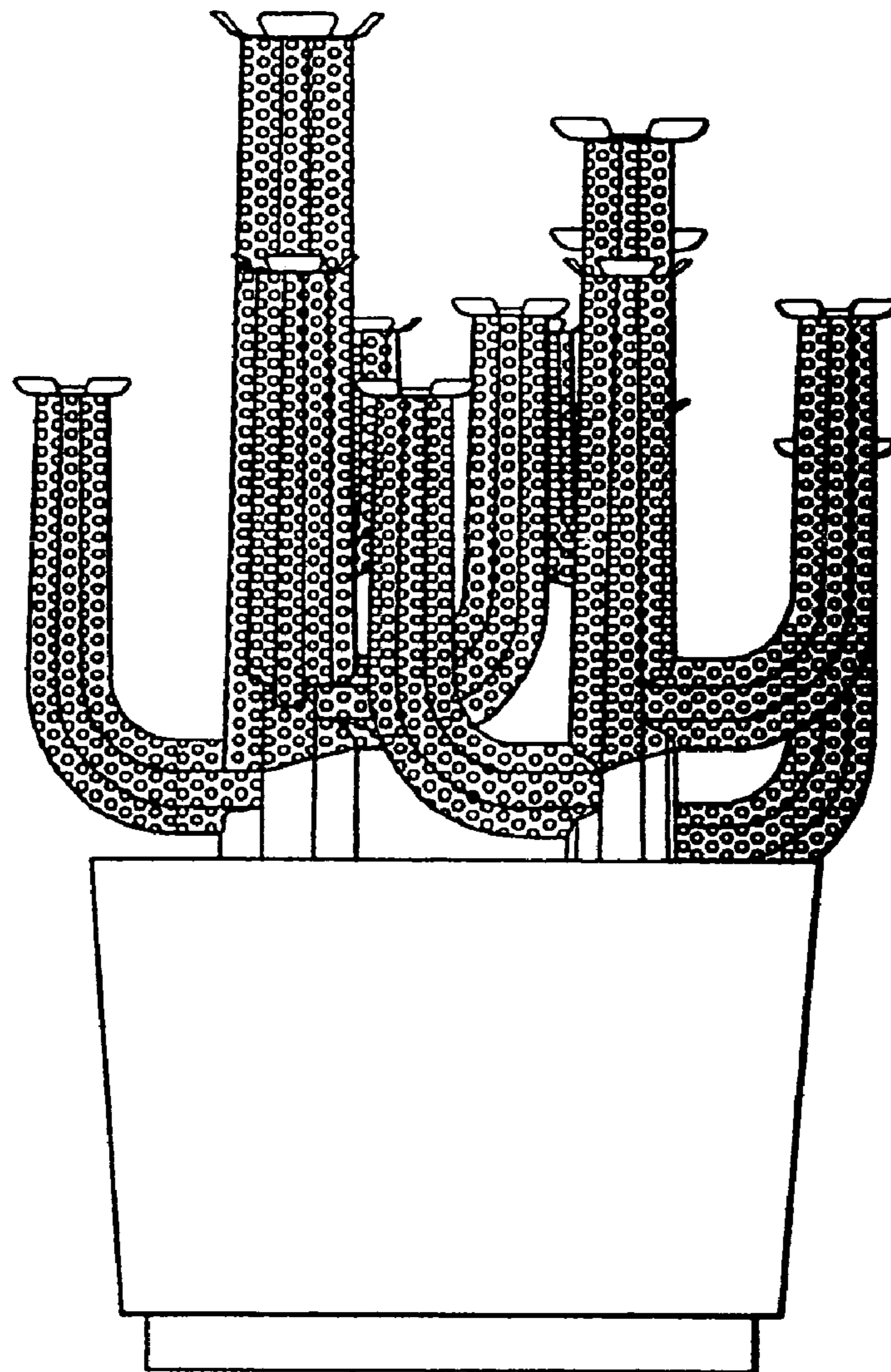


FIG.4

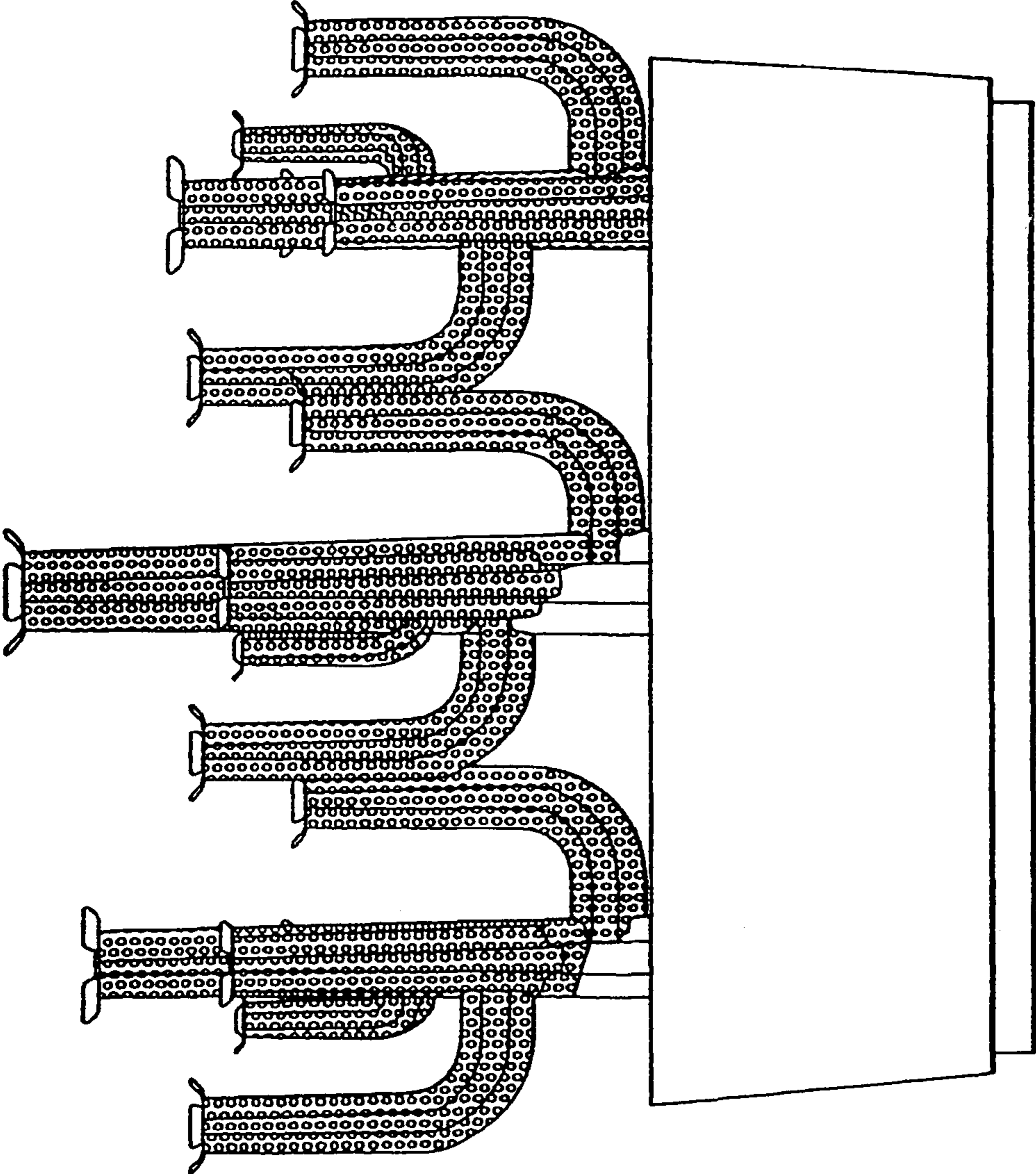


FIG. 5

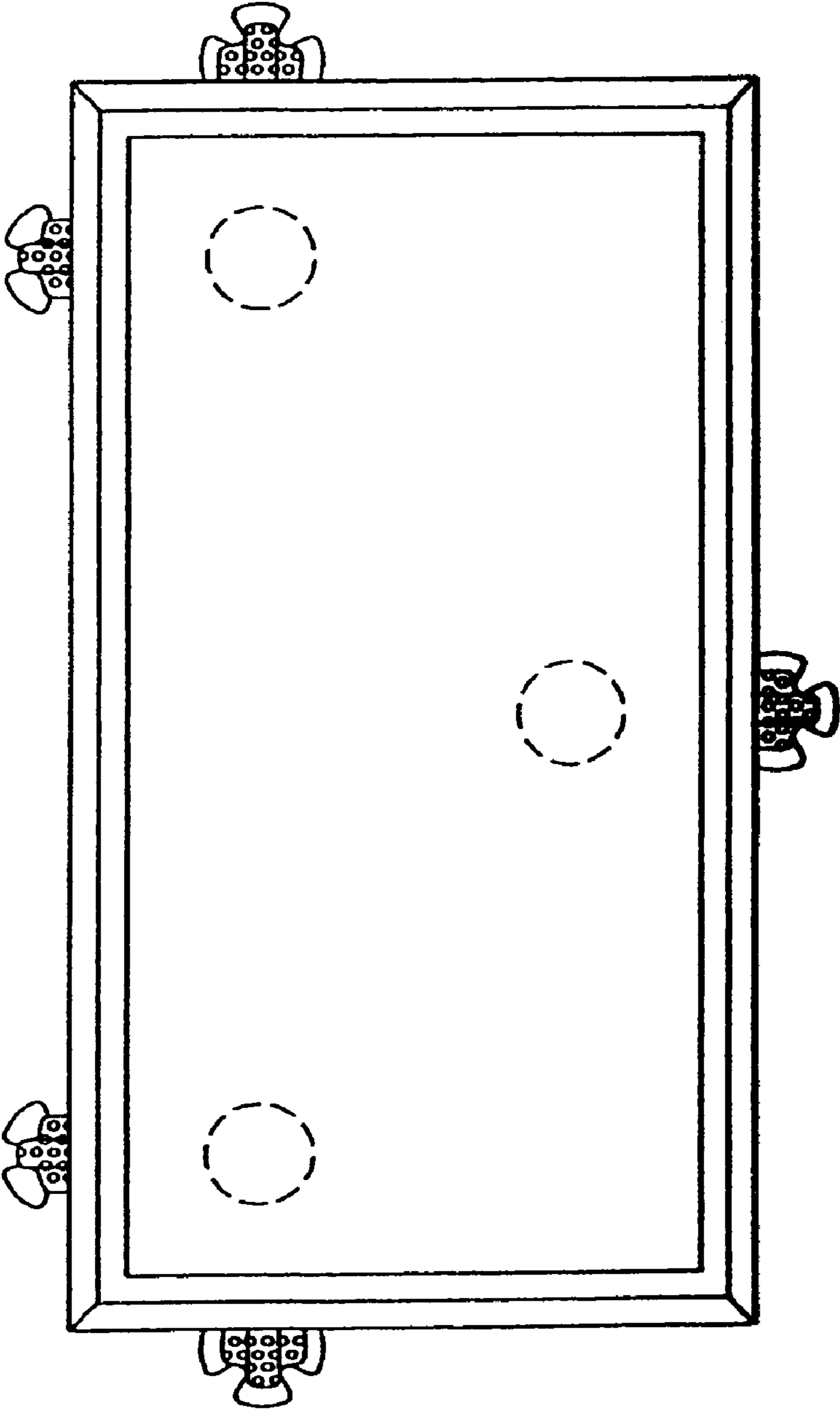


FIG. 6

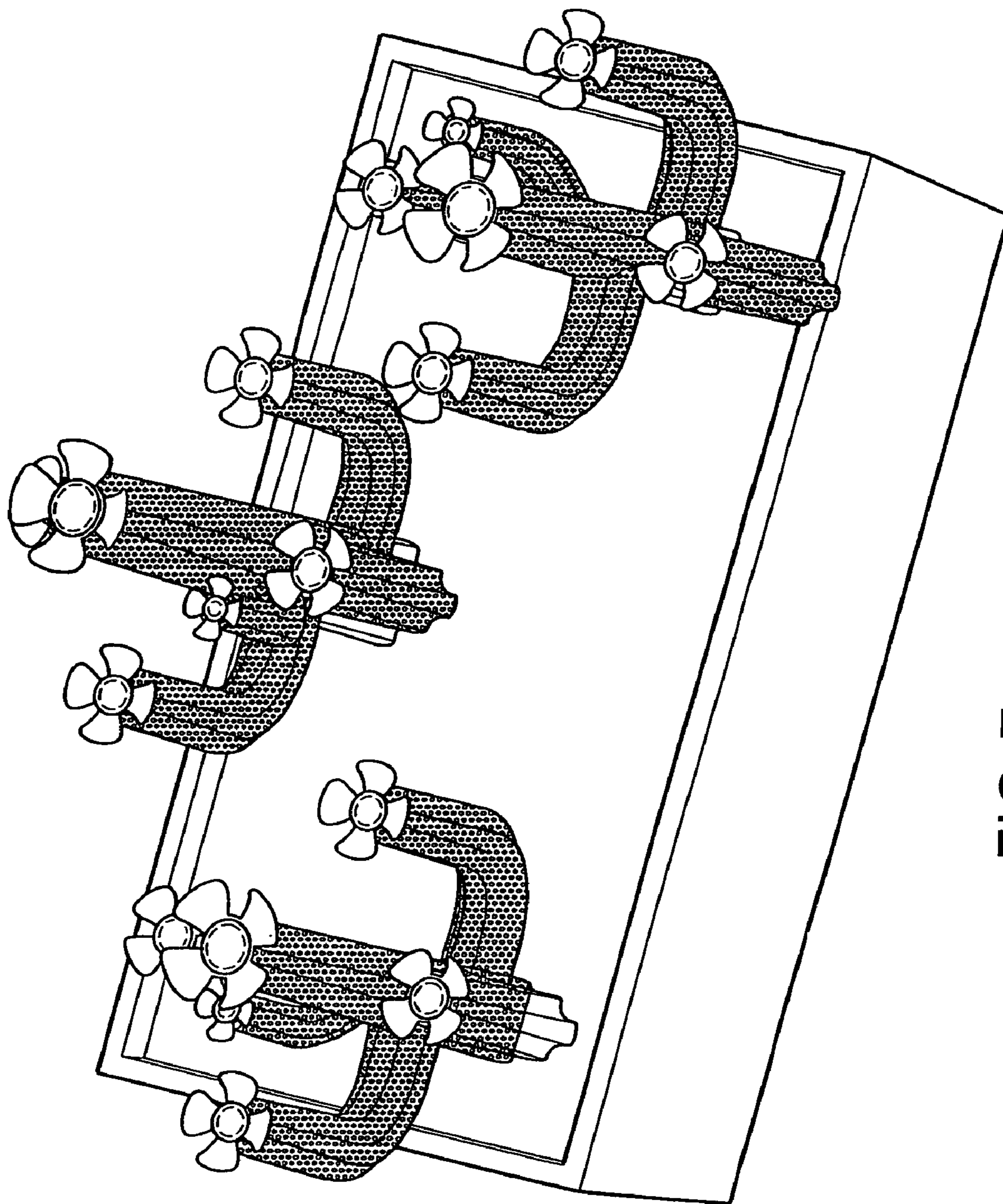


FIG. 7