



US00D616531S

(12) **United States Design Patent**
Gilbert

(10) **Patent No.:** **US D616,531 S**

(45) **Date of Patent:** **** May 25, 2010**

(54) **HANDLE**

(75) **Inventor:** **Christopher Jon Gilbert**, Moreland Hills, OH (US)

(73) **Assignee:** **Moen Incorporated**, North Olmsted, OH (US)

(**) **Term:** **14 Years**

(21) **Appl. No.:** **29/333,265**

(22) **Filed:** **Mar. 5, 2009**

(51) **LOC (9) Cl.** **23-01**

(52) **U.S. Cl.** **D23/250**

(58) **Field of Classification Search** D23/238–243, D23/250, 252–254; 4/676–678; 137/801, 137/359; 16/110.1; D8/350–353; D6/550
See application file for complete search history.

(56) **References Cited**

U.S. PATENT DOCUMENTS

D323,549 S	1/1992	Haug et al.	
D336,946 S	6/1993	Levien	
D380,811 S	7/1997	Gottwald	
D388,865 S	1/1998	Fleischmann	
D390,922 S	2/1998	Oswaks et al.	
D420,104 S	2/2000	Lobermeier	
D430,651 S	9/2000	Fiegl et al.	
D434,121 S	11/2000	Donath, Jr. et al.	
D443,034 S	5/2001	Spangler	
D443,035 S	5/2001	Spangler	
D445,880 S	7/2001	Wen	
D446,285 S	8/2001	Tzeng	
D460,161 S	7/2002	Green et al.	
D460,998 S *	7/2002	Wurth D23/252
D464,119 S	10/2002	Blomstrom	
D464,401 S	10/2002	Wurth	

D465,267 S	11/2002	Wurth	
D484,219 S	12/2003	Spangler	
6,736,369 B2	5/2004	Lenart et al.	
D520,855 S	5/2006	Osiecki et al.	
D524,422 S *	7/2006	Schaffeld et al. D23/252
D524,913 S	7/2006	Chu et al.	
D531,272 S	10/2006	Lord et al.	
2002/0124309 A1	9/2002	Donath, Jr. et al.	

OTHER PUBLICATIONS

Moen Commercial Specification sheet, Model 8884 (Chrome), one page, dated Mar. 2007.

Moen Commercial Specification sheet, Model 8886 (Chrome), one page, dated Mar. 2007.

Moen Commercial Specification sheet, Model 8889 (Chrome), one page, dated Mar. 2007.

* cited by examiner

Primary Examiner—Robert A Delehanty

(74) *Attorney, Agent, or Firm*—Calfee, Halter & Griswold LLP

(57) **CLAIM**

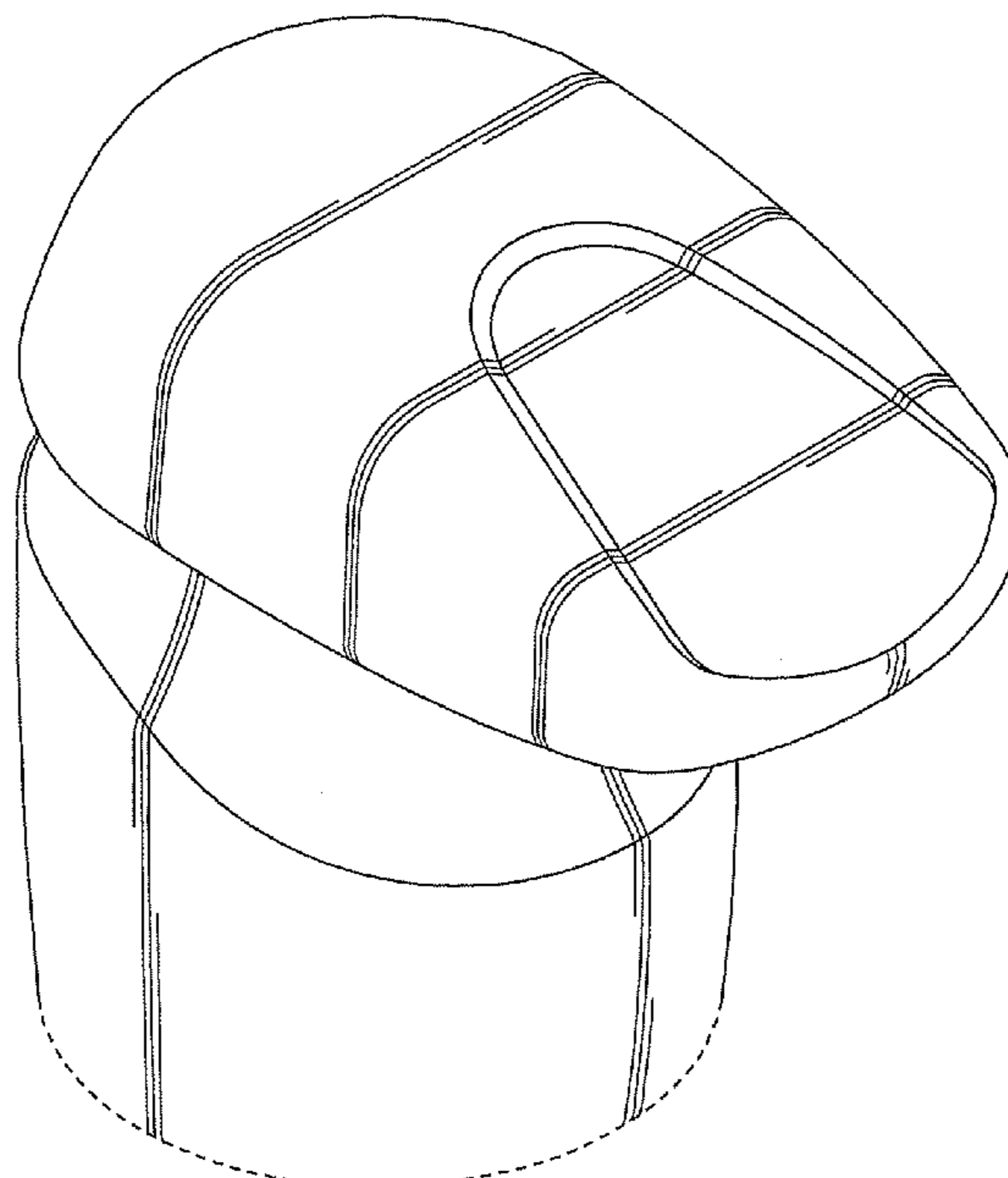
The ornamental design for a handle, as shown and described.

DESCRIPTION

FIG. 1 is a perspective view of a handle of the new design; FIG. 2 is a front elevational view of the handle of FIG. 1; FIG. 3 is a rear elevational view of the handle of FIG. 1; FIG. 4 is a left side elevational view of the handle of FIG. 1, the right side elevational view being a mirror image; and, FIG. 5 is a top plan view of the handle of FIG. 1.

The portions of the Figures shown in broken lines are not part of the claimed design and are for illustration only.

1 Claim, 4 Drawing Sheets



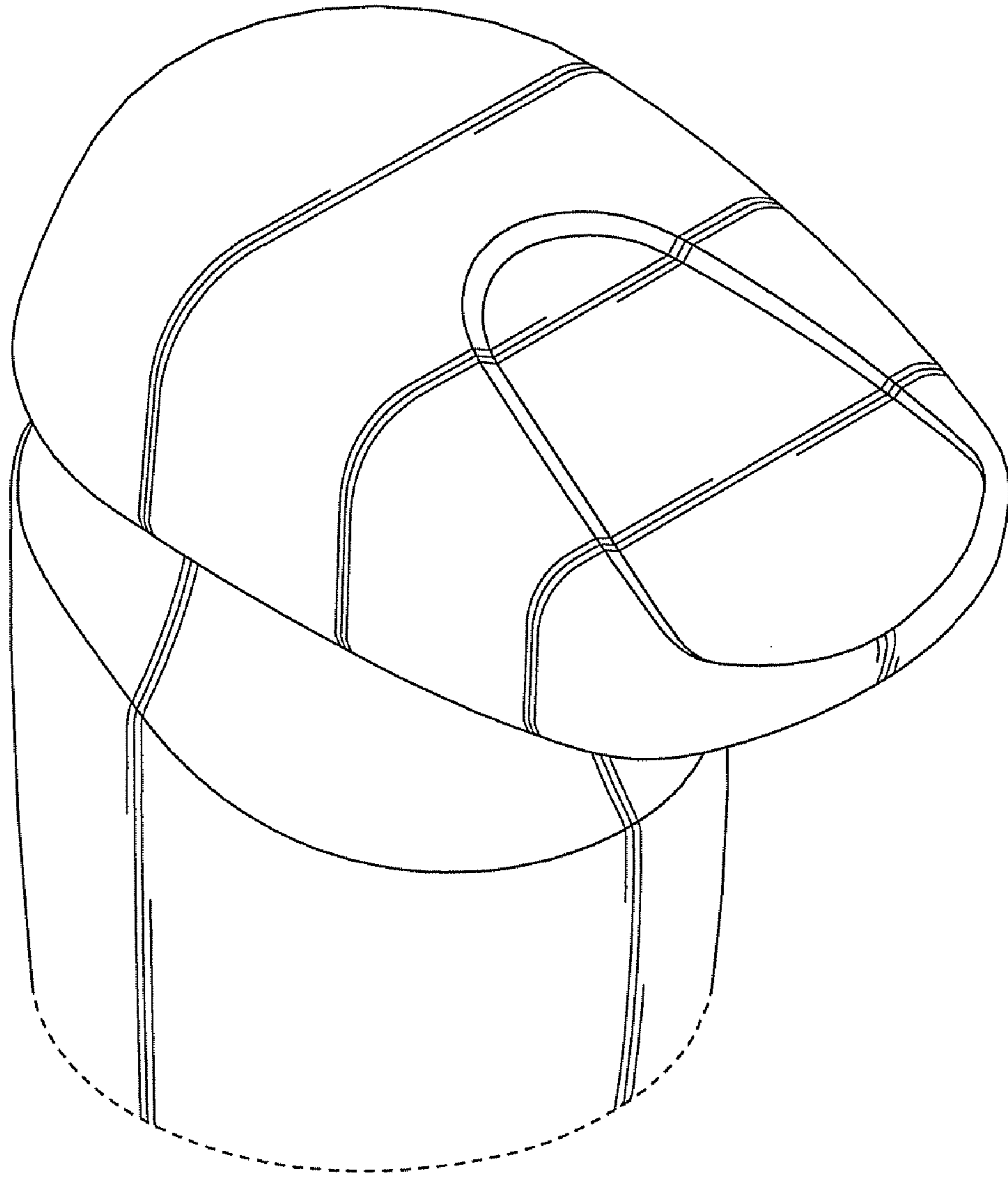


FIG. 1

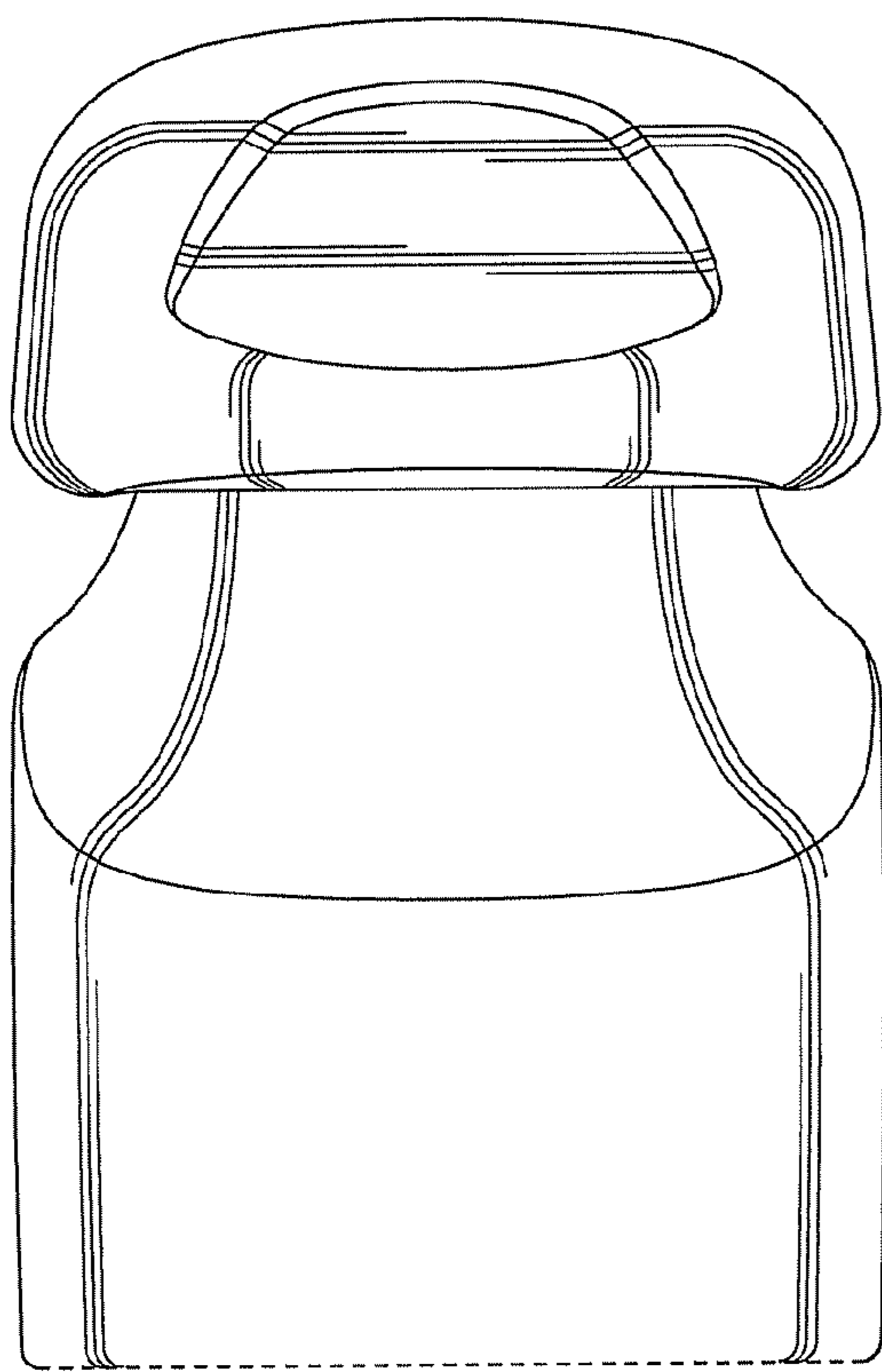


FIG. 2

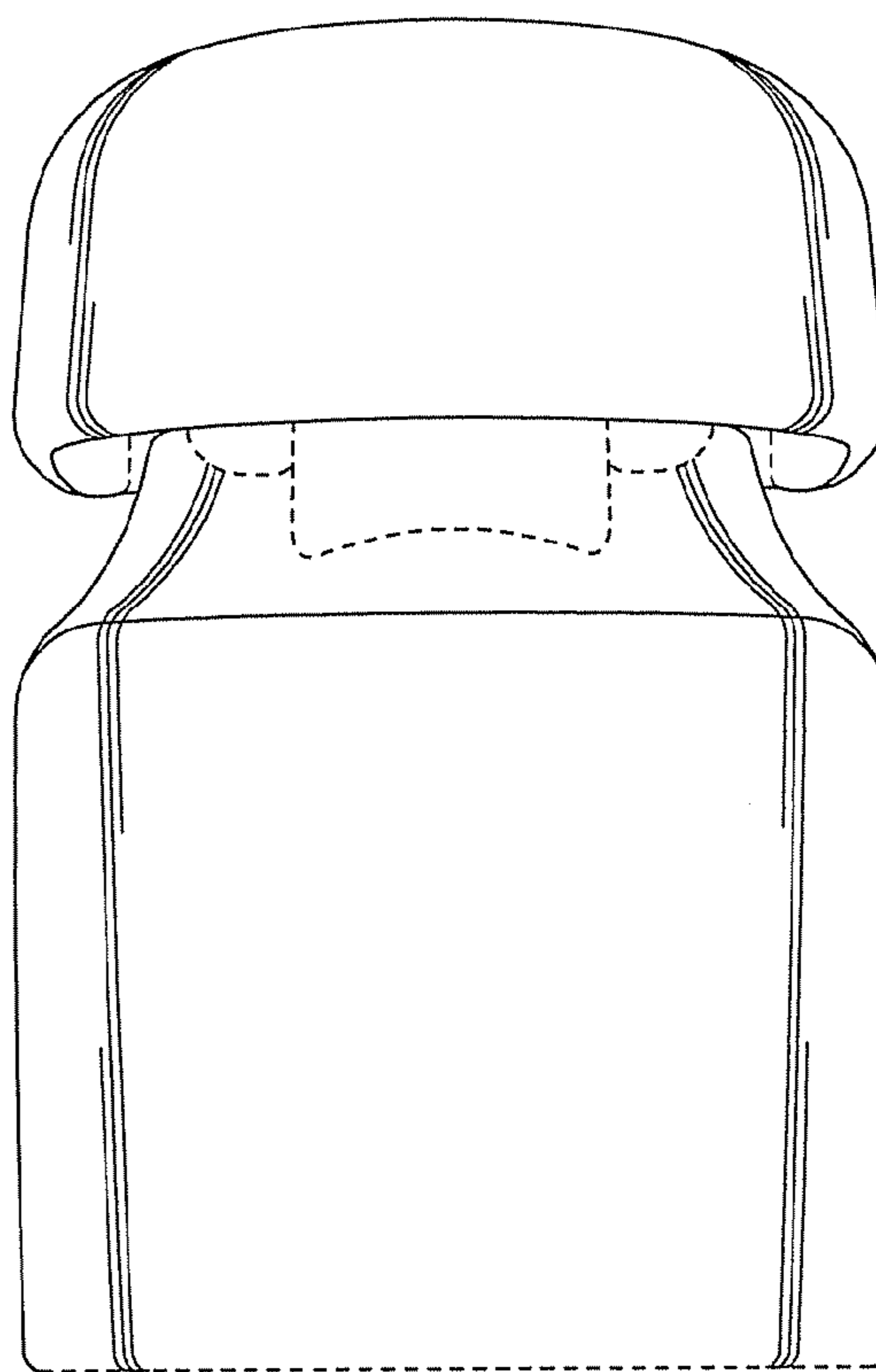


FIG. 3

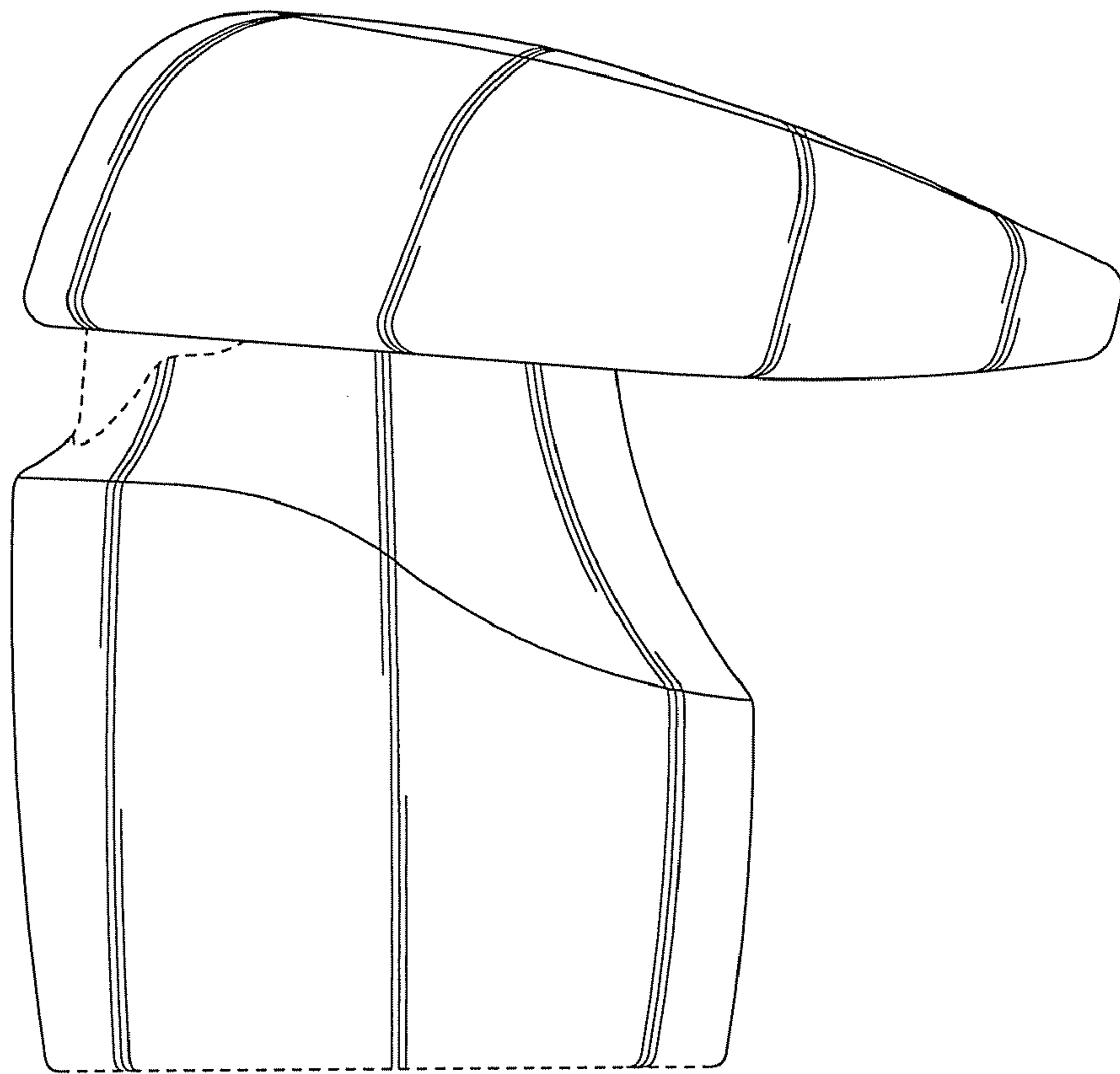


FIG. 4

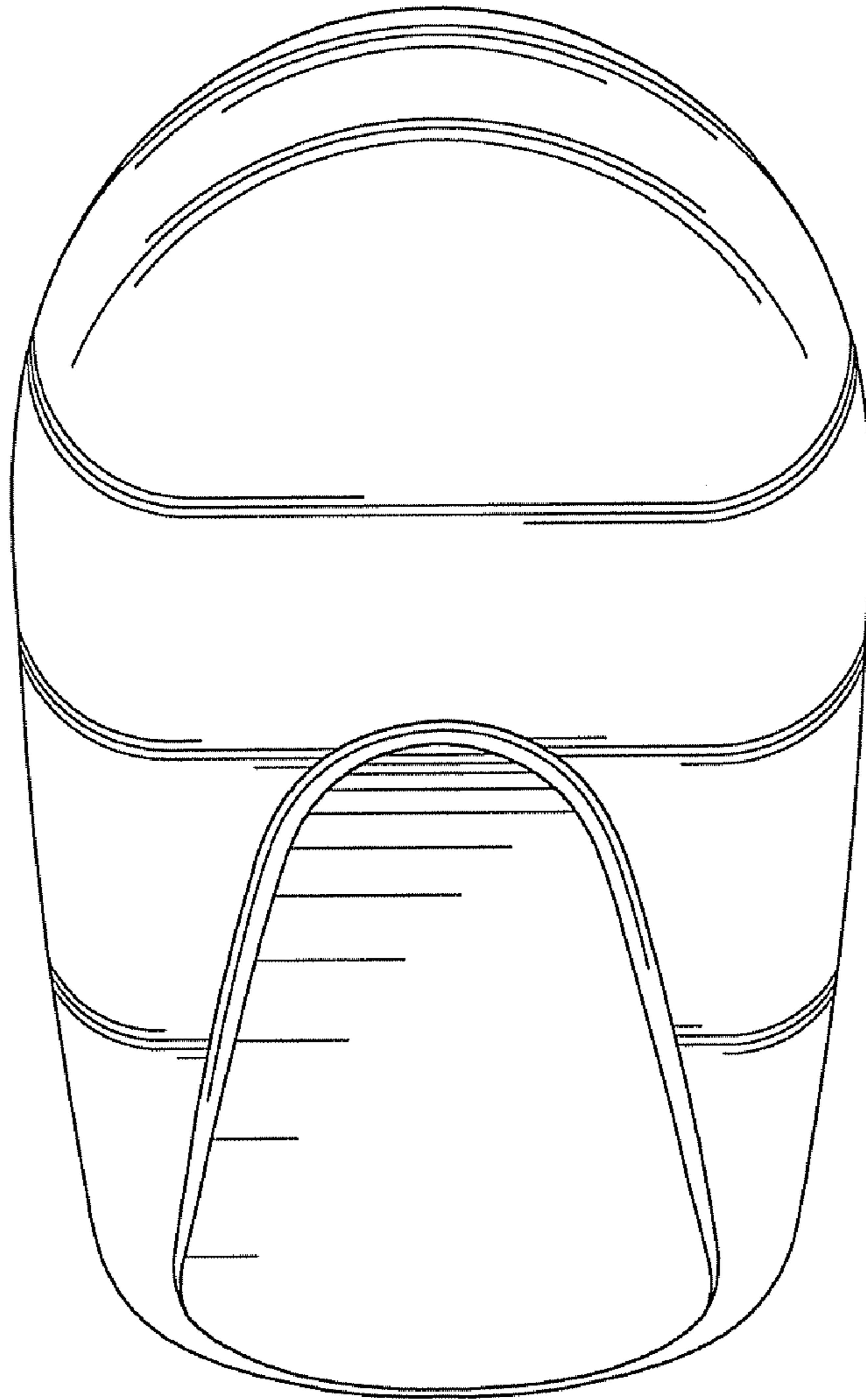


FIG. 5