



US00D616529S

(12) **United States Design Patent**
Gaertner

(10) **Patent No.:** **US D616,529 S**

(45) **Date of Patent:** **** May 25, 2010**

(54) **SWITCHING VALVE**

(75) Inventor: **Frank Th. Gaertner**, Mannheim (DE)

(73) Assignee: **Buerkert Werke GmbH & Co. KG**
(DE)

(**) Term: **14 Years**

(21) Appl. No.: **29/338,748**

(22) Filed: **Jun. 17, 2009**

Related U.S. Application Data

(62) Division of application No. 29/247,313, filed on Jun. 9, 2006.

Foreign Application Priority Data

(30) Dec. 9, 2005 (DE) 405 06 320

(51) **LOC (9) Cl.** **23-01**

(52) **U.S. Cl.** **D23/244**

(58) **Field of Classification Search** D23/233-237,
D23/244-249; 251/174, 304, 297; 62/324.1,
62/324.6; 137/309-311, 222, 246, 538, 597,
137/625.22, 625.46, 625.64, 625.68, 625.65,
137/460, 498, 881, 883, 870

See application file for complete search history.

(56) **References Cited**

U.S. PATENT DOCUMENTS

- 3,779,268 A * 12/1973 Conkling 137/113
- 3,857,410 A * 12/1974 Bedo et al. 137/625.27
- 4,442,864 A * 4/1984 Kosugi 137/625.27
- D287,044 S * 12/1986 Hughes D23/248
- 4,842,016 A * 6/1989 McKenzie 137/597
- 5,088,194 A * 2/1992 Lasko 29/890.148
- 5,878,782 A * 3/1999 Nakajima 137/625.65

- 5,881,770 A * 3/1999 Neill et al. 137/625.11
- 7,028,713 B2 * 4/2006 Koyama 137/881
- 7,117,895 B2 * 10/2006 Koyama 137/881
- D558,859 S * 1/2008 Kato et al. D23/233

* cited by examiner

Primary Examiner—Cathron C. Brooks

Assistant Examiner—Maurice Stevens

(74) *Attorney, Agent, or Firm*—Hayes Soloway P.C.

(57) **CLAIM**

The ornamental design for a switching valve, as shown and described.

DESCRIPTION

FIG. 1 is a side elevational view of a switching valve showing my new design;

FIG. 2 is a view similar to FIG. 1 rotated 180 degrees;

FIG. 3 is a view similar to FIG. 1 rotated 270 degrees;

FIG. 4 is a view similar to FIG. 1 rotated 90 degrees;

FIG. 5 is a top plan view thereof;

FIG. 6 is a bottom plan view thereof;

FIG. 7 is a side elevational view of a second embodiment of a switching valve showing my new design;

FIG. 8 is a view similar to FIG. 7 rotated 180 degrees;

FIG. 9 is a view similar to FIG. 7 rotated 270 degrees;

FIG. 10 is a view similar to FIG. 7 rotated 90 degrees;

FIG. 11 is a top plan view thereof; and,

FIG. 12 is a bottom plan view thereof.

The broken line showing of unclaimed portions of the switching valve form no part of the claimed design.

1 Claim, 10 Drawing Sheets

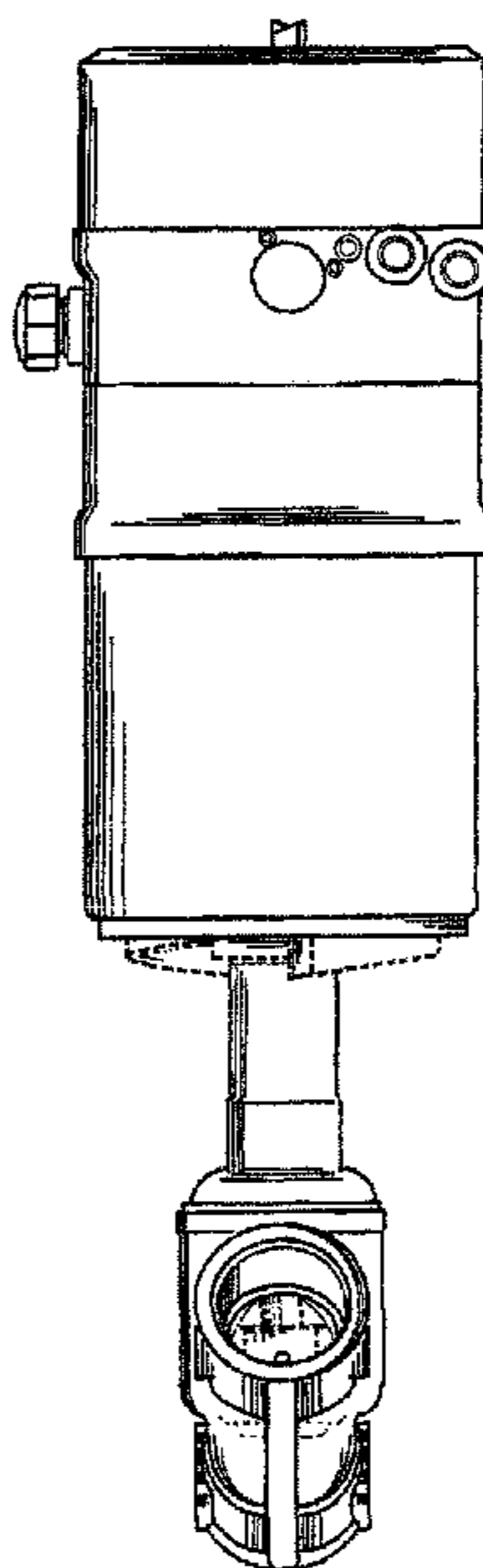


FIG. 1

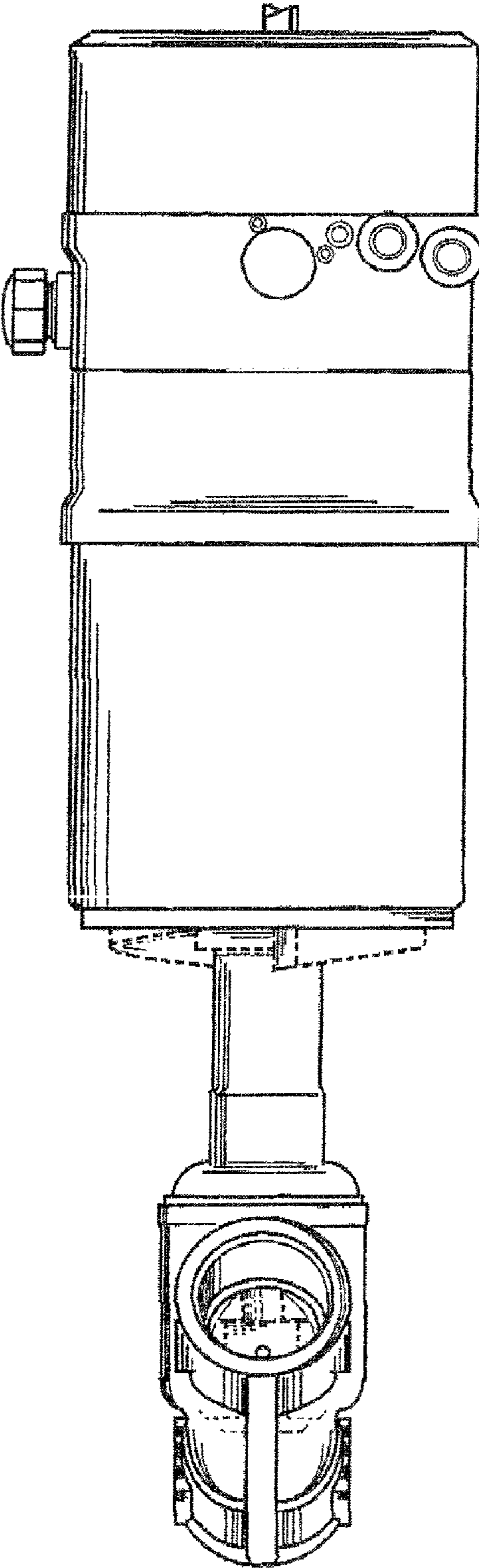


FIG. 2

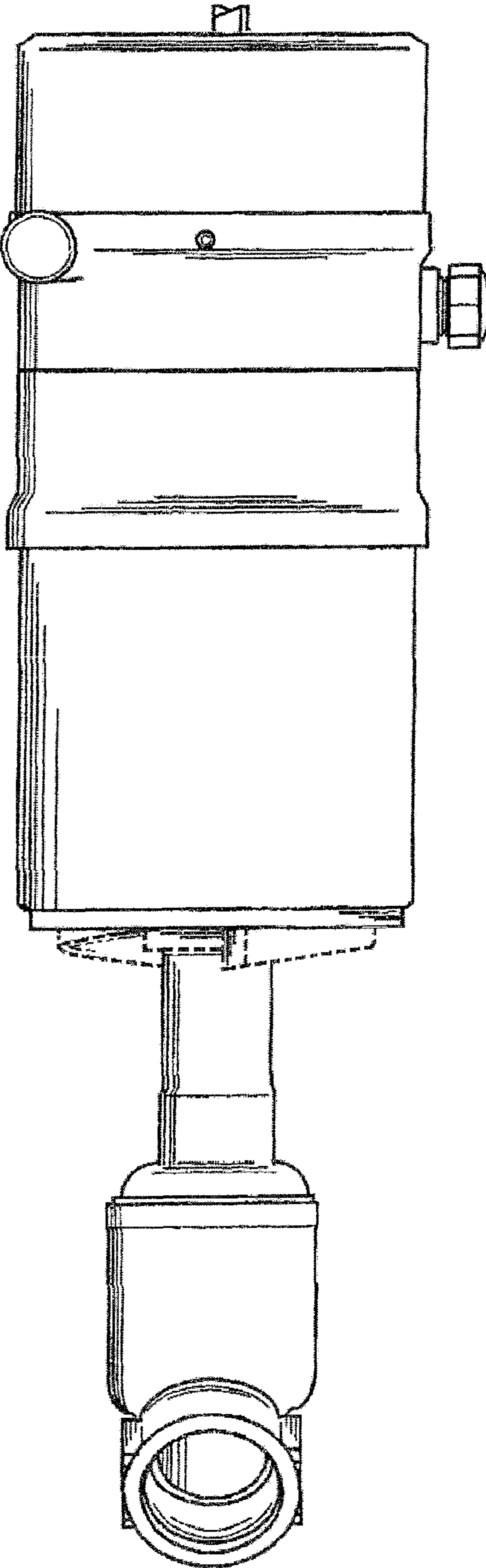


FIG. 3

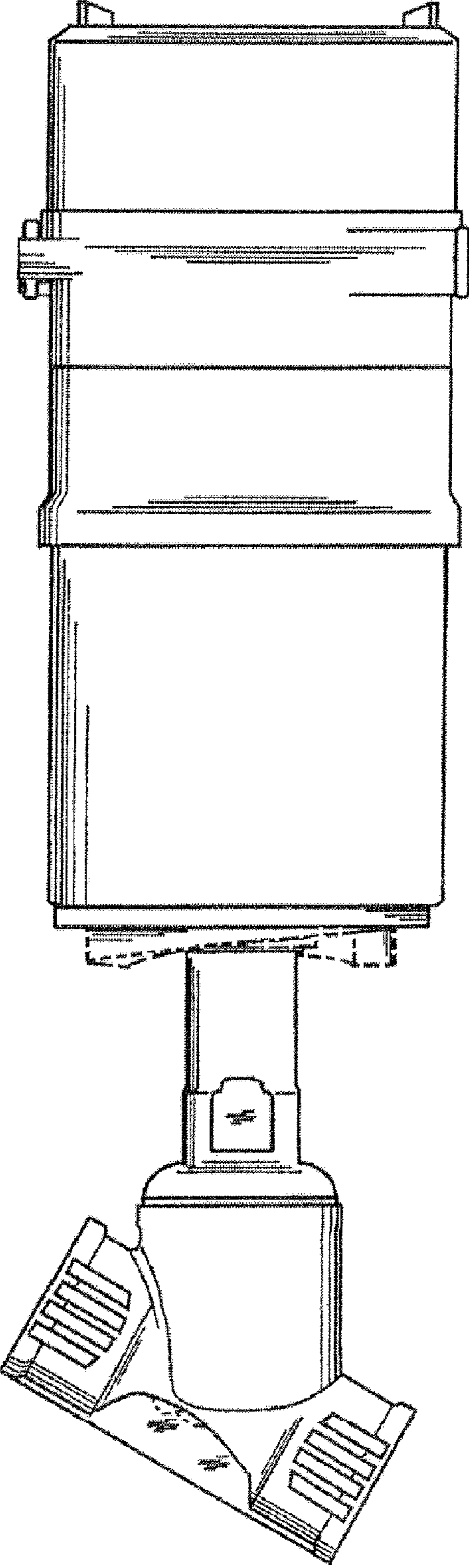


FIG. 4

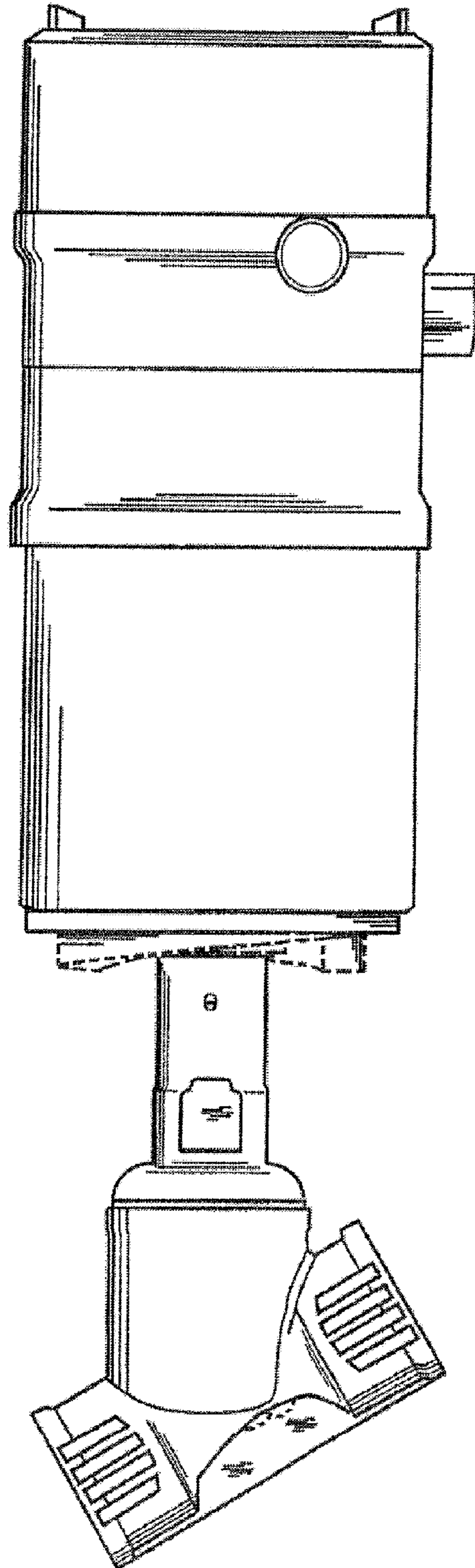


FIG. 5



FIG. 6

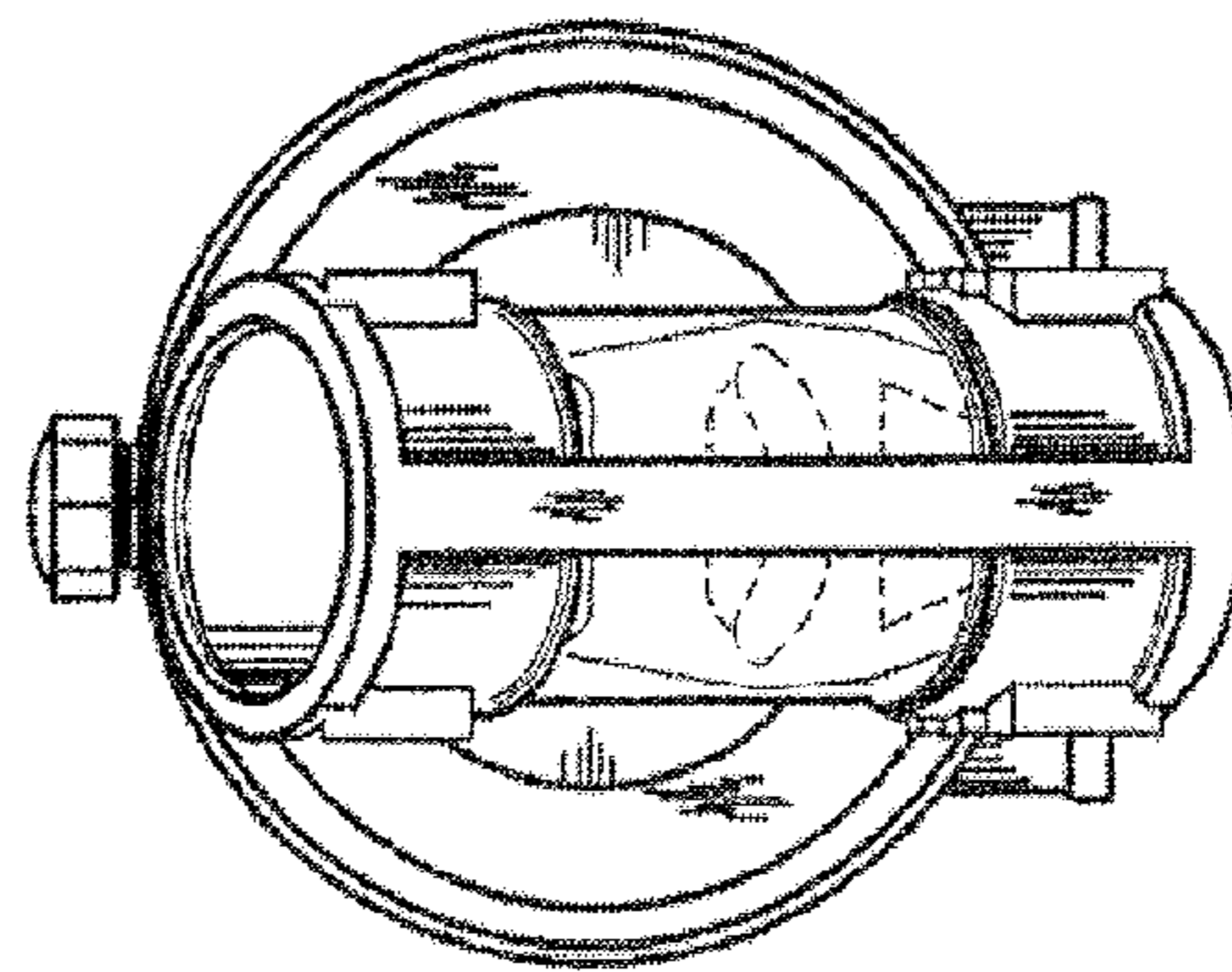


FIG. 7

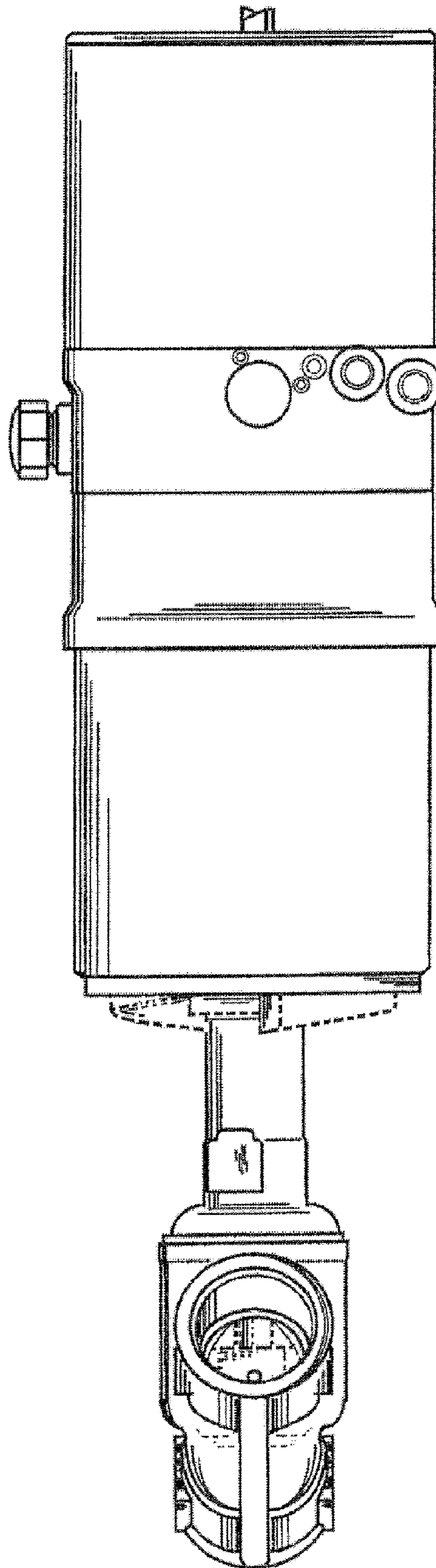


FIG. 8

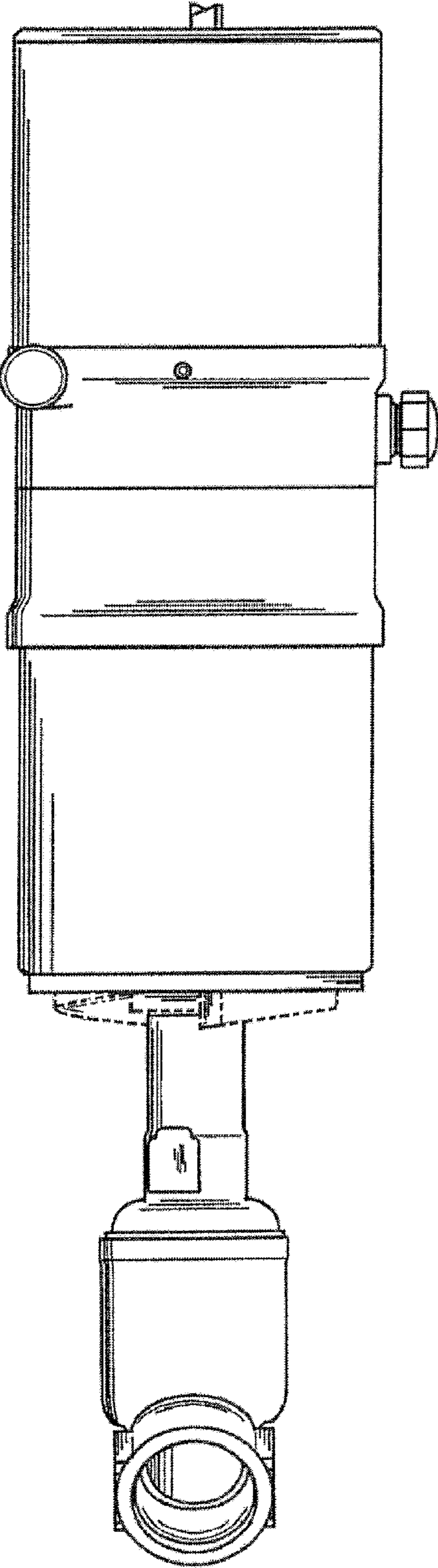


FIG. 9

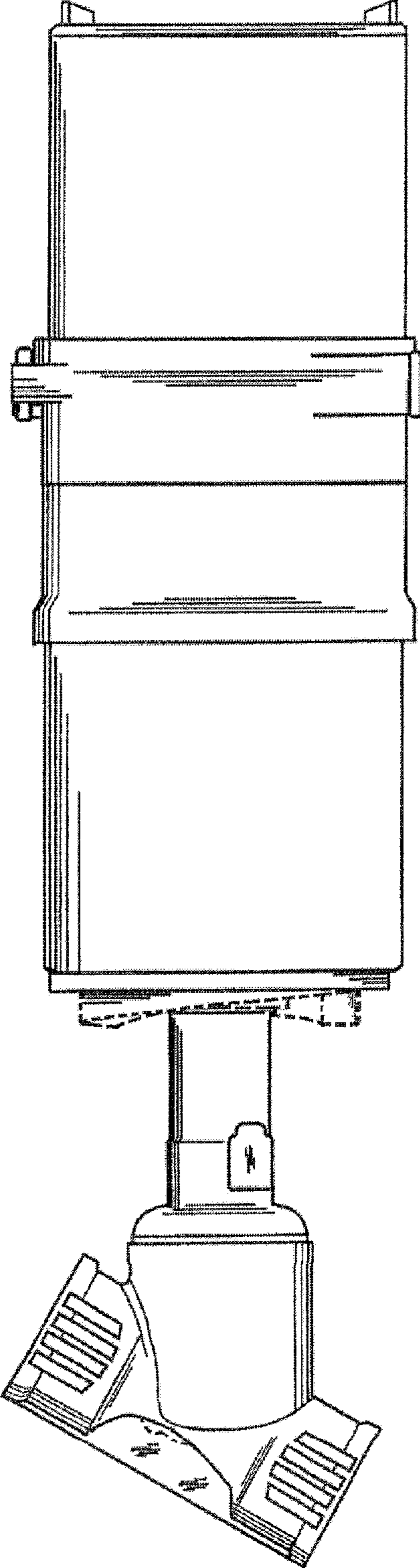


FIG. 10

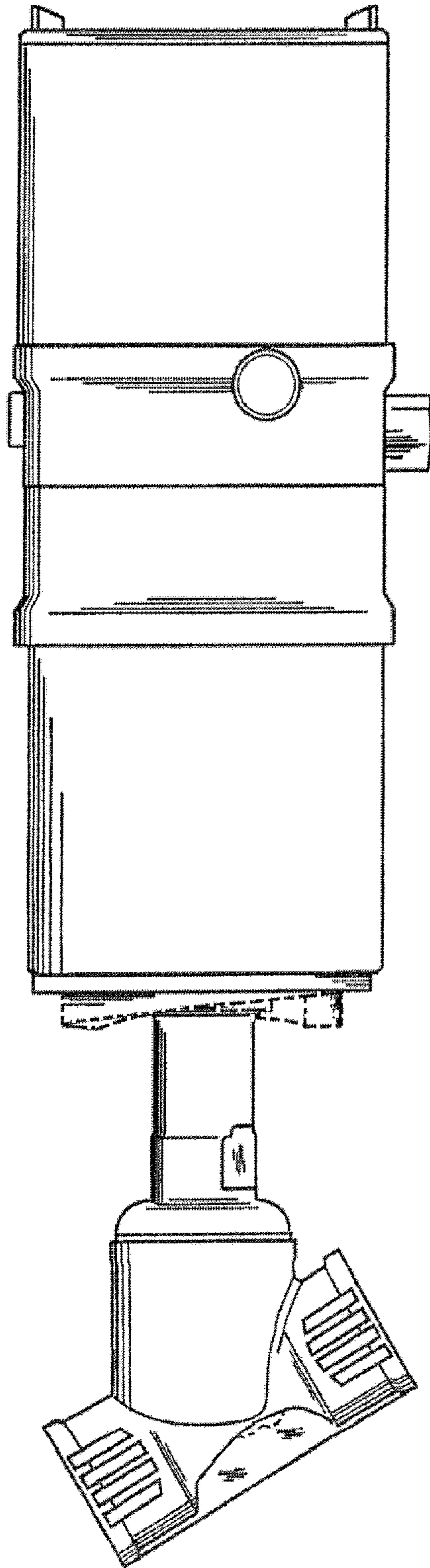


FIG. 11

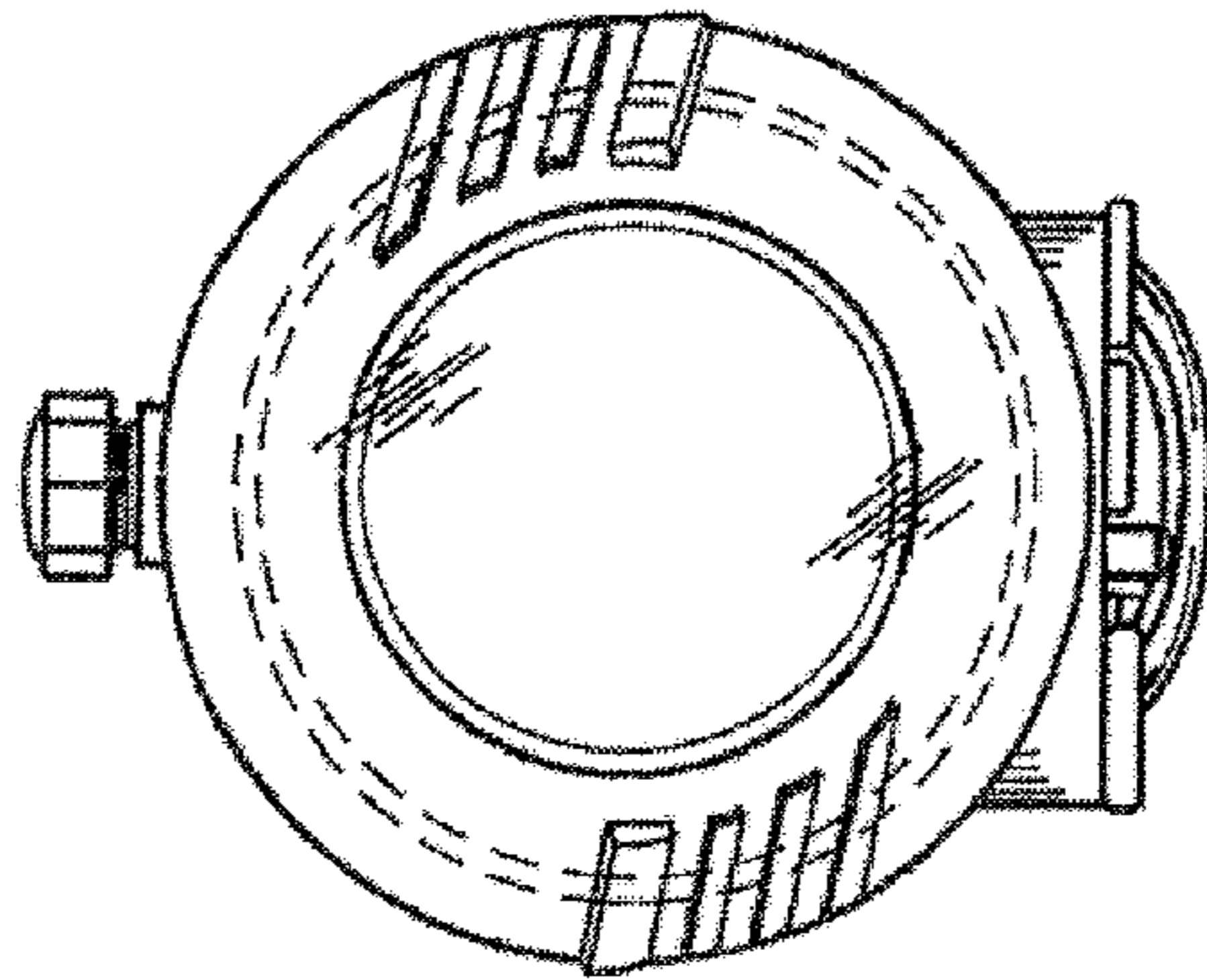


FIG. 12

