



US00D616528S

(12) **United States Design Patent**
Schmidt et al.

(10) **Patent No.:** **US D616,528 S**

(45) **Date of Patent:** **** May 25, 2010**

(54) **DETECTOR FOR DETECTING THE ANGULAR POSITION OF A ROTATABLE SHAFT**

4,365,121 A * 12/1982 Morita et al. 200/61.27
4,663,601 A * 5/1987 Troutman et al. 335/207

(75) Inventors: **Karoline Schmidt**, Esslingen (DE);
Eberhard Kunze, Neuffen (DE)

* cited by examiner

(73) Assignee: **Festo AG & Co. KG**, Esslingen (DE)

Primary Examiner—Cathron C. Brooks

Assistant Examiner—Maurice Stevens

(**) Term: **14 Years**

(74) *Attorney, Agent, or Firm*—Hoffmann & Baron, LLP

(21) Appl. No.: **29/312,173**

(57) **CLAIM**

(22) Filed: **Oct. 3, 2008**

The ornamental design for a detector for detecting the angular position of a rotatable shaft, as shown and described.

(30) **Foreign Application Priority Data**

Apr. 7, 2008 (EM) 000 910 187-0003

DESCRIPTION

(51) **LOC (9) Cl.** **23-01**

(52) **U.S. Cl.** **D23/233**

(58) **Field of Classification Search** D23/233;
335/151–154, 205–207, 159, 180, 181; 200/61.27–61.38,
200/61.54, 5 A, 5 D, 246, 275, 310, 317,
200/82 E, 83 D; 250/200, 215; 324/174;
340/870.31; 341/15–17, 183, 192; D15/5
See application file for complete search history.

FIG. 1 is a top perspective view of a detector for detecting the angular position of a rotatable shaft showing our new design;

FIG. 2 is a top plan view thereof;

FIG. 3 is a bottom plan view thereof;

FIG. 4 is a front view thereof;

FIG. 5 is a rear view thereof;

FIG. 6 is a right view thereof; and,

FIG. 7 is a left view thereof.

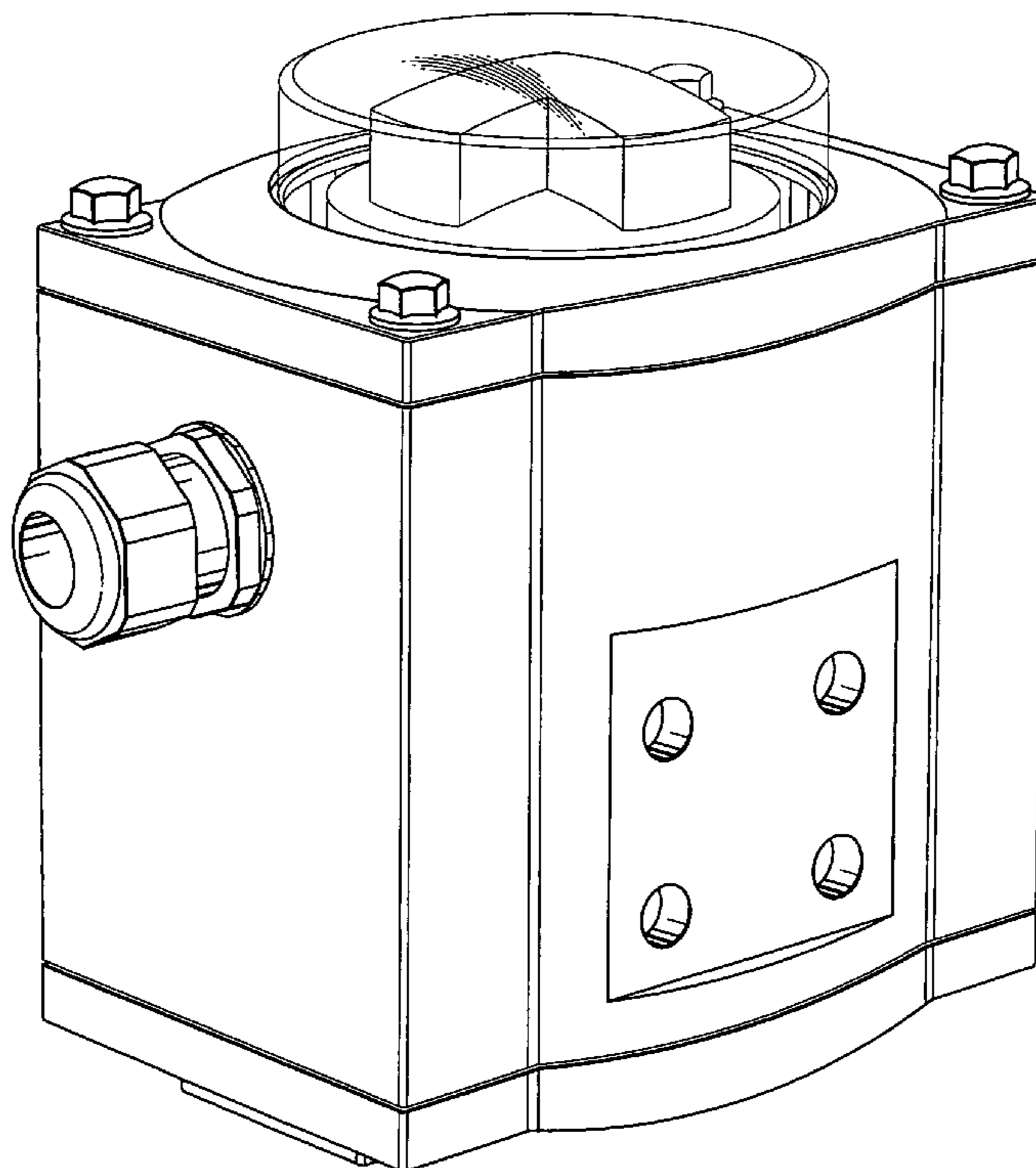
(56) **References Cited**

U.S. PATENT DOCUMENTS

3,587,013 A * 6/1971 Dietrich et al. 335/210

3,934,105 A * 1/1976 Lockard 200/317

1 Claim, 7 Drawing Sheets



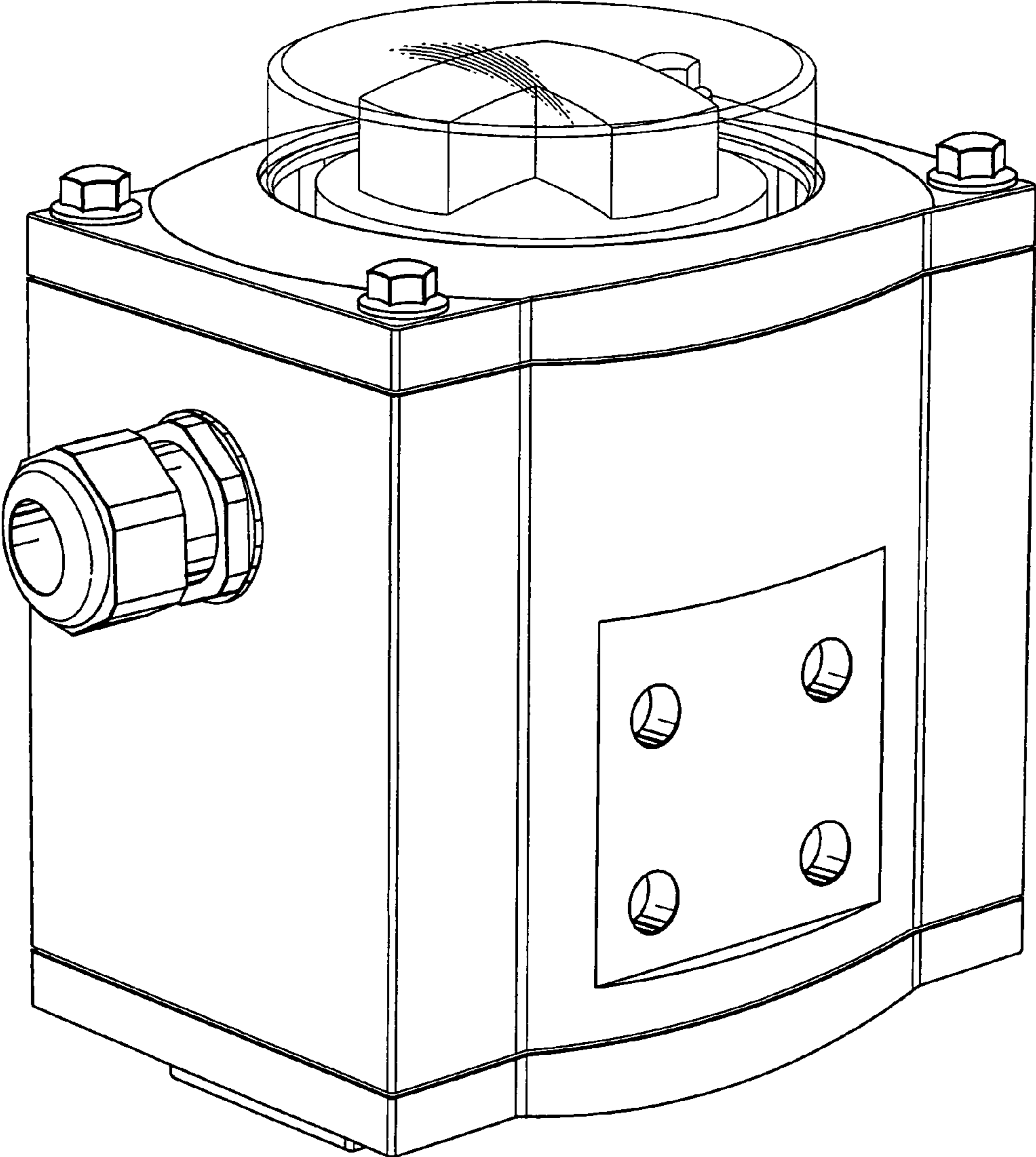


Fig. 1

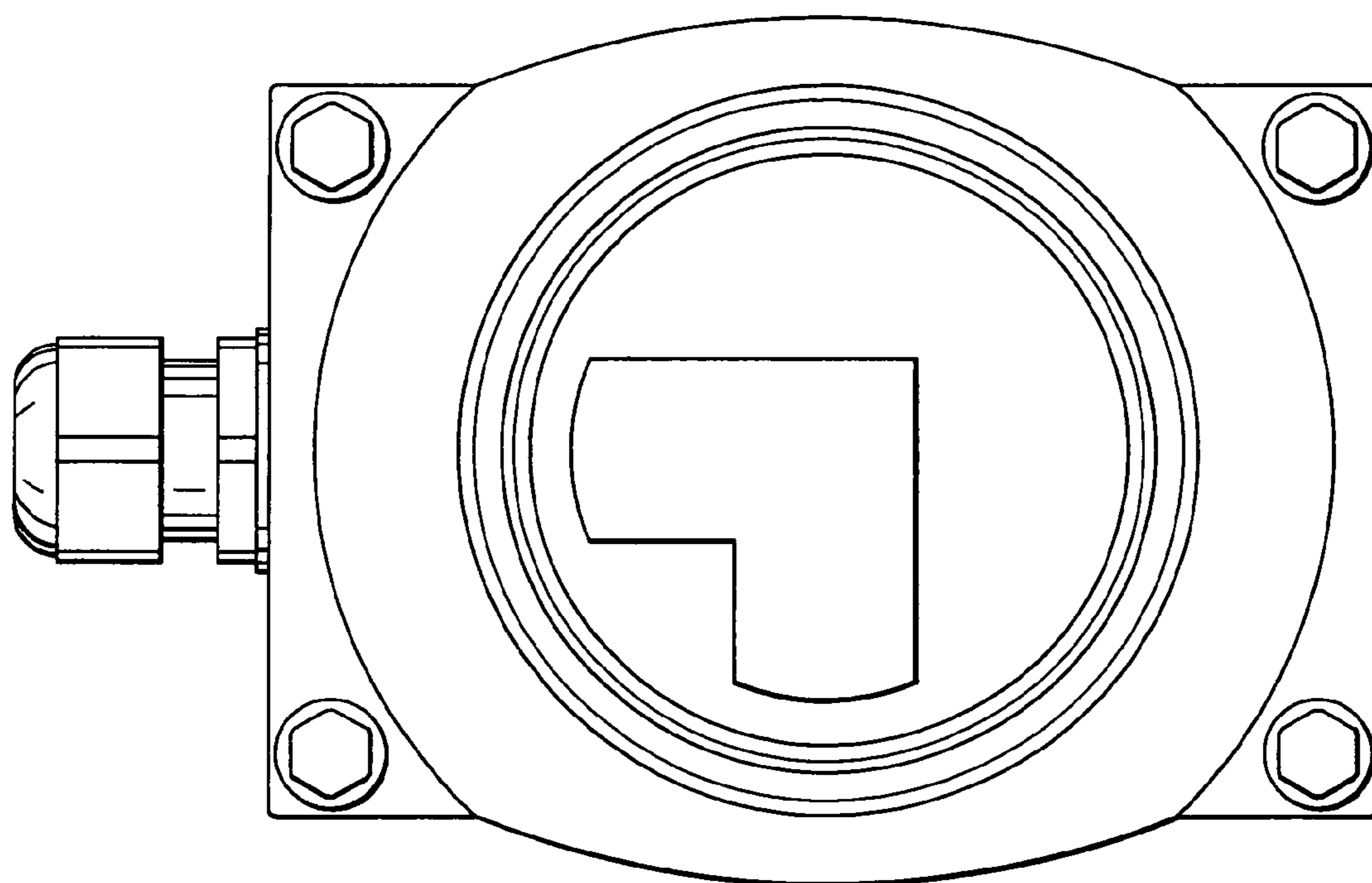


Fig. 2

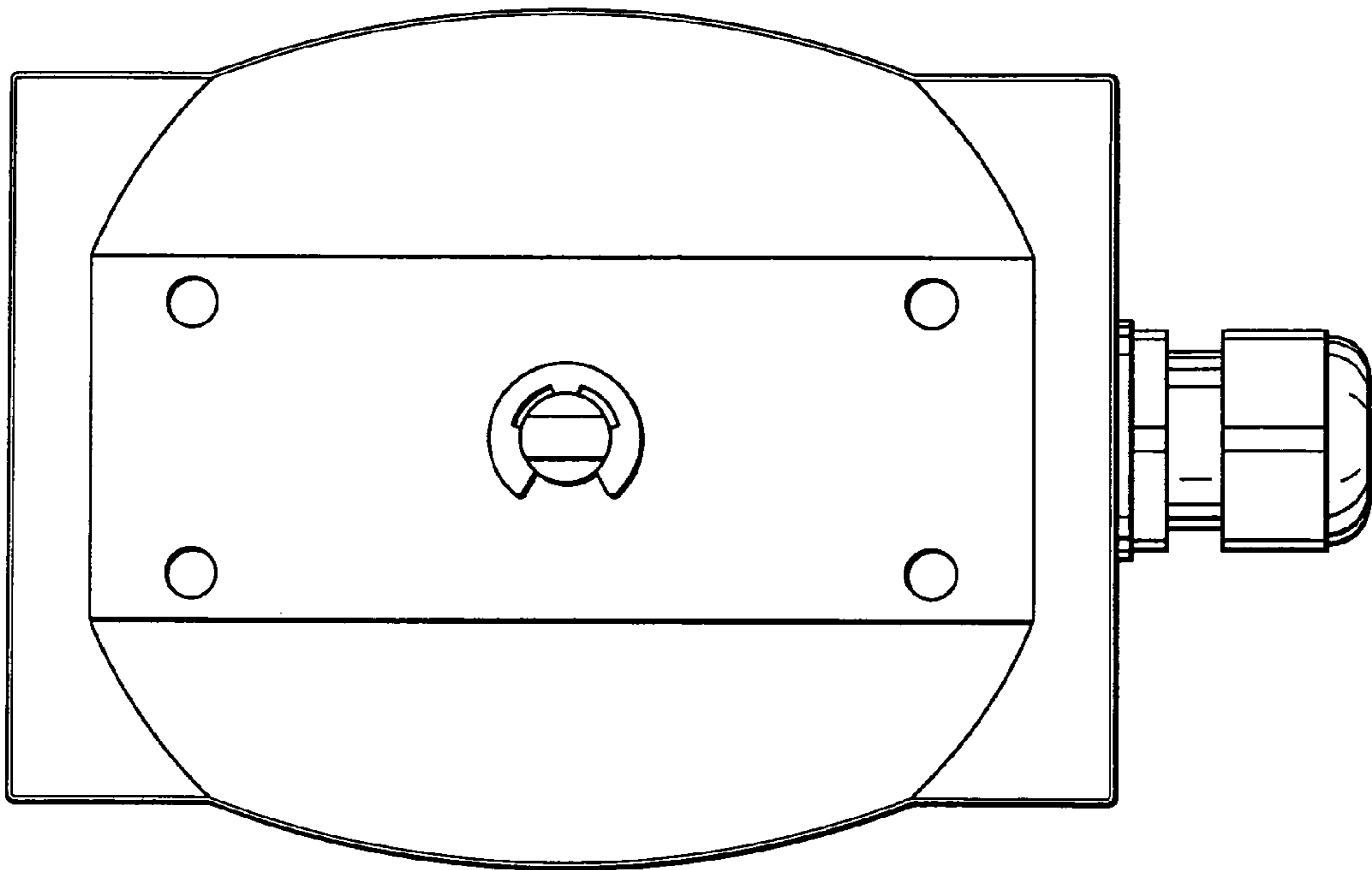


Fig. 3

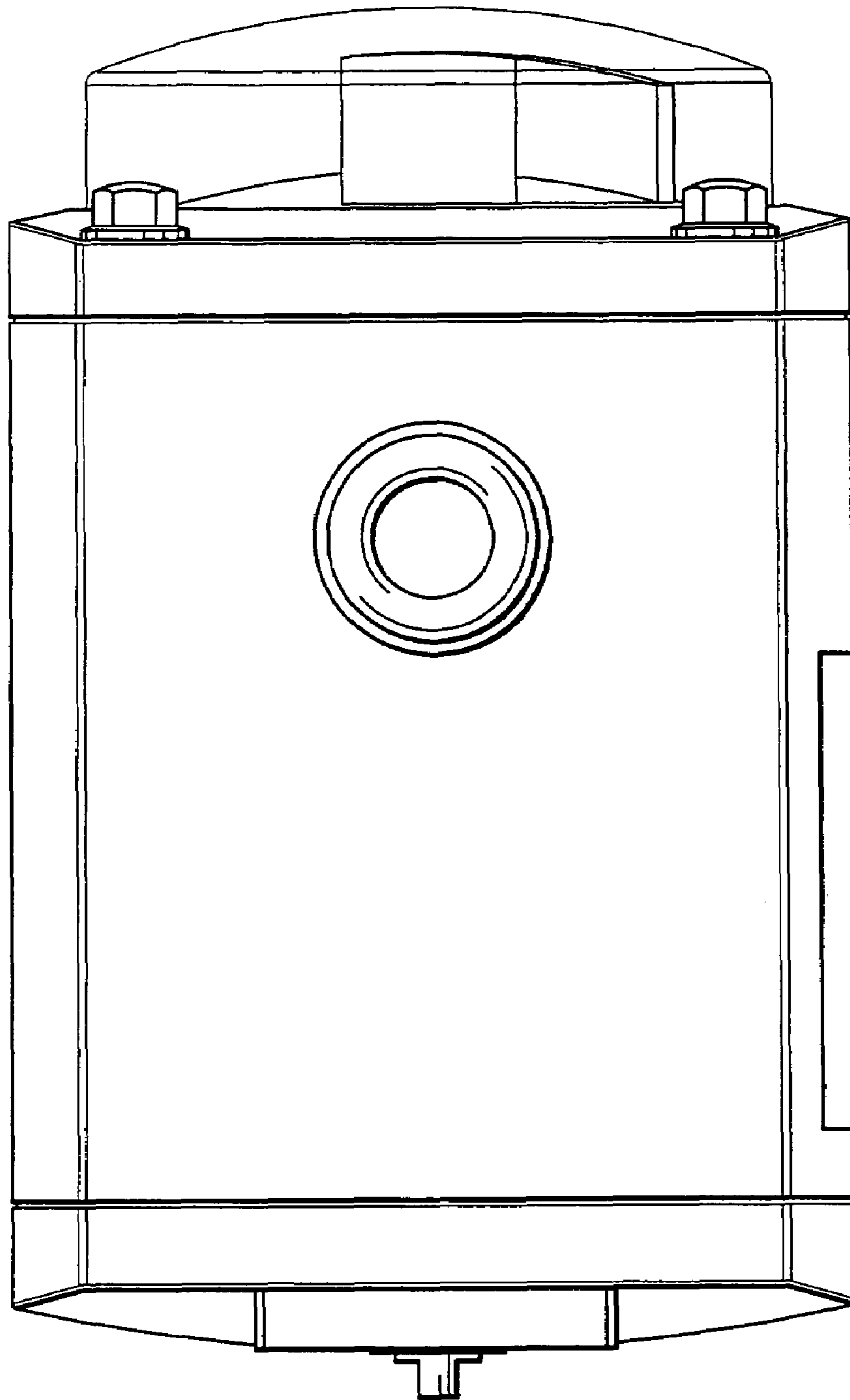


Fig. 4

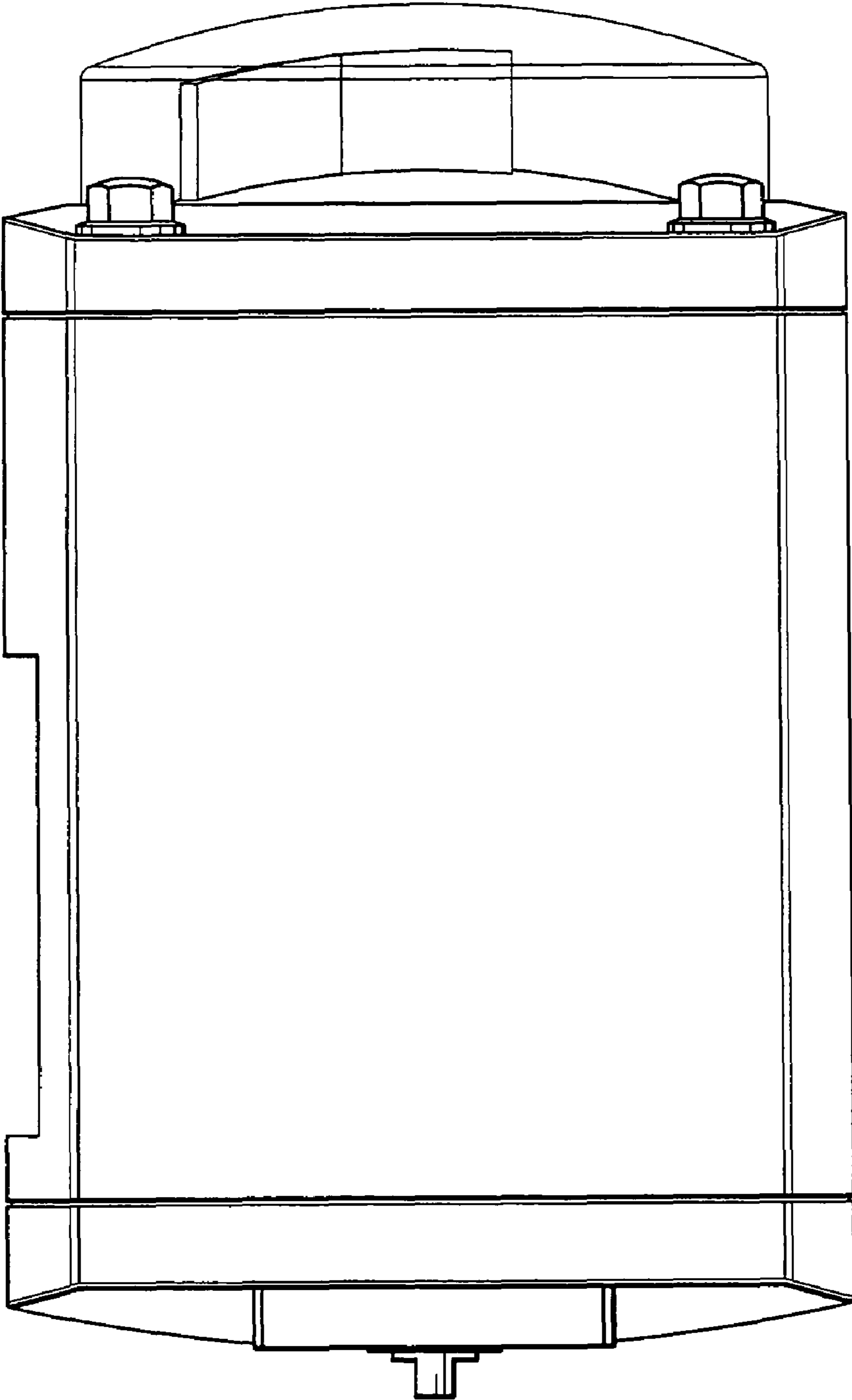


Fig. 5

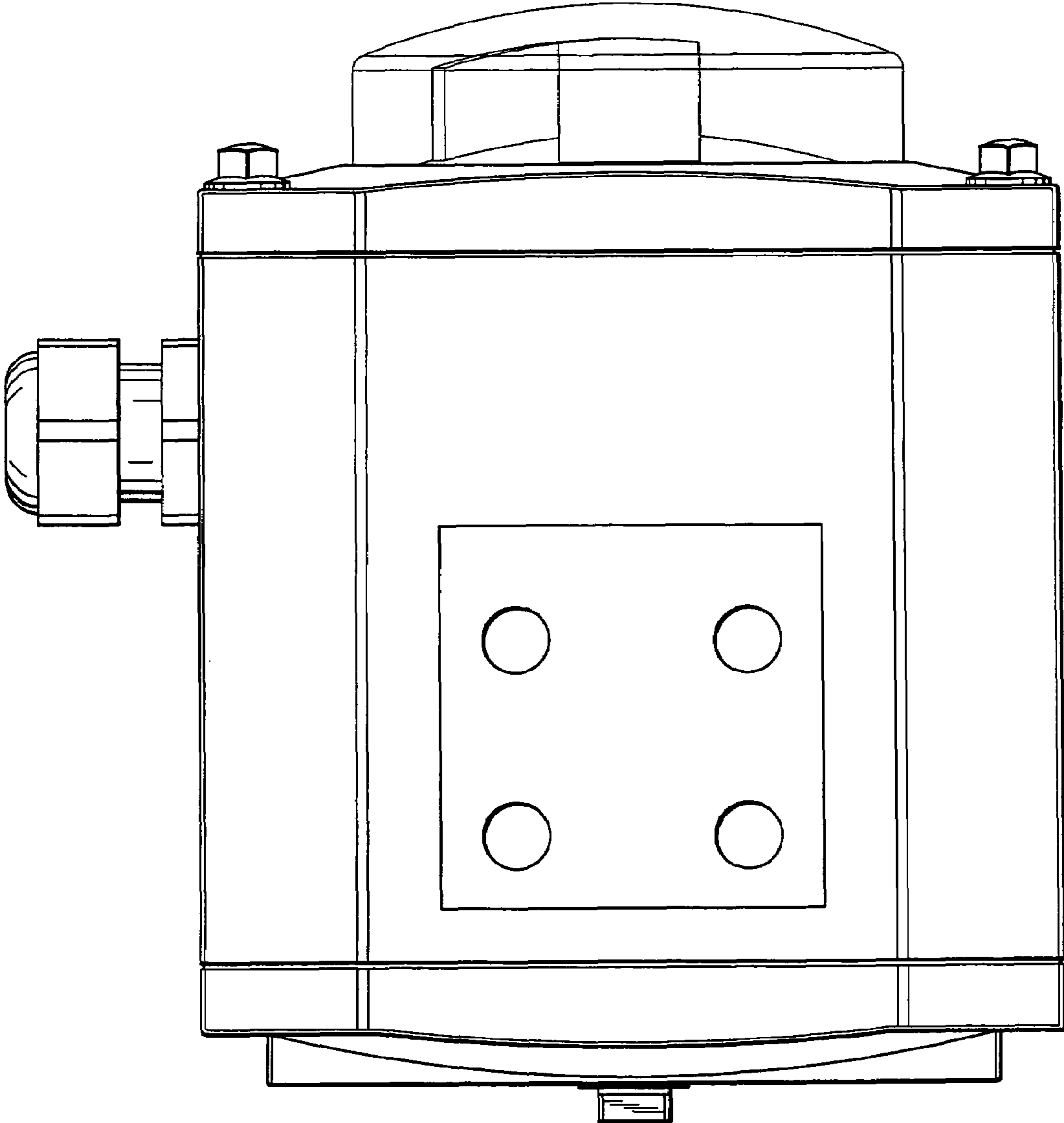


Fig. 6

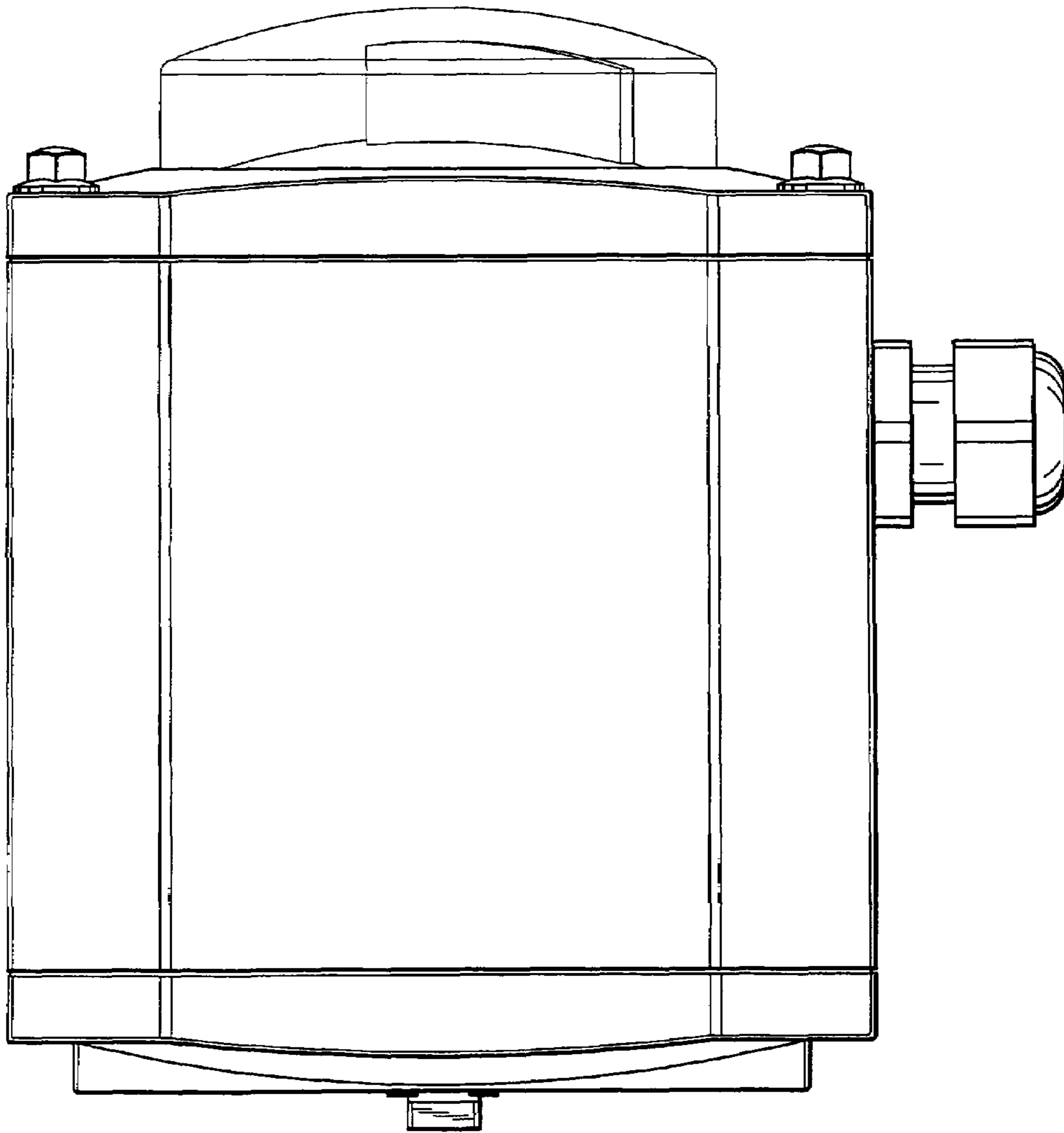


Fig. 7