



US00D616525S

(12) **United States Design Patent**
Easley

(10) **Patent No.:** **US D616,525 S**
(45) **Date of Patent:** **** May 25, 2010**

(54) **RETROFIT FILTRATION SYSTEM**

(74) *Attorney, Agent, or Firm*—Catherine Ashley Straight

(76) **Inventor:** **Wesley R. Easley**, 155 Rollingwood Dr.,
San Rafael, CA (US) 94901

(57) **CLAIM**

The ornamental design for a retrofit filtration system, as shown and described.

(**) **Term:** **14 Years**

(21) **Appl. No.:** **29/341,161**

DESCRIPTION

(22) **Filed:** **Jul. 31, 2009**

FIG. 1 is a perspective view of a retrofit filtration system according to my novel design, said retrofit filtration system shown in environmental on a portable water tank, the broken line representation of said portable water tank shown for illustrative purposes only forming no part of the claimed design;

(51) **LOC (9) Cl.** **23-01**

(52) **U.S. Cl.** **D23/209**

(58) **Field of Classification Search** D23/207,
D23/209; 210/241, 259; D12/1, 14, 101
See application file for complete search history.

FIG. 2 is a front elevational view, thereof;

FIG. 3 is a rear elevational view, thereof;

(56) **References Cited**

U.S. PATENT DOCUMENTS

D350,807 S *	9/1994	Michels	D23/207
D410,726 S *	6/1999	Cook	D23/207
D428,468 S *	7/2000	Dea et al.	D23/207
7,223,337 B1 *	5/2007	Franzino et al.	210/241
D577,415 S *	9/2008	Reid	D23/209
D578,041 S *	10/2008	Prusmack	D12/101

FIG. 4 is right side elevational view, thereof, the left side elevational view thereof being a mirror image;

FIG. 5 is a top plan view, thereof; and,

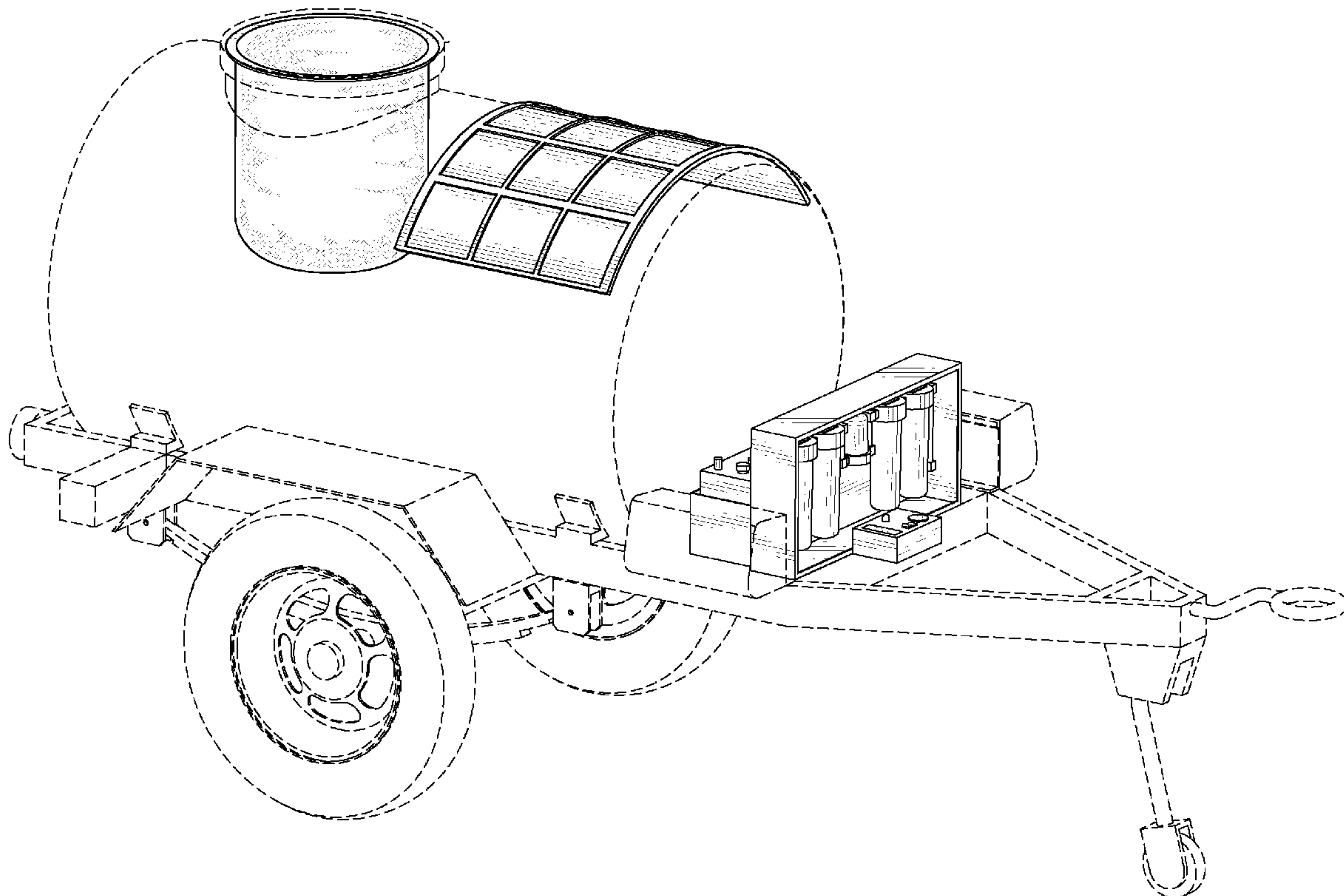
FIG. 6 is a bottom plan view, thereof.

The portable water tank showing the article in environment in FIGS. 1 through 5, inclusive, shown in said Figures in broken lines is included solely for illustrative purposes, and forms no part of the claimed design.

* cited by examiner

Primary Examiner—Robin V Webster

1 Claim, 5 Drawing Sheets



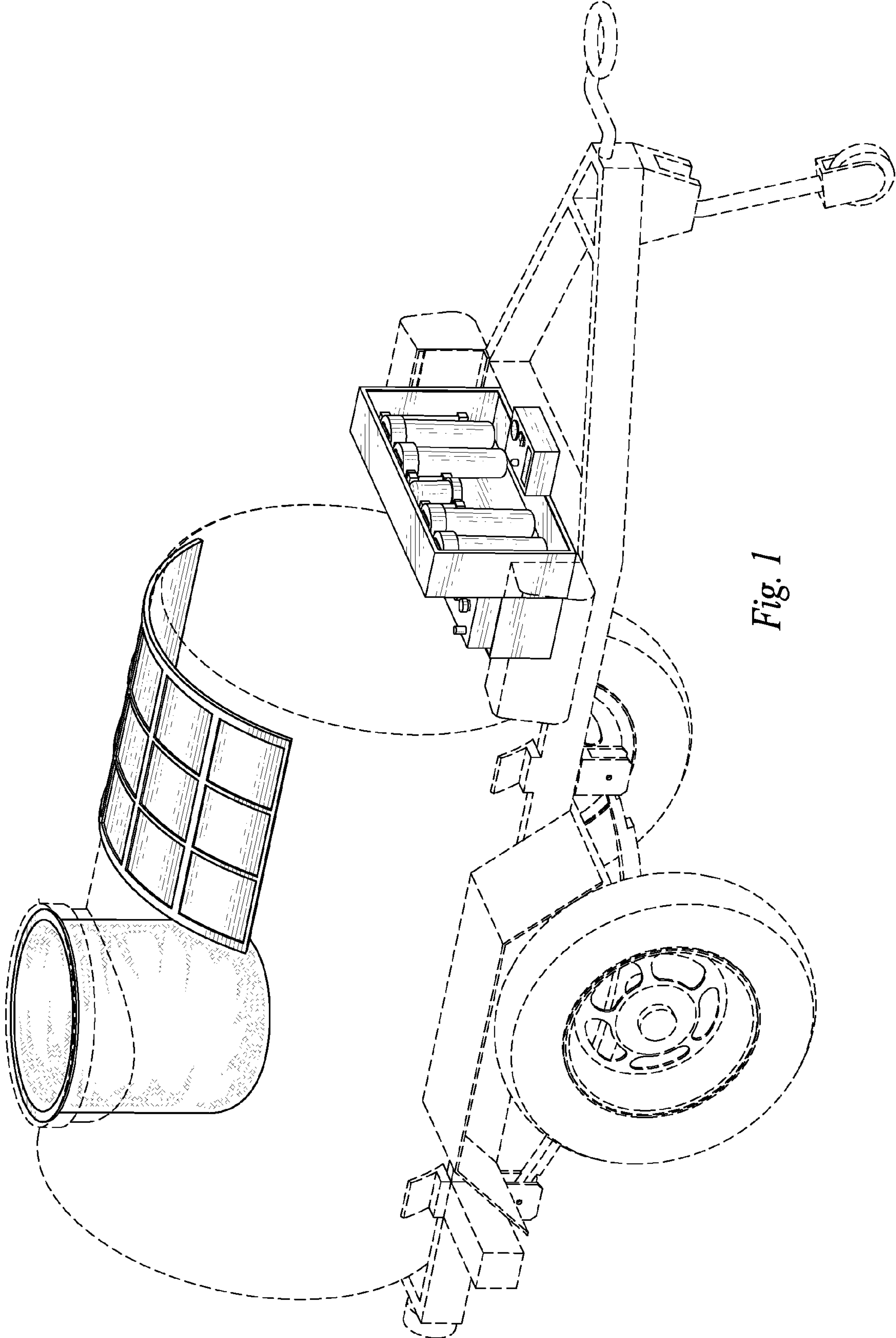


Fig. 1

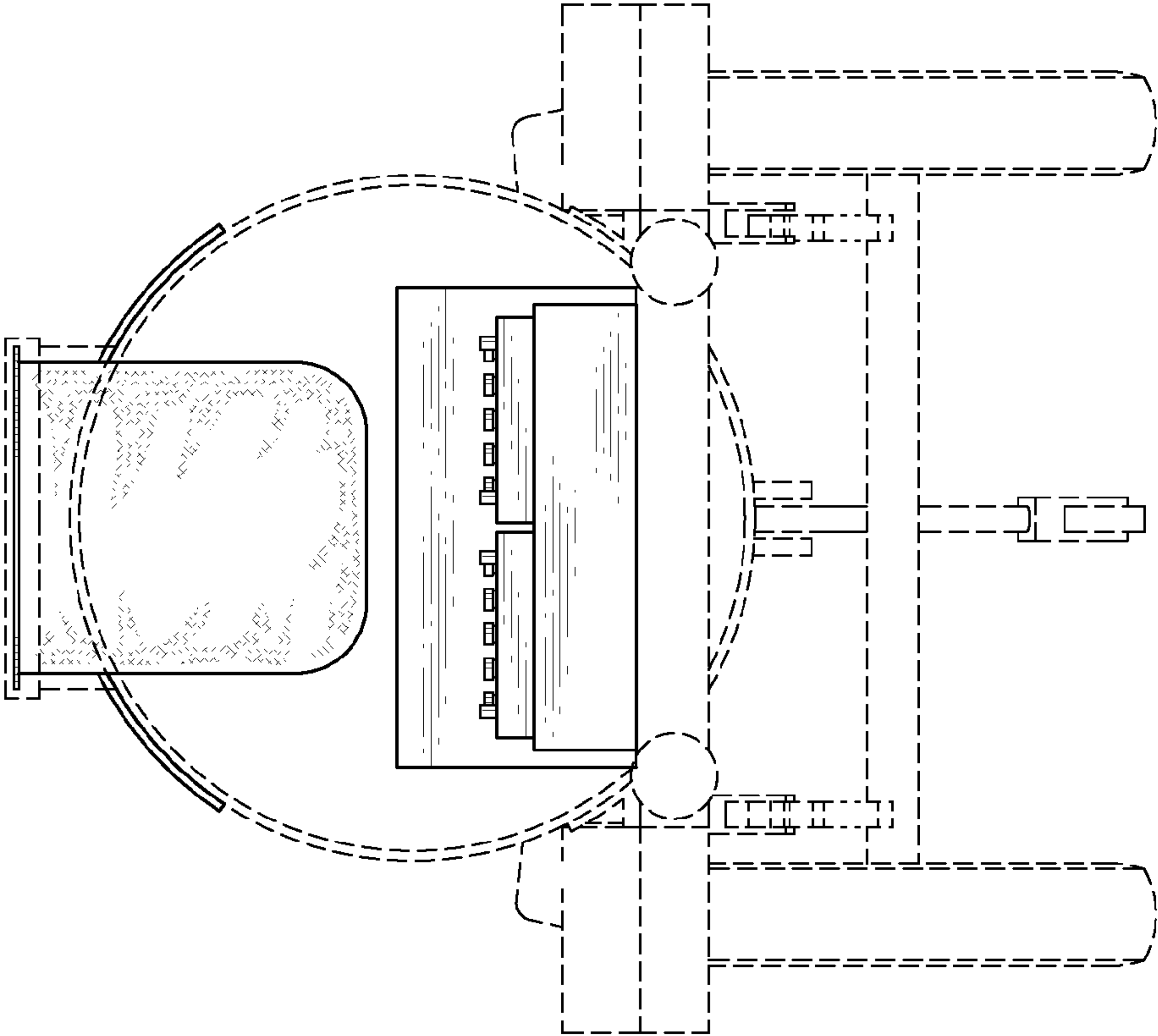


Fig. 3

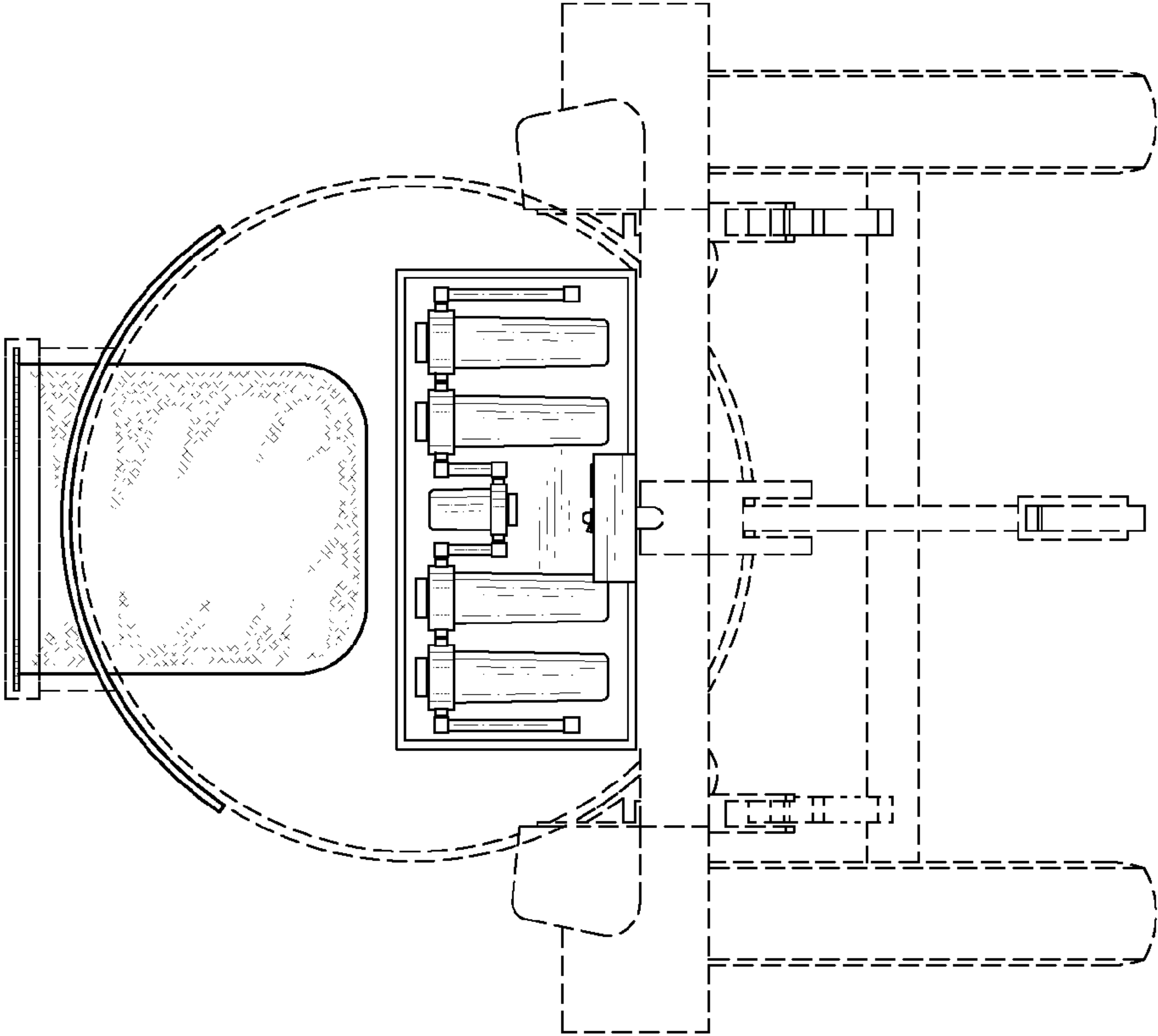


Fig. 2

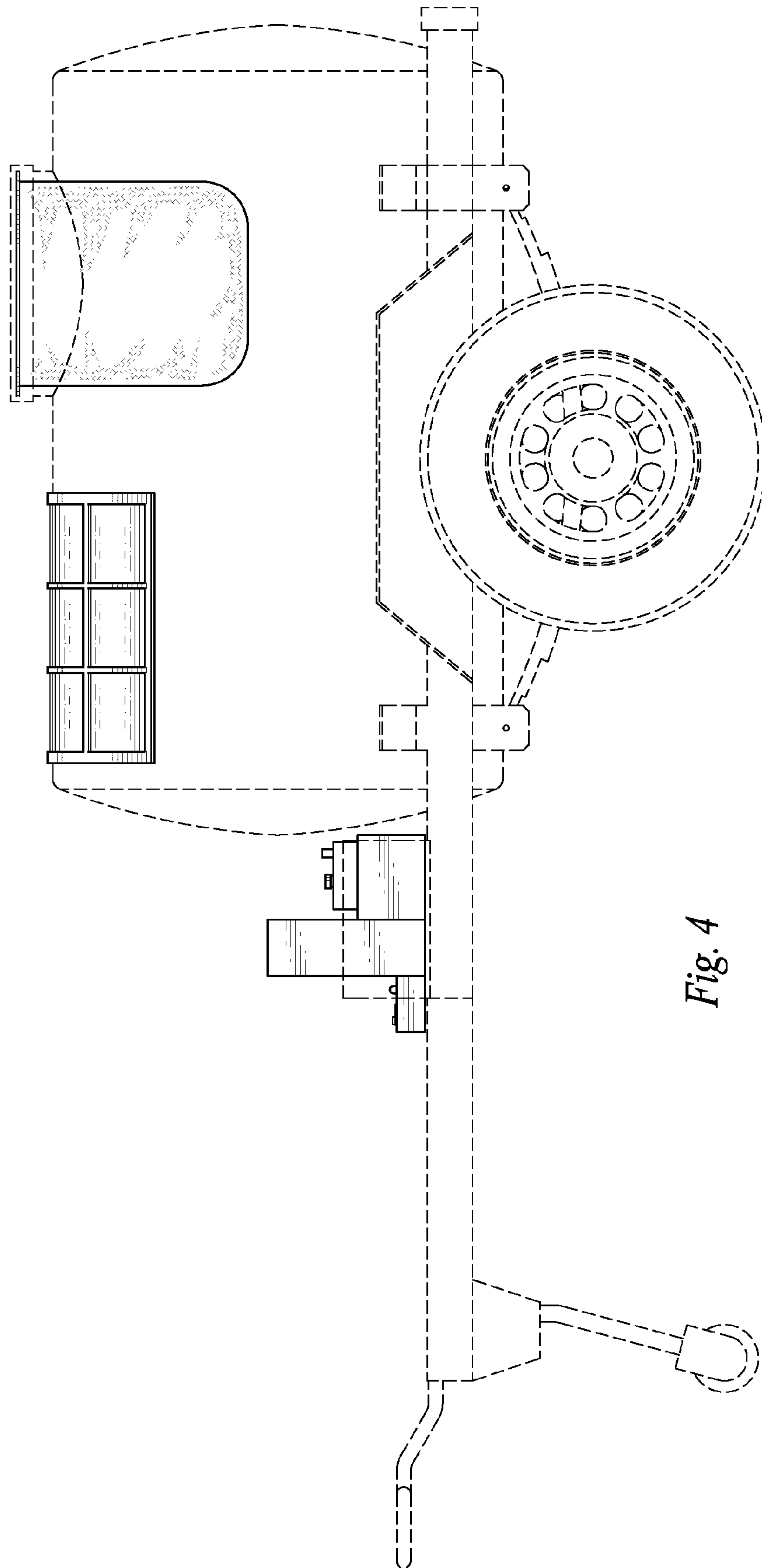


Fig. 4

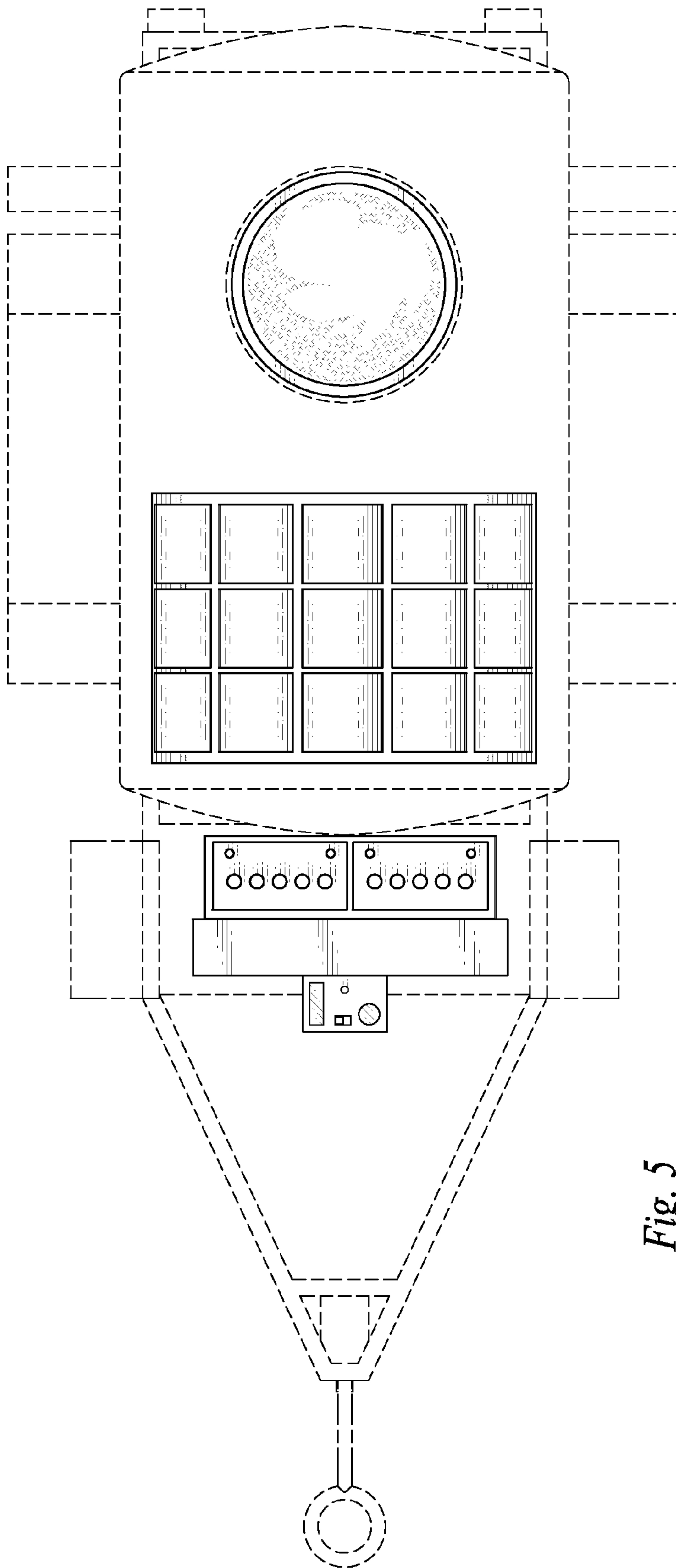


Fig. 5

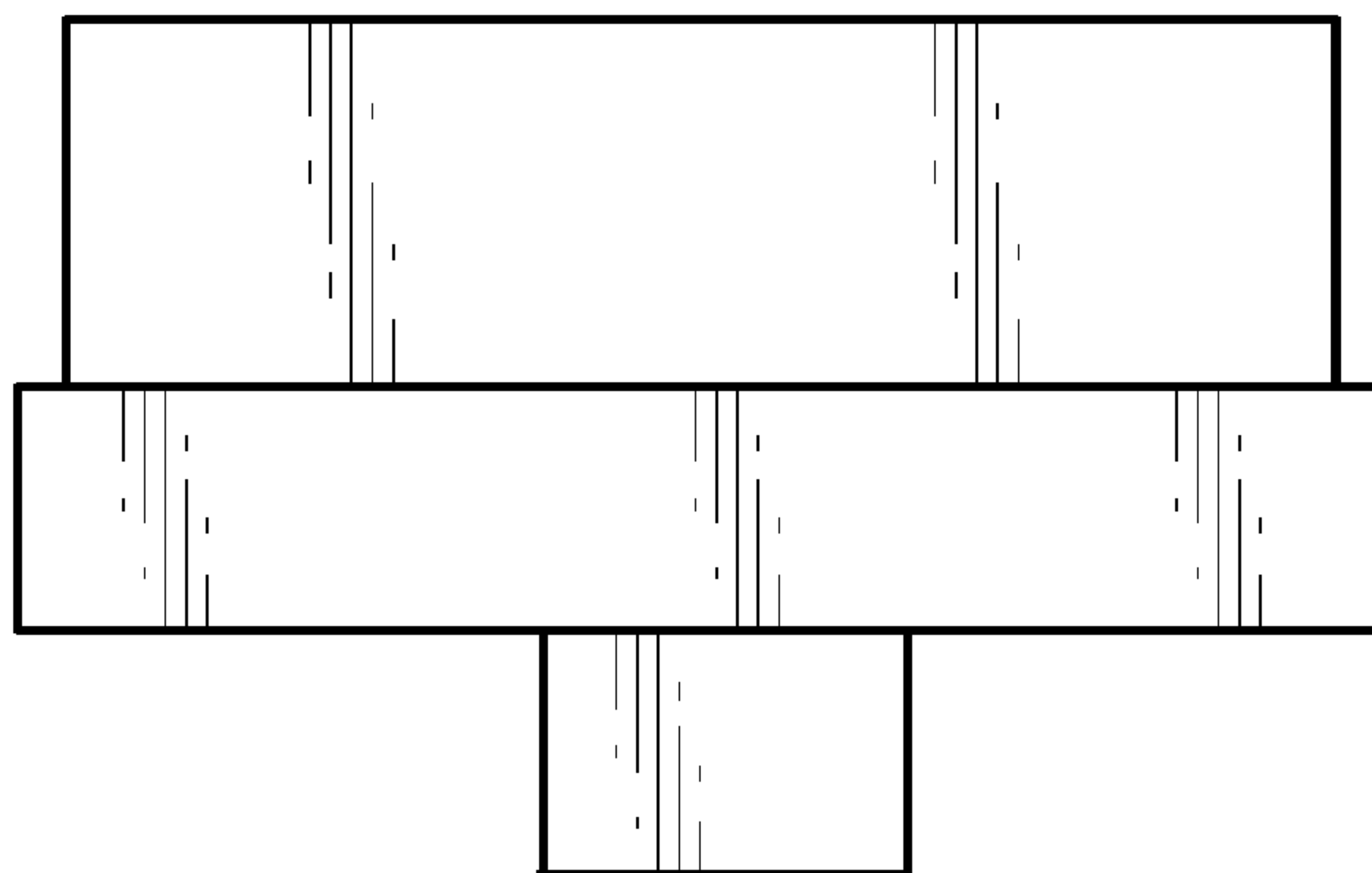
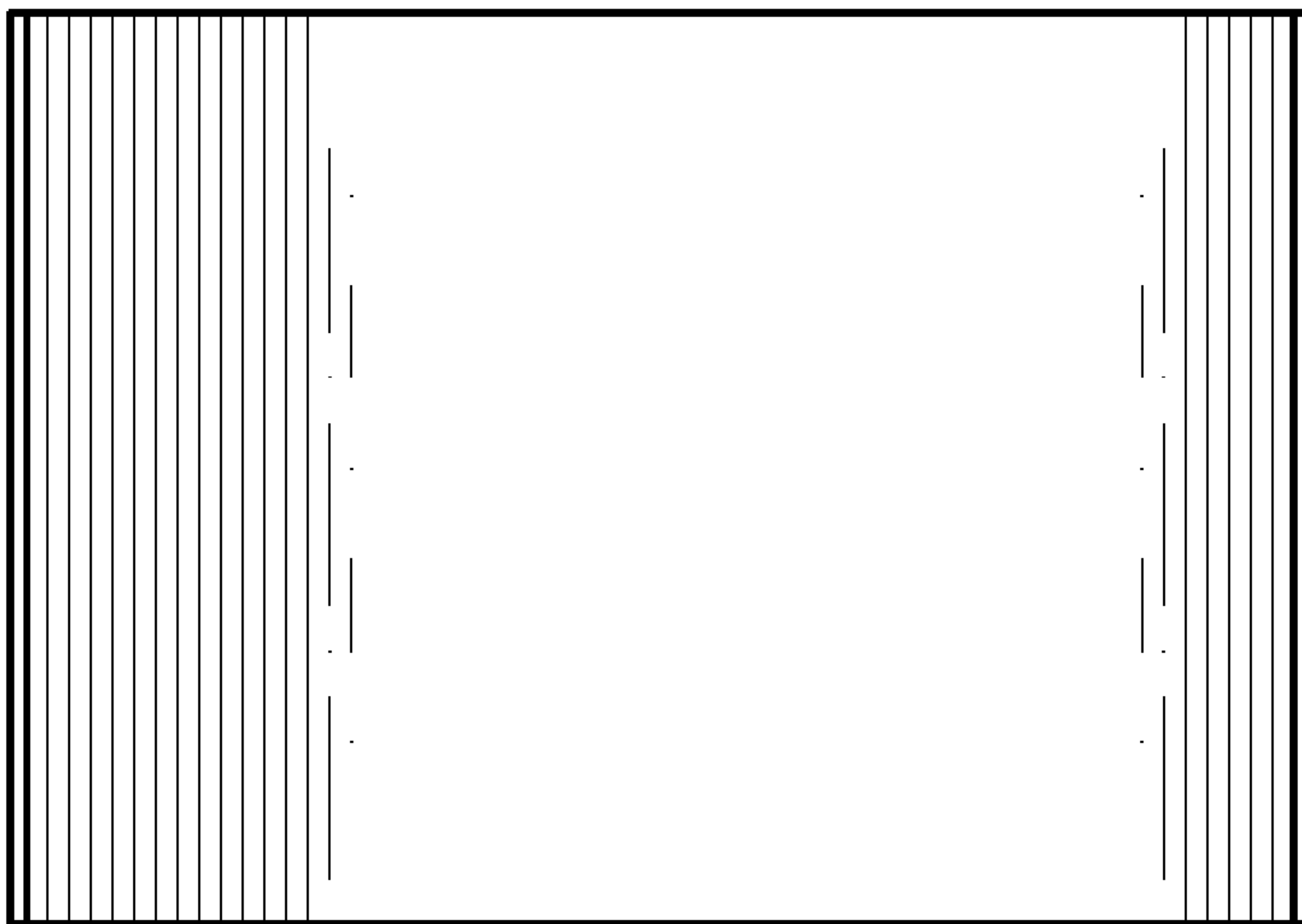
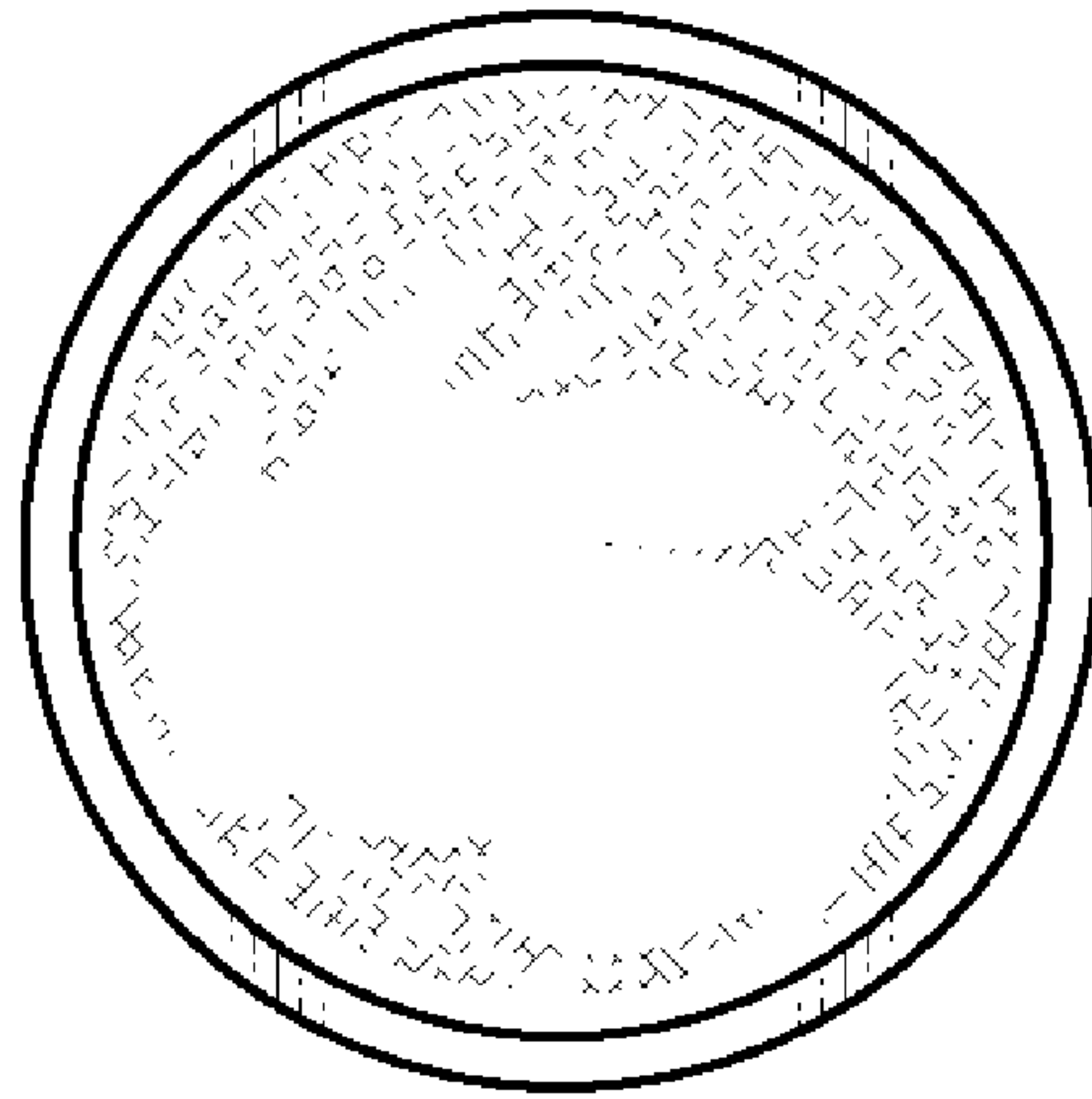


Fig. 6