



US00D616512S

(12) **United States Design Patent**
Mickelson et al.

(10) **Patent No.:** **US D616,512 S**

(45) **Date of Patent:** **** May 25, 2010**

(54) **HYBRID GOLF CLUB HEAD**

(75) Inventors: **Philip A. Mickelson**, Rancho Santa Fe, CA (US); **Daniel M. Stevens**, San Diego, CA (US); **William C. Watson**, Temecula, CA (US); **Alan Hocknell**, Carlsbad, CA (US); **Luke R. Williams**, Carlsbad, CA (US); **Roger Cleveland**, Los Angeles, CA (US)

(73) Assignee: **Callaway Golf Company**, Carlsbad, CA (US)

(**) Term: **14 Years**

(21) Appl. No.: **29/338,771**

(22) Filed: **Jun. 18, 2009**

(51) **LOC (9) Cl.** **21-02**

(52) **U.S. Cl.** **D21/733**

(58) **Field of Classification Search** D21/733,
D21/747-751, 752, 759; 473/324-331, 343-346,
473/350

See application file for complete search history.

(56) **References Cited**

U.S. PATENT DOCUMENTS

D532,469 S * 11/2006 Oldknow D21/752
D578,588 S * 10/2008 Oldknow et al. D21/752

D592,260 S * 5/2009 Green et al. D21/752
D592,261 S * 5/2009 Green et al. D21/752
D594,918 S * 6/2009 Prichard et al. D21/752

* cited by examiner

Primary Examiner—Mitchell I Siegel
(74) *Attorney, Agent, or Firm*—Michael A. Catania; Elaine H. Lo

(57) **CLAIM**

The ornamental design for a hybrid golf club head, as shown and described.

DESCRIPTION

FIG. 1 is a bottom plan view of a hybrid golf club head thereof;

FIG. 2 is a top plan view thereof;

FIG. 3 is a rear elevational view thereof;

FIG. 4 is a front elevational view thereof;

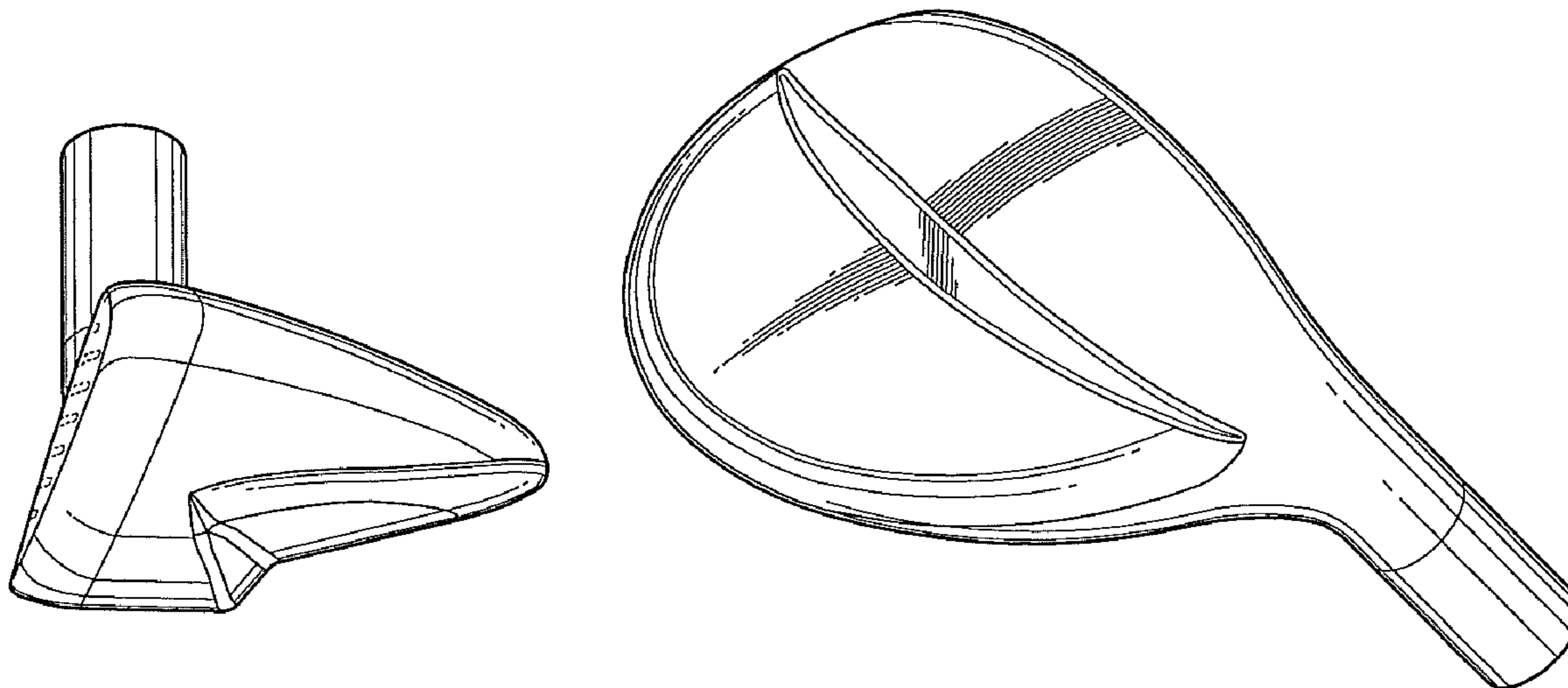
FIG. 5 is a heel end side view thereof;

FIG. 6 is a toe end side view thereof; and,

FIG. 7 is a bottom perspective view thereof.

The broken line showing of the grooves on the face of the golf club head is included for the purpose of illustrating and forms no part of the claimed design.

1 Claim, 2 Drawing Sheets



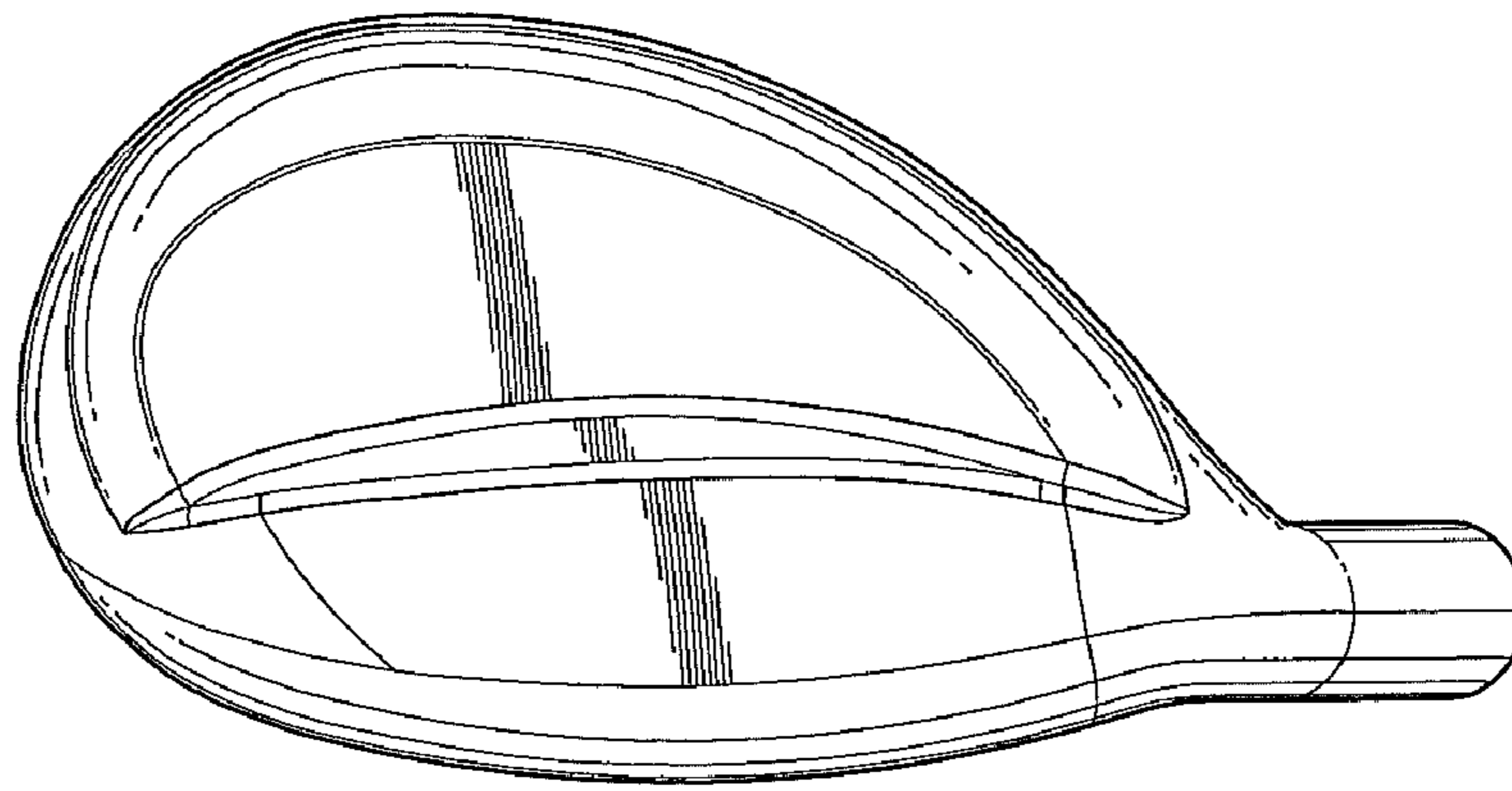


FIG. 1

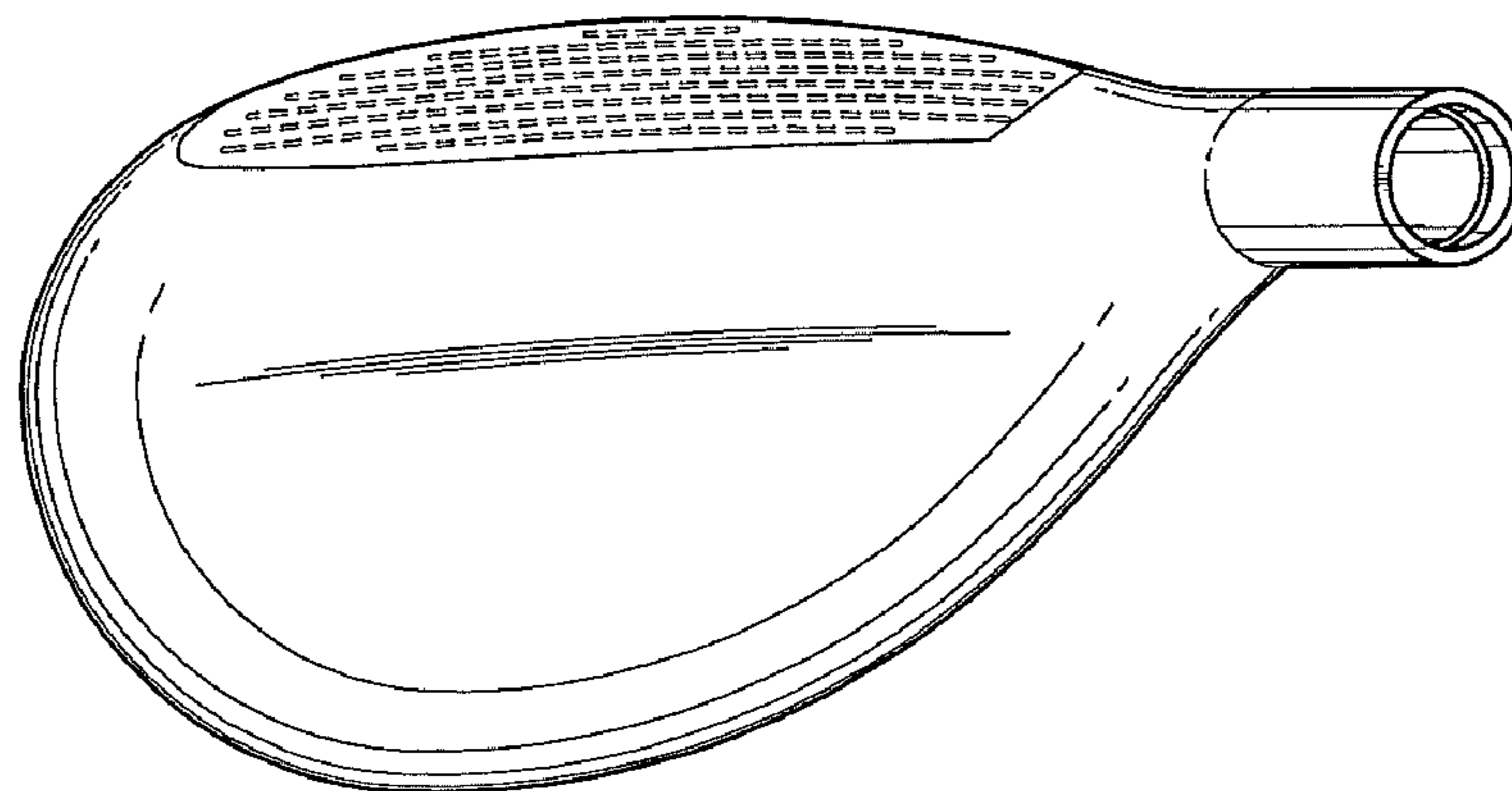


FIG. 2

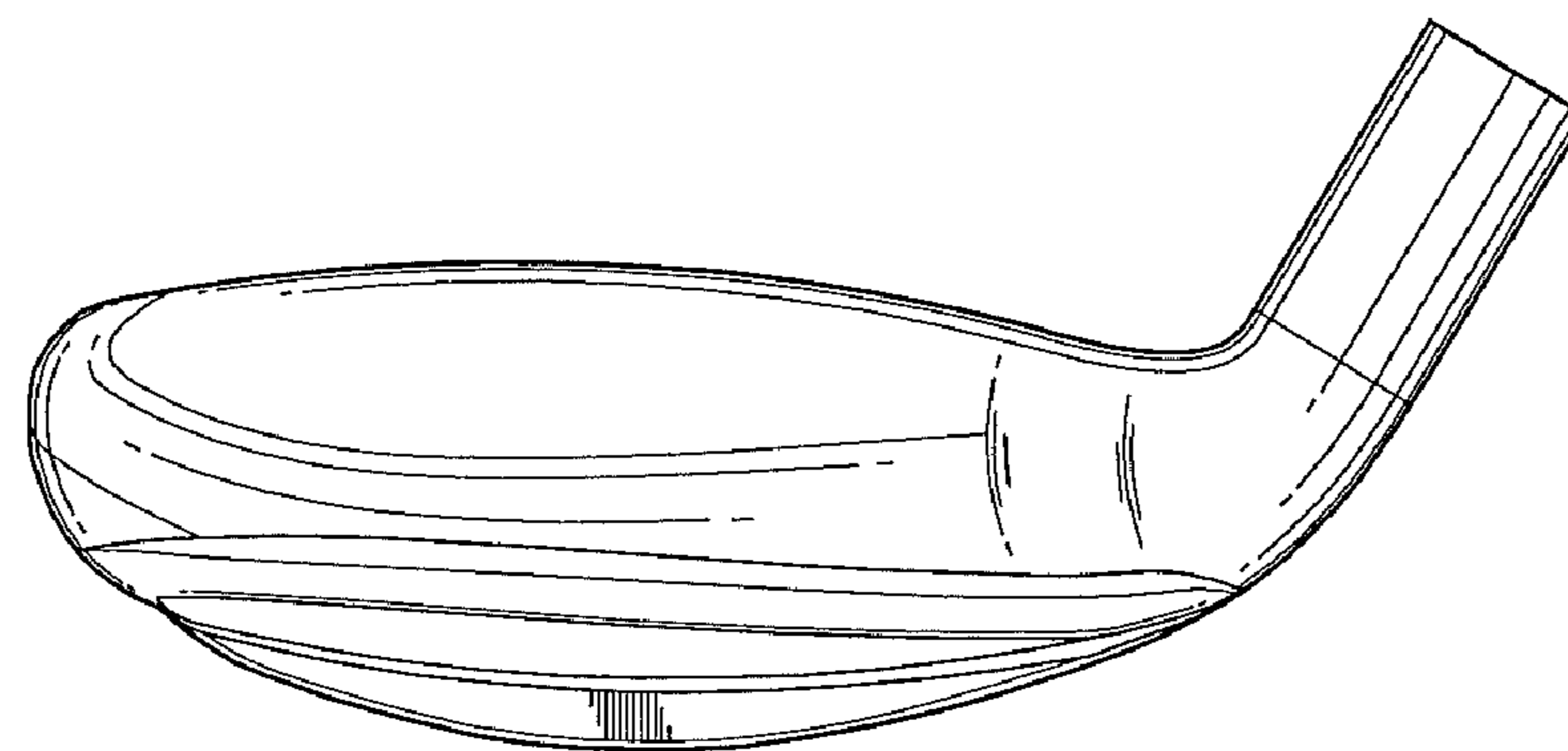


FIG. 3

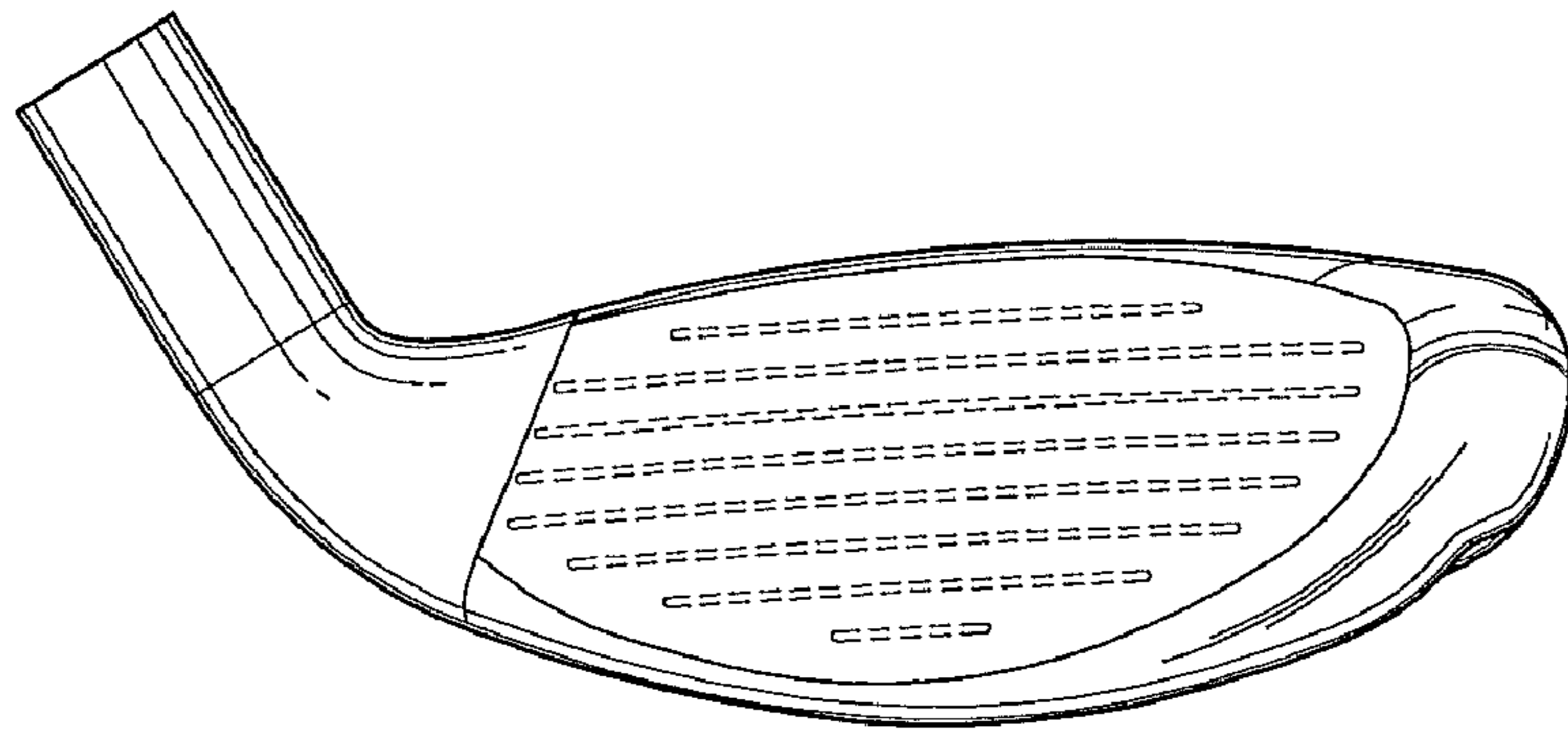


FIG. 4

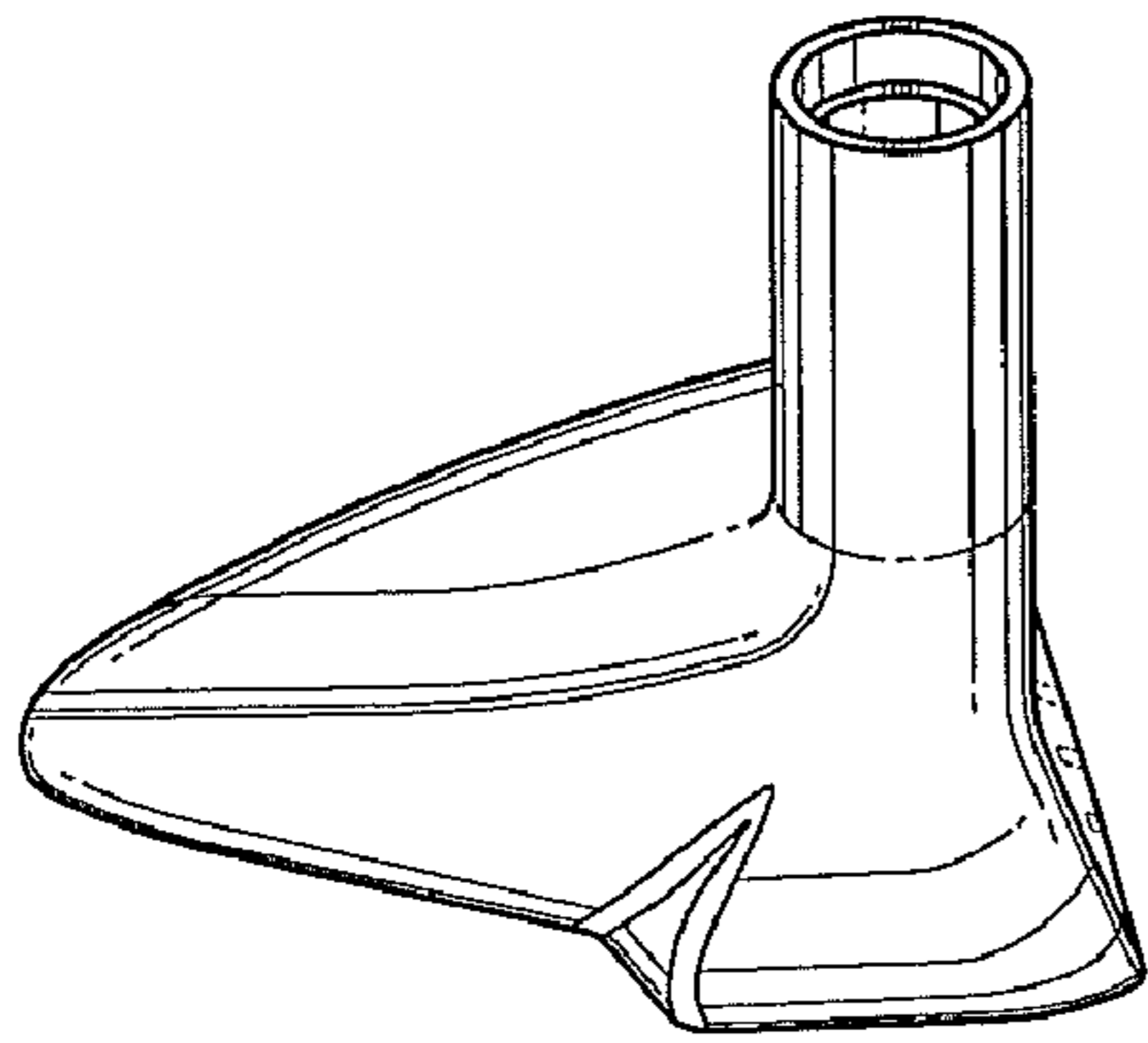


FIG. 5

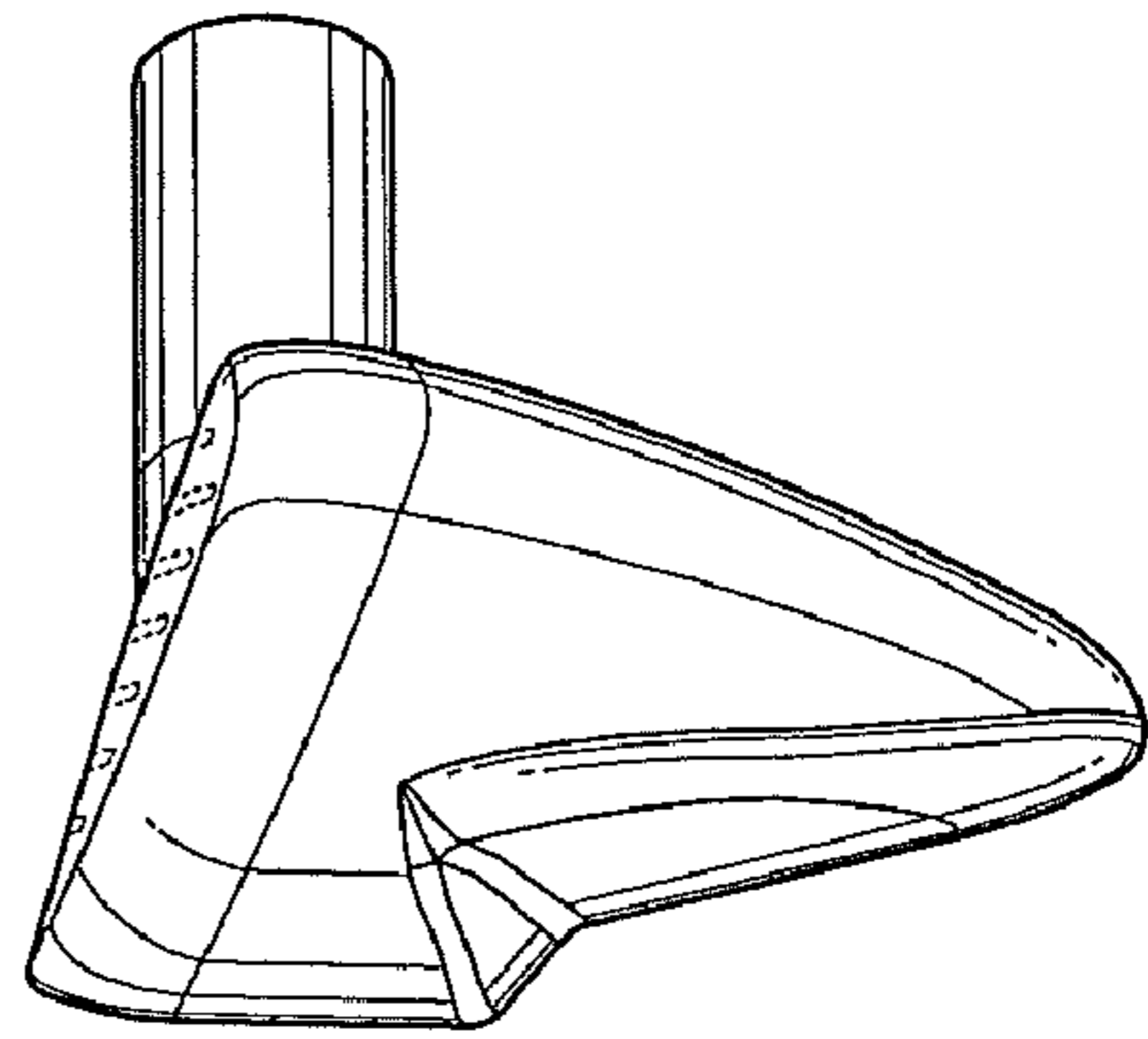


FIG. 6

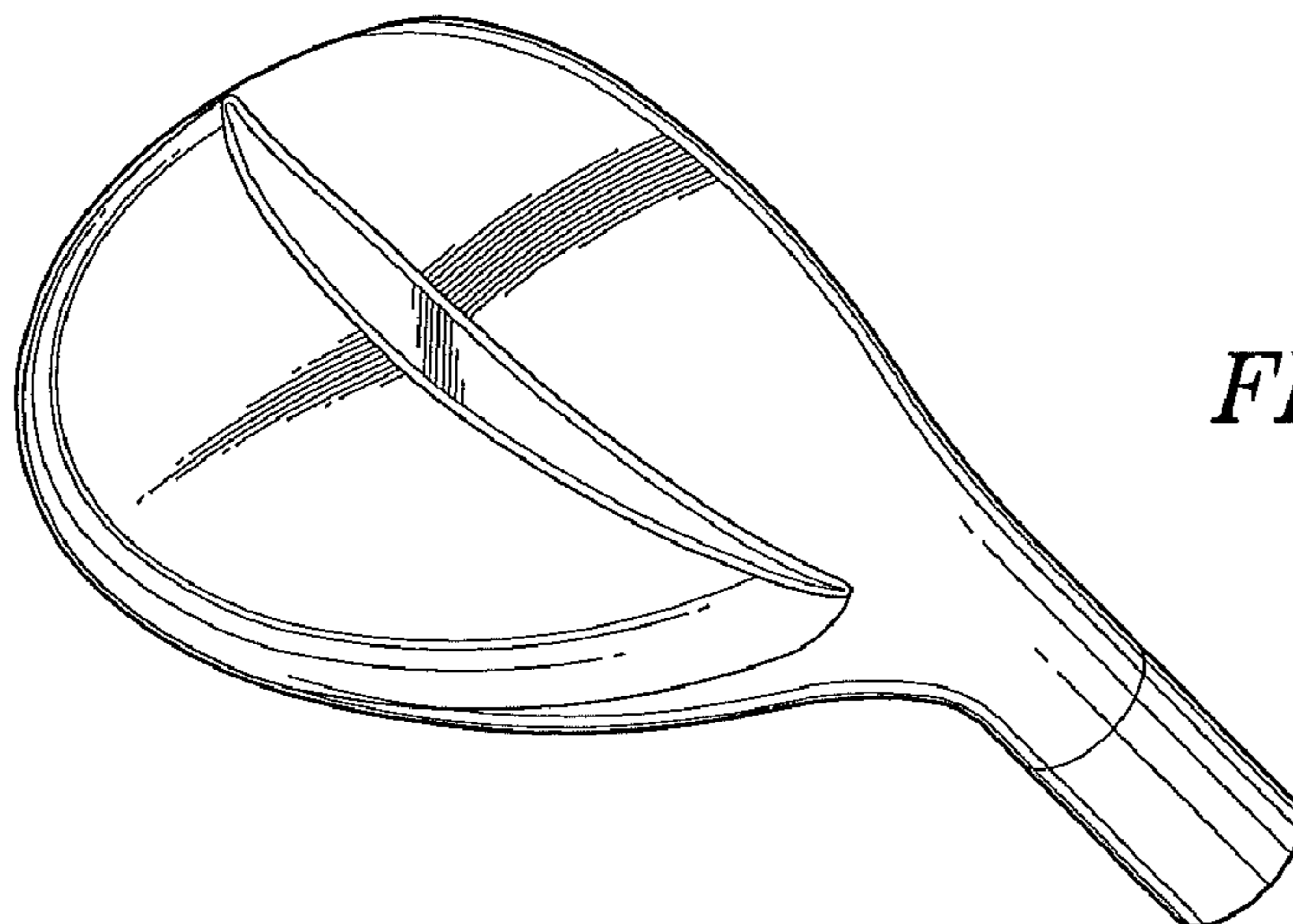


FIG. 7