



US00D616505S

(12) **United States Design Patent**
Kossmann

(10) **Patent No.:** **US D616,505 S**

(45) **Date of Patent:** **** May 25, 2010**

(54) **ELEMENT OF A CONSTRUCTION SET**

(75) Inventor: **Markus Kossmann**, Kolding (DK)

(73) Assignee: **Lego A/S**, Billund (DK)

(**) Term: **14 Years**

(21) Appl. No.: **29/315,667**

(22) Filed: **Jul. 14, 2009**

(30) **Foreign Application Priority Data**

Jan. 27, 2009 (EM) 001076178

(51) **LOC (9) Cl.** **21-01**

(52) **U.S. Cl.** **D21/501**

(58) **Field of Classification Search** D21/484,
D21/485, 486, 489, 491, 494, 495, 499, 500-504;
446/69, 85, 102-128; 434/208, 259, 403;
273/153, 156, 160; 428/174

See application file for complete search history.

(56) **References Cited**

U.S. PATENT DOCUMENTS

3,611,609 A * 10/1971 Reijnhard 446/121
4,547,160 A * 10/1985 Labelle 446/103
D317,955 S * 7/1991 Olsen D21/502
D342,552 S * 12/1993 Pagel D21/506
D374,257 S * 10/1996 Schmidt et al. D21/486

D374,465 S * 10/1996 Schmidt D21/486
D406,611 S * 3/1999 Holm D21/503
D409,675 S * 5/1999 Krog D21/486
D409,679 S * 5/1999 Jensen D21/501
D410,704 S * 6/1999 Krog D21/486
D410,976 S * 6/1999 Poulsen D21/502
D411,592 S * 6/1999 Krog D21/504
D415,216 S * 10/1999 Krog D21/502
D420,710 S * 2/2000 Poulsen D21/486
6,682,385 B2 * 1/2004 Atzen et al. 446/124

* cited by examiner

Primary Examiner—Philip S Hyder

Assistant Examiner—Cynthia M Chin

(74) *Attorney, Agent, or Firm*—Day Pitney LLP

(57) **CLAIM**

The ornamental design for an element of a construction set, as shown and described.

DESCRIPTION

FIG. 1 is a top perspective view of the element of a construction set of the present design;

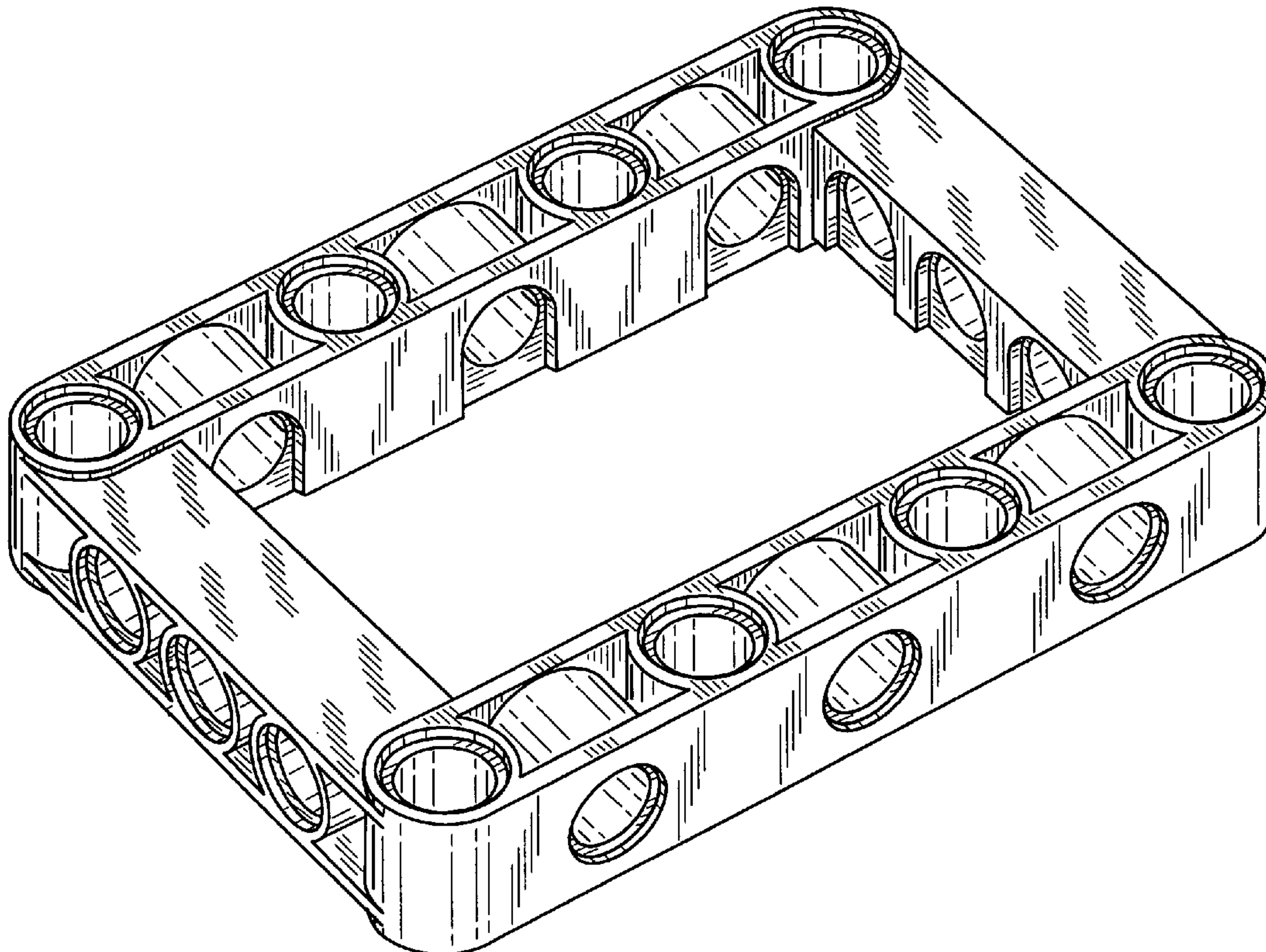
FIG. 2 is a front view thereof, the rear view being identical;

FIG. 3 is a top plan view thereof;

FIG. 4 is a bottom plan view thereof; and,

FIG. 5 is a right side view thereof, the left side being identical.

1 Claim, 5 Drawing Sheets



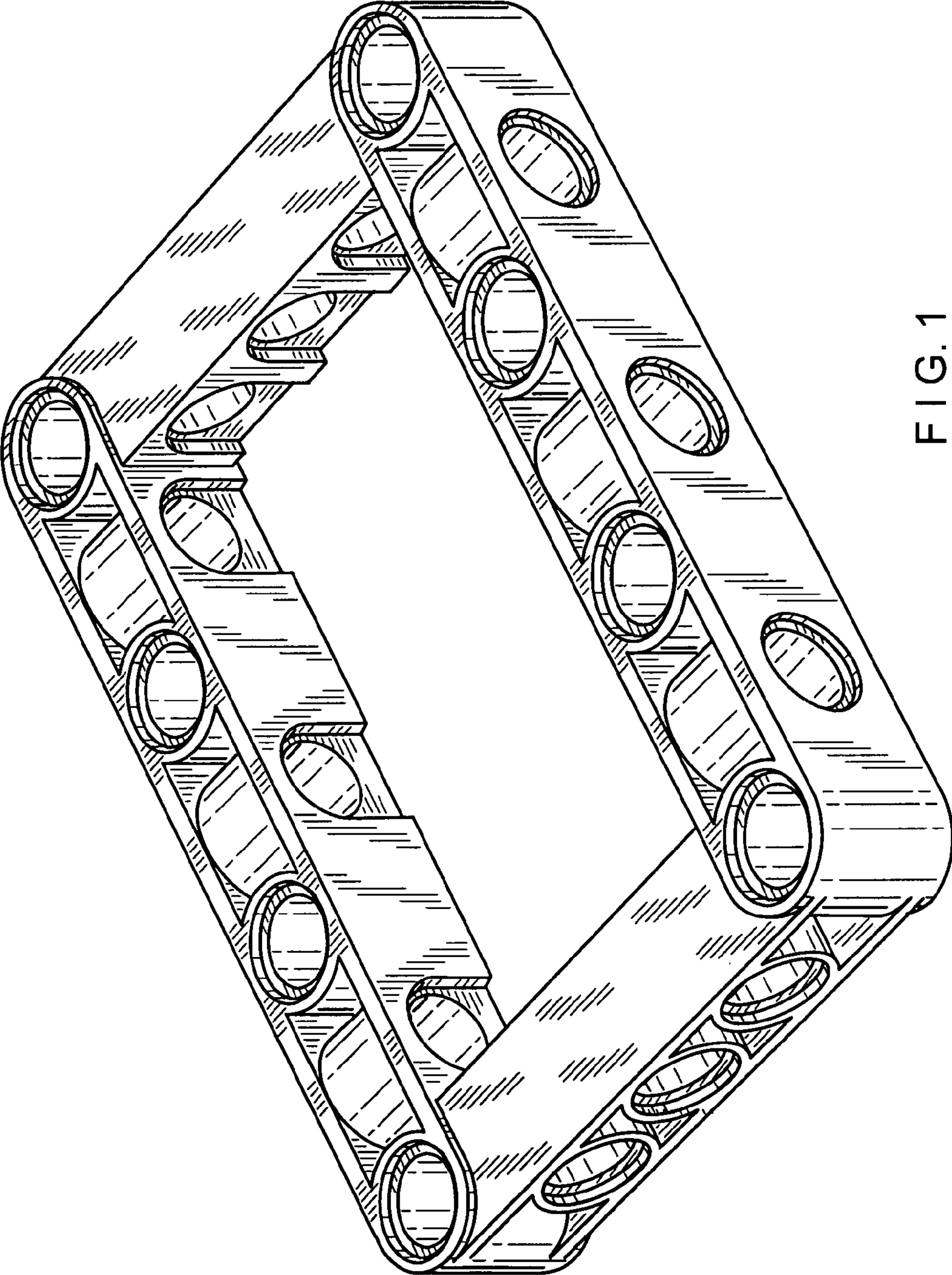


FIG. 1

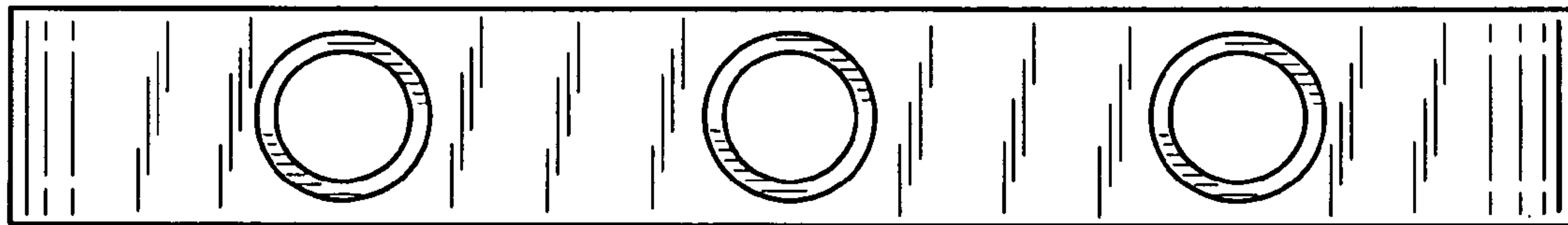


FIG. 2

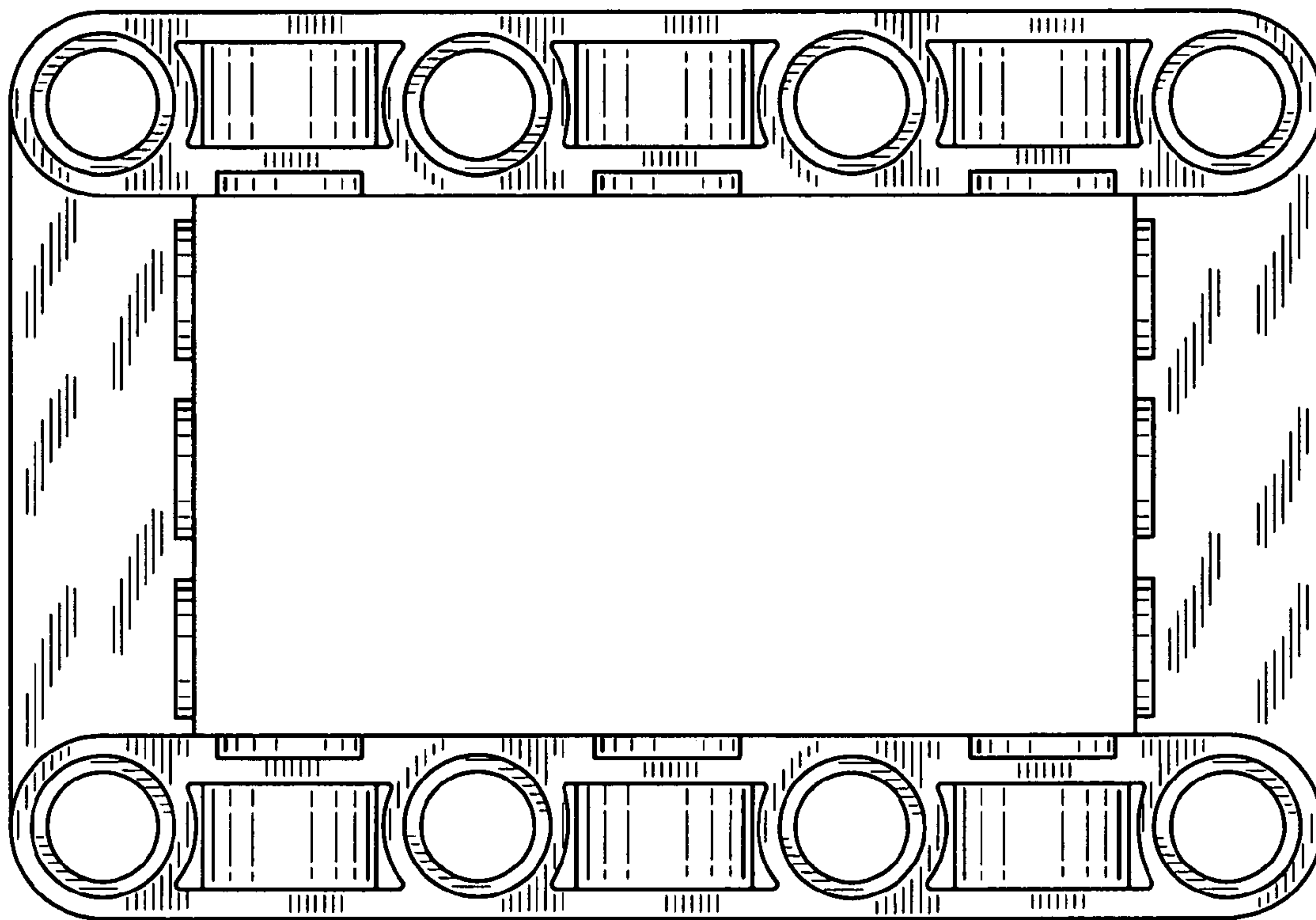


FIG. 3

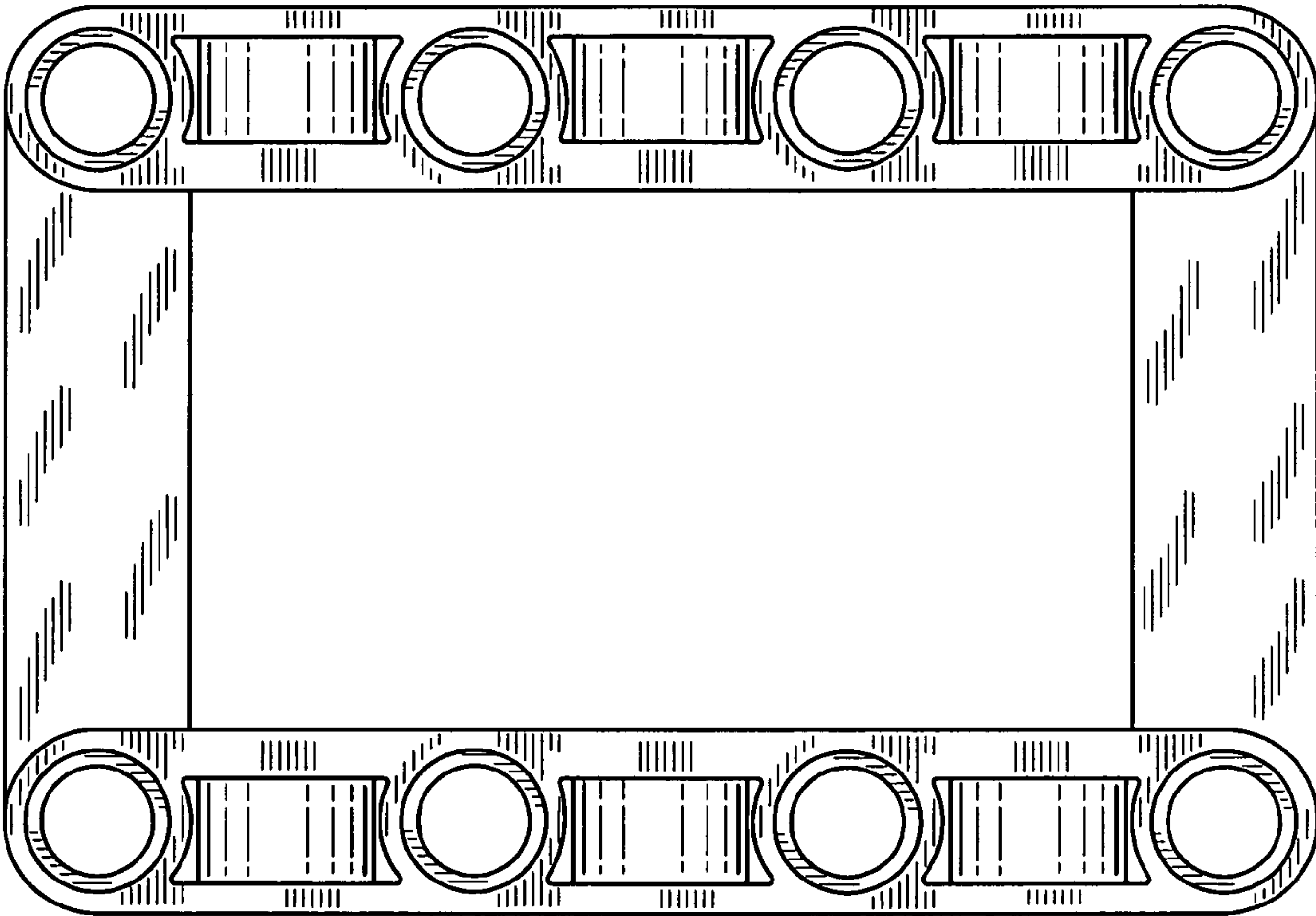


FIG. 4

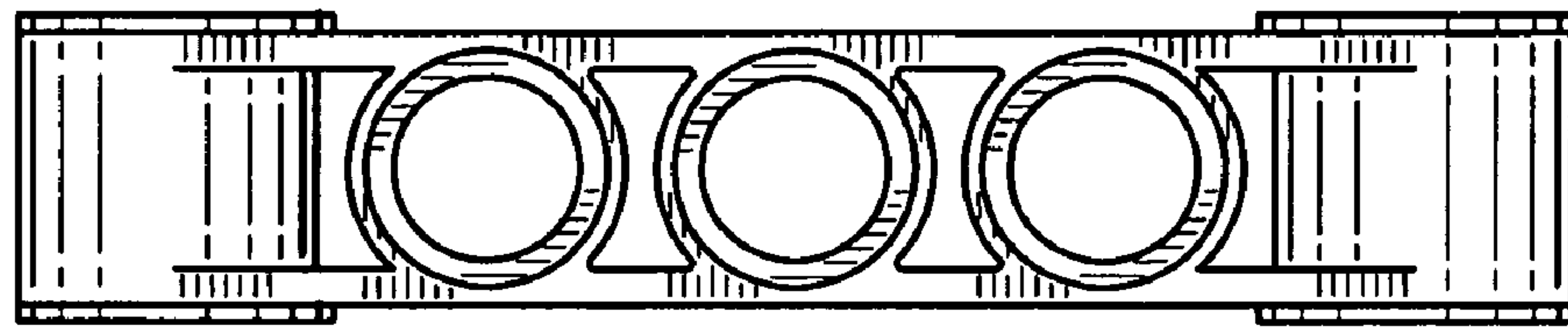


FIG. 5