



US00D616502S

(12) **United States Design Patent**  
**Kulikoff**

(10) **Patent No.:** **US D616,502 S**

(45) **Date of Patent:** **\*\* May 25, 2010**

(54) **VEHICLE-MOUNTED DISPLAY**

(76) Inventor: **Eulaila Kulikoff**, 1483 W. Duane Lake Rd., Duanesburg, NY (US) 12056

(\*\*) Term: **14 Years**

(21) Appl. No.: **29/346,845**

(22) Filed: **Nov. 6, 2009**

(51) **LOC (9) Cl.** ..... **20-03**

(52) **U.S. Cl.** ..... **D20/10; D20/39**

(58) **Field of Classification Search** ..... D20/10,  
D20/19, 39-42, 99; 40/446, 538, 540-542,  
40/584, 587-592, 597, 624; D10/104, 109;  
D26/28, 31, 32; 248/201; 362/487, 493,  
362/812; D6/300

See application file for complete search history.

(56) **References Cited**

**U.S. PATENT DOCUMENTS**

D29,641 S *	11/1898	Thawley .....	D20/42
738,569 A	9/1903	Penfield	
823,459 A	6/1906	Batchelder	
2,077,585 A	4/1937	Rivers	
D161,735 S *	1/1951	Chapman .....	D20/42
D162,637 S *	3/1951	Ernst .....	D20/42
2,839,914 A	6/1958	Syler	
3,208,173 A	9/1965	Shank	
3,242,329 A	3/1966	Abrams	
D205,209 S *	7/1966	Priddis .....	D26/31
3,290,813 A	12/1966	Rose, Sr.	
3,292,291 A	12/1966	Kelley	
3,318,031 A *	5/1967	Whaley et al. ....	40/592
3,440,748 A	4/1969	Hackley	
3,828,456 A	8/1974	Rose	
3,922,998 A	12/1975	May	
D255,726 S *	7/1980	Leuthesser .....	D26/31
D277,298 S	1/1985	Nelson	
D277,299 S	1/1985	Nelson	
4,609,133 A	9/1986	Anderson	
4,667,428 A	5/1987	Elmer	
D290,620 S	6/1987	Elmer	
D290,621 S	6/1987	Ossvik	
4,671,004 A	6/1987	Berg	

D326,282 S *	5/1992	Spoljaric .....	D20/10
D328,143 S	7/1992	Elmer	
D344,101 S	2/1994	DeRaffele et al.	
5,339,551 A	8/1994	Elmer	
5,365,687 A	11/1994	Sclater	
5,697,176 A *	12/1997	Kuni et al. ....	40/591
5,722,623 A *	3/1998	Gibson .....	248/201
D398,409 S	9/1998	Jessa	
D430,901 S *	9/2000	Palmer .....	D20/10
D433,713 S *	11/2000	Olivetti .....	D20/10
D453,191 S *	1/2002	Gentelia et al. ....	D20/10
D480,432 S *	10/2003	Newman .....	D20/10

(Continued)

*Primary Examiner*—Janice E Seeger

*Assistant Examiner*—Mary Ann Calabrese

(74) *Attorney, Agent, or Firm*—Heslin Rothenberg Farley & Mesiti P.C.

(57) **CLAIM**

The ornamental design for a vehicle-mounted display, as shown and described.

**DESCRIPTION**

FIG. 1 is a front elevation view of a vehicle-mounted display comprising the new design, the rear elevation view comprising a mirror image thereof;

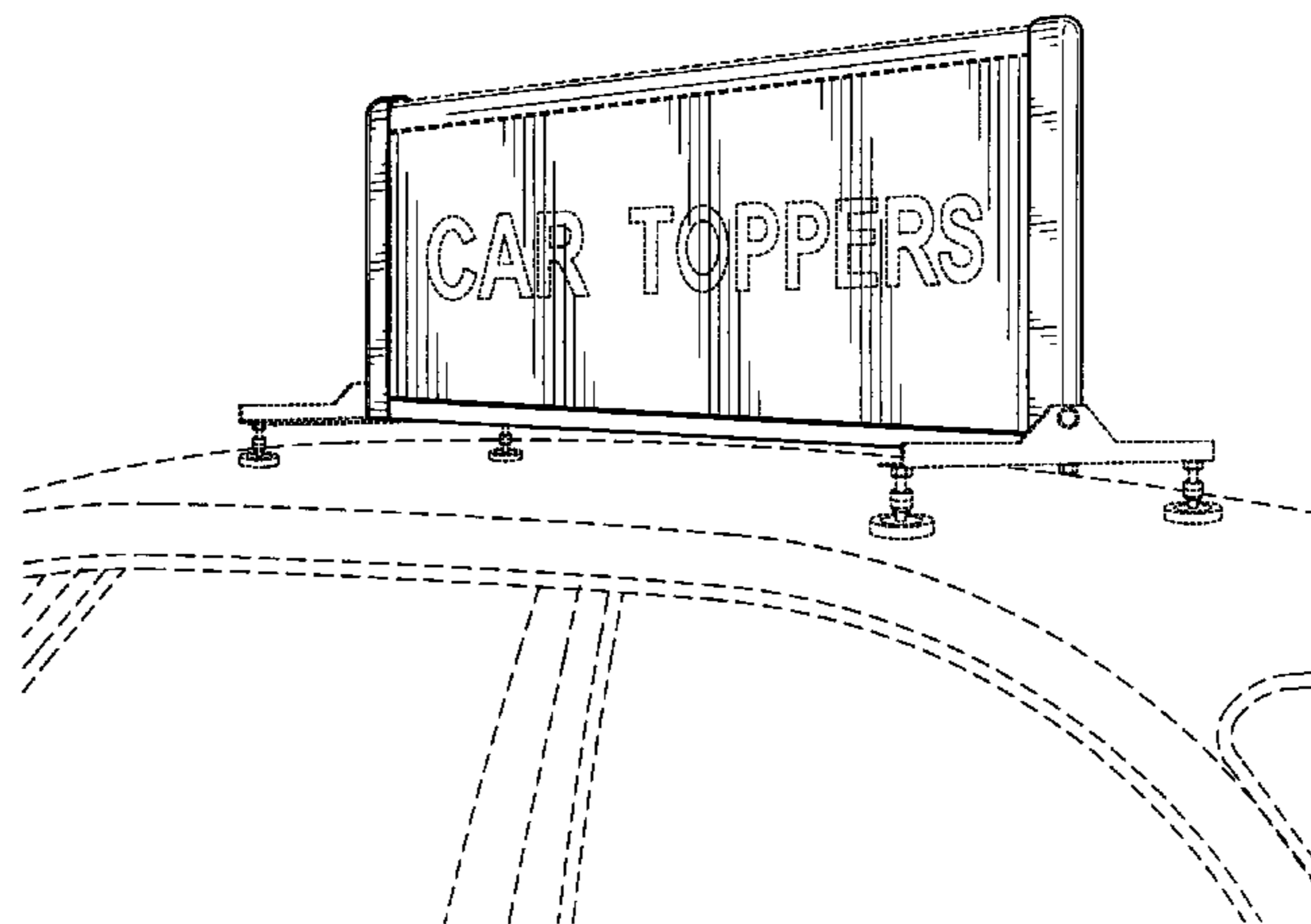
FIG. 2 is a left side elevation view thereof, the right side elevation view comprising a mirror image thereof;

FIG. 3 is a top plan view thereof; and,

FIG. 4 is a perspective view thereof, the vehicle shown in broken line is included for the purpose of illustrating environment.

The features shown by broken line in FIGS. 1 through 4 form no part of the claimed design.

**1 Claim, 3 Drawing Sheets**



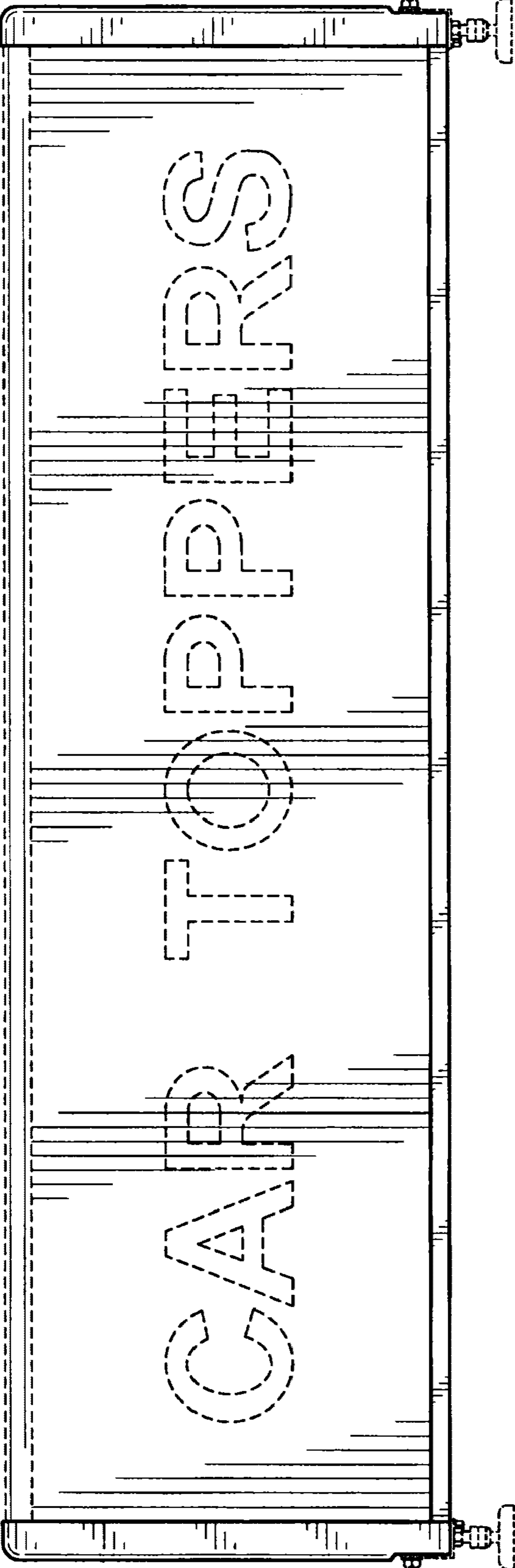
# US D616,502 S

Page 2

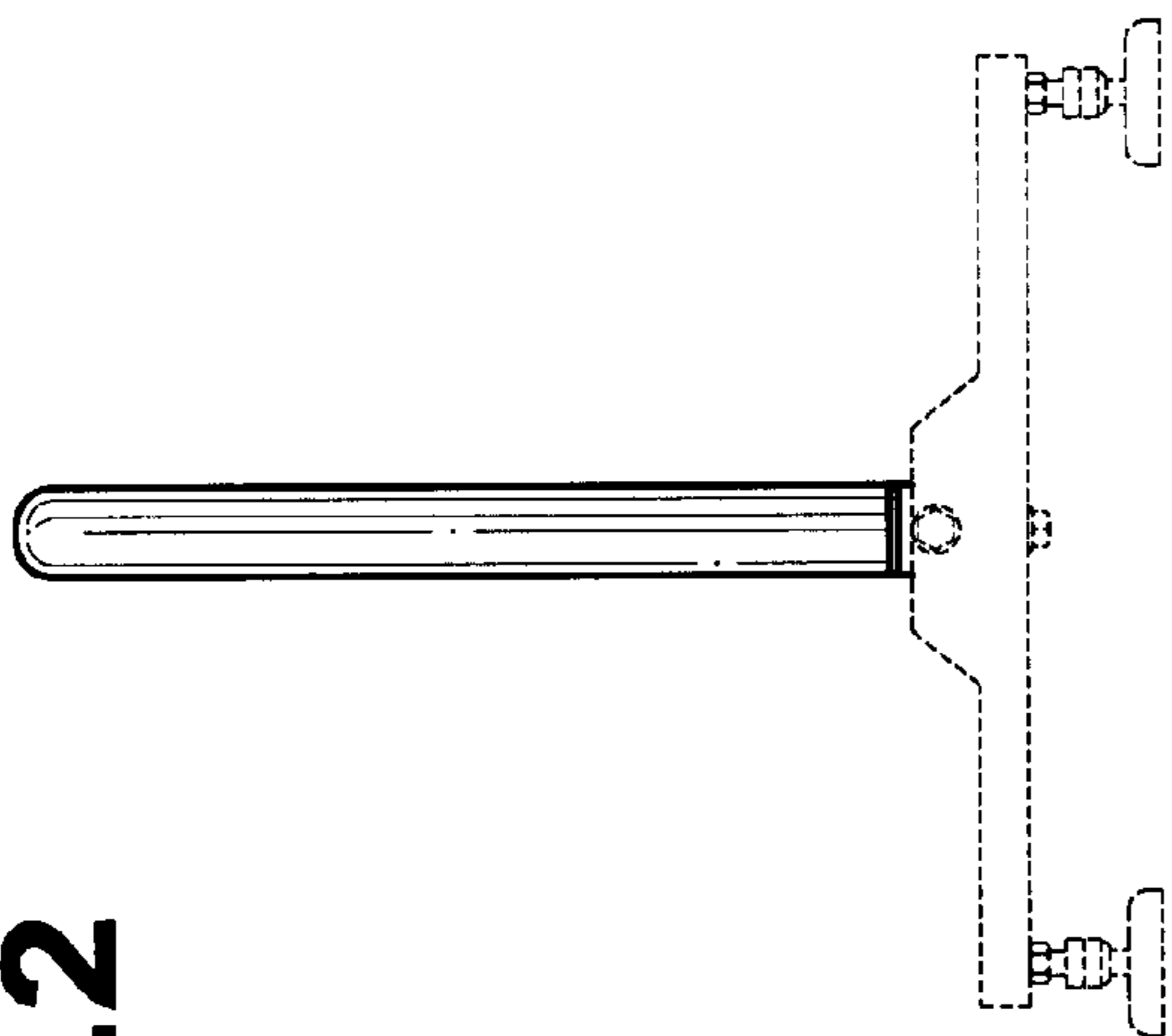
---

U.S. PATENT DOCUMENTS	2006/0265922 A1* 11/2006 Shaffer .....	40/591
D582,483 S * 12/2008 Awan .....	D20/10	
2005/0066558 A1* 3/2005 Haggard, Jr. ....	40/597	* cited by examiner

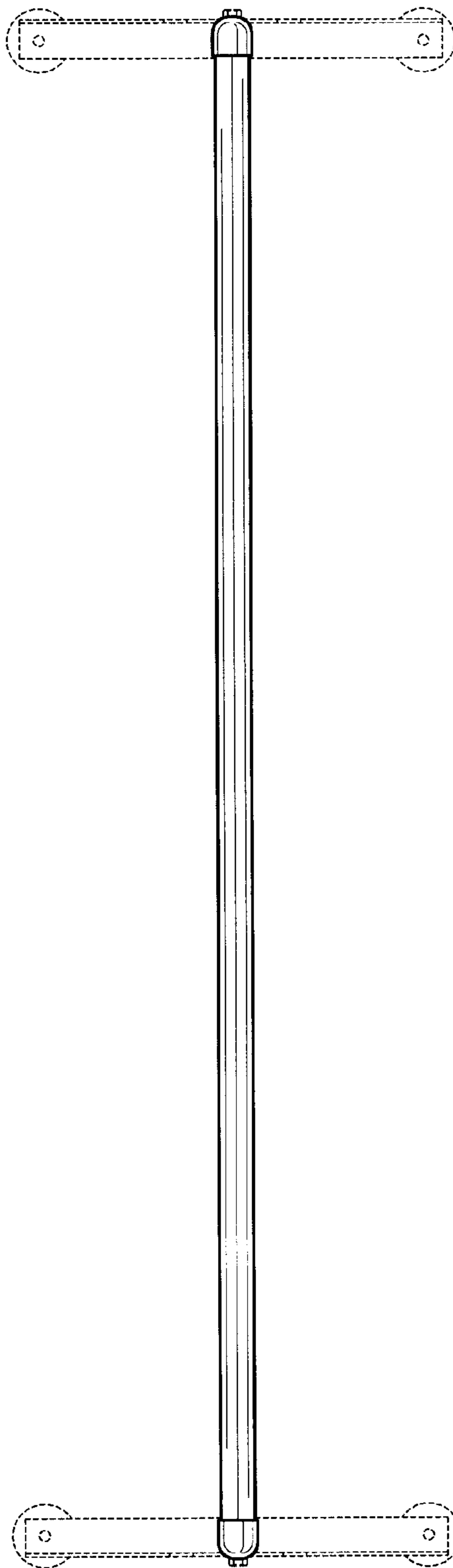
**FIG.1**

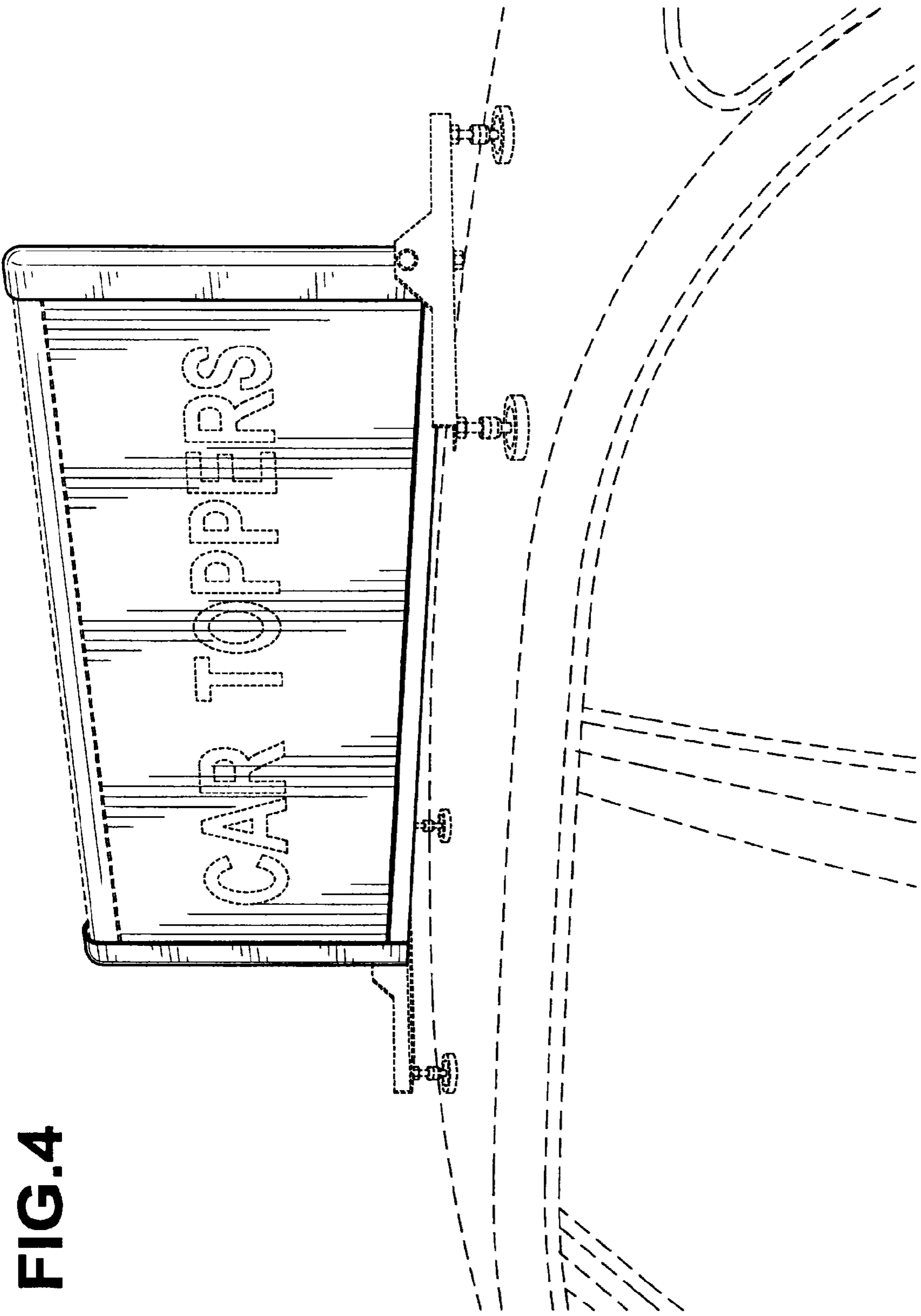


**FIG.2**



**FIG.3**





**FIG. 4**