



US00D616491S

(12) **United States Design Patent**
Yomoda et al.

(10) **Patent No.:** **US D616,491 S**

(45) **Date of Patent:** **** May 25, 2010**

(54) **TONER SUPPLYING CARTRIDGE**

(75) Inventors: **Nobuyuki Yomoda**, Toride (JP); **Yusuke Yamada**, Moriya (JP); **Kenta Koyama**, Tokyo (JP)

(73) Assignee: **Canon Kabushiki Kaisha**, Tokyo (JP)

(**) Term: **14 Years**

(21) Appl. No.: **29/335,804**

(22) Filed: **Apr. 22, 2009**

(30) **Foreign Application Priority Data**

Oct. 23, 2008 (JP) 2008-027176

(51) **LOC (9) Cl.** **16-03**

(52) **U.S. Cl.** **D18/43**

(58) **Field of Classification Search** D14/462,
D14/471, 474, 475; D18/12, 36, 40, 43,
D18/44, 56; 222/DIG. 1; 347/197, 214,
347/222; 399/24-27, 107-112, 119, 121,
399/122, 222-224

See application file for complete search history.

(56) **References Cited**

U.S. PATENT DOCUMENTS

D376,614 S * 12/1996 Ichikawa et al. D18/43
D450,081 S * 11/2001 Tsuji et al. D18/43
D458,960 S * 6/2002 Wang et al. D18/43
D502,731 S * 3/2005 Yamada D18/43
6,993,273 B2 * 1/2006 Yamada 222/DIG. 1

D529,542 S * 10/2006 Tazawa D18/43
D531,205 S * 10/2006 Okino D18/43
D532,037 S * 11/2006 Tsuda et al. D18/43
D538,331 S * 3/2007 Tazawa D18/43
D599,845 S * 9/2009 Kurenuma et al. D18/43
D602,985 S * 10/2009 Yoshizawa D18/43

* cited by examiner

Primary Examiner—Caron Veynar

Assistant Examiner—Garth Rademaker

(74) *Attorney, Agent, or Firm*—Fitzpatrick, Cella, Harper & Scinto

(57) **CLAIM**

The ornamental design for a toner supplying cartridge, as shown and described.

DESCRIPTION

FIG. 1 is a front view of a toner supplying cartridge showing our new design;

FIG. 2 is a rear view thereof;

FIG. 3 is a top plan view thereof;

FIG. 4 is a bottom plan view thereof;

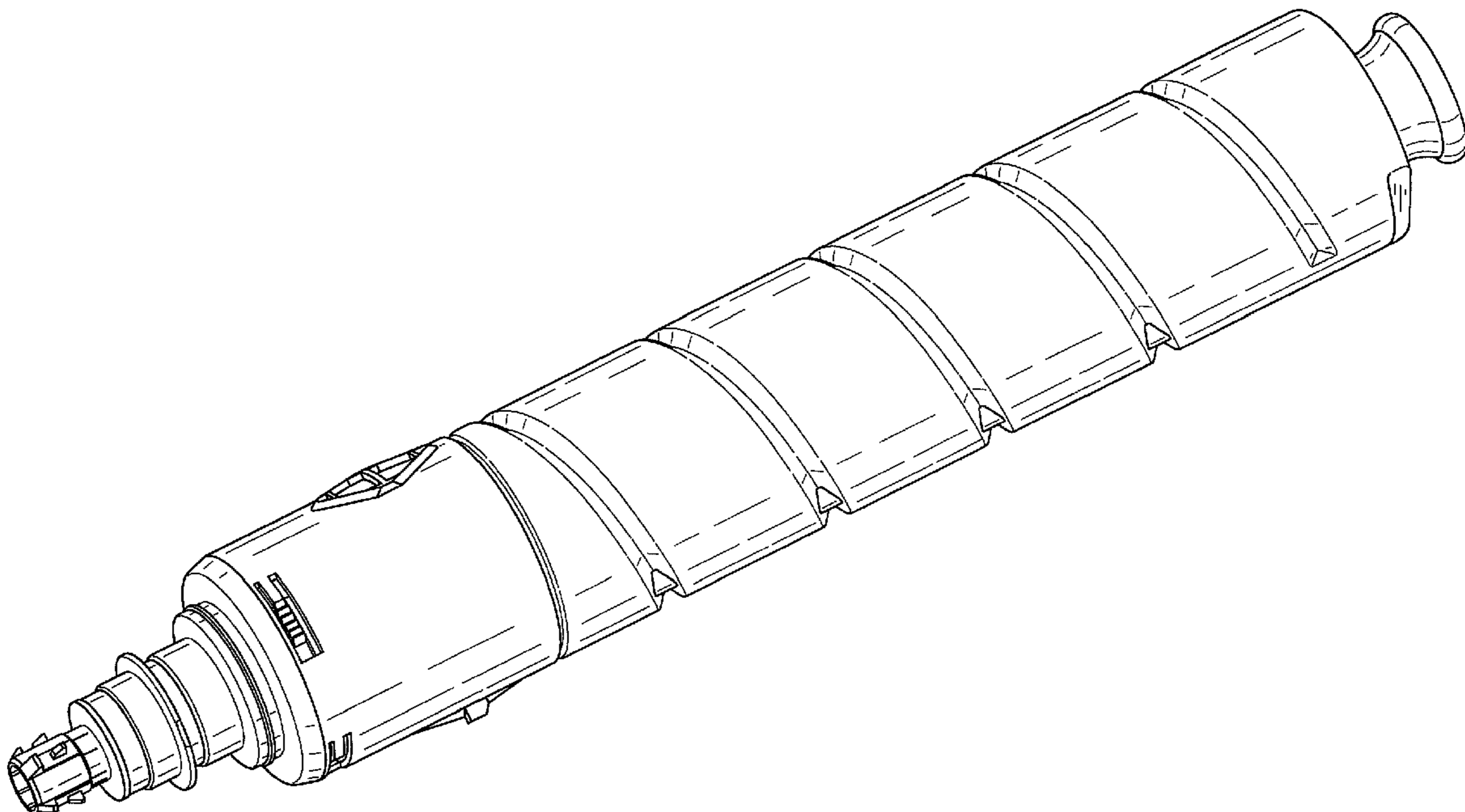
FIG. 5 is a left side view thereof;

FIG. 6 is a right side view thereof; and,

FIG. 7 is a perspective view thereof.

The broken lines depict environmental subject matter only and form no part of the claimed design.

1 Claim, 4 Drawing Sheets



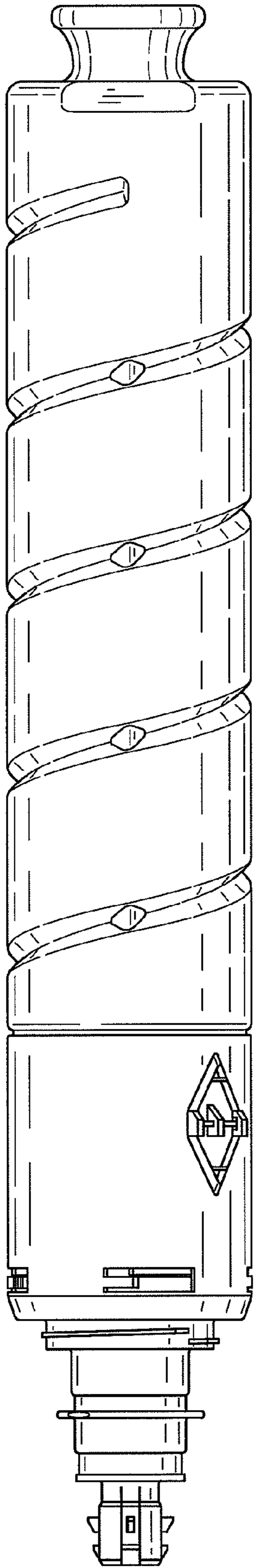


FIG. 1

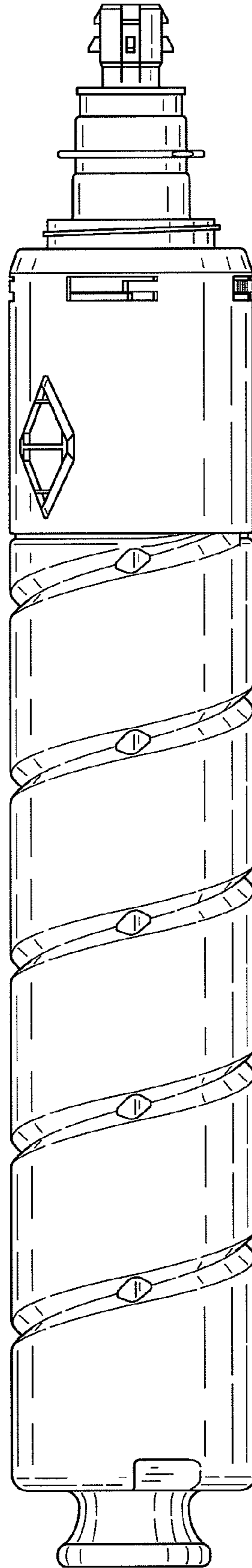


FIG. 2

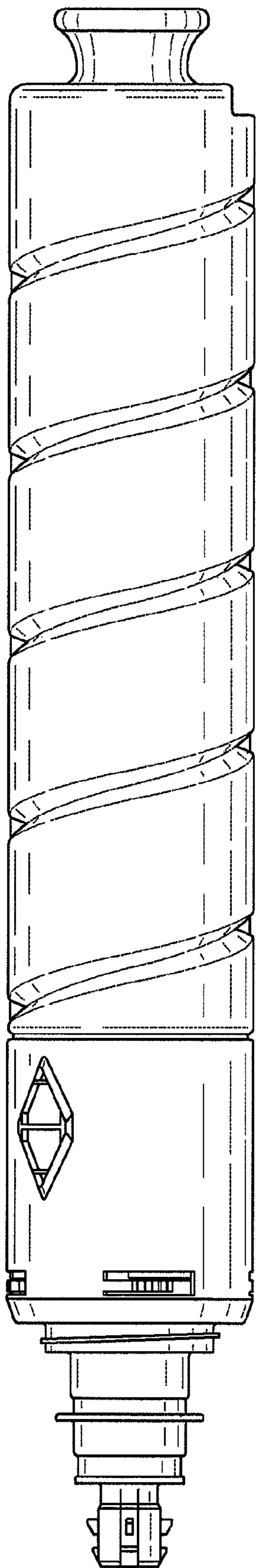


FIG. 3

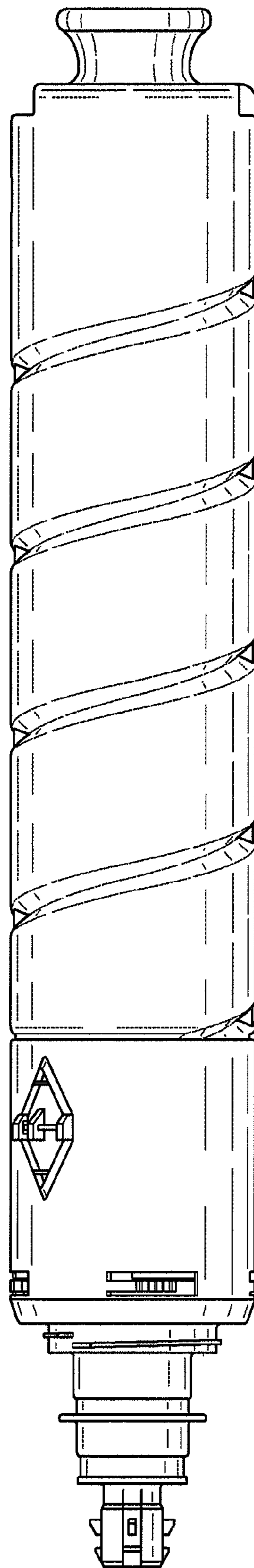


FIG. 4

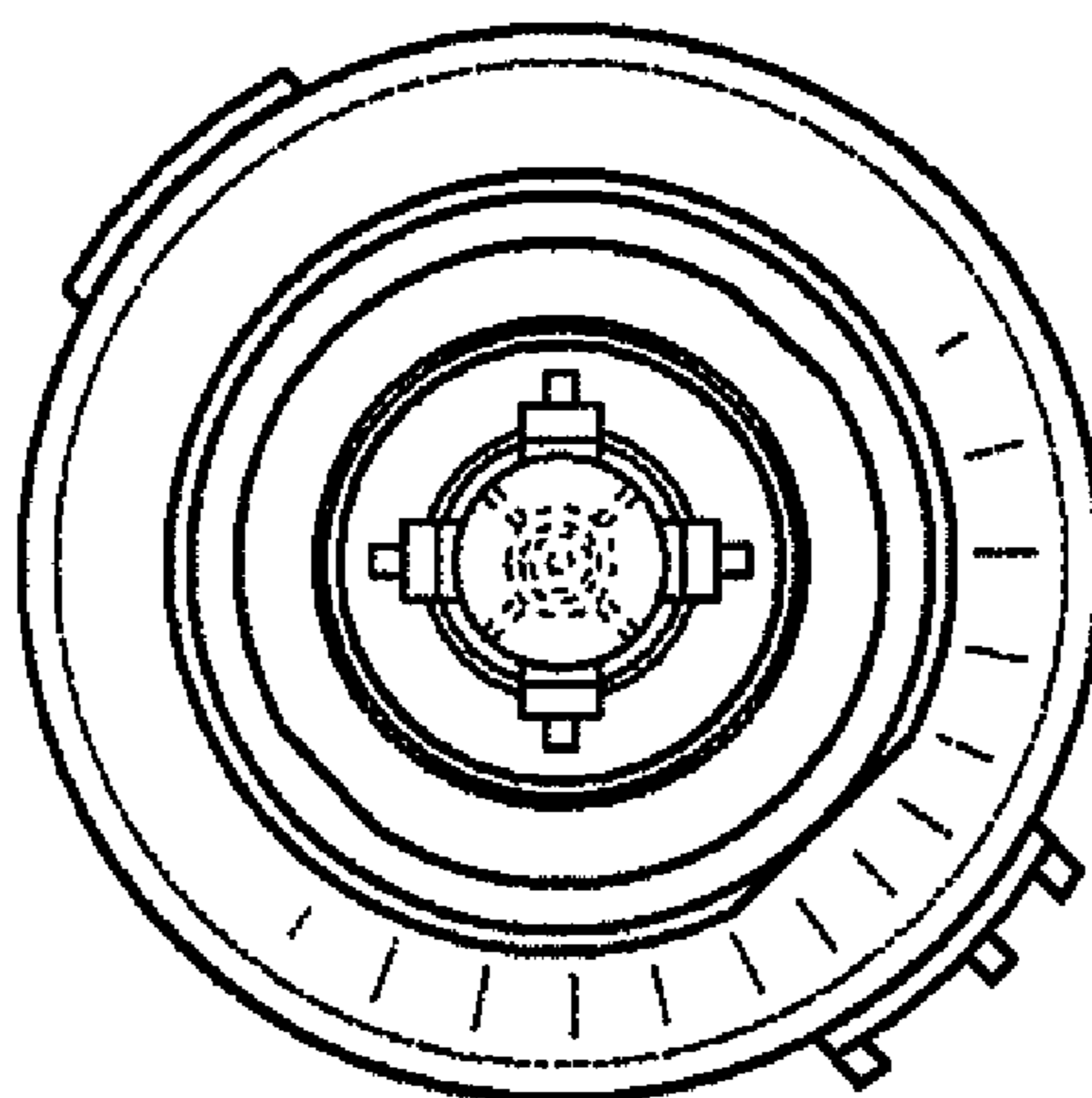


FIG. 5

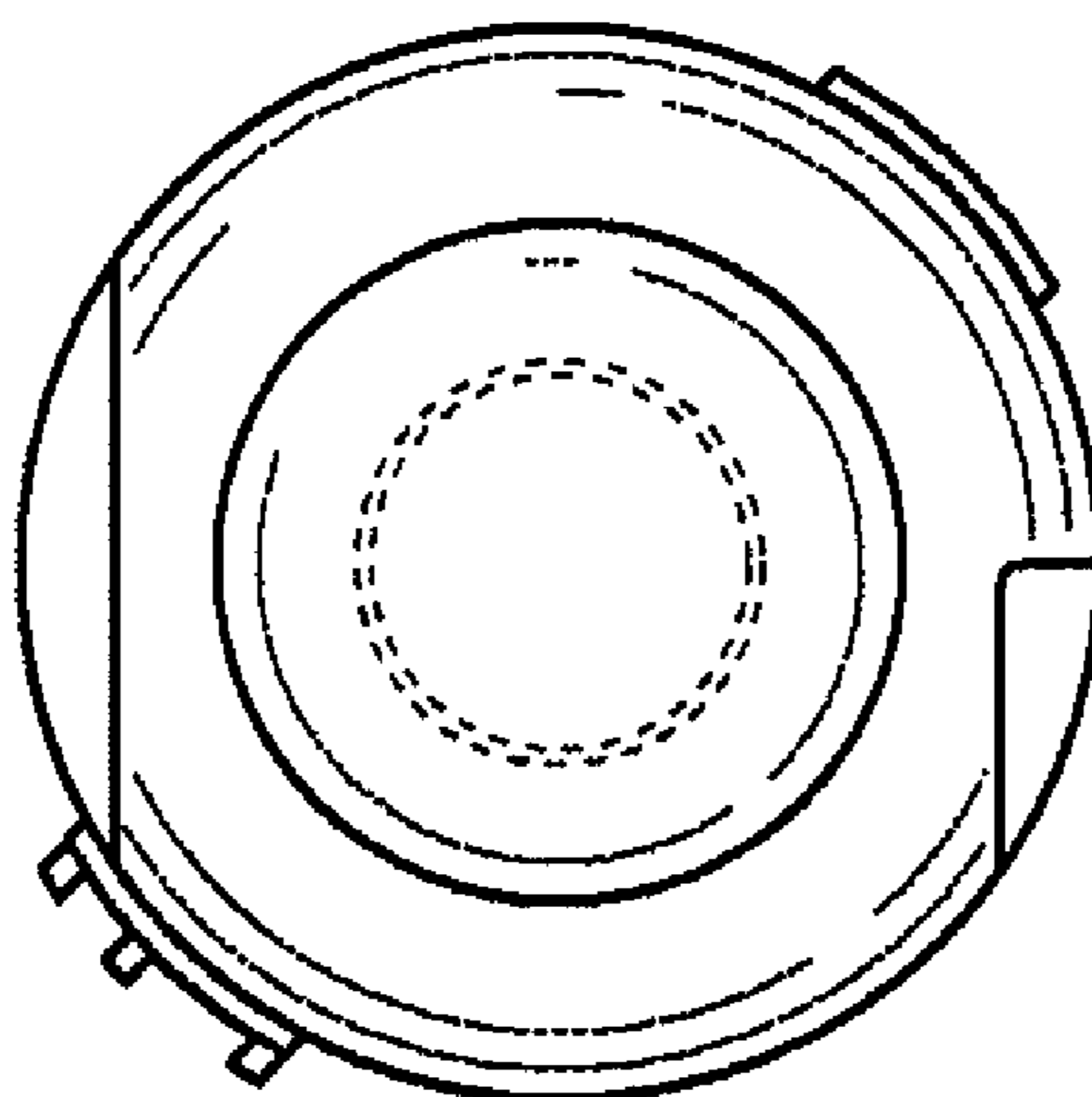


FIG. 6

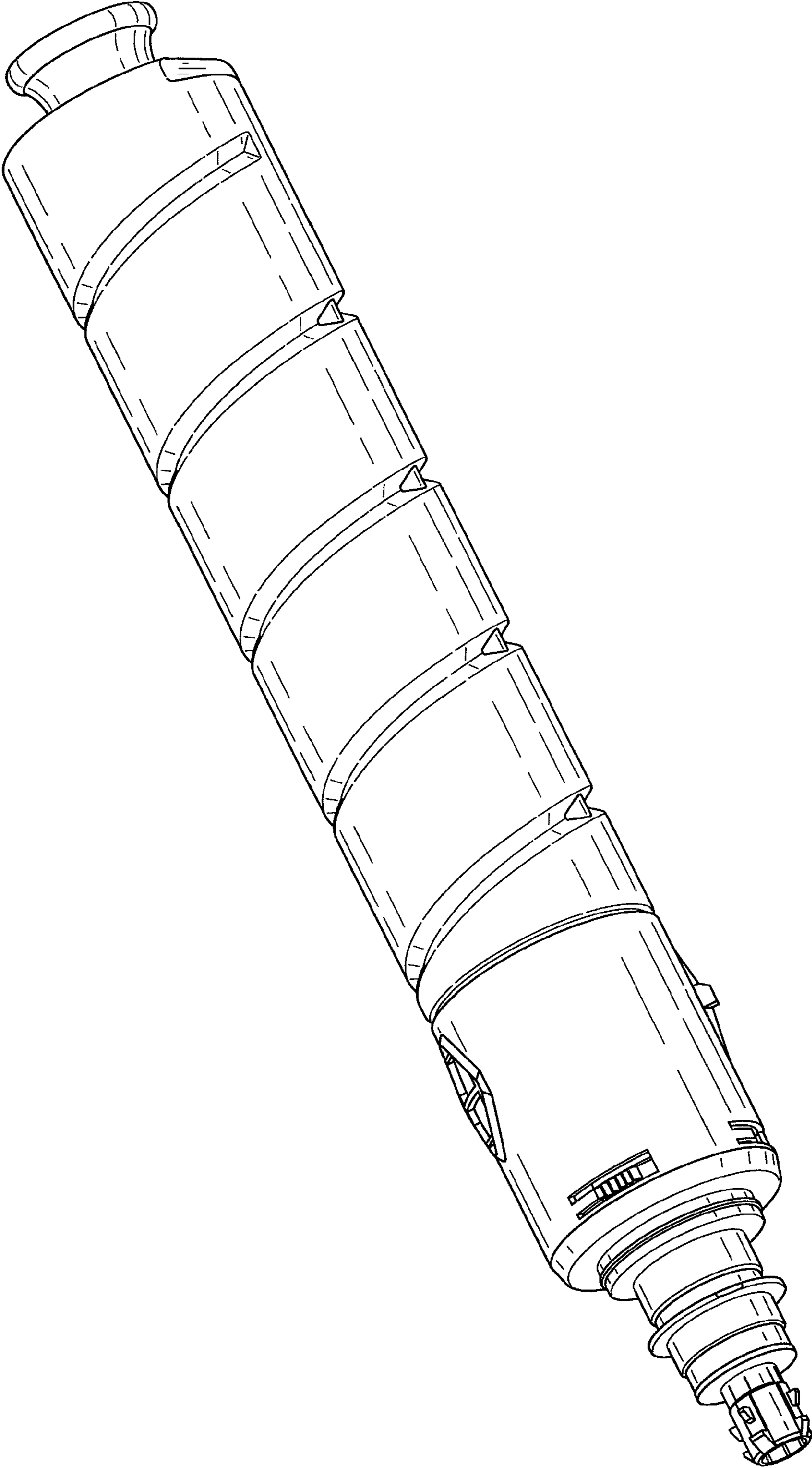


FIG. 7