



US00D616487S

(12) **United States Design Patent**
Riley

(10) **Patent No.:** **US D616,487 S**

(45) **Date of Patent:** **** May 25, 2010**

(54) **EYEGLASS TEMPLE BAR WITH CLIP**

(76) Inventor: **William R. Riley**, 111 Sweetgum Dr.,
Batesville, MS (US) 38606

(**) Term: **14 Years**

(21) Appl. No.: **29/330,256**

(22) Filed: **Jan. 2, 2009**

(51) **LOC (9) Cl.** **16-06**

(52) **U.S. Cl.** **D16/330**

(58) **Field of Classification Search** D16/300-330,
D16/332-338, 101; D29/109, 110; D24/110.2;
351/41, 44, 51, 52, 61, 62, 92, 103-111,
351/114-119, 121-123, 130, 158; 2/2, 426-432,
2/441, 447-449, 434-437

See application file for complete search history.

(56) **References Cited**

U.S. PATENT DOCUMENTS

D367,288 S *	2/1996	Francavilla	D16/335
D367,665 S *	3/1996	Yamamoto	D16/314
D379,191 S *	5/1997	Flanagan	D16/335
D419,177 S *	1/2000	Bolling et al.	D16/336
6,017,120 A *	1/2000	McCormick	351/112
6,343,859 B1 *	2/2002	McCormick	351/112
6,543,895 B2 *	4/2003	Fukai	351/112
6,802,604 B2 *	10/2004	McCormick	351/112
6,852,075 B1 *	2/2005	Taylor	600/37

D523,061 S *	6/2006	Asman et al.	D16/335
7,410,252 B2 *	8/2008	Yang et al.	351/90
2002/0021405 A1 *	2/2002	Fukai	351/57

* cited by examiner

Primary Examiner—Raphael Barkai

Assistant Examiner—Randall H Gholson

(74) *Attorney, Agent, or Firm*—Wyatt, Tarrant & Comb, LLP;
H. Roy Berkenstock

(57) **CLAIM**

I claim the ornamental design for an eyeglass temple bar with clip, as shown and described.

DESCRIPTION

FIG. 1 is a perspective view of an eyeglass temple bar with clip according to the present invention;

FIG. 2 is a left side view thereof;

FIG. 3 is a right side view thereof;

FIG. 4 is a bottom view thereof;

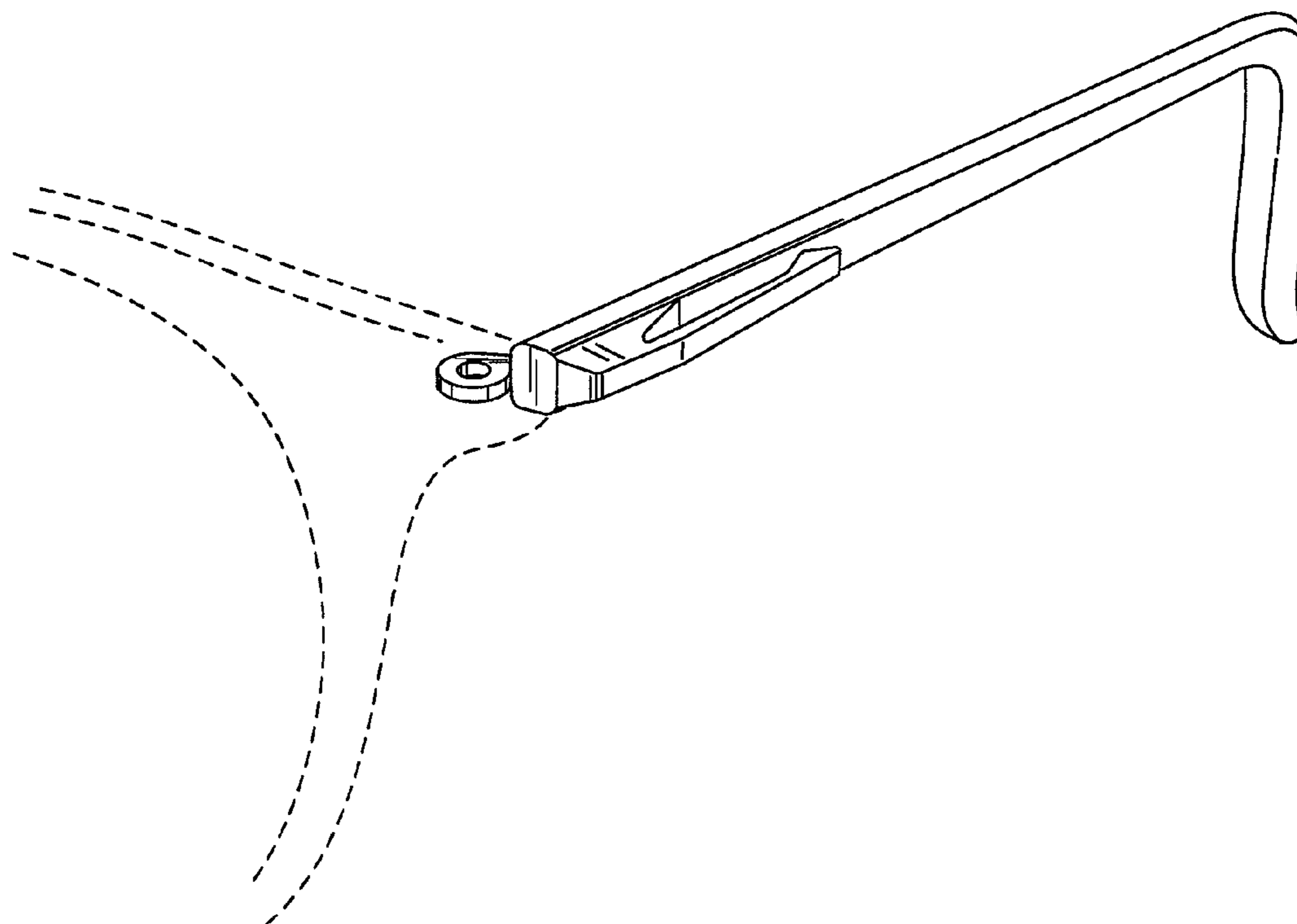
FIG. 5 is a top view thereof;

FIG. 6 is a front end view thereof; and,

FIG. 7 is a rear end view thereof.

The broken lines in FIG. 1 is for illustrative purposes only and form no part of the claimed design.

1 Claim, 2 Drawing Sheets



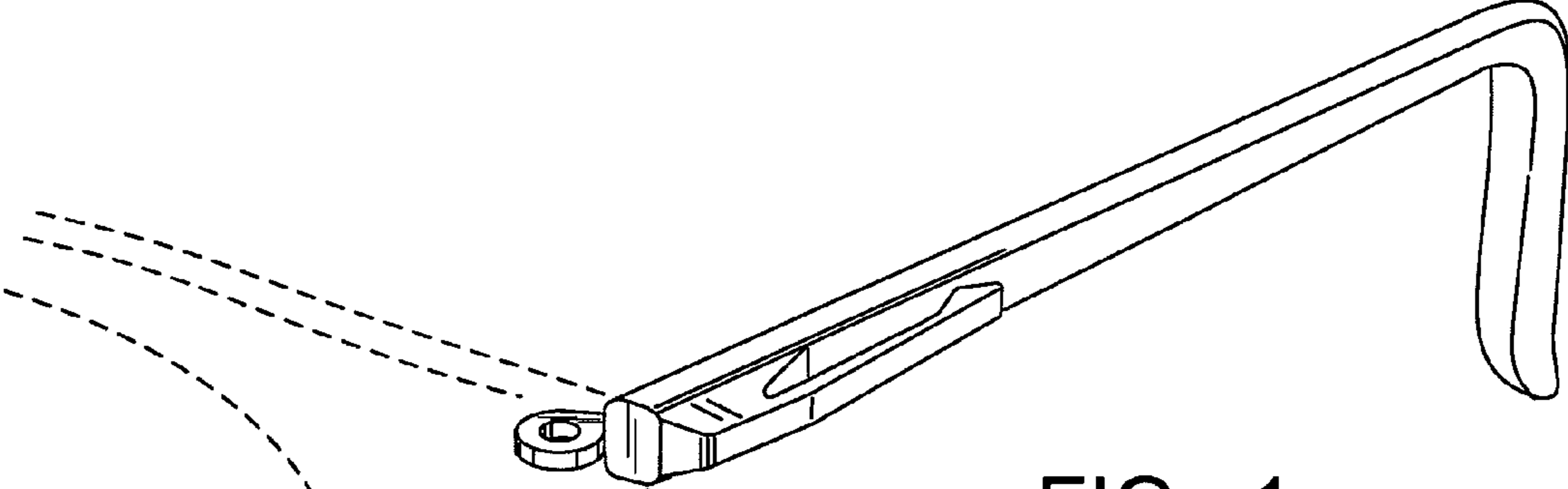


FIG. 1

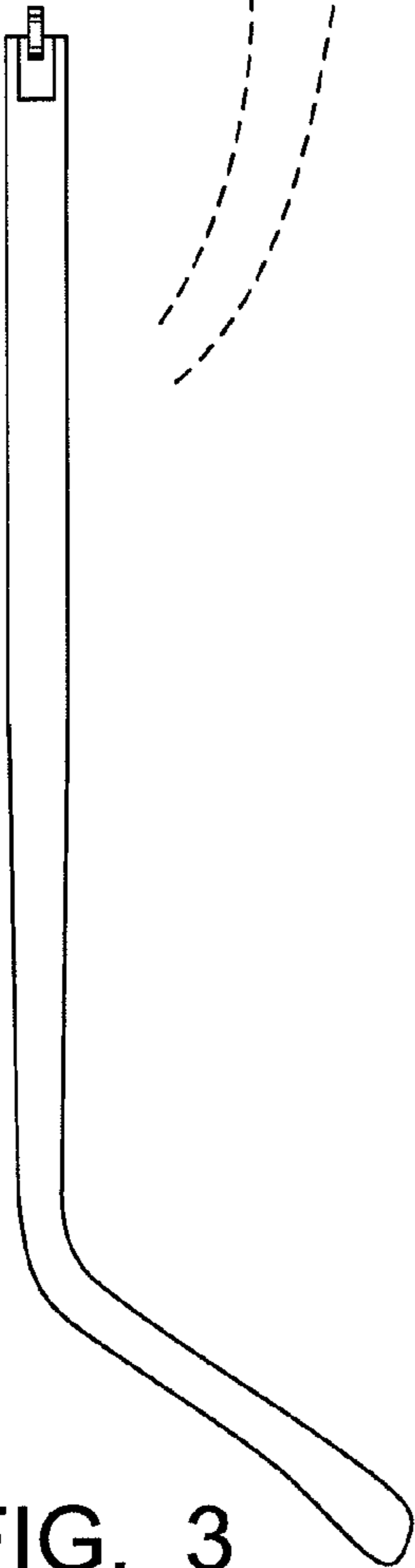


FIG. 3

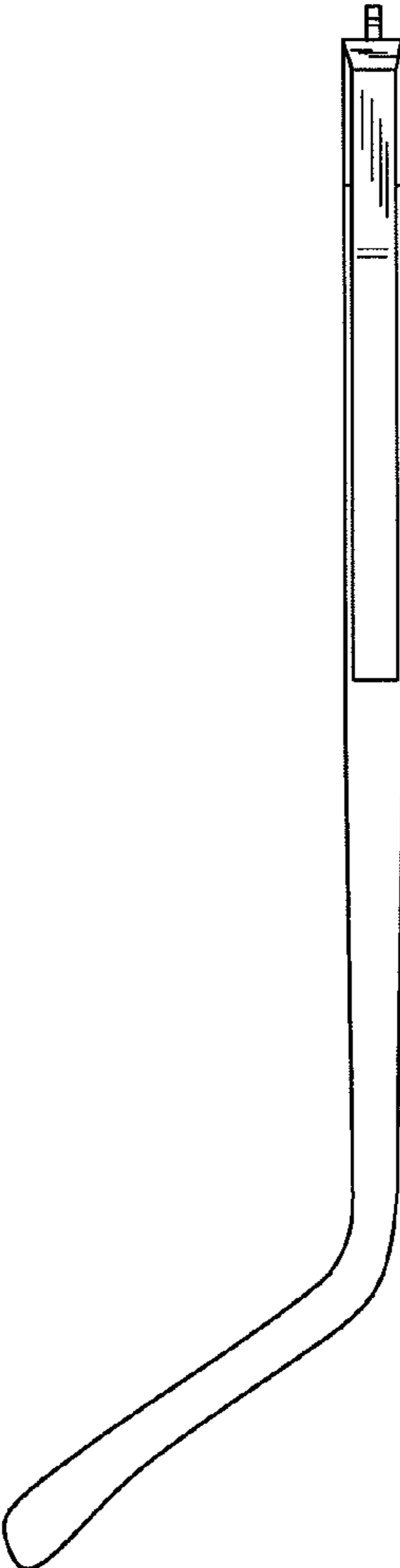


FIG. 2

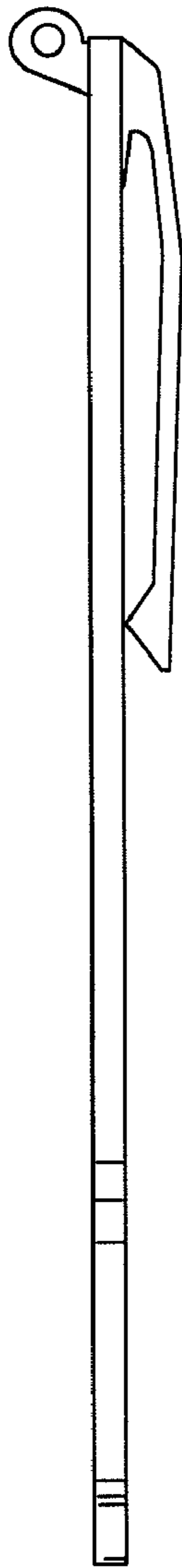


FIG. 4

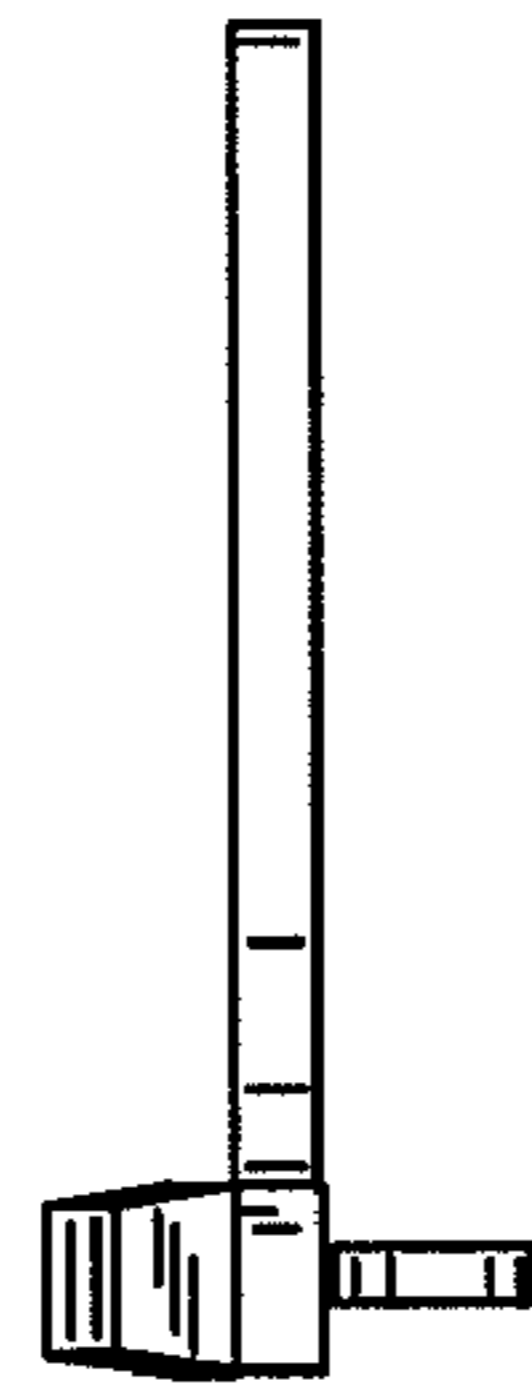


FIG. 6

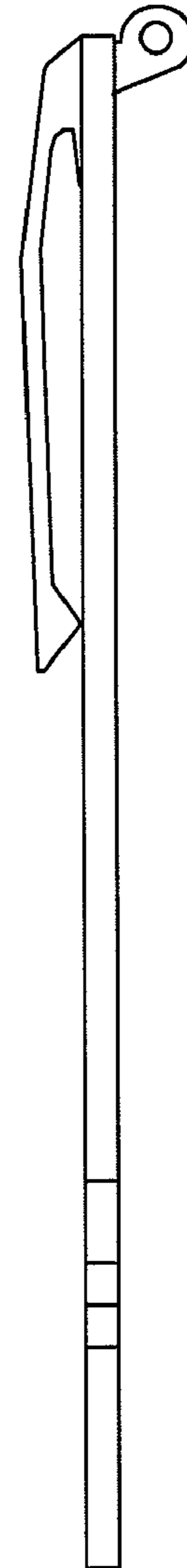


FIG. 5

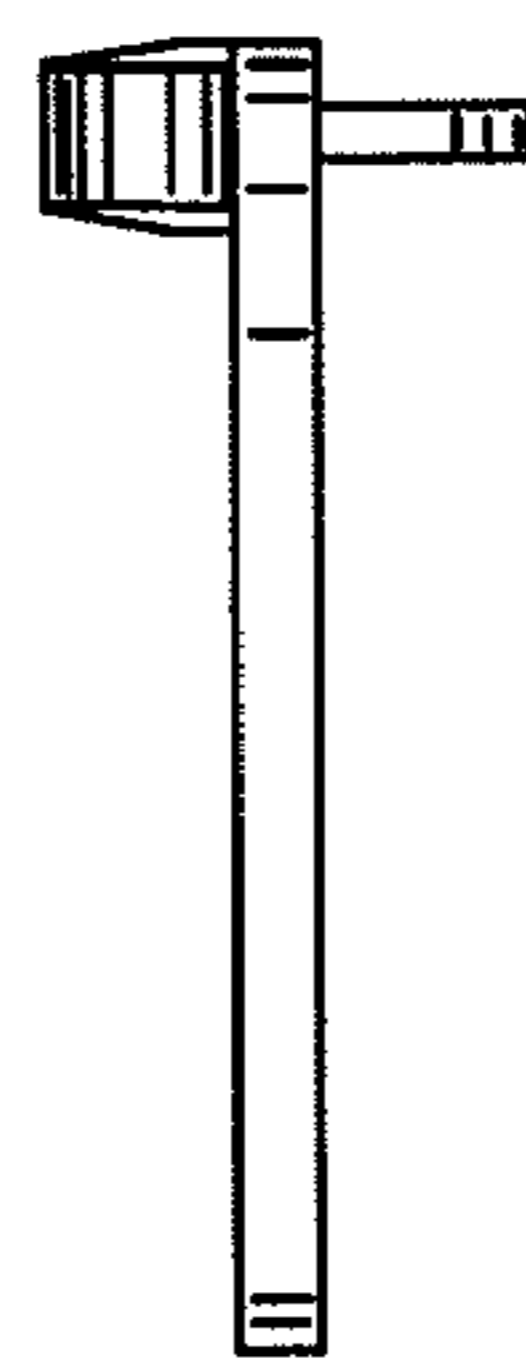


FIG. 7