

US00D616483S

(12) **United States Design Patent**
Moritz

(10) **Patent No.:** **US D616,483 S**

(45) **Date of Patent:** **** May 25, 2010**

(54) **GOGGLE**

(75) Inventor: **Hans Karsten Moritz**, Foothill Ranch,
CA (US)

(73) Assignee: **Oakley, Inc.**, Foothill Ranch, CA (US)

(**) Term: **14 Years**

(21) Appl. No.: **29/316,740**

(22) Filed: **Oct. 27, 2009**

(51) **LOC (9) Cl.** **16-06**

(52) **U.S. Cl.** **D16/312**

(58) **Field of Classification Search** D16/101,
D16/300-342; D29/109-110; D24/110.2;
351/41, 44, 51-52, 62, 158, 92, 103-123,
351/140, 153, 45-46; 2/426-432, 447-449,
2/441, 434-437, 13, 15; D21/483, 659-661
See application file for complete search history.

(56) **References Cited**

U.S. PATENT DOCUMENTS

4,290,673 A	9/1981	Yamamoto
D390,863 S	2/1998	Bennell et al.
D427,225 S	6/2000	Arnette
D439,267 S	3/2001	Hussey
D442,206 S	5/2001	Meyerhoffer
D457,910 S	5/2002	Tsubooka

D477,010 S	7/2003	Moritz et al.	
D488,182 S	4/2004	Sheldon et al.	
D510,378 S	10/2005	Dondero et al.	
D519,147 S	4/2006	Moritz et al.	
D537,100 S	2/2007	Moritz et al.	
D542,327 S *	5/2007	Hsu	D16/312
D544,900 S *	6/2007	Li	D16/312
D577,054 S	9/2008	Moritz	
D578,562 S	10/2008	Moritz	

* cited by examiner

Primary Examiner—Raphael Barkai

(74) *Attorney, Agent, or Firm*—Gregory K. Nelson

(57) **CLAIM**

The ornamental design for a goggle, as shown and described.

DESCRIPTION

FIG. 1 is a perspective view of the goggle front of the present invention;

FIG. 2 is a front elevational view thereof;

FIG. 3 is a rear elevational view thereof;

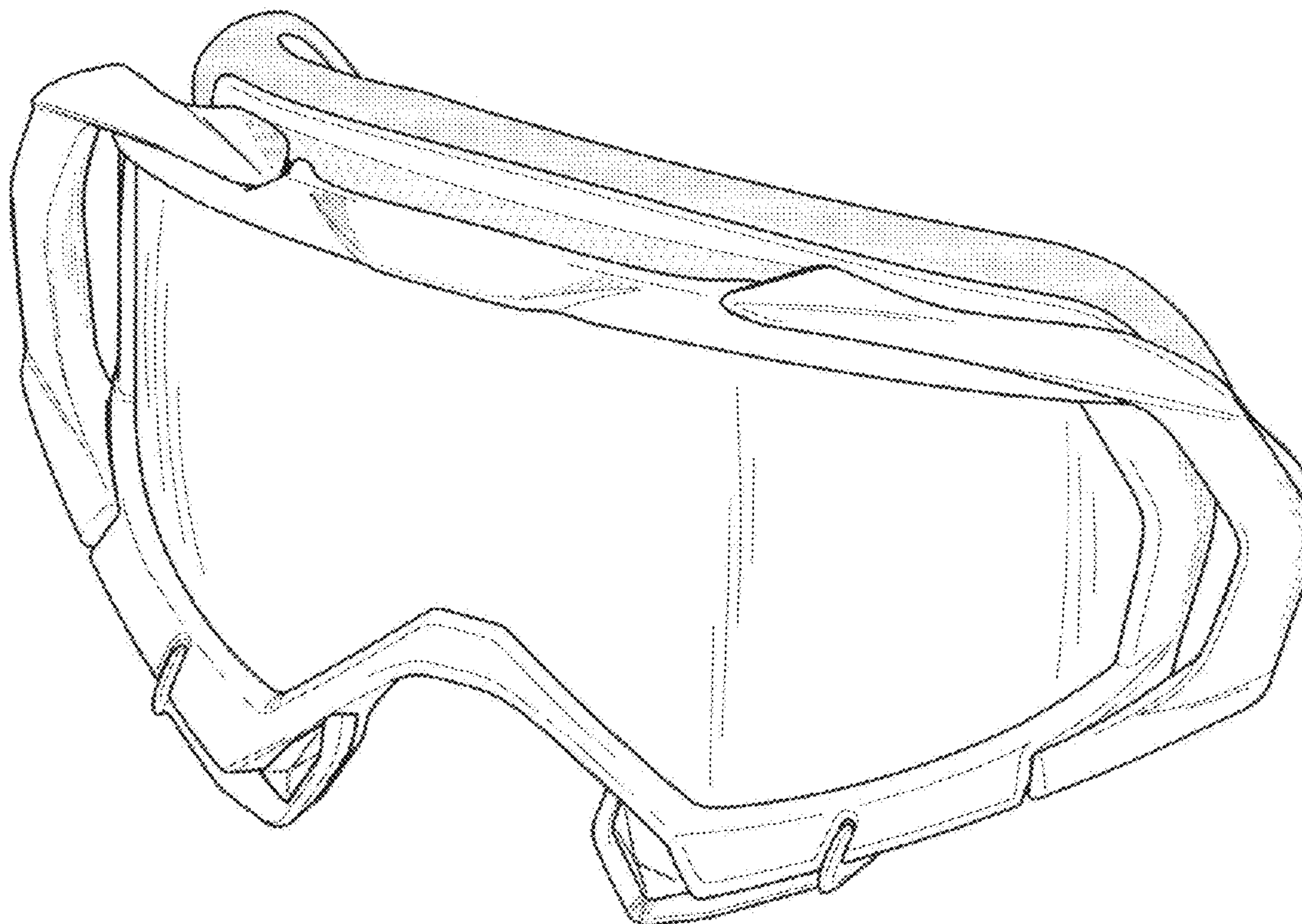
FIG. 4 is a right-side elevational view thereof;

FIG. 5 is a left-side elevational view thereof;

FIG. 6 is a top plan view thereof; and,

FIG. 7 is a bottom plan view thereof.

1 Claim, 4 Drawing Sheets



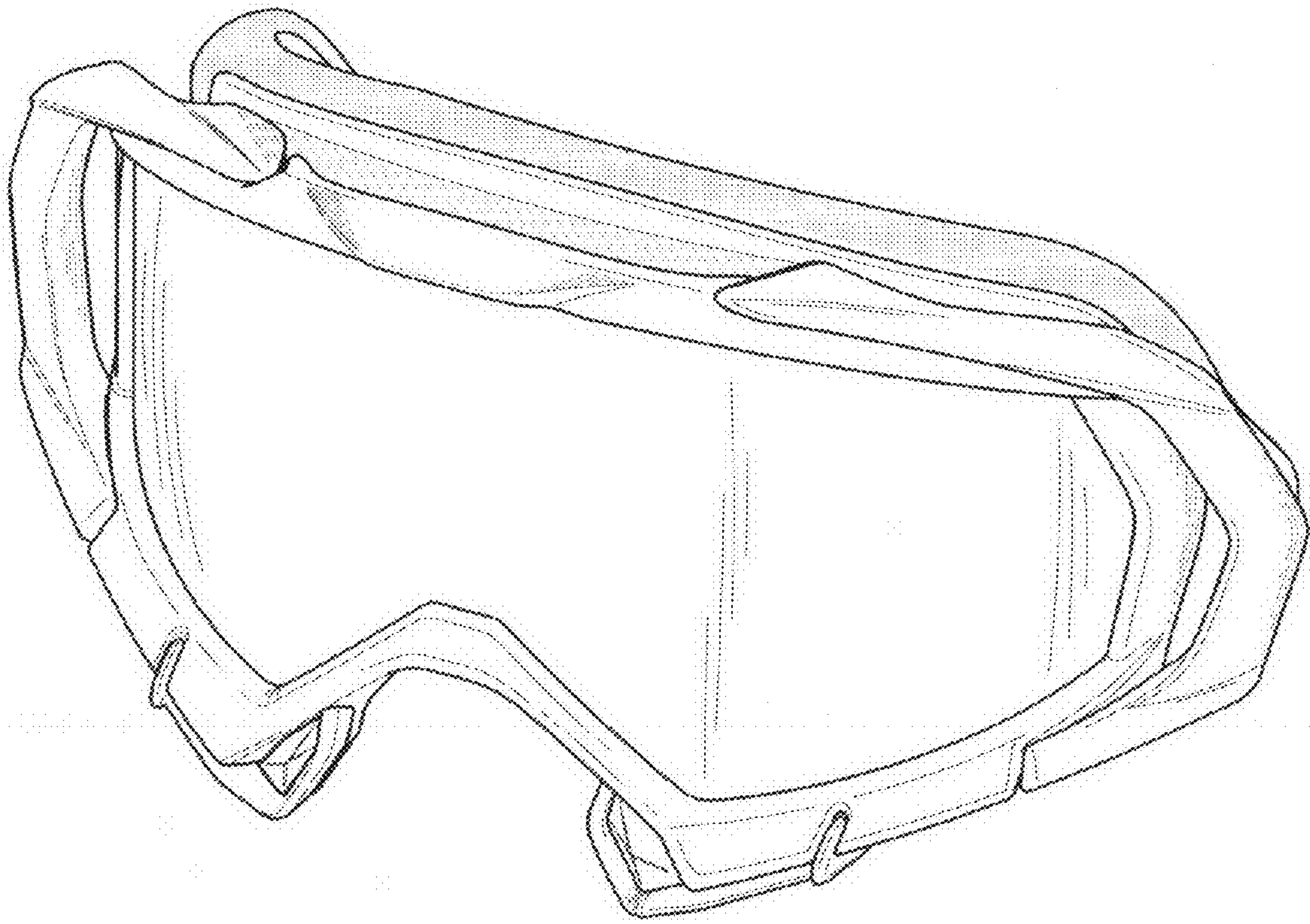


FIG. 1

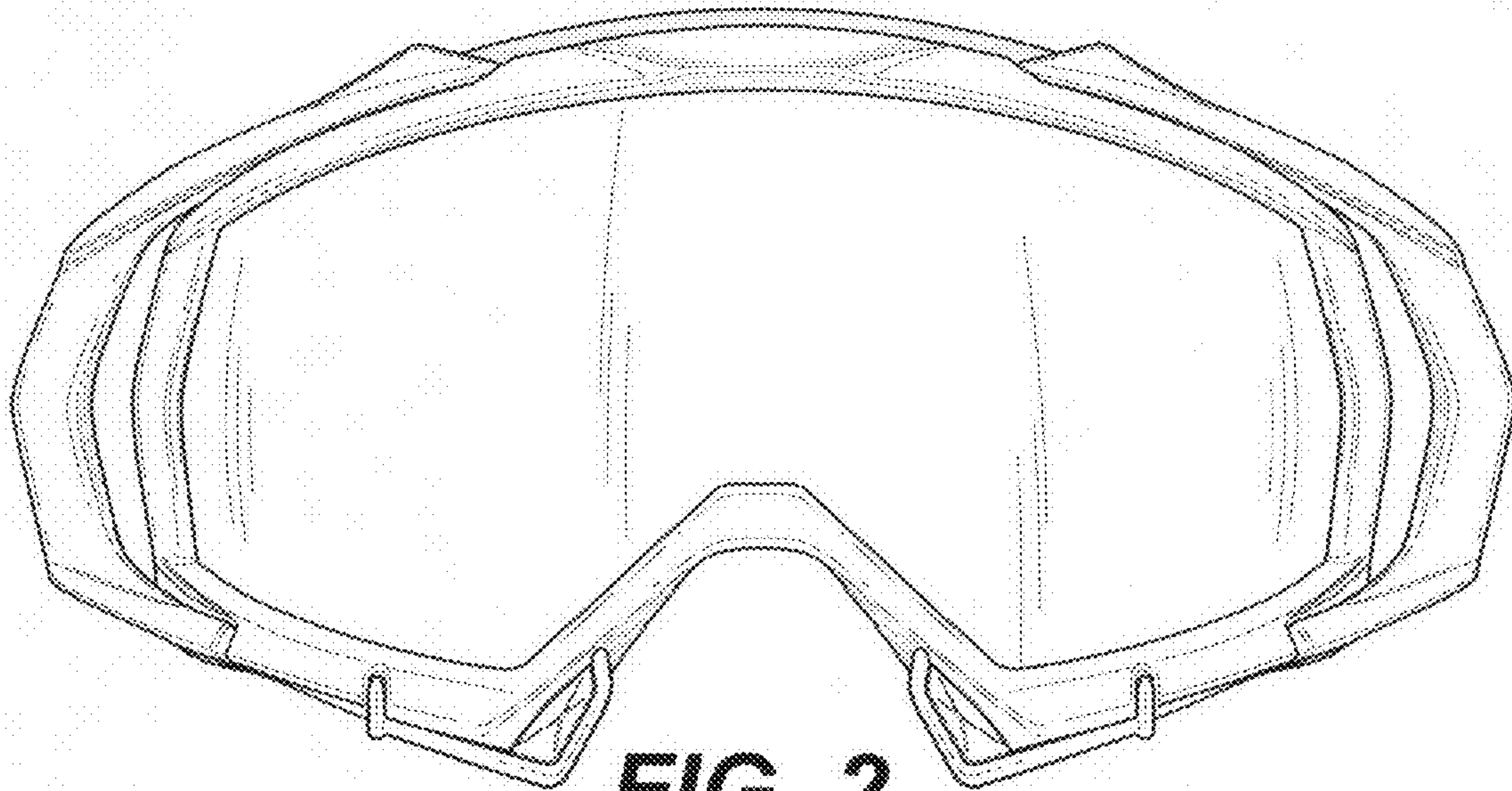


FIG. 2

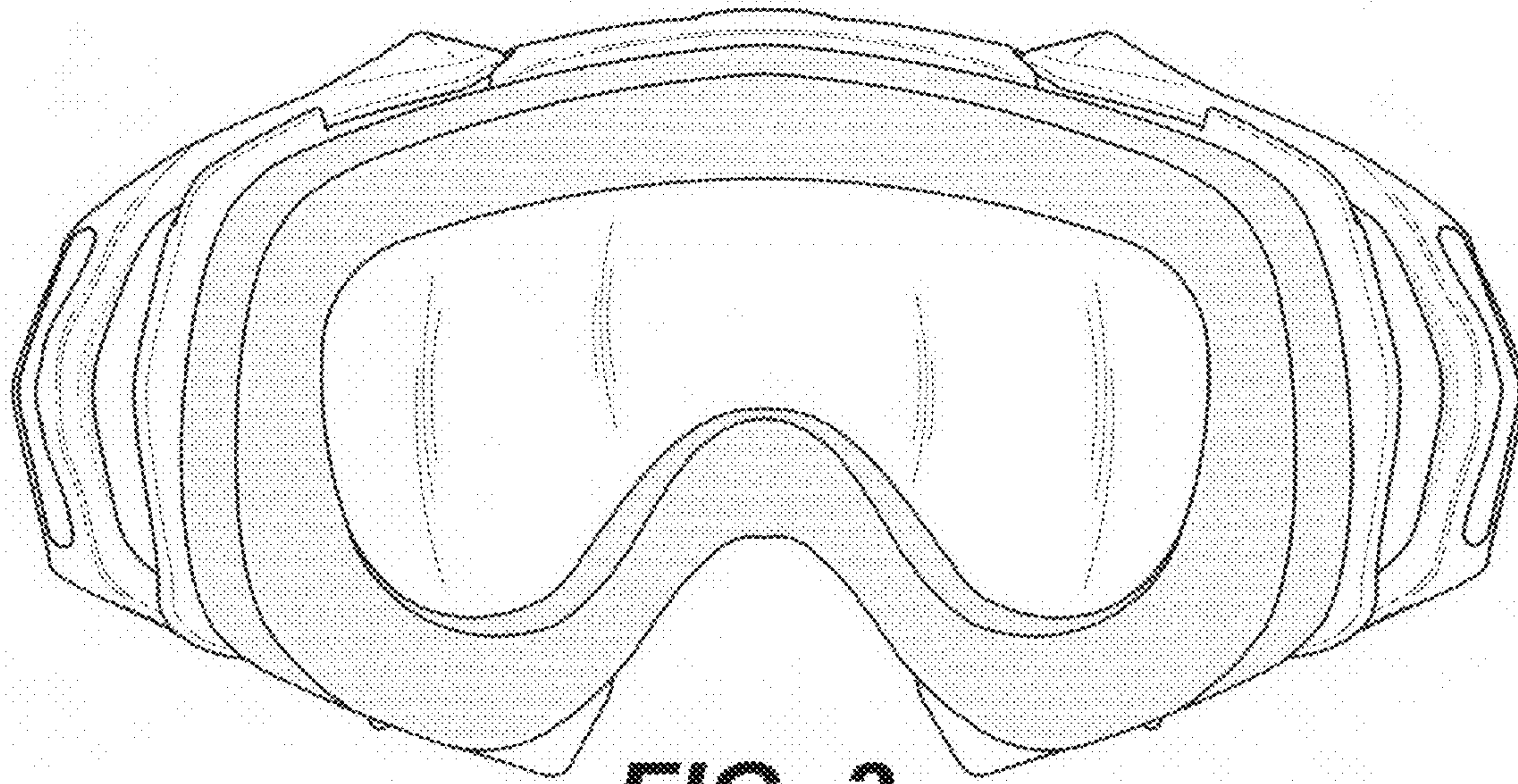


FIG. 3

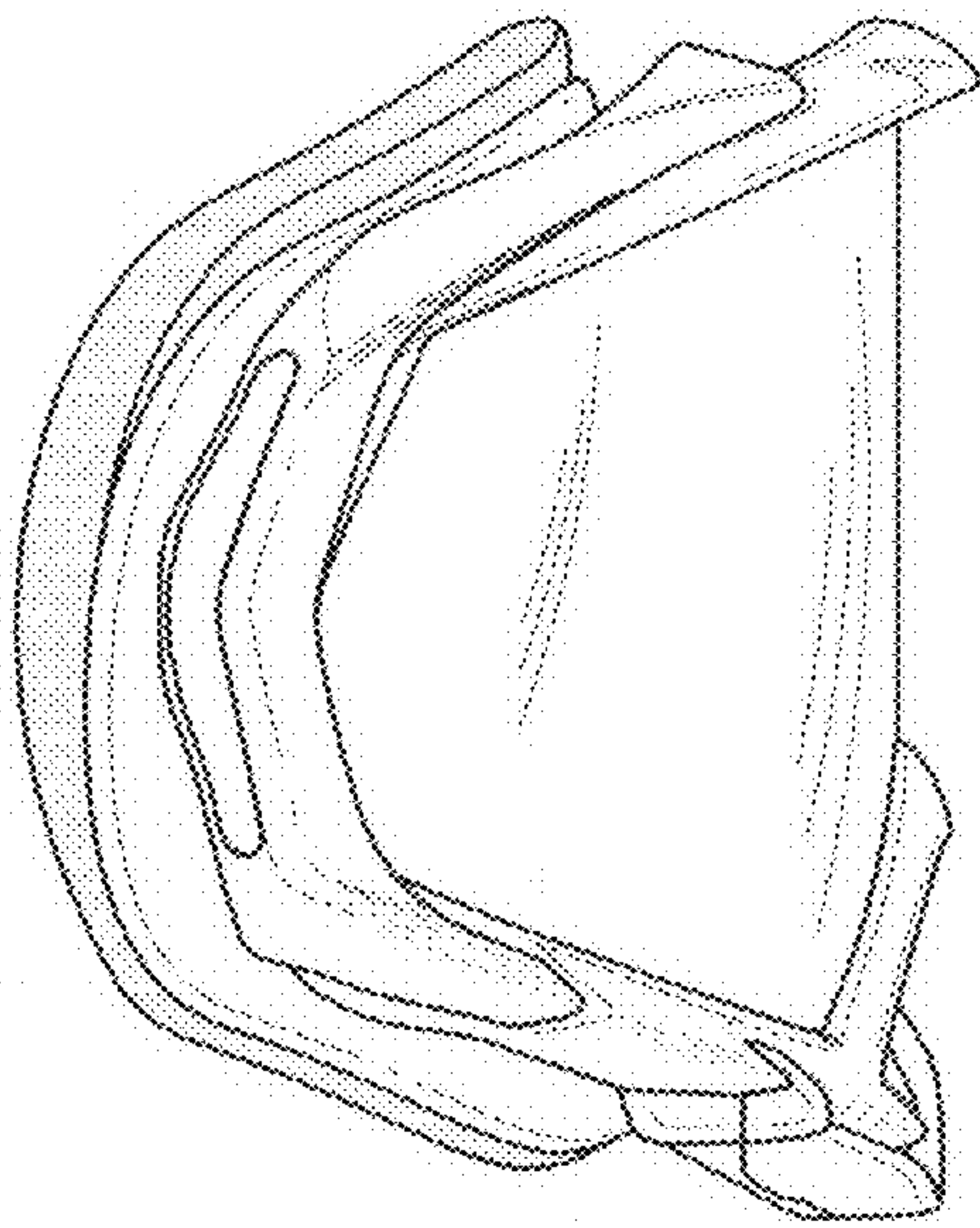


FIG. 4

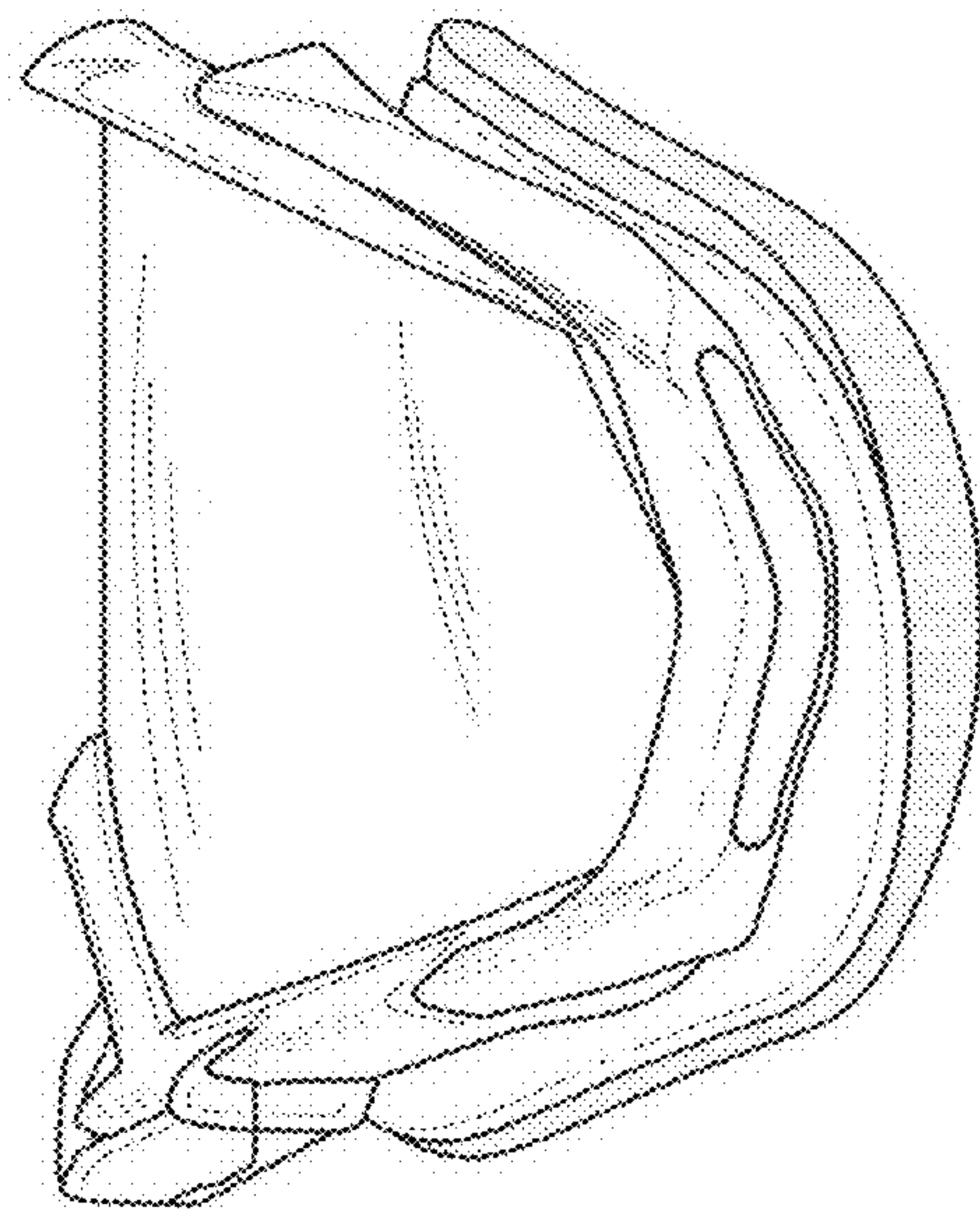


FIG. 5

