



US00D616482S

(12) **United States Design Patent**
Nishi et al.

(10) **Patent No.:** **US D616,482 S**

(45) **Date of Patent:** **** May 25, 2010**

(54) **LAMP FOR PROJECTOR**

(75) Inventors: **Toshizo Nishi**, Matsumoto (JP); **Hiroshi Kobayashi**, Shiojiri (JP)

(73) Assignee: **Seiko Epson Corporation**, Tokyo (JP)

(**) Term: **14 Years**

(21) Appl. No.: **29/339,538**

(22) Filed: **Jul. 1, 2009**

(30) **Foreign Application Priority Data**

Apr. 9, 2009 (JP) D2009-008164

(51) **LOC (9) Cl.** **16-02**

(52) **U.S. Cl.** **D16/235**

(58) **Field of Classification Search** D16/221,
D16/225, 235-236; D26/1, 24, 28, 36; 352/198,
352/203; 353/87, 97-98, 119; 362/242,
362/294, 362, 368, 430

See application file for complete search history.

(56) **References Cited**

U.S. PATENT DOCUMENTS

D420,455 S * 2/2000 Haba et al. D26/1
D424,089 S * 5/2000 Takizawa D16/221
6,461,025 B1 * 10/2002 Payne 362/362
7,052,147 B2 * 5/2006 Katsuma et al. 353/119
D561,232 S * 2/2008 Nishizawa et al. D16/235

D589,997 S * 4/2009 Hieda et al. D16/235

* cited by examiner

Primary Examiner—Ian Simmons

Assistant Examiner—Wan Laymon

(74) *Attorney, Agent, or Firm*—Oliff & Berridge, PLC

(57) **CLAIM**

The ornamental design for a lamp for projector, as shown and described.

DESCRIPTION

FIG. 1 is a top front right-side perspective view of a lamp for projector;

FIG. 2 is a bottom front left-side perspective view thereof;

FIG. 3 is a top rear left-side perspective view thereof;

FIG. 4 is a bottom rear right-side perspective view thereof;

FIG. 5 is front view thereof;

FIG. 6 is rear view thereof;

FIG. 7 is left-side view thereof;

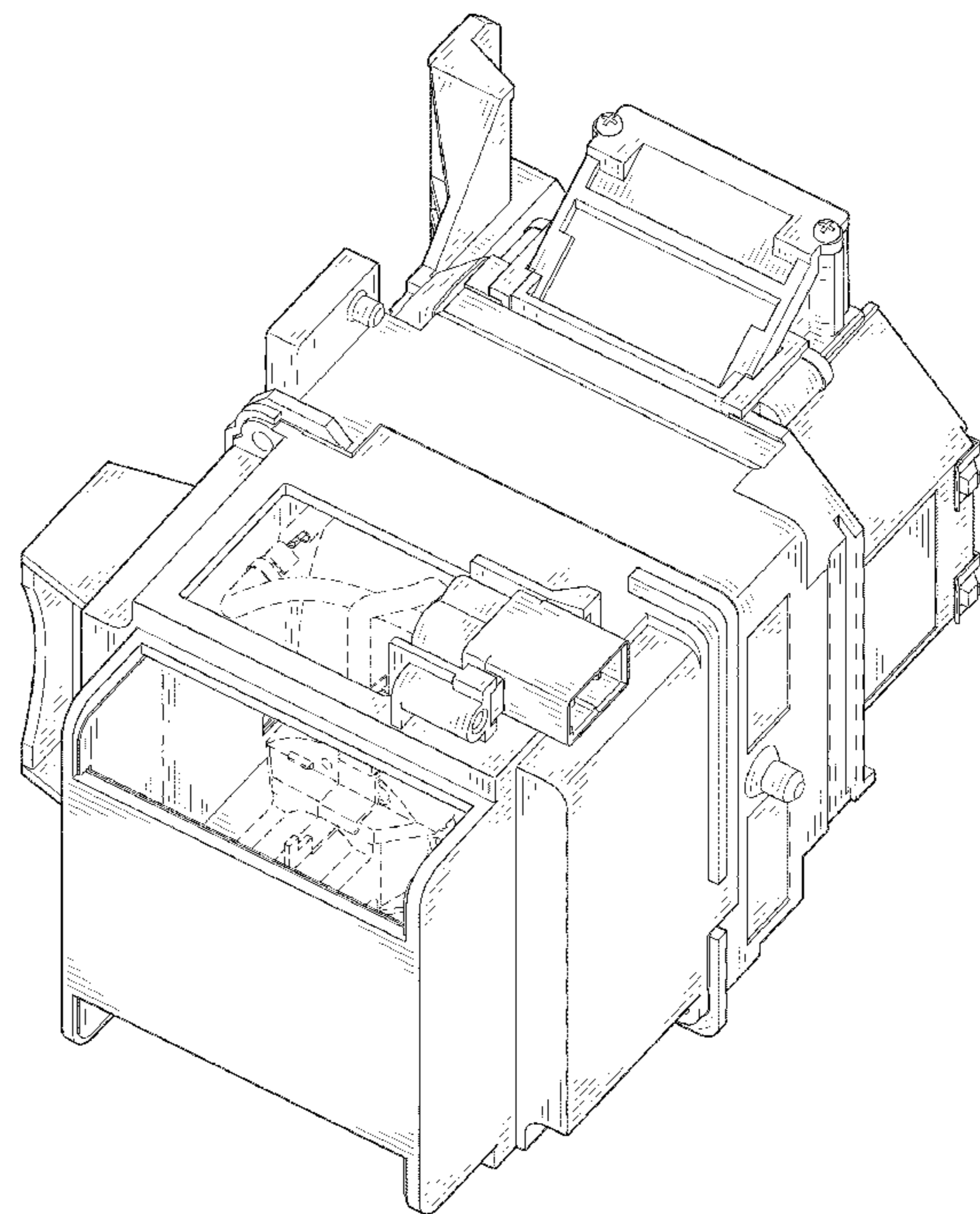
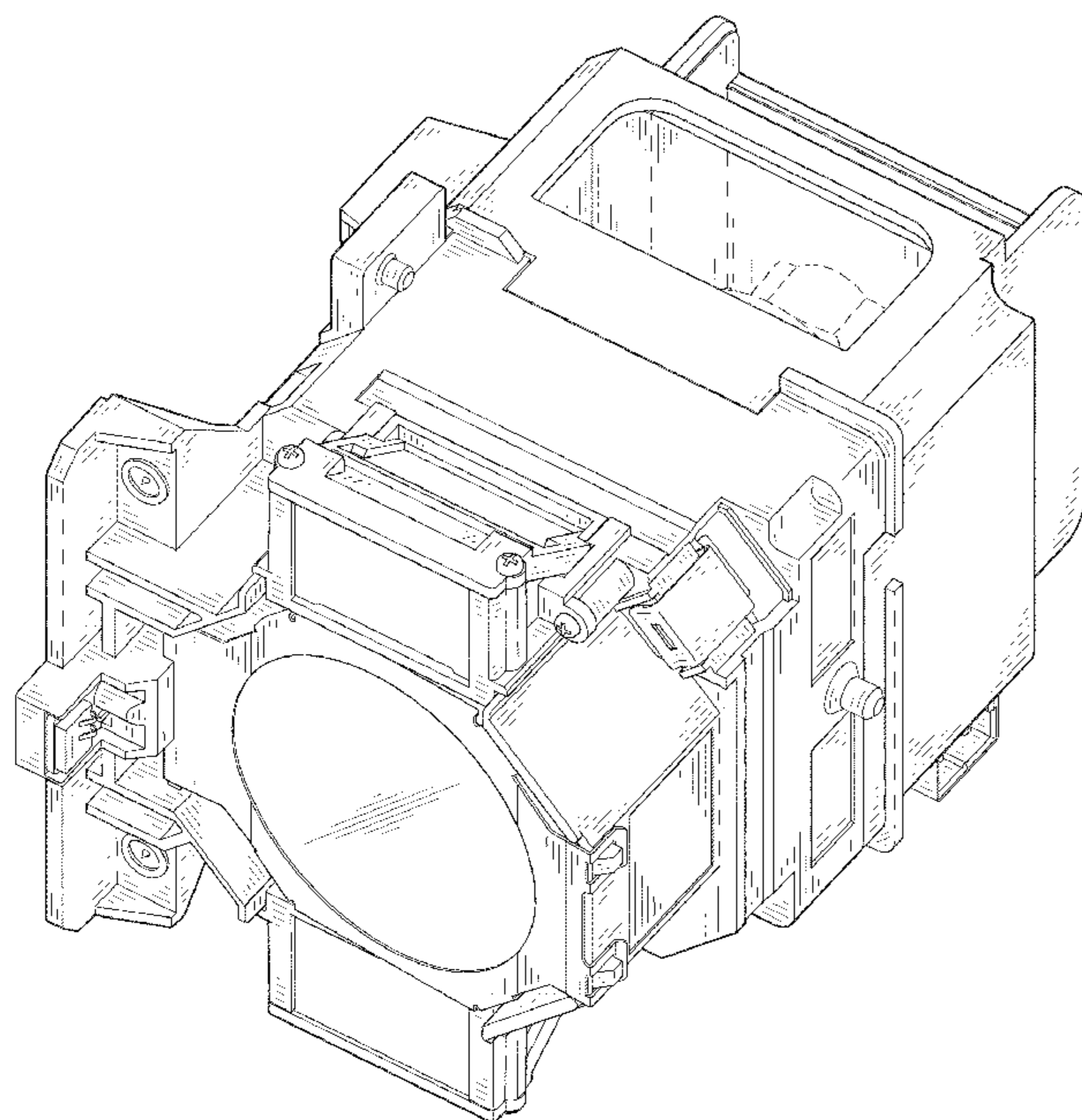
FIG. 8 is right-side view thereof;

FIG. 9 is top view thereof; and,

FIG. 10 is a bottom view thereof.

The broken lines depict environmental subject matter only and form no part of the claimed design.

1 Claim, 8 Drawing Sheets



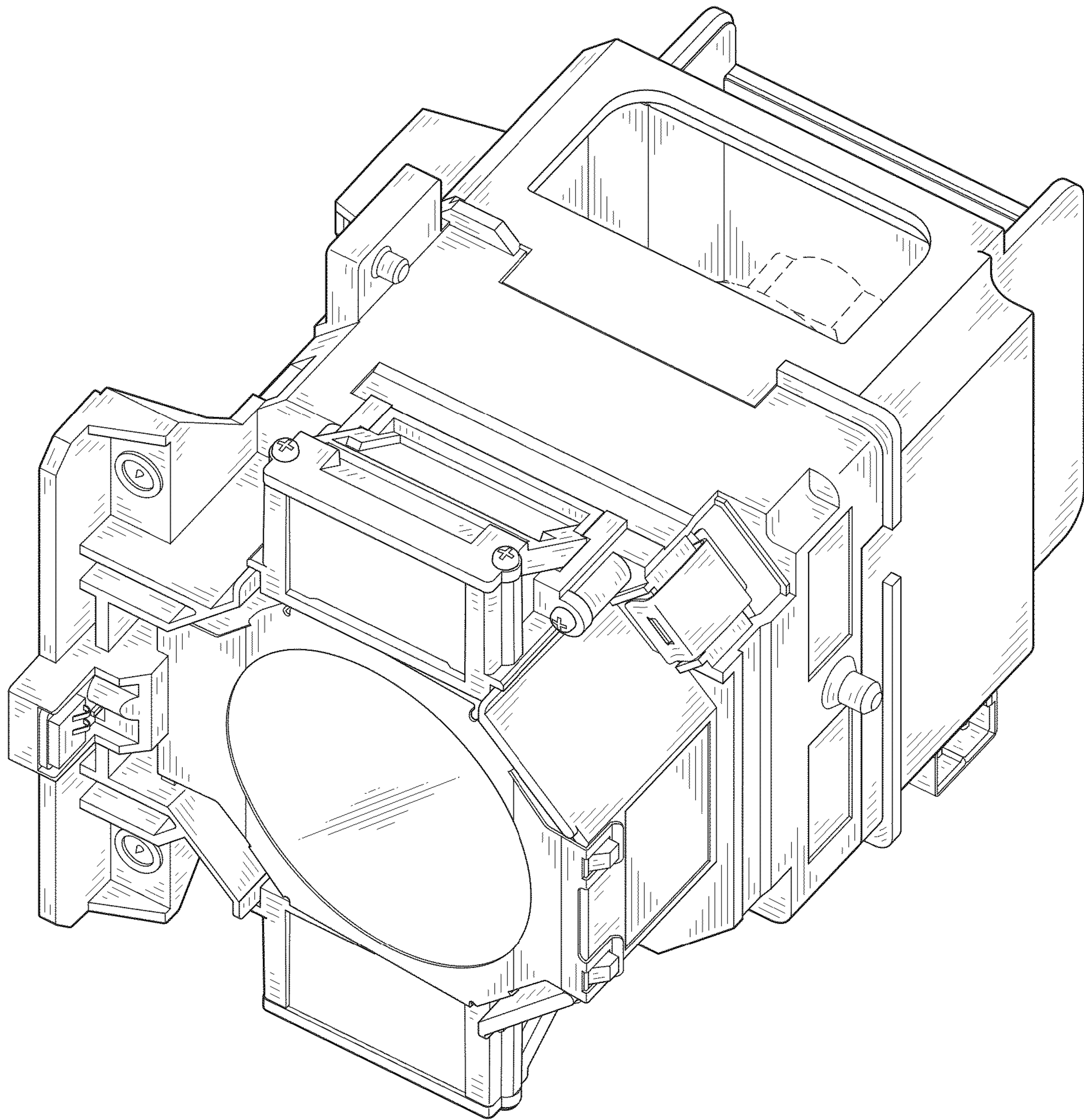


FIG. 1

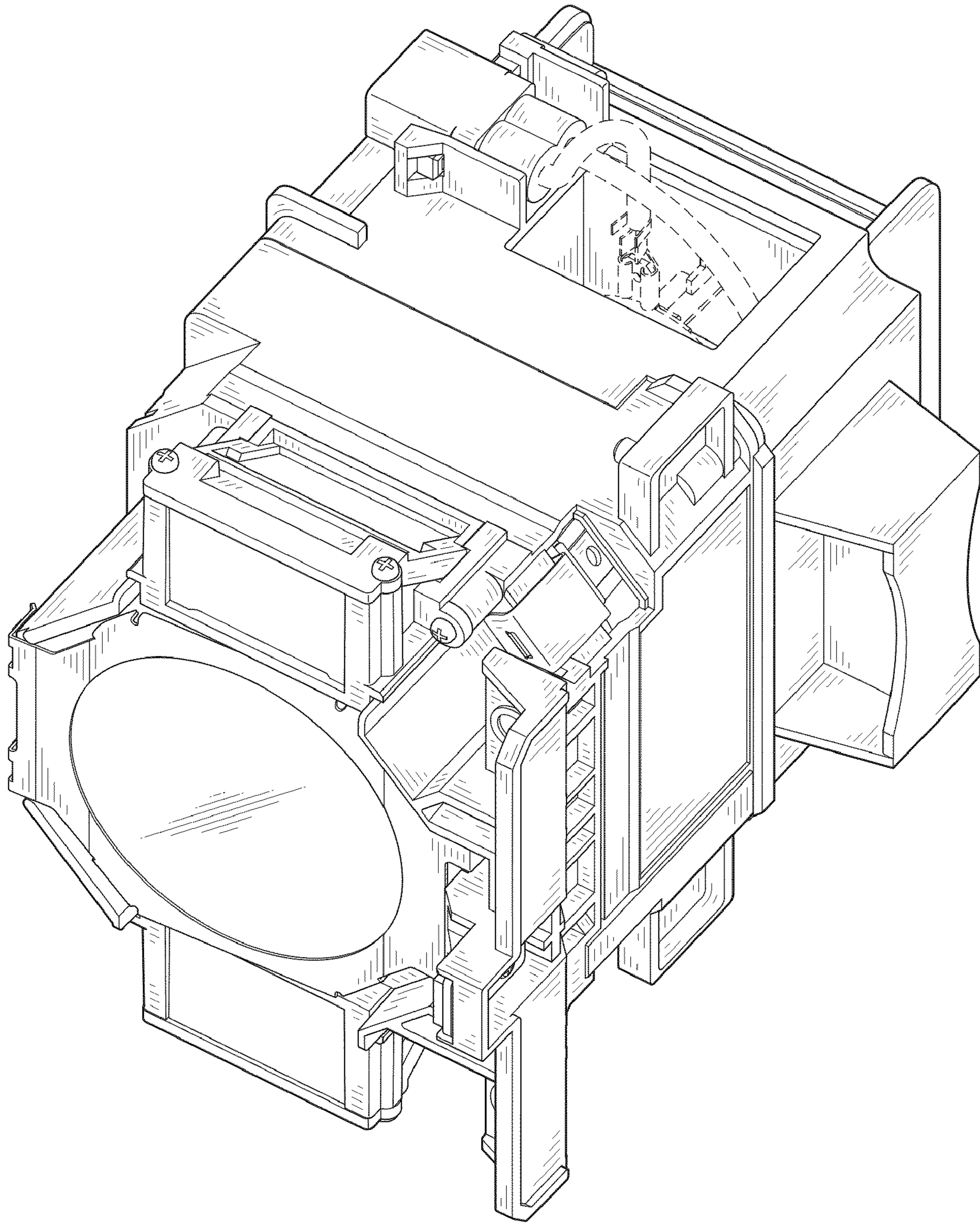


FIG. 2

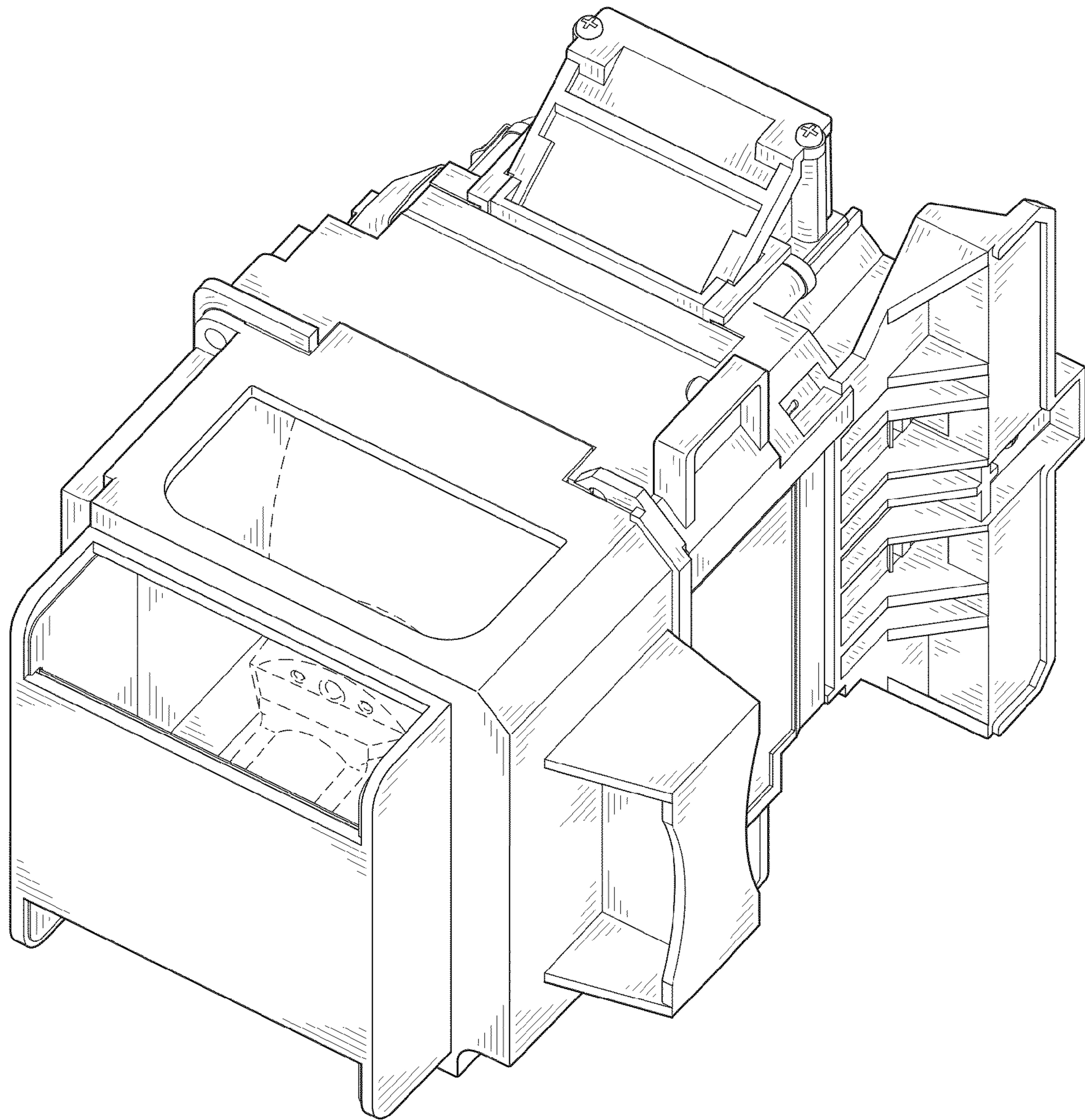


FIG. 3

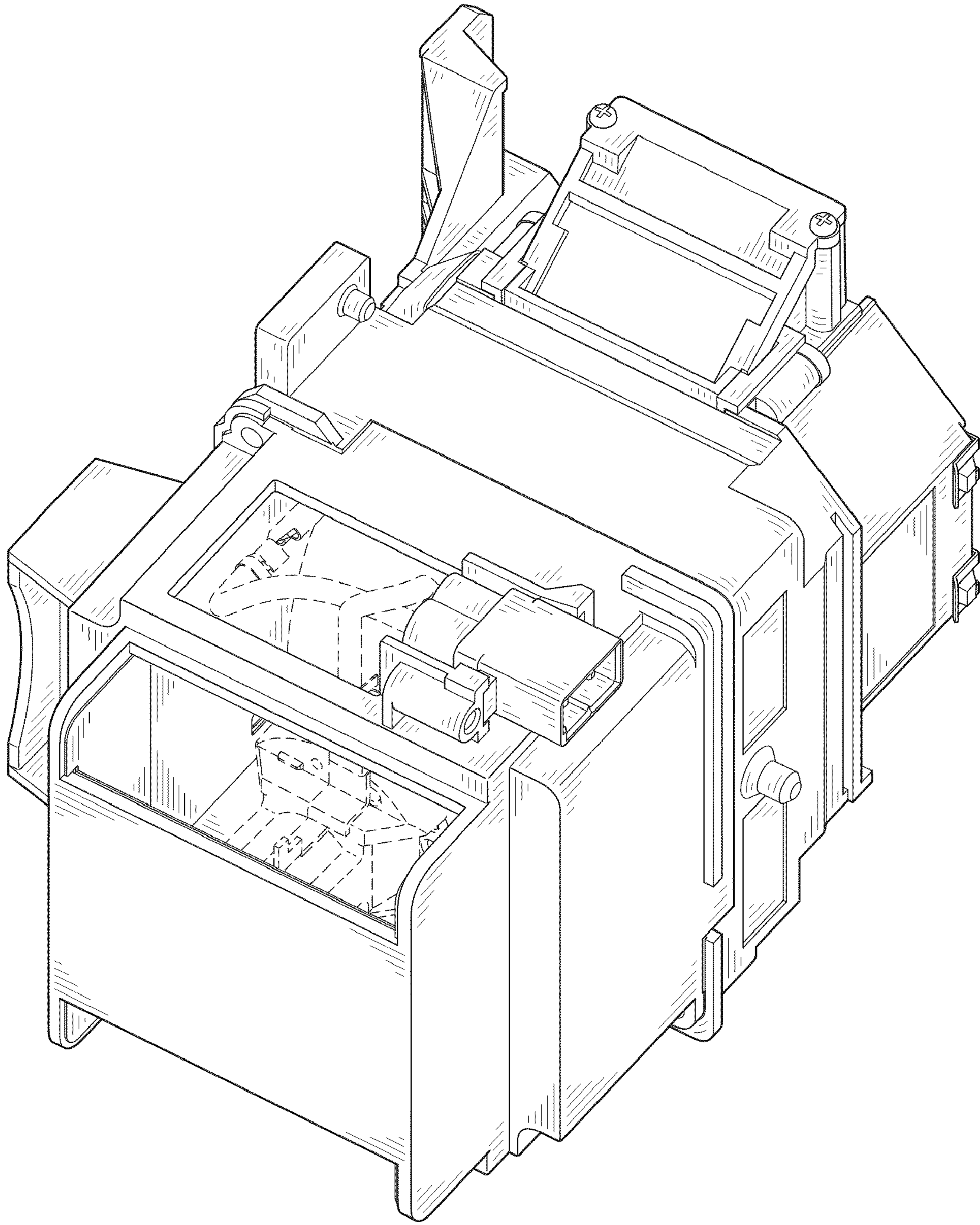


FIG. 4

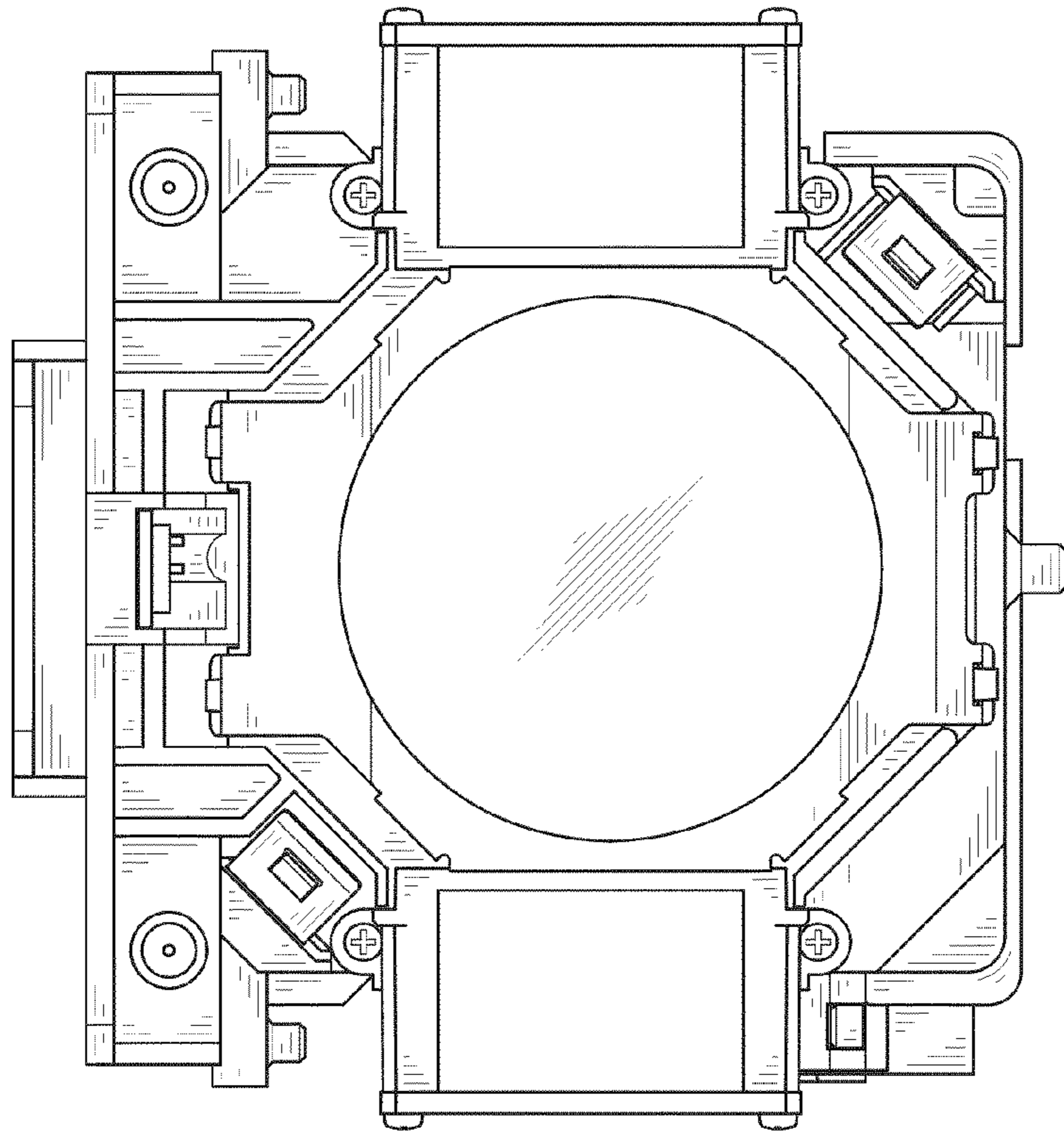


FIG. 5

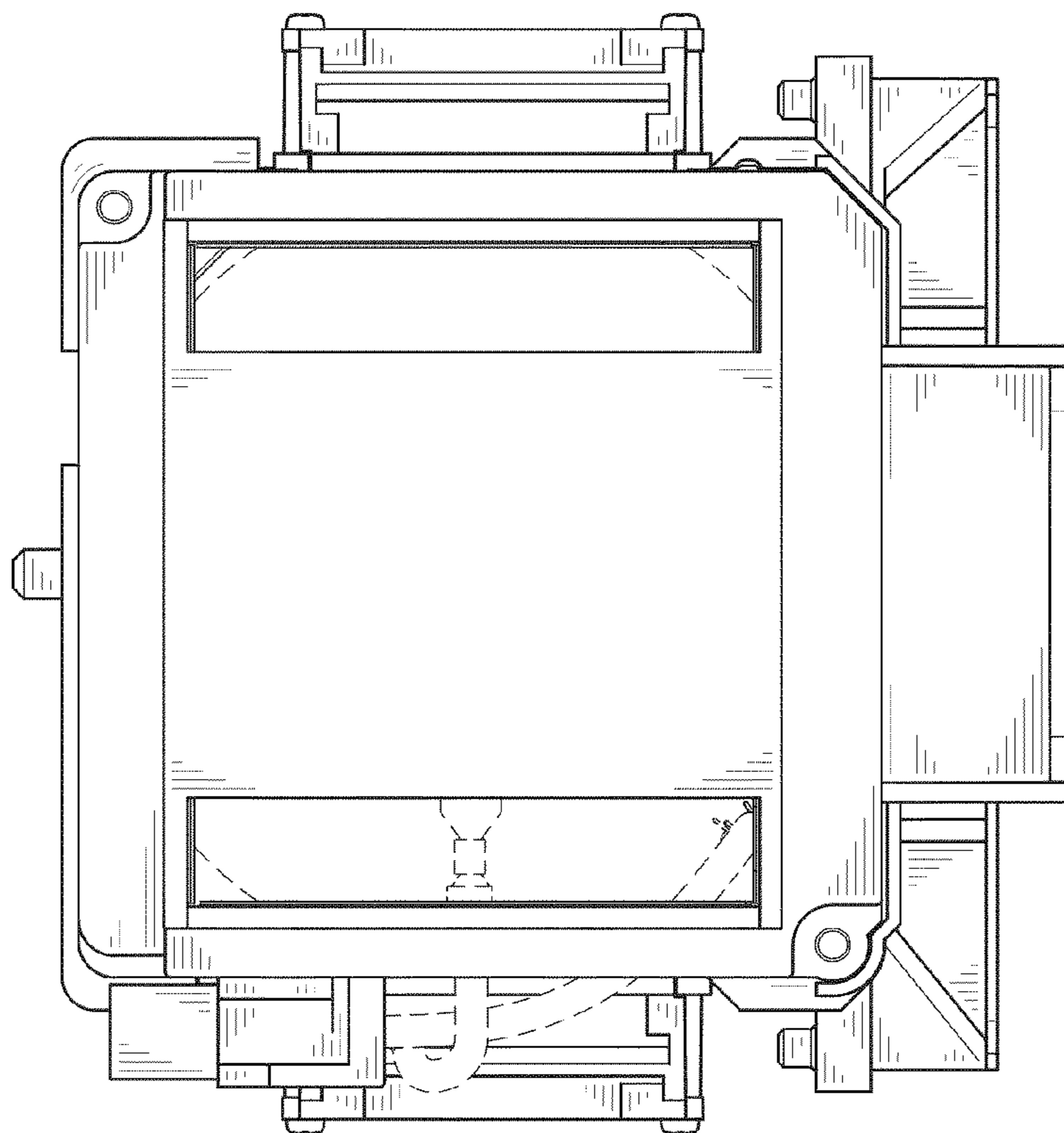


FIG. 6

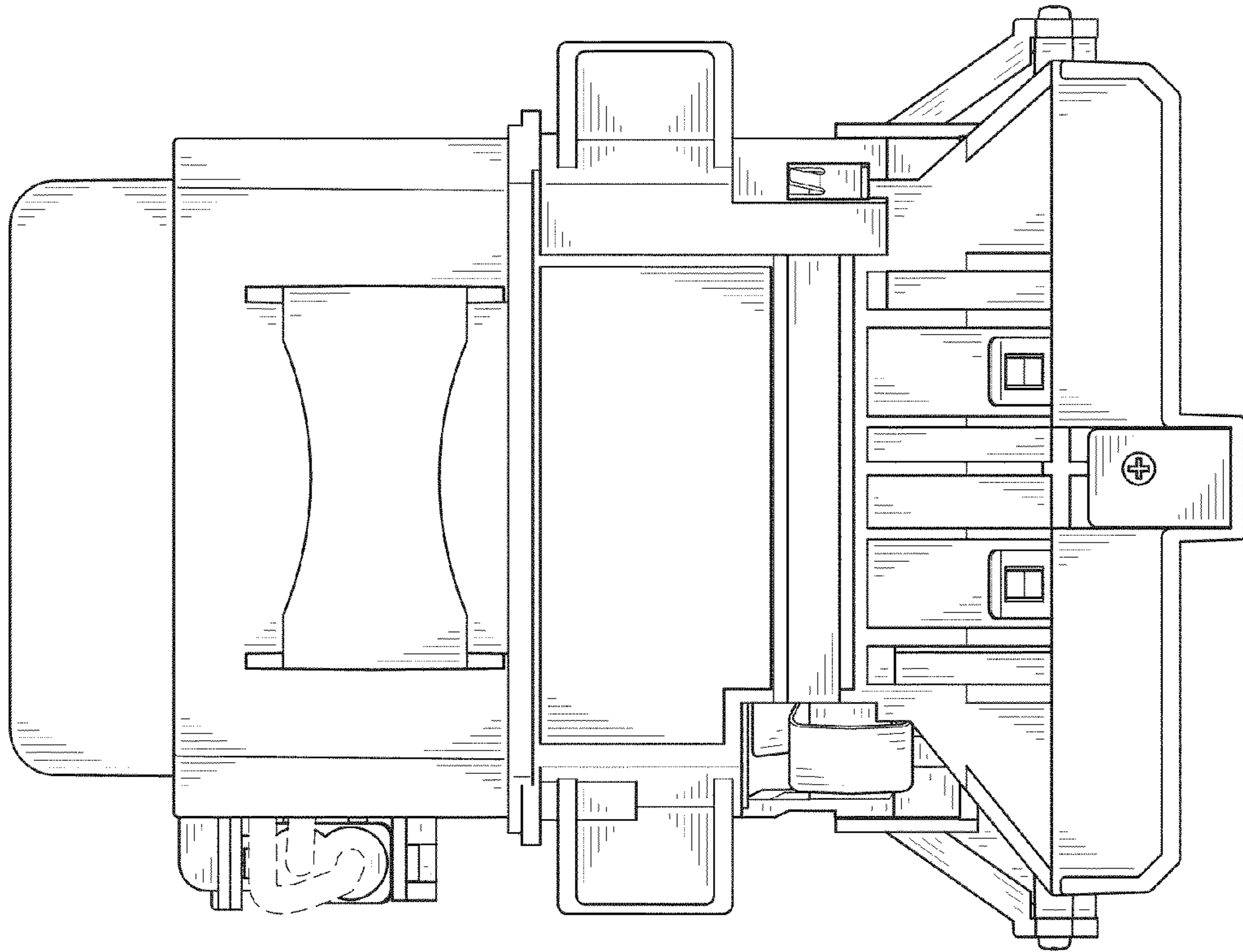


FIG. 7

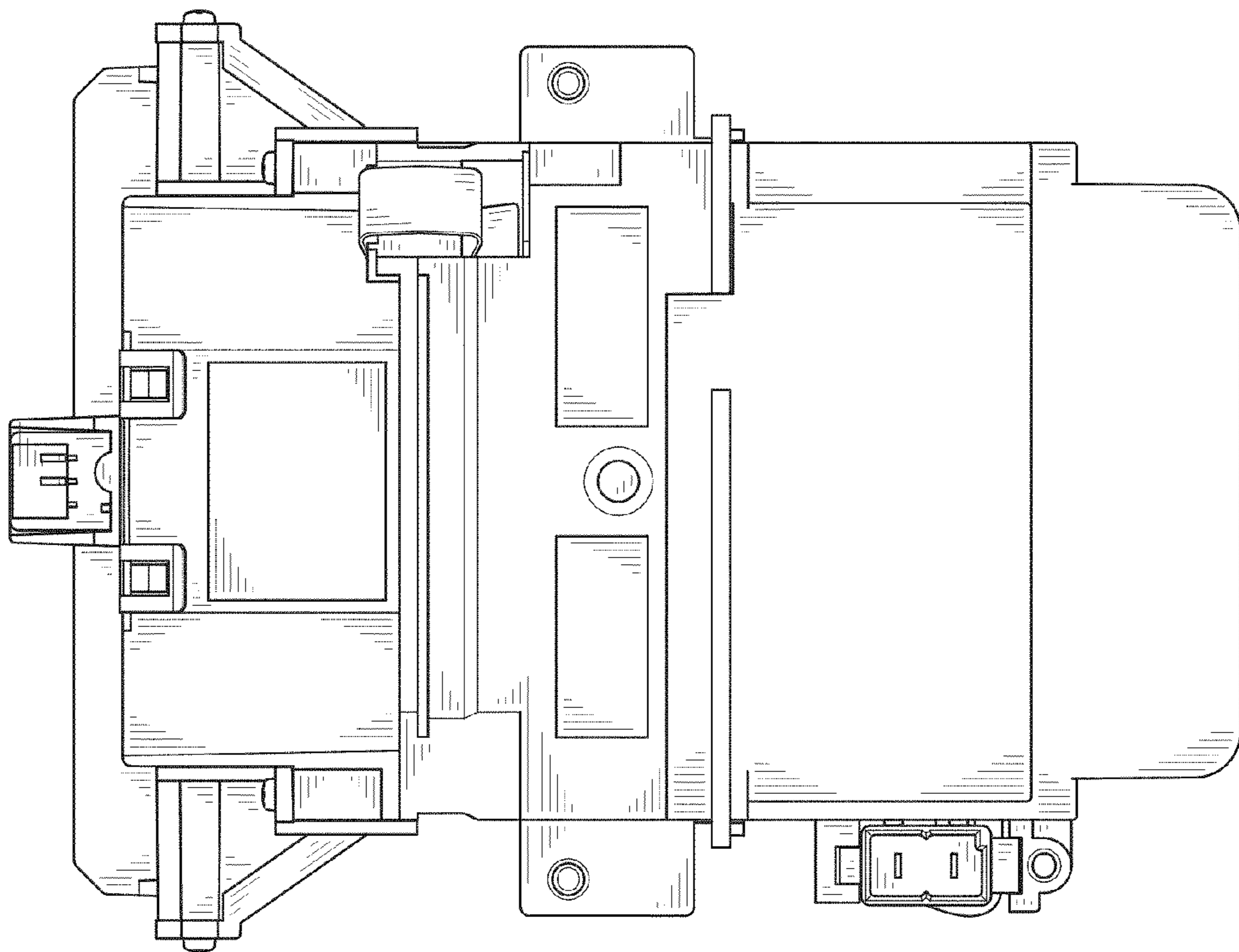


FIG. 8

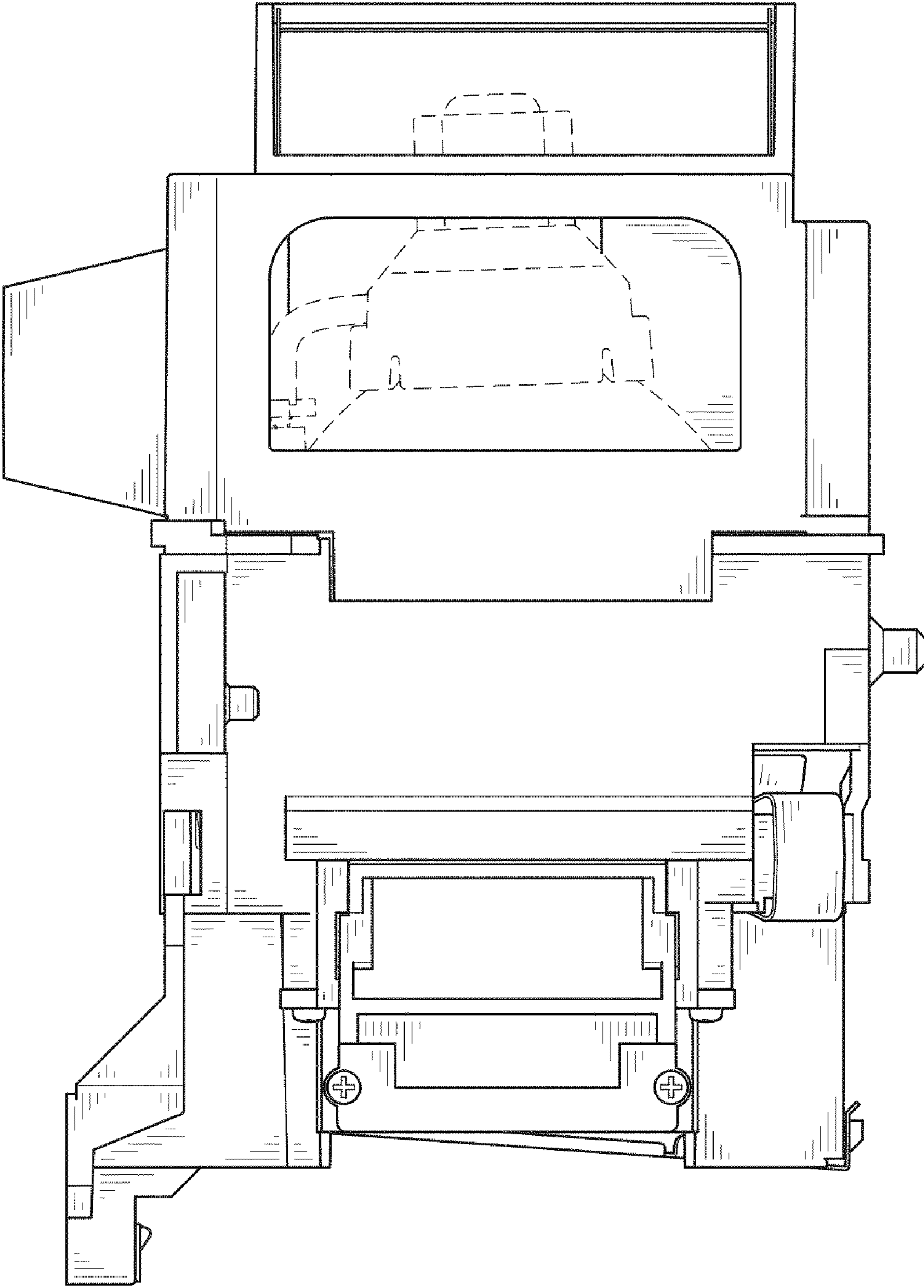


FIG. 9

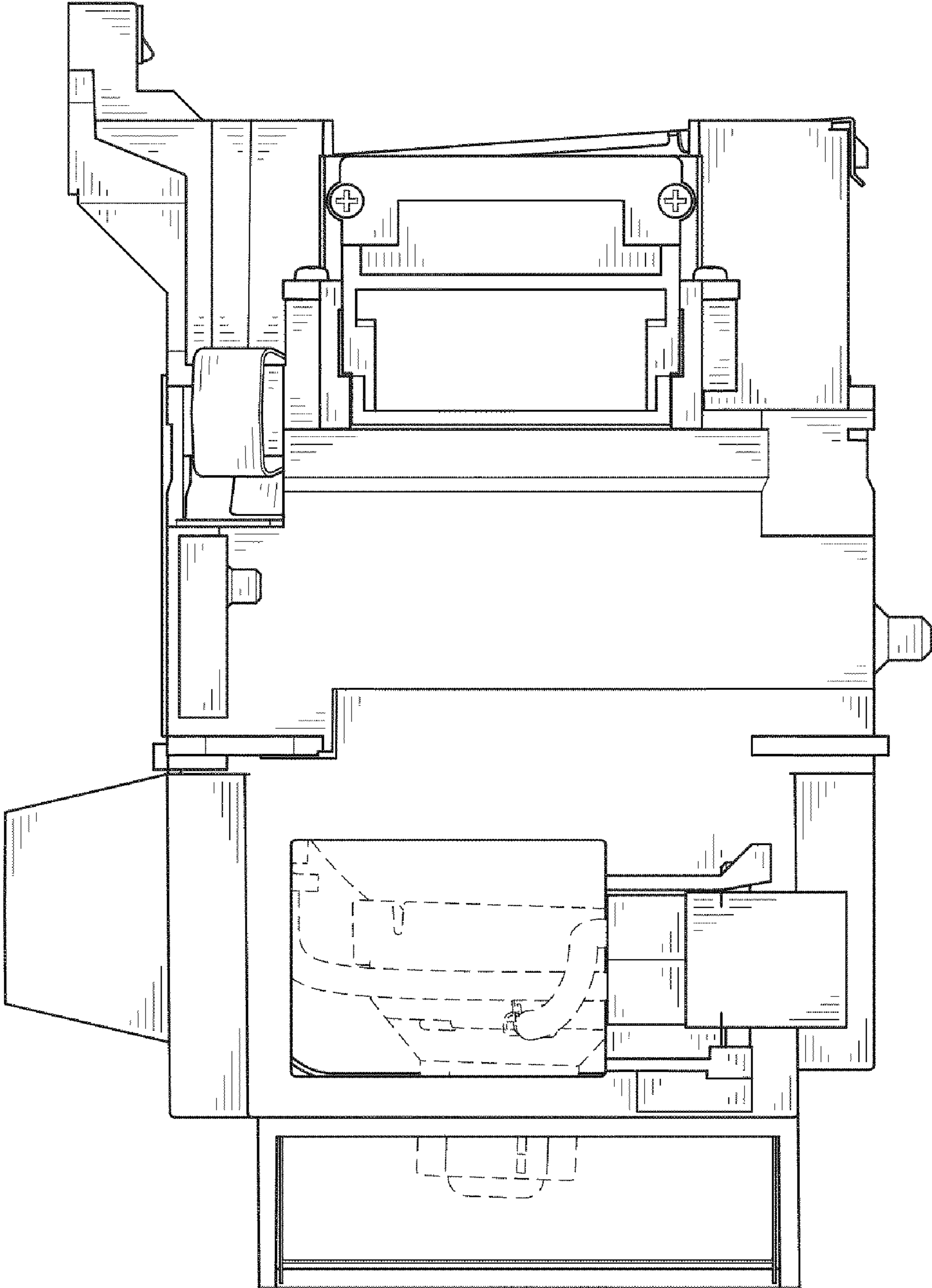


FIG.10