



US00D616480S

(12) **United States Design Patent**
Ookawa et al.

(10) **Patent No.:** **US D616,480 S**

(45) **Date of Patent:** **** May 25, 2010**

(54) **NETWORK CAMERA**

(75) Inventors: **Takayuki Ookawa**, Osaka (JP); **Kenji Shioya**, Osaka (JP); **Toshiya Moriyama**, Osaka (JP)

(73) Assignee: **Panasonic Corporation**, Osaka (JP)

(**) Term: **14 Years**

(21) Appl. No.: **29/329,177**

(22) Filed: **Dec. 10, 2008**

(51) **LOC (9) Cl.** **16-01**

(52) **U.S. Cl.** **D16/218**

(58) **Field of Classification Search** D16/200–205,
D16/208, 218; 348/373–376; 358/906; 396/427,
396/535–541

See application file for complete search history.

(56) **References Cited**

U.S. PATENT DOCUMENTS

D275,294 S	8/1984	Pagano	
4,646,141 A *	2/1987	Timmermans et al. 348/373
D325,212 S	4/1992	Elberbaum	
5,708,472 A *	1/1998	Morisawa et al. 348/373
5,808,663 A *	9/1998	Okaya 348/373
D416,033 S	11/1999	Kitera	
D441,386 S *	5/2001	Yamazaki D16/203
D442,982 S	5/2001	Adachi et al.	
D446,801 S	8/2001	Adachi et al.	
D450,075 S	11/2001	Uehara	
D458,288 S	6/2002	Nakano et al.	
D474,221 S *	5/2003	Cheng D16/218
6,705,774 B2 *	3/2004	Tashiro et al. 396/427
D491,968 S	6/2004	Isshiki	
D515,121 S *	2/2006	Bleau et al. D16/218
D534,196 S	12/2006	Kim et al.	
D551,275 S	9/2007	Kim	
D564,008 S	3/2008	Ikeda et al.	
D566,151 S	4/2008	Won et al.	

D582,955 S * 12/2008 Sekine et al. D16/218

* cited by examiner

Primary Examiner—Adir Aronovich

(74) *Attorney, Agent, or Firm*—Brinks Hofer Gilson & Lione

(57) **CLAIM**

We claim the ornamental design for a network camera, as shown and described.

DESCRIPTION

FIG. 1 is a top, front and right side perspective view of a network camera of the present invention;

FIG. 2 is a front view thereof;

FIG. 3 is a rear view thereof;

FIG. 4 is a left side view thereof;

FIG. 5 is a right side view thereof;

FIG. 6 is a top view thereof;

FIG. 7 is a bottom view thereof;

FIG. 8 is a top, front and right side perspective view of a network camera in a different environment;

FIG. 9 is a front view thereof;

FIG. 10 is a rear view thereof;

FIG. 11 is a left side view thereof;

FIG. 12 is a left side view thereof;

FIG. 13 is a top view thereof; and,

FIG. 14 is a bottom view thereof.

The broken line showing of network camera is included for the purpose of illustrating environment and forms no part of the claimed design. In the first embodiment, the front surface including the bulge is made transparent or translucent. In the second embodiment, the bulge in the front surface is made transparent or translucent.

1 Claim, 14 Drawing Sheets

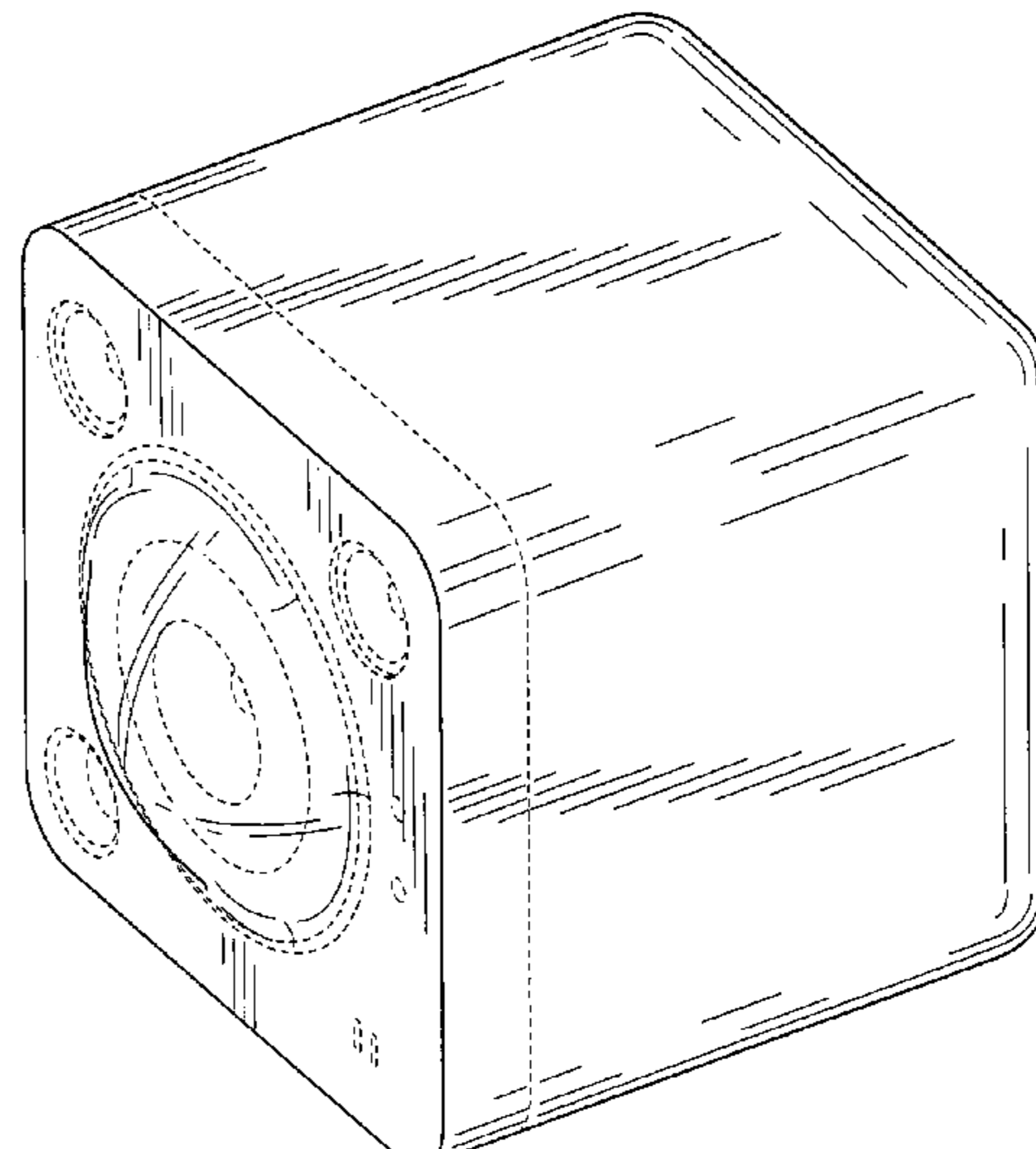
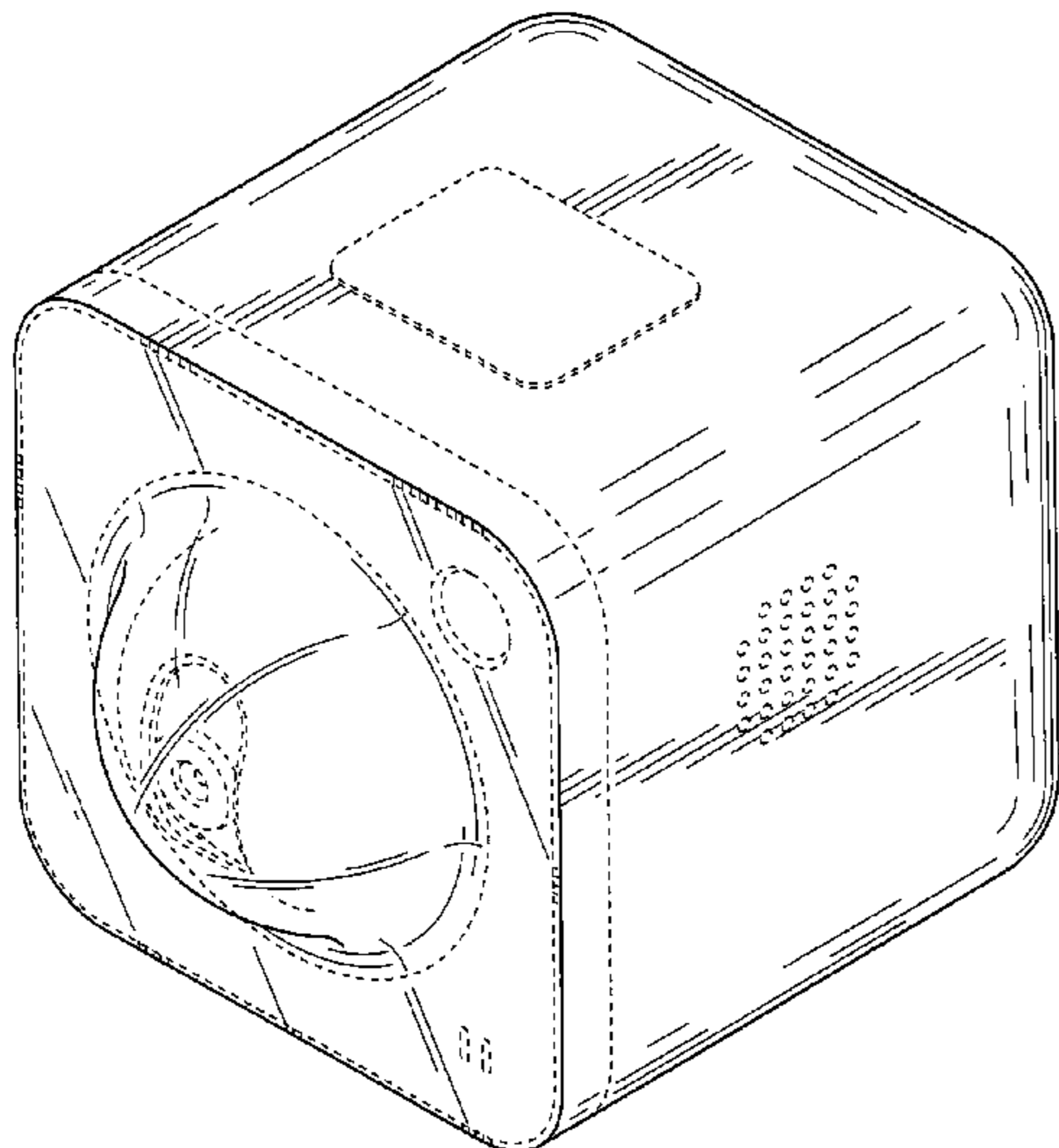


FIG.1

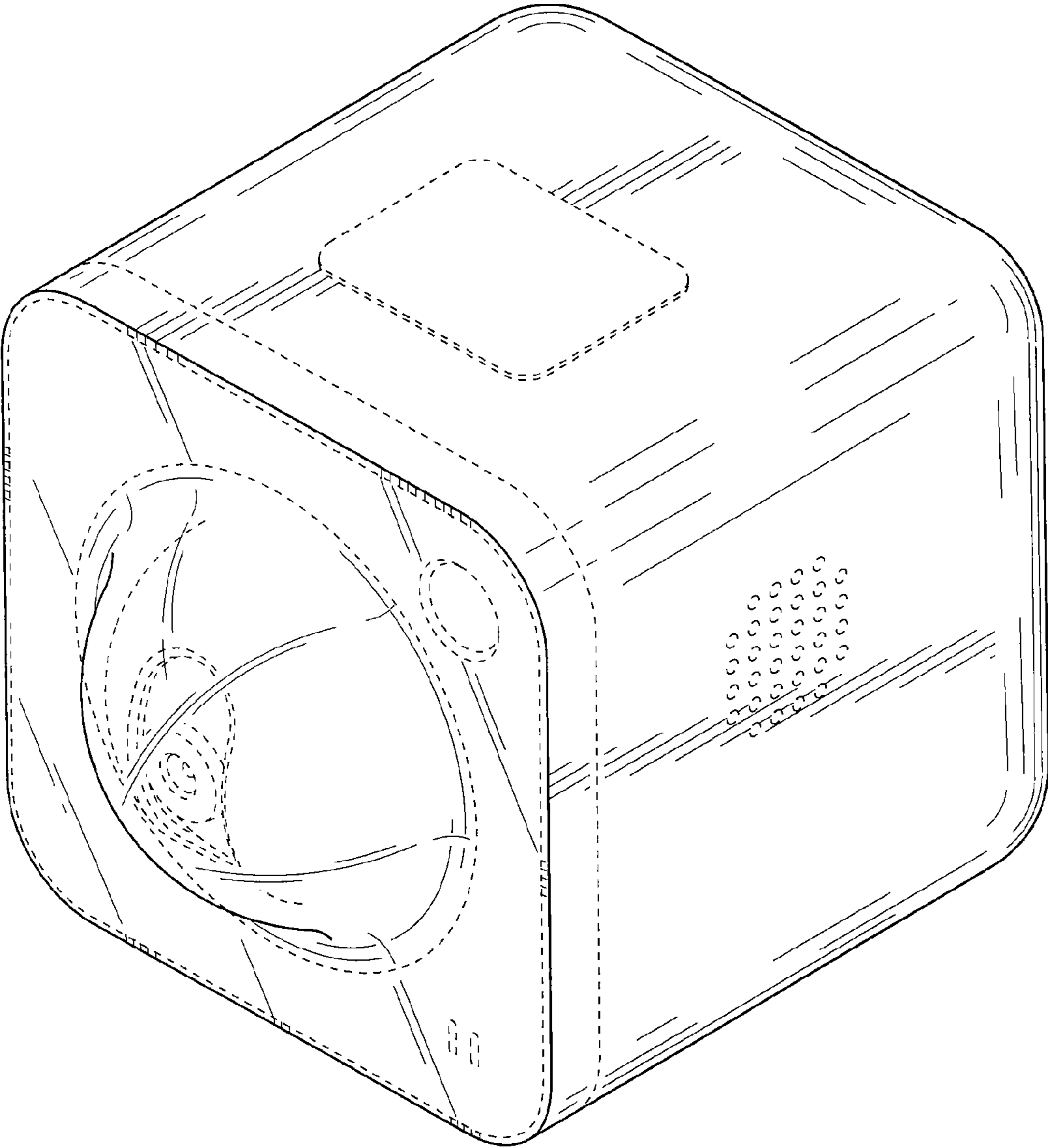


FIG.2

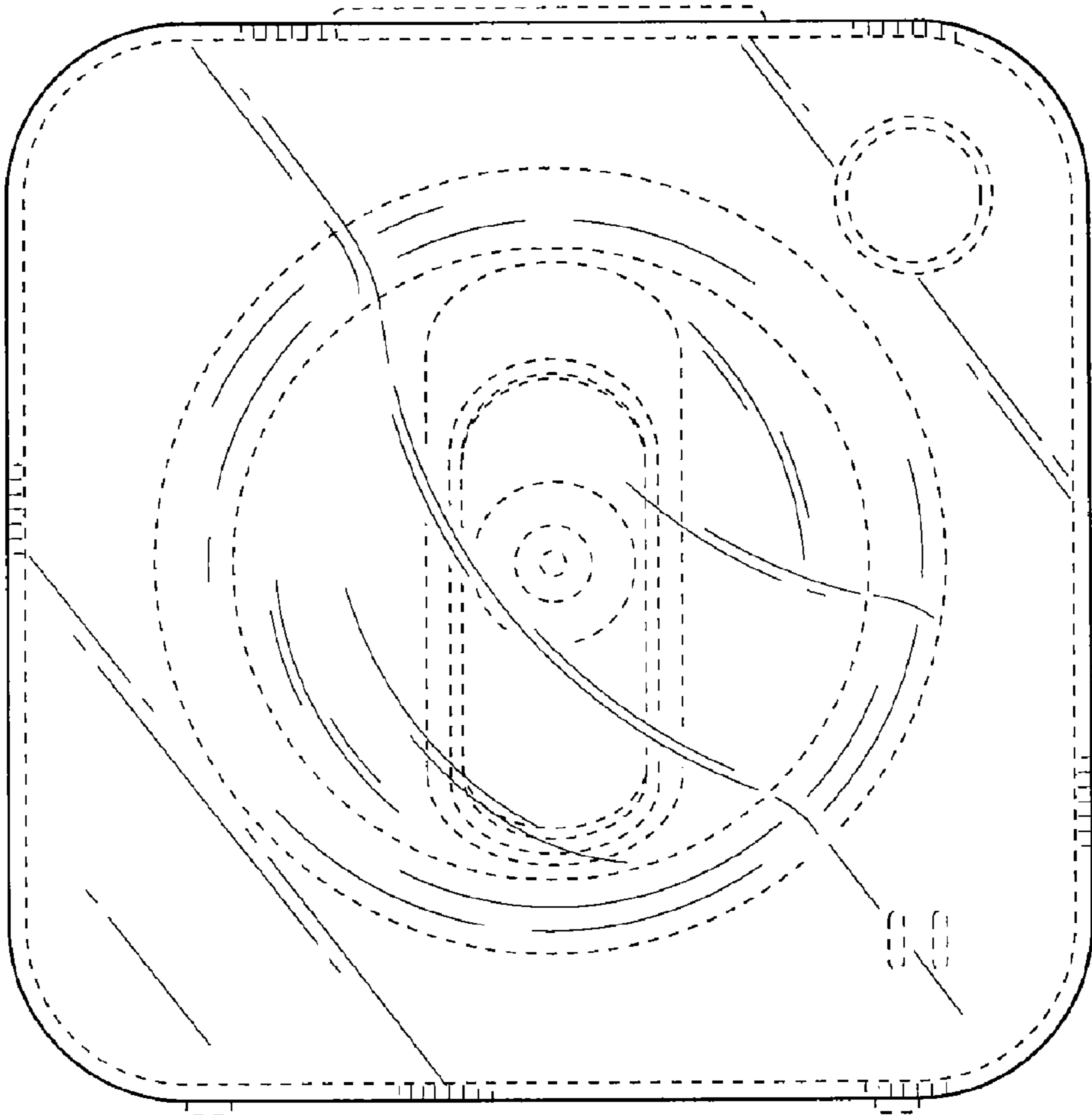


FIG.3

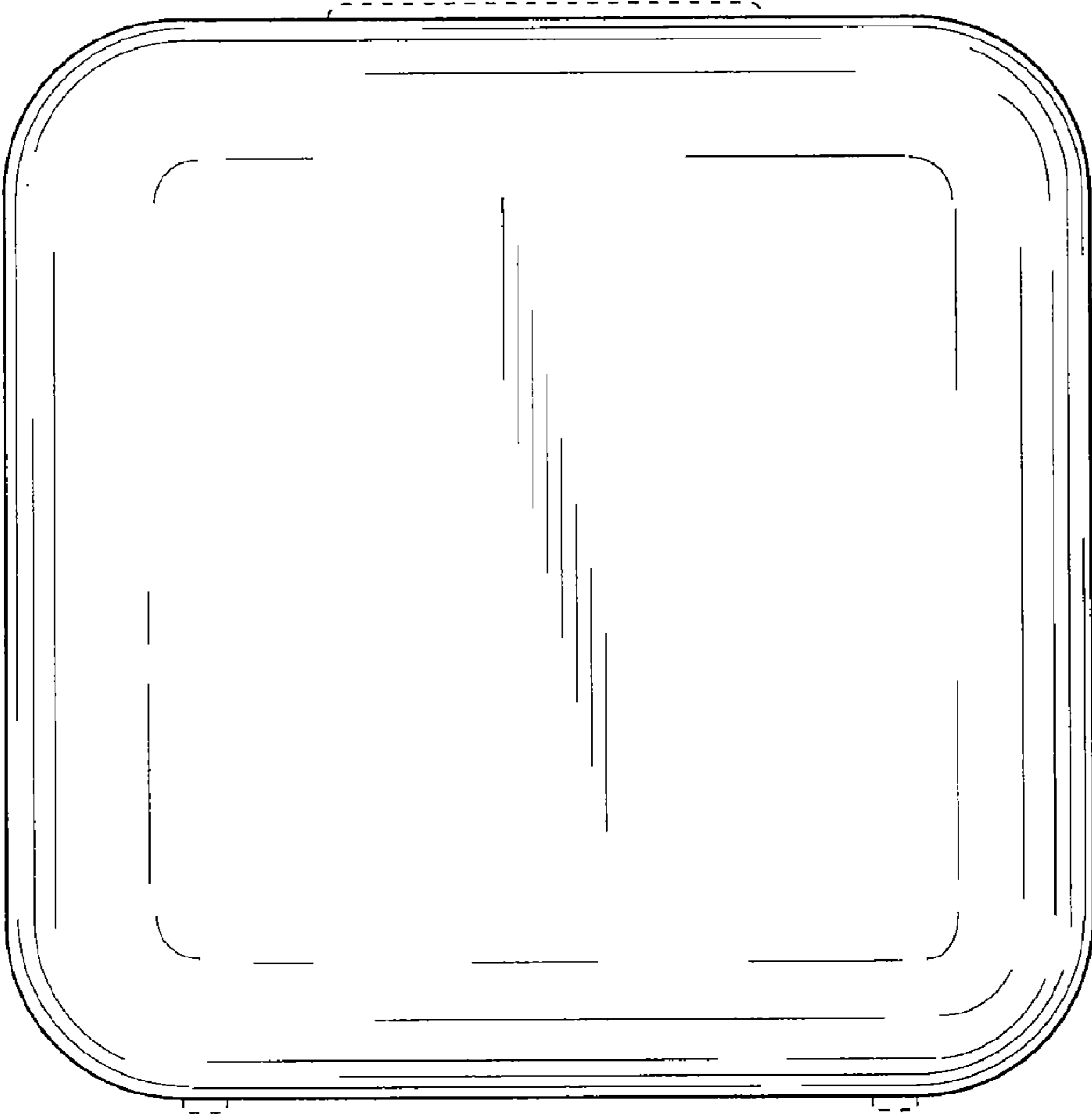


FIG.4

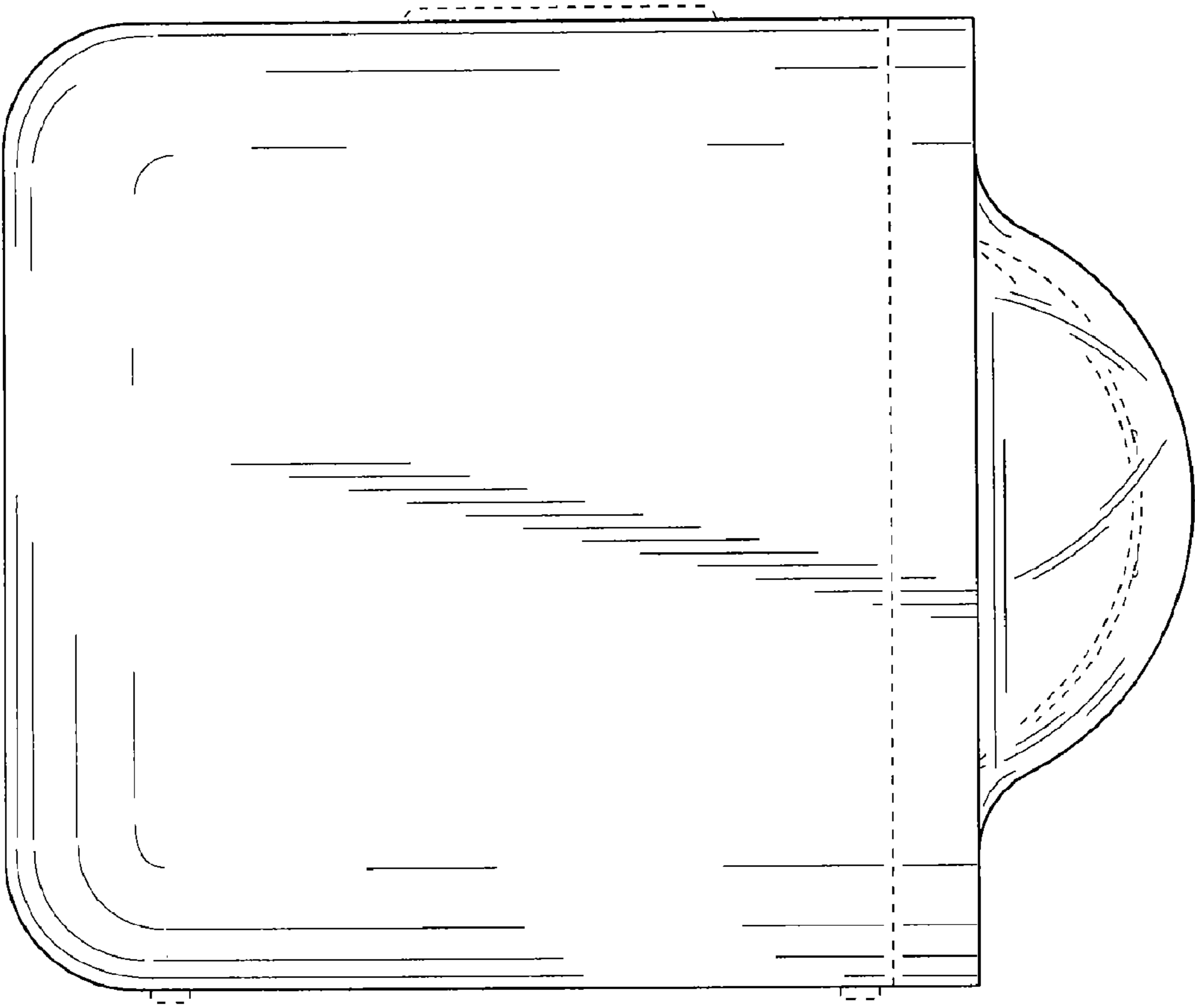


FIG.5

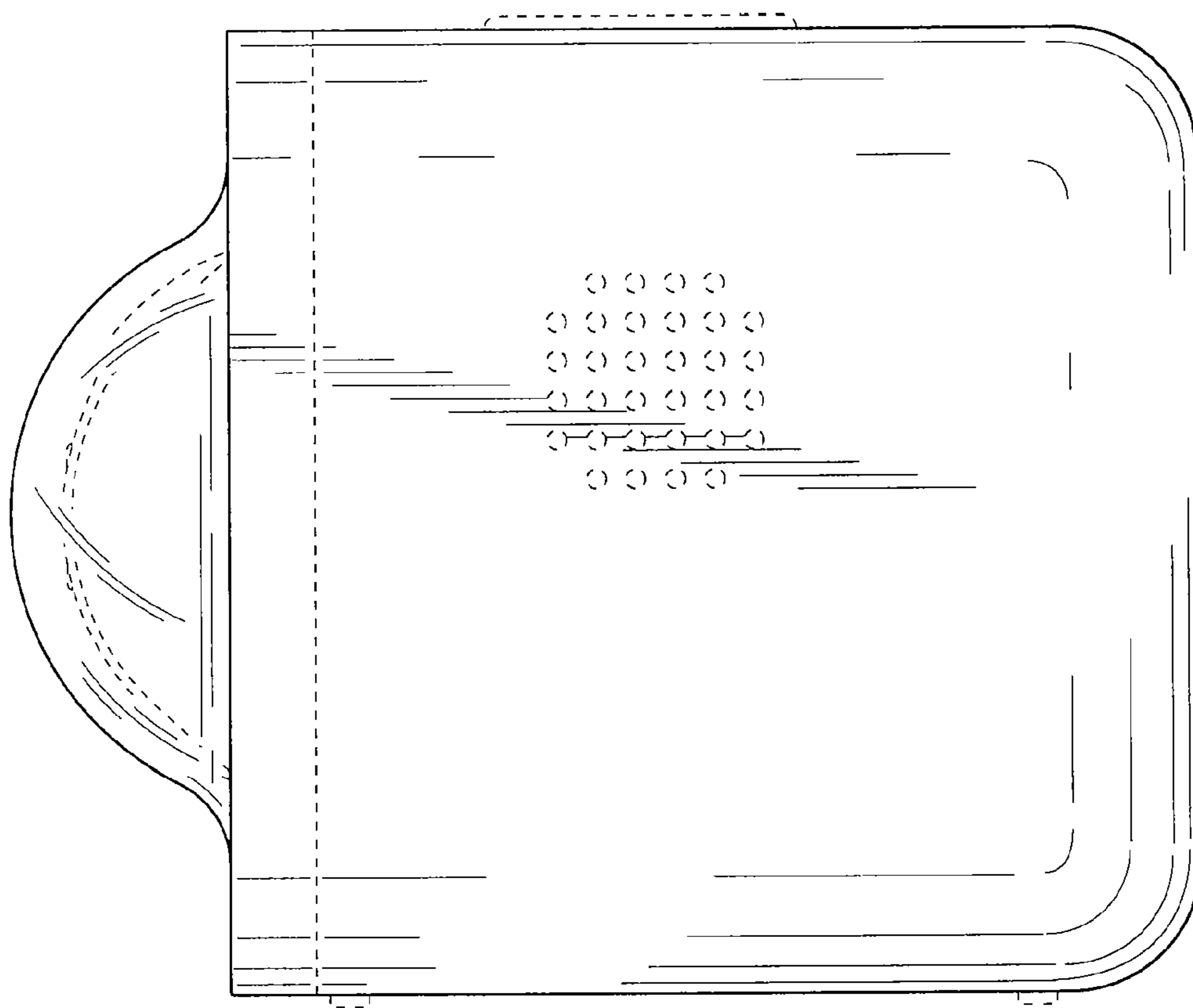


FIG.6

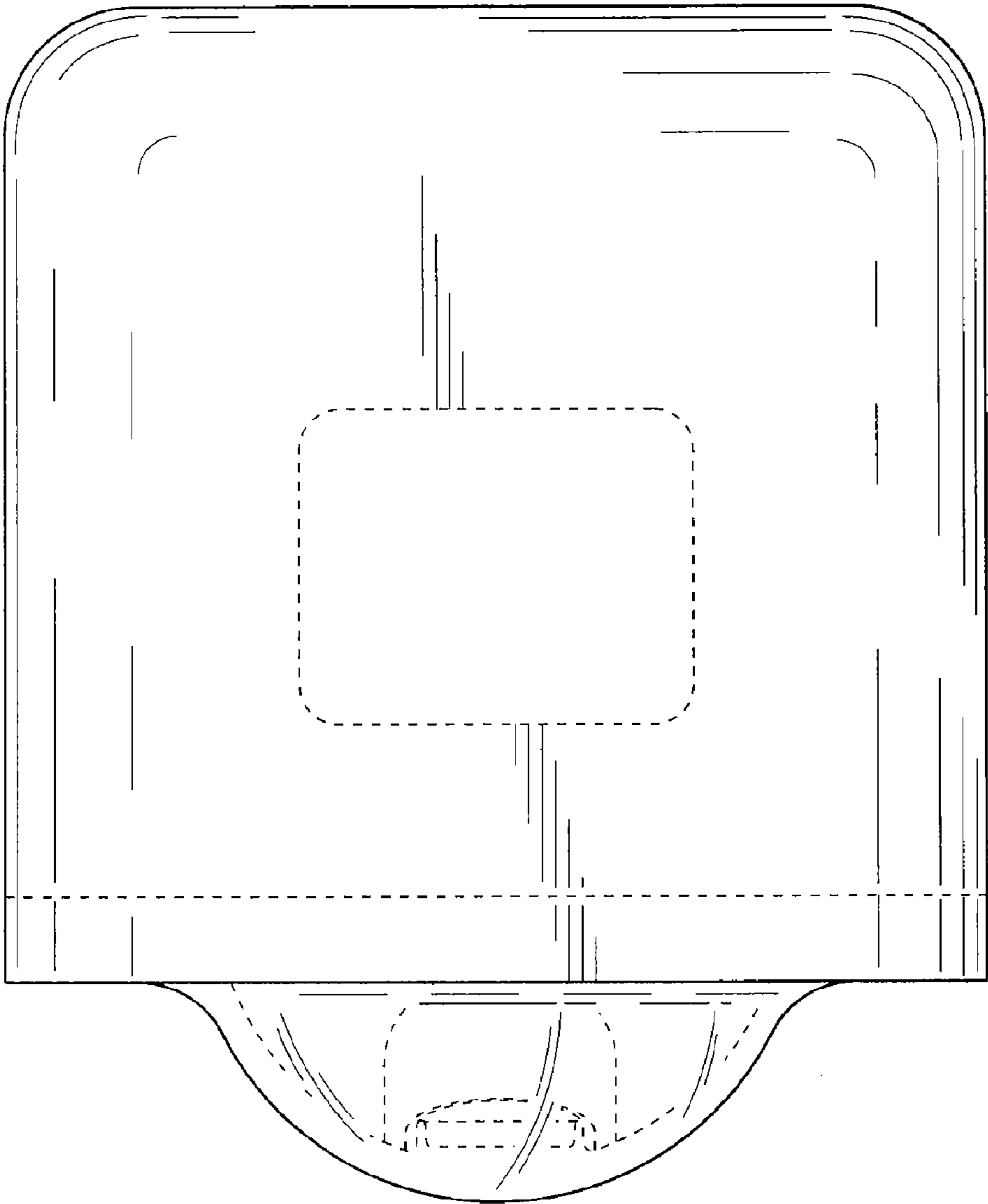


FIG.7

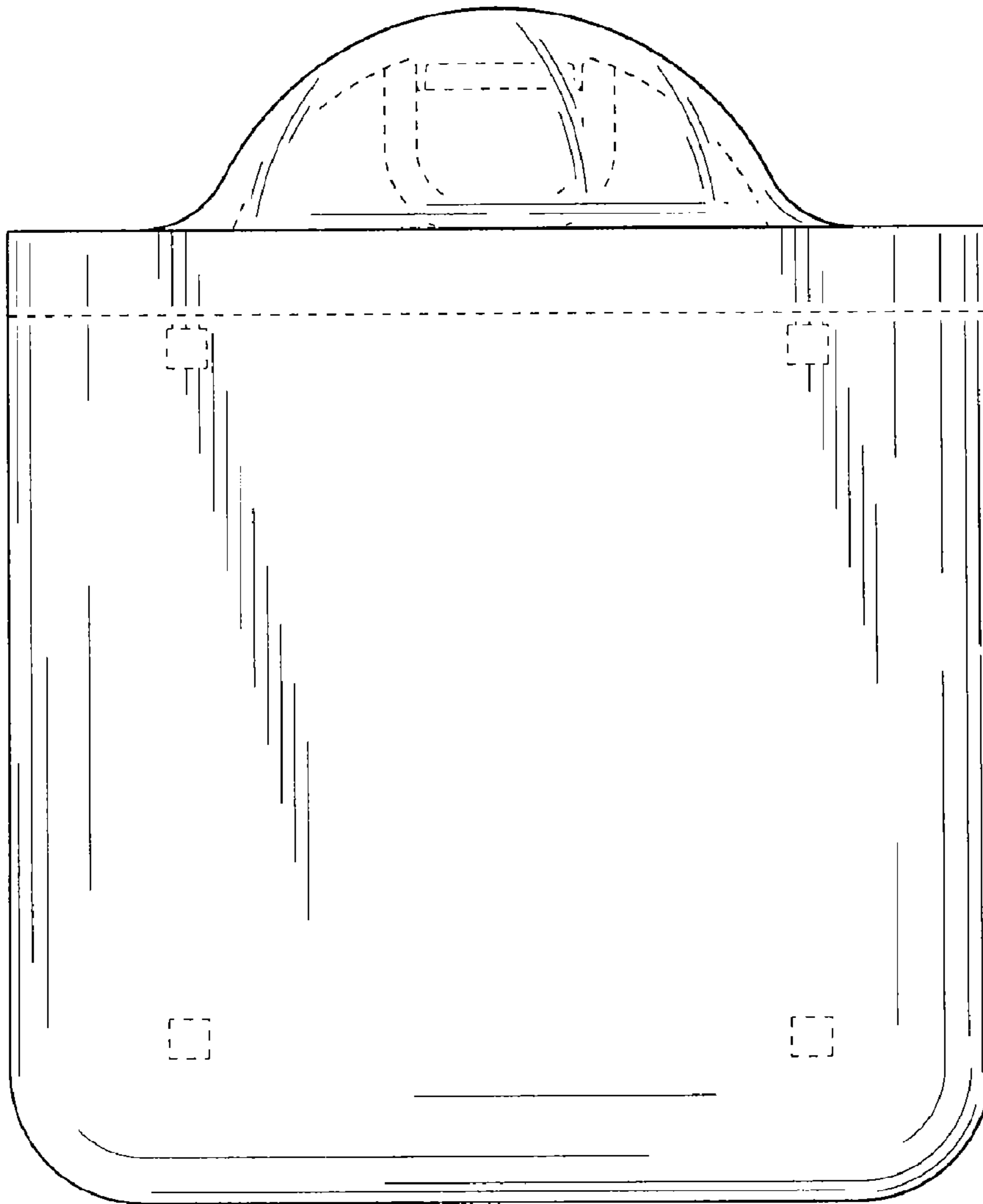


FIG.8

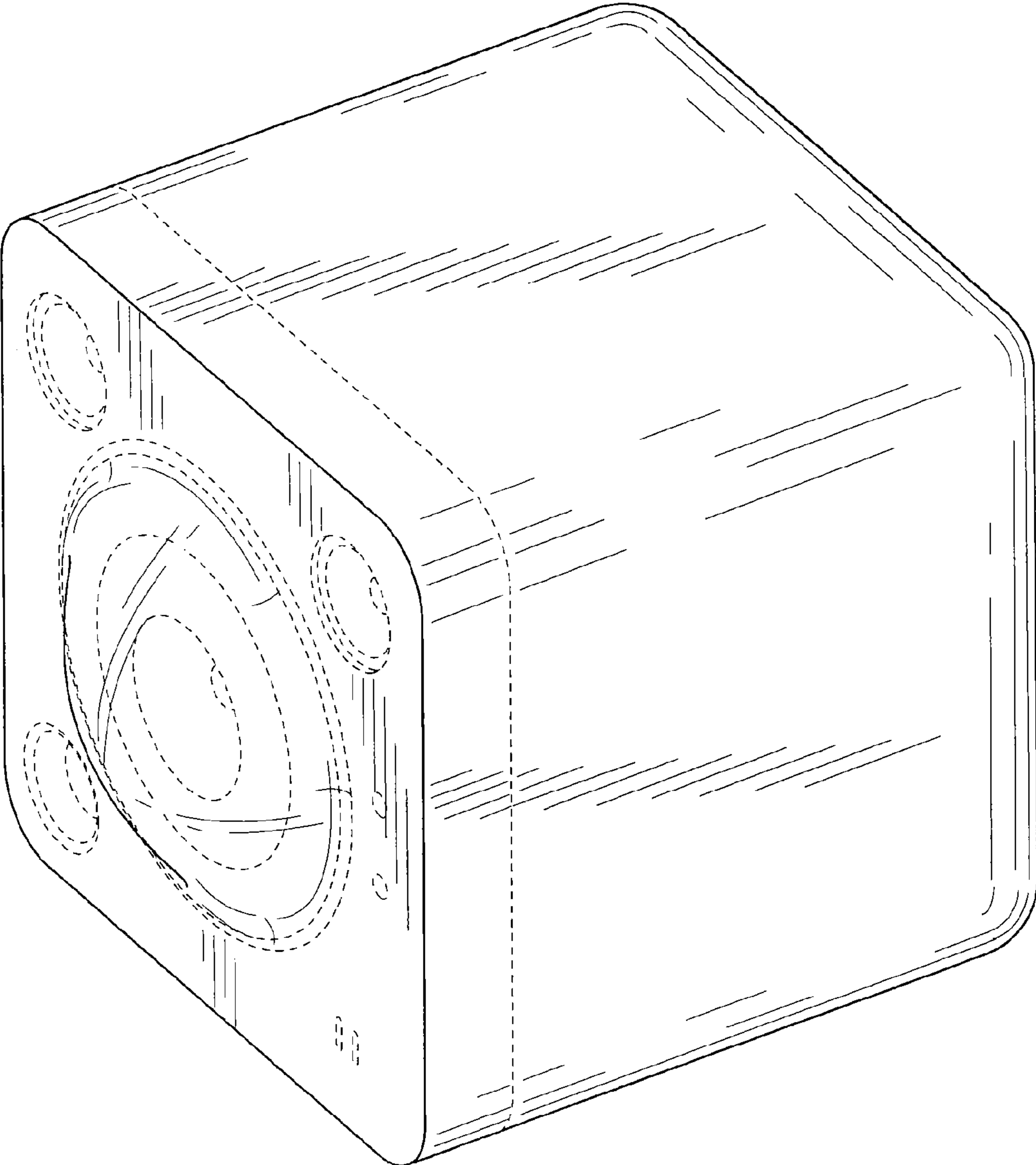


FIG.9

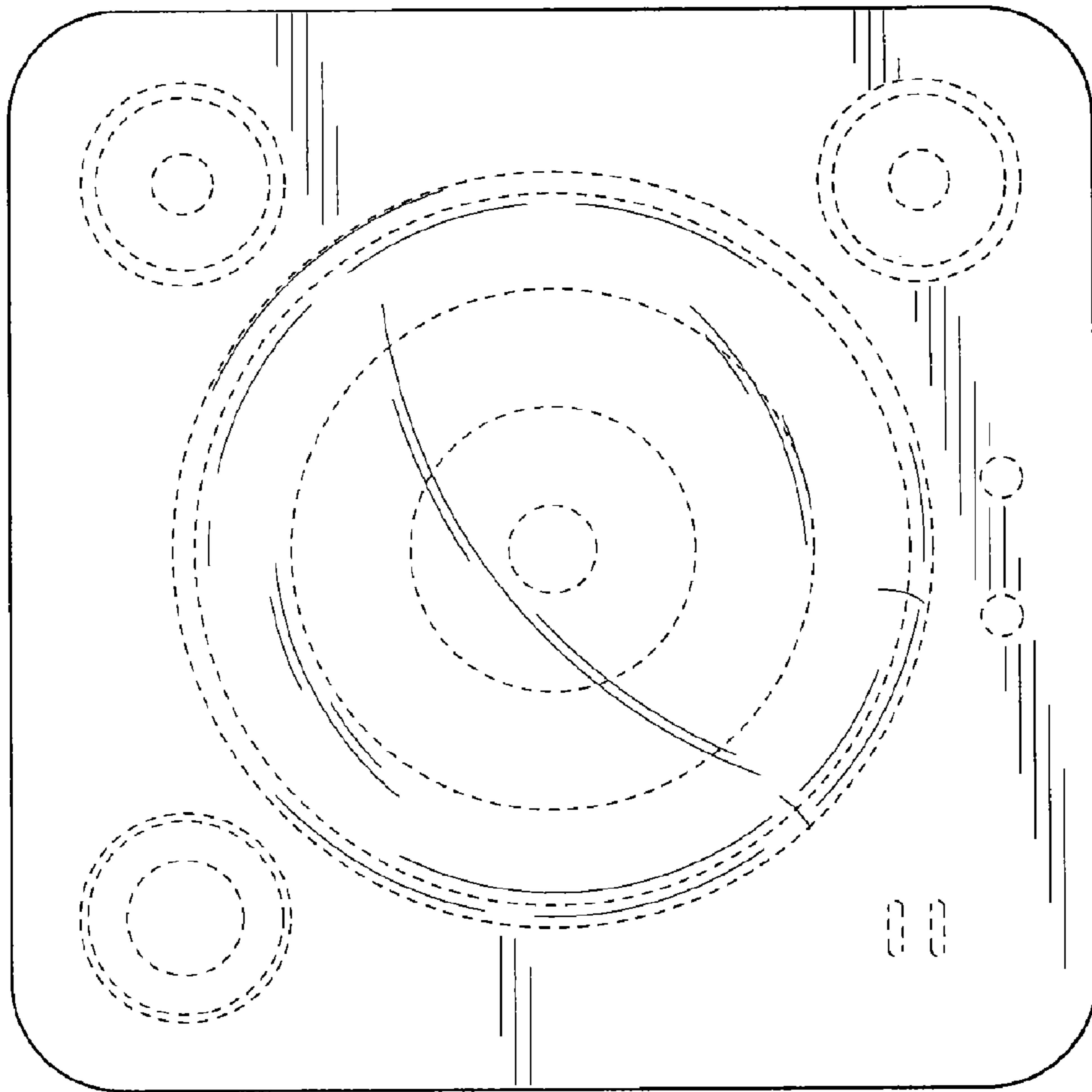


FIG.10

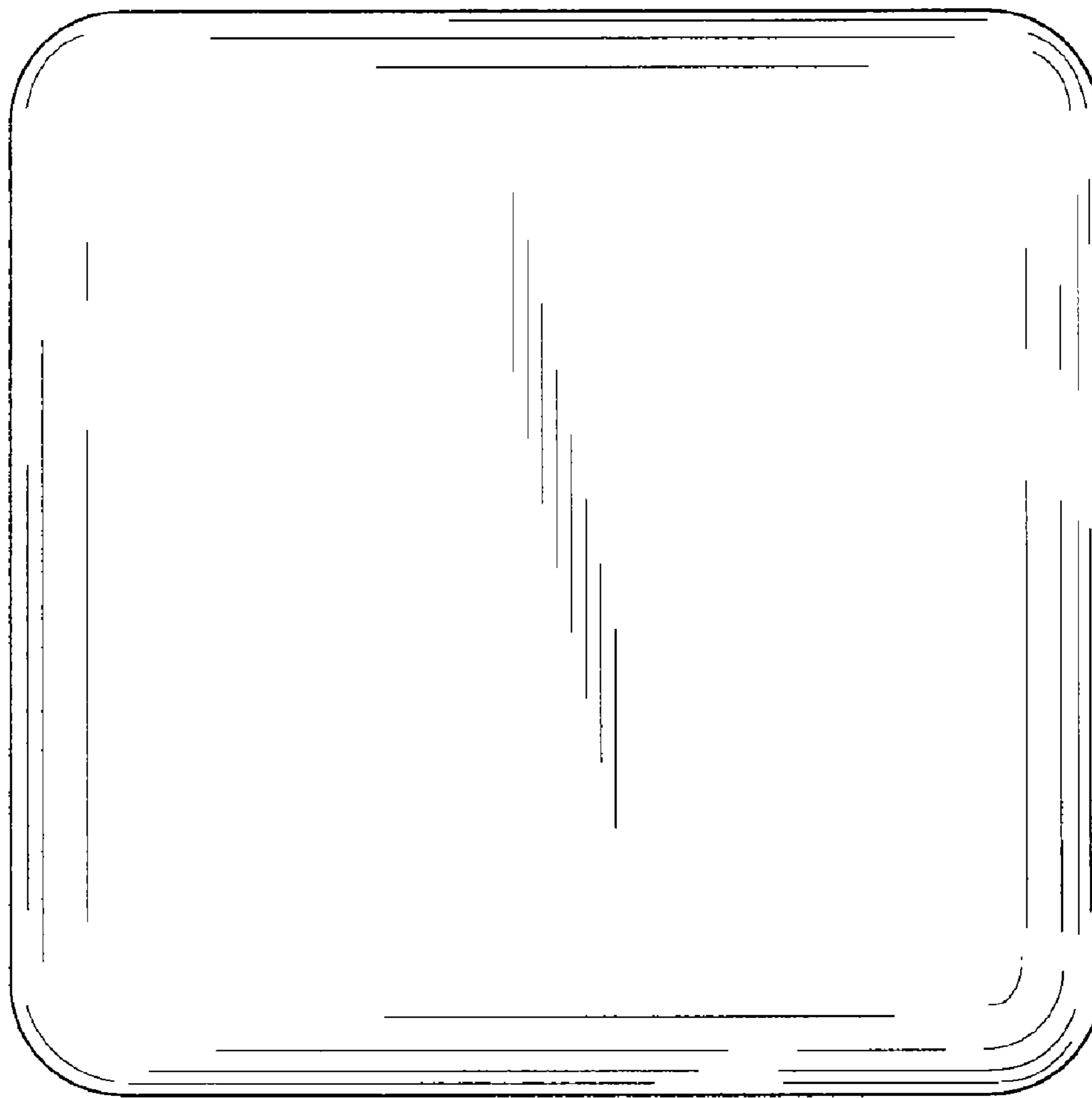


FIG.11

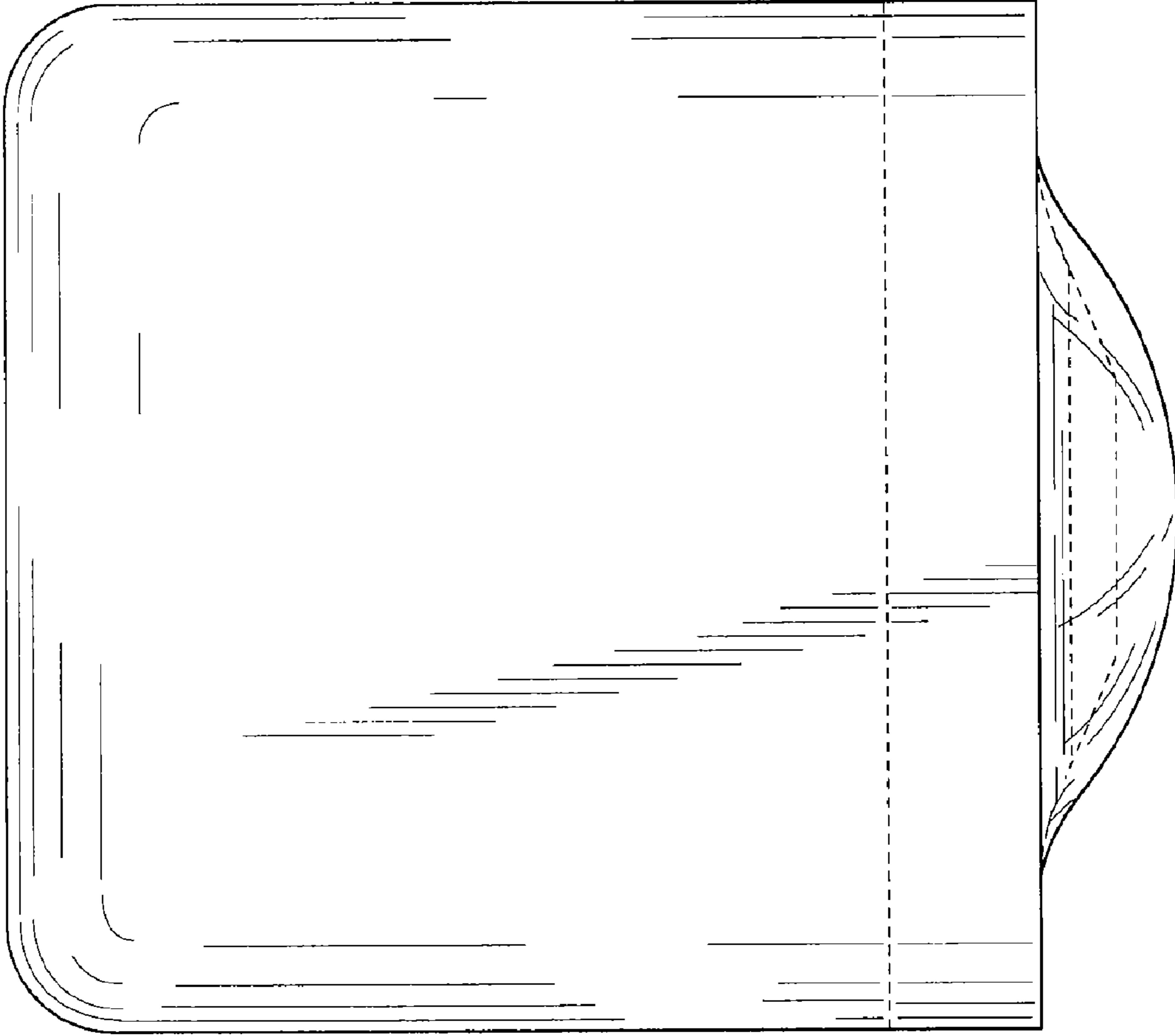


FIG.12

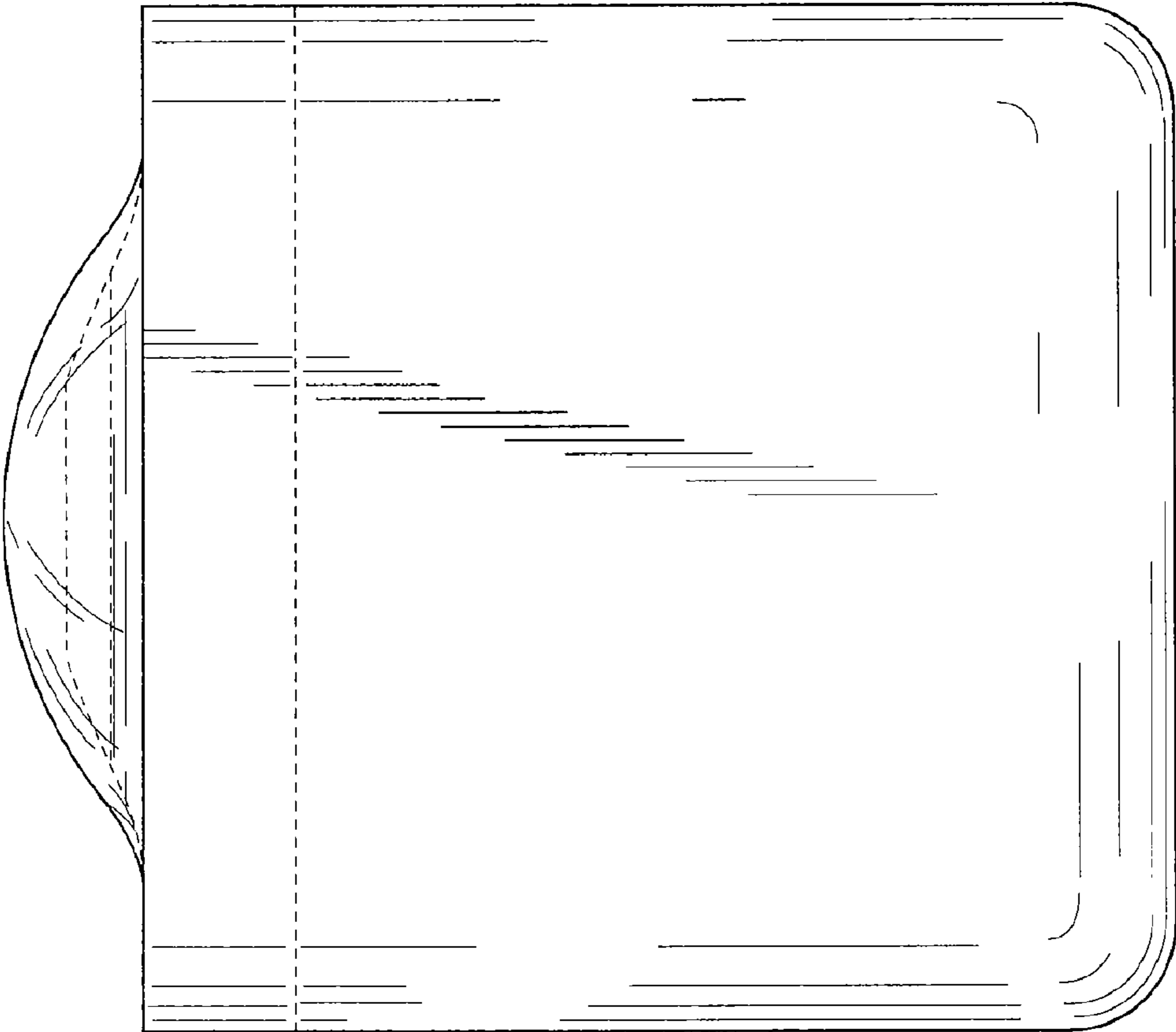


FIG.13

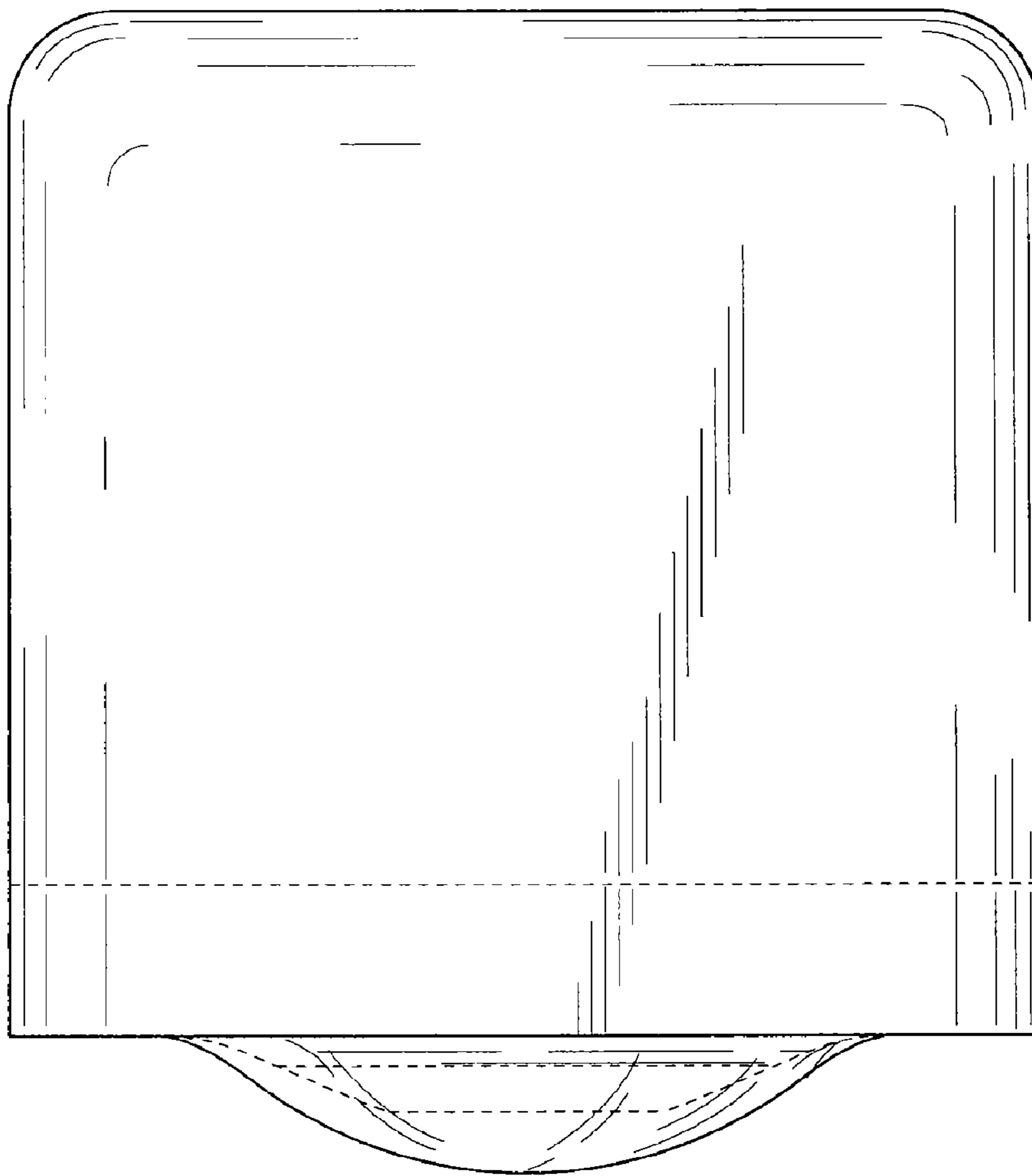


FIG.14

