



US00D616475S

(12) **United States Design Patent**
Slomp et al.

(10) **Patent No.:** **US D616,475 S**
(45) **Date of Patent:** **** May 25, 2010**

(54) **COVER OF A PACKAGING MACHINE**

(75) Inventors: **Tieme Jan Slomp**, Bad Groenenbach (DE); **Elmar Ehrmann**, Bad Groenenbach (DE); **Xaver Pointner**, Buchenberg (DE)

(73) Assignee: **Multivac Sepp Haggemueller GmbH & Co. KG**, Wolfertschwenden (DE)

(**) Term: **14 Years**

(21) Appl. No.: **29/314,409**

(22) Filed: **Mar. 27, 2009**

(51) **LOC (9) Cl.** **15-99**

(52) **U.S. Cl.** **D15/145**

(58) **Field of Classification Search** D12/172, D12/196, 404; D15/28, 145, 146; D25/119, D25/123, 125, 138; 53/167, 202, 279, 284.5, 53/370.7, 370.9, 381.1, 426, 563, 565; 493/184
See application file for complete search history.

(56) **References Cited**

U.S. PATENT DOCUMENTS

3,730,605	A *	5/1973	Eckard	312/265.5
D231,217	S *	4/1974	Rohrer	D12/196
D245,975	S *	10/1977	Tixier	D12/196
D249,497	S *	9/1978	Slider	D12/404
D274,254	S *	6/1984	Jenkins	D15/146
D281,169	S *	10/1985	Hillier	D15/146
D301,890	S *	6/1989	Silbersky	D15/145
D312,804	S *	12/1990	Okano	D12/196
D321,533	S *	11/1991	Gough	D15/146
5,263,252	A *	11/1993	Bruggink	29/897.32
D349,505	S *	8/1994	Hill et al.	D15/145
5,365,650	A *	11/1994	Smith et al.	29/417
D368,727	S *	4/1996	Stevens	D15/145
D372,487	S *	8/1996	Brewer et al.	D15/145
D407,501	S *	3/1999	Shipman et al.	D25/58
D433,981	S *	11/2000	Davis et al.	D12/196
D435,813	S *	1/2001	Johnson	D12/167
6,370,832	B1 *	4/2002	McGarry et al.	52/520
D463,581	S *	9/2002	Mann	D25/164

D468,675	S *	1/2003	Murkett	D12/196
D491,859	S *	6/2004	Velazco	D12/196
D496,620	S *	9/2004	Perfetti et al.	D12/196
D511,128	S *	11/2005	Nagashima	D12/196
D511,216	S *	11/2005	Folliard	D25/119
D517,578	S *	3/2006	Vander Tuin et al.	D15/145
D527,697	S *	9/2006	Metros et al.	D12/196
D538,948	S *	3/2007	Thimons et al.	D25/119

(Continued)

Primary Examiner—Sandra Snapp
Assistant Examiner—Patricia Palasik
(74) *Attorney, Agent, or Firm*—Brooks Kushman P.C.

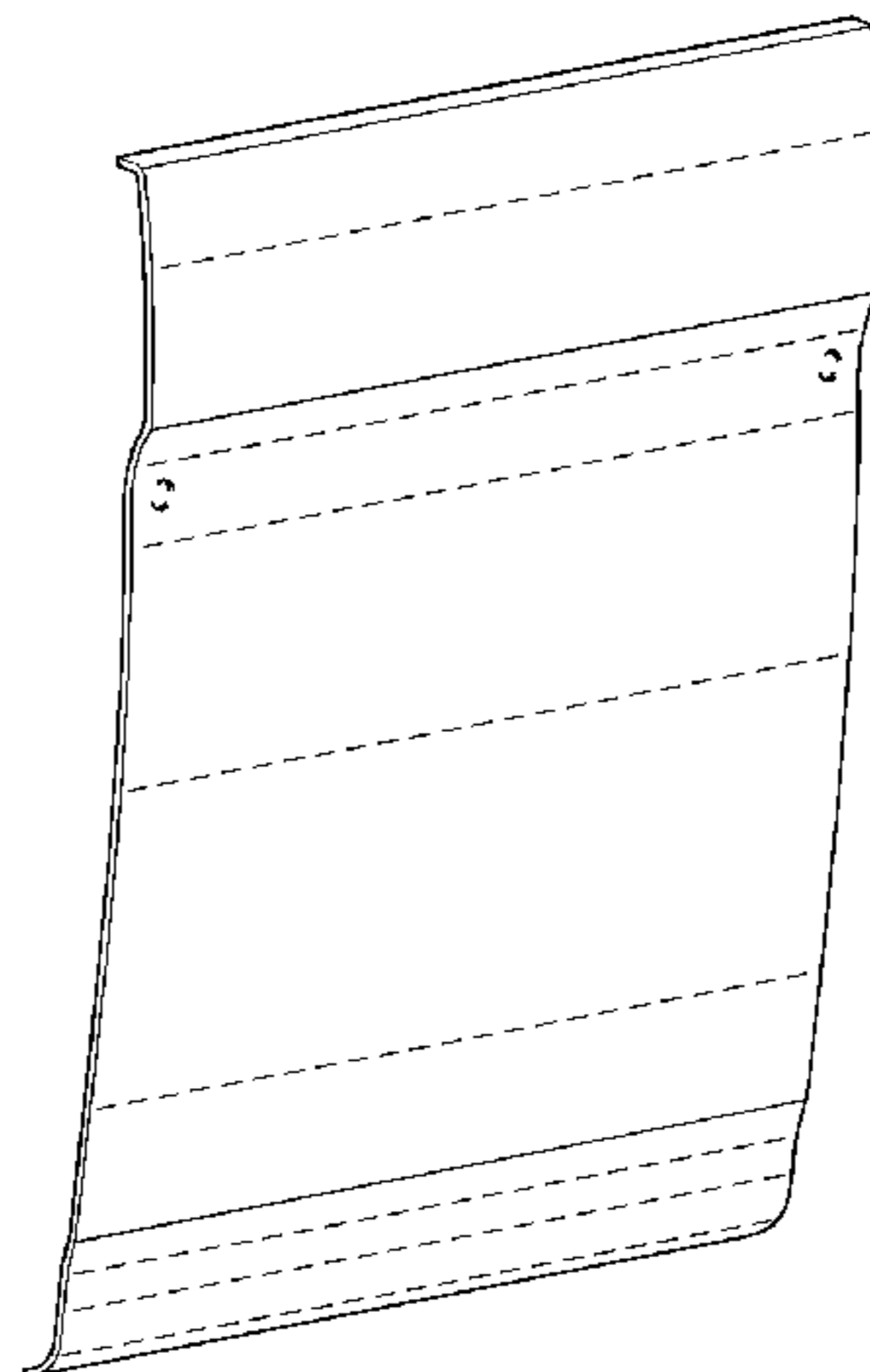
(57) **CLAIM**

The ornamental design for a cover of a packaging machine, as shown and described.

DESCRIPTION

FIG. 1 is a perspective view of the cover of a packaging machine;
FIG. 2 is a front elevation view of the cover of a packaging machine;
FIG. 3 is a side view the cover of a packaging machine;
FIG. 4 is a reverse perspective view illustrating the cover of a packaging machine from an opposite direction from that shown in FIG. 1; and,
FIG. 5 is a front perspective view of the cover of a packaging machine on a packaging machine; the machine is not part of the ornamental design being claimed and is illustrated merely to disclose an embodiment of an environment in which the design can be associated, as represented by broken lines.
The broken lines are for illustrative purposes only and form no part of the claimed design.

1 Claim, 2 Drawing Sheets



US D616,475 S

Page 2

U.S. PATENT DOCUMENTS

D546,852 S *	7/2007	Shimajima	D15/145	D576,532 S *	9/2008	Hildebrand et al.	D12/196
D549,144 S *	8/2007	Elliott et al.	D12/196	D579,843 S *	11/2008	Beigel et al.	D12/196
D558,113 S *	12/2007	Leclercq	D12/196	D583,288 S *	12/2008	Leclercq	D12/196
				D597,011 S *	7/2009	Habib	D12/196

* cited by examiner

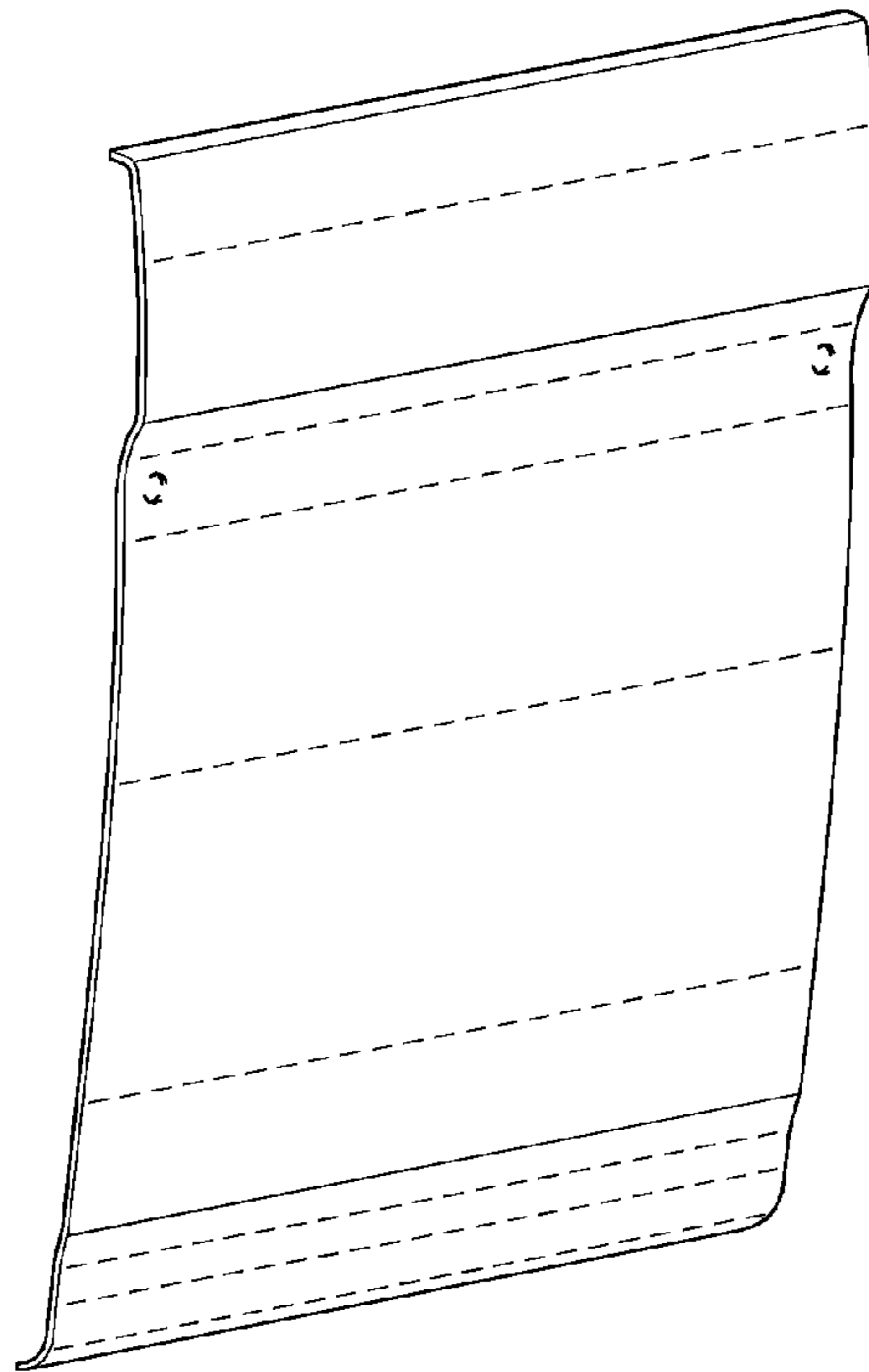


FIG. 1

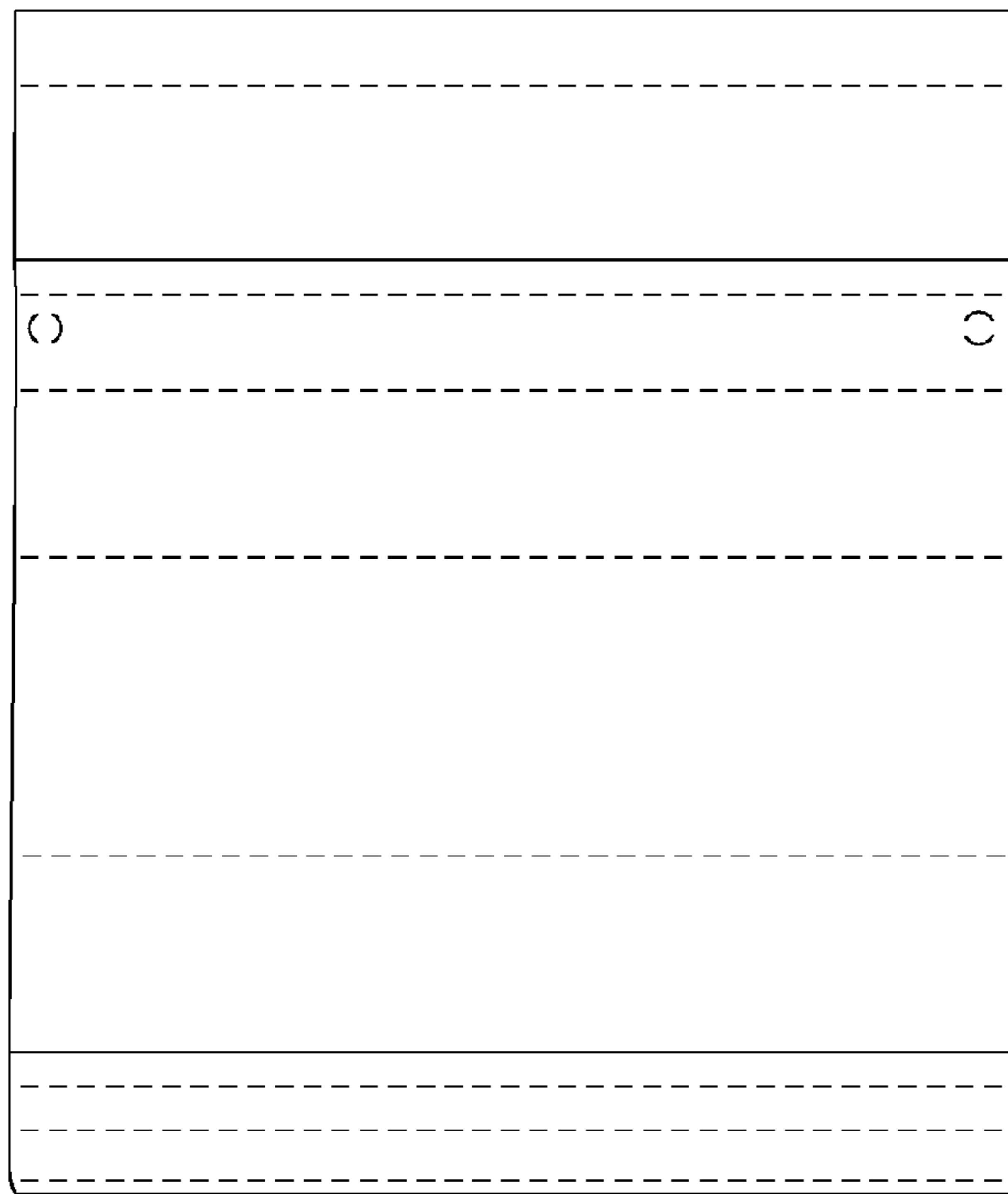


FIG. 2

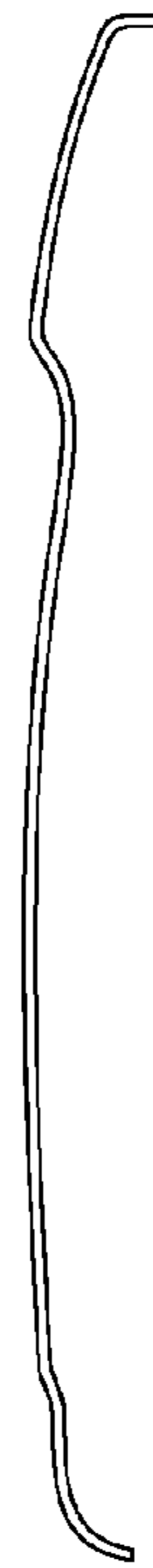


FIG. 3

FIG. 4

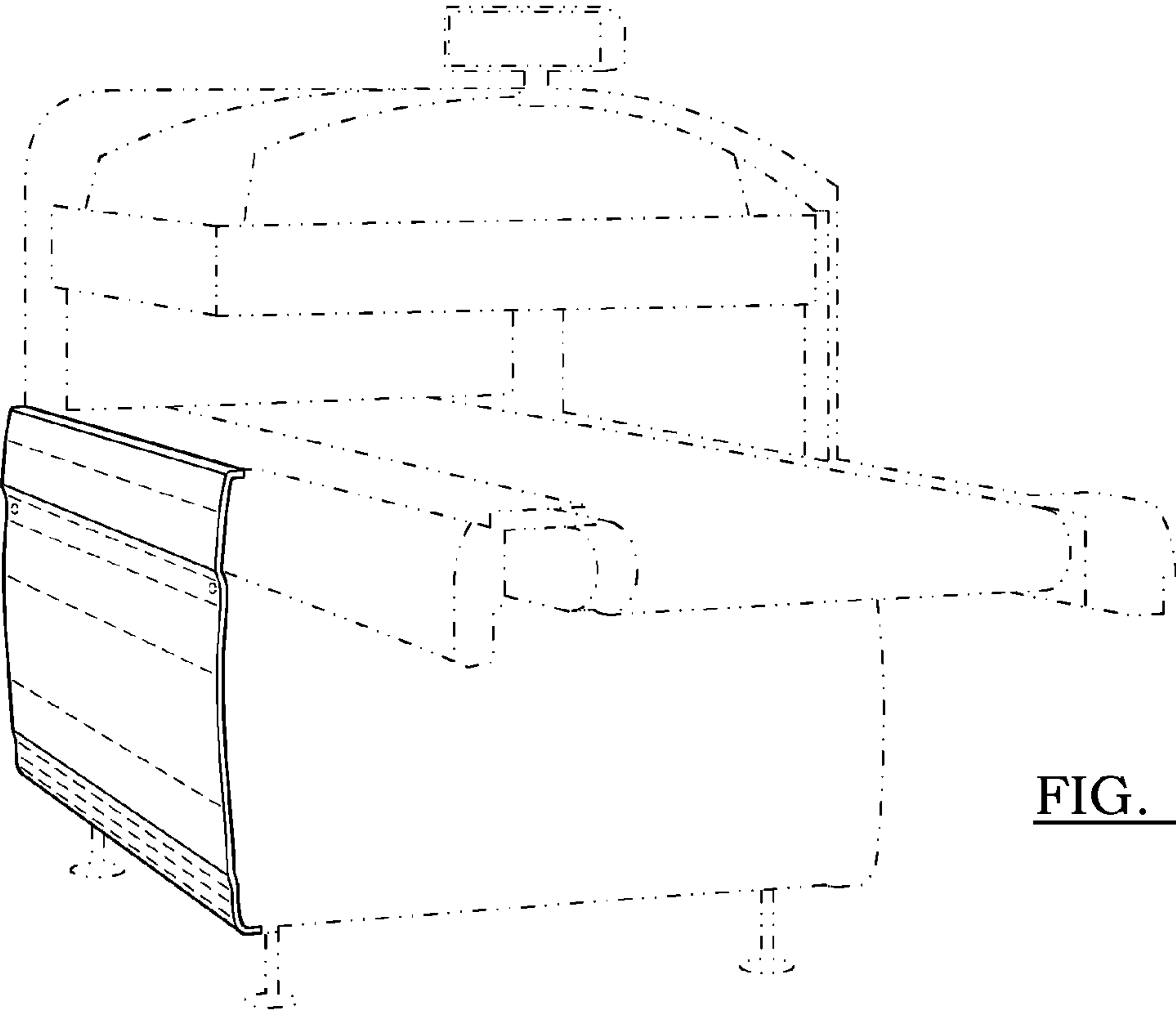
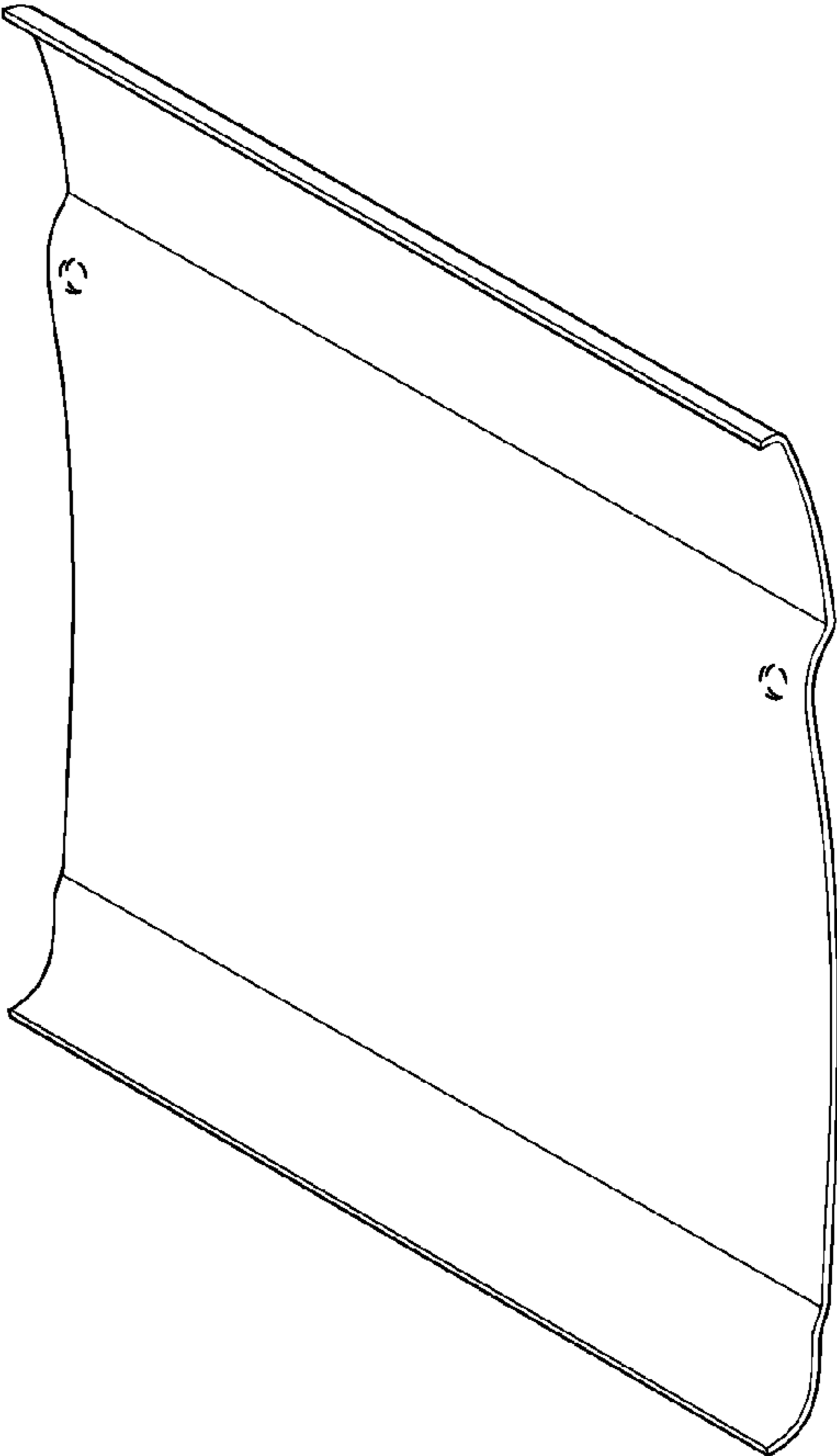


FIG. 5