



US00D616473S

(12) **United States Design Patent**
Higgins et al.

(10) **Patent No.:** **US D616,473 S**

(45) **Date of Patent:** **** May 25, 2010**

(54) **ROD SCRAPER**

(76) Inventors: **Daniel Richard Higgins**, 14743 SW.
Shoue Dr., Tigard, OR (US) 97224;
Michael J. Kranda, 17990 NW.
Brickstone La., Beaverton, OR (US)
97006

(**) Term: **14 Years**

(21) Appl. No.: **29/341,578**

(22) Filed: **Aug. 7, 2009**

(51) **LOC (9) Cl.** **15-09**

(52) **U.S. Cl.** **D15/138; D15/144**

(58) **Field of Classification Search** D15/138,
D15/144, 199; D23/286; 15/104.04, 104.096,
15/236.07, 256.5; 277/549, 550, 553, 560;
432/2, 75

See application file for complete search history.

(56) **References Cited**

U.S. PATENT DOCUMENTS

1,822,521	A *	9/1931	Fox et al.	15/256.5
2,421,564	A *	6/1947	Kleiderlein	15/236.09
2,443,853	A *	6/1948	Fall	15/256.5
2,772,105	A *	11/1956	Wyse	15/256.5
2,884,654	A *	5/1959	Fall	15/104.04
4,050,514	A *	9/1977	Prenn	166/176
4,068,759	A *	1/1978	Abdul-Rahman	209/691
4,577,363	A	3/1986	Wyse	
4,872,834	A	10/1989	Williams, Jr.	
5,823,675	A *	10/1998	Myerly	366/310
6,029,302	A *	2/2000	Coura et al.	15/3.5
6,047,970	A	4/2000	Friend et al.	
2001/0032659	A1 *	10/2001	Wang et al.	134/6
2004/0206590	A1 *	10/2004	Harbu et al.	188/322.16
2009/0270817	A1 *	10/2009	Moreno et al.	604/264

* cited by examiner

Primary Examiner—Sandra Snapp

Assistant Examiner—Patricia Palasik

(74) *Attorney, Agent, or Firm*—Scheinberg & Griner, LLP;
David Griner; Randall Burton

(57) **CLAIM**

The ornamental design for a rod scraper, as shown and described.

DESCRIPTION

FIG. 1 is a front perspective view of a rod scraper according to the present design.

FIG. 2 is a back perspective view of the rod scraper of FIG. 1.

FIG. 3 is a top view of the rod scraper of FIG. 1.

FIG. 4 is a bottom view of the rod scraper of FIG. 1.

FIG. 5 is a right side view of the rod scraper of FIG. 1.

FIG. 6 is a left side view of the rod scraper of FIG. 1.

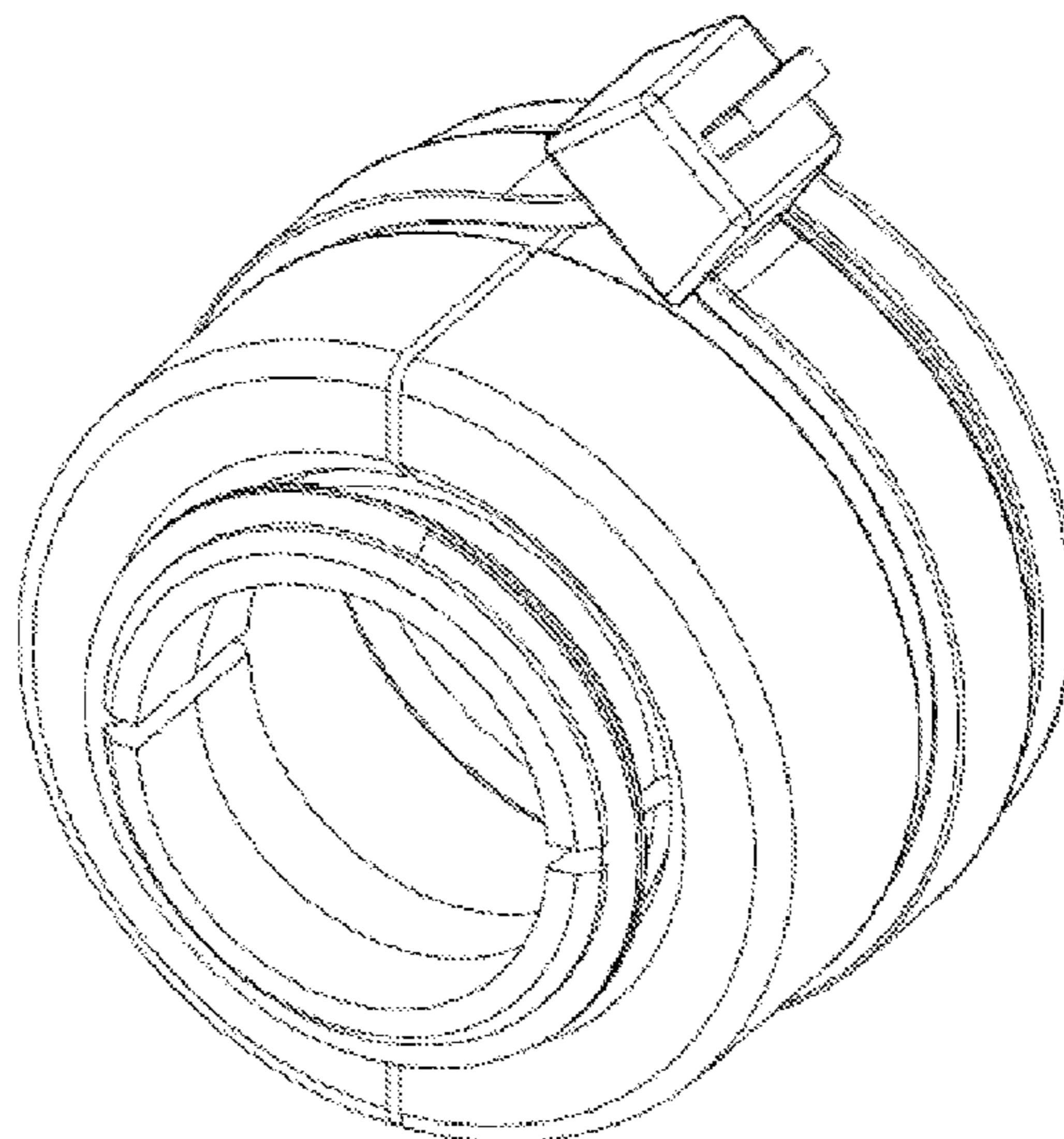
FIG. 7 is an exploded view shown for ease of illustration of the rod scraper of FIG. 1 showing a retaining spring ring separated from the two inner scraper sections and two outer housing sections with a securing clamp; and,

FIG. 8 is a front perspective view of the rod scraper of FIG. 1 with the scraper mounted onto an outer stationary cylindrical housing so that the internal surface of the rod scraper is held against the outer surface of the internal reciprocating rod.

The broken lines showing the outer stationary cylindrical housing and the internal reciprocating rod in FIG. 8 are for illustrative purposes only and form no part of the claimed design.

The article in which the present design is embodied is a rod scraper used to clean the outer surface of an internal reciprocating rod that is moved linearly through a stationary support, such as an outer stationary cylindrical housing found in port cleaning systems for recovery boilers or a pneumatic or hydraulic cylinder.

1 Claim, 6 Drawing Sheets



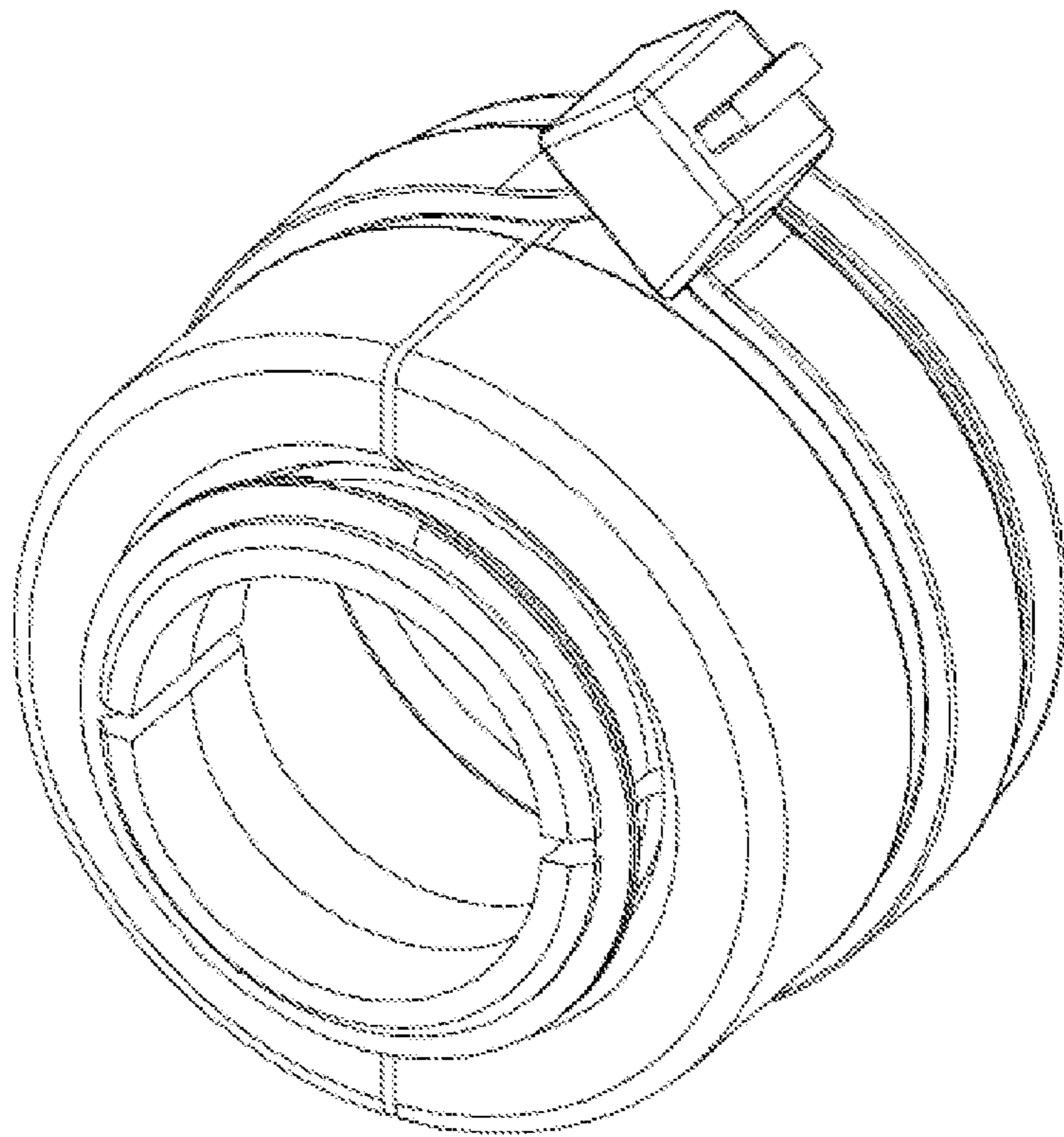


FIG. 1

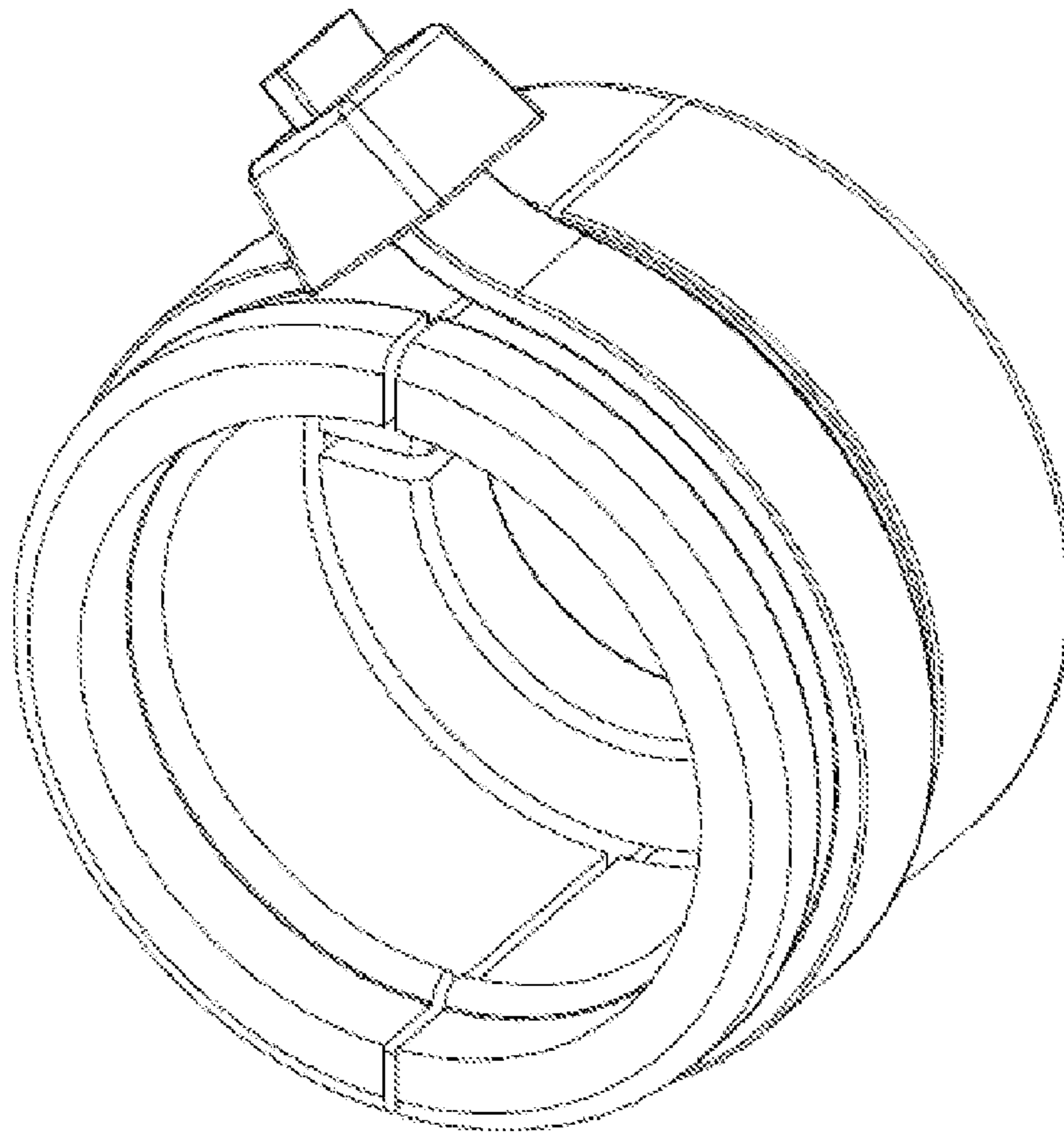


FIG. 2

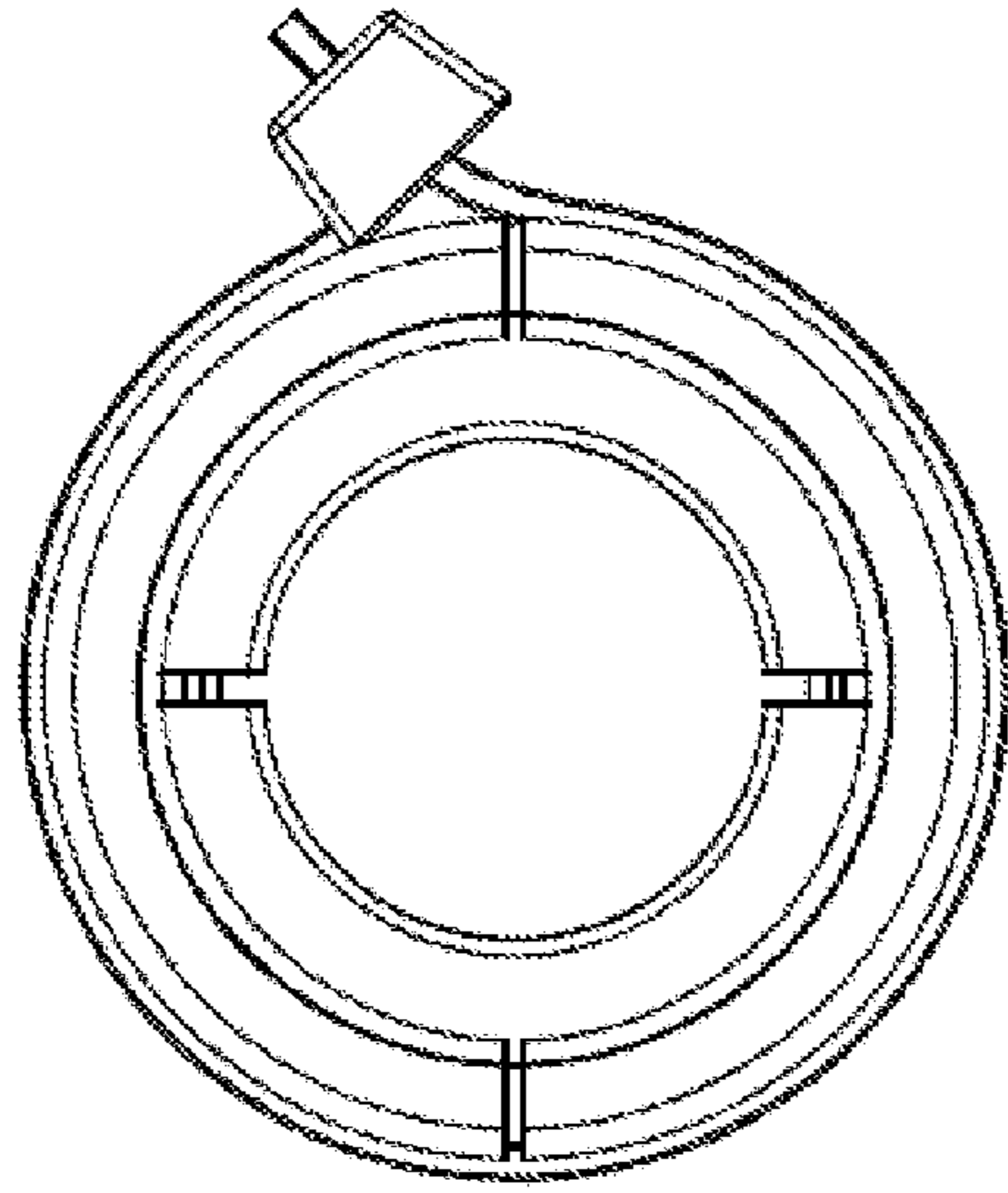


FIG. 3

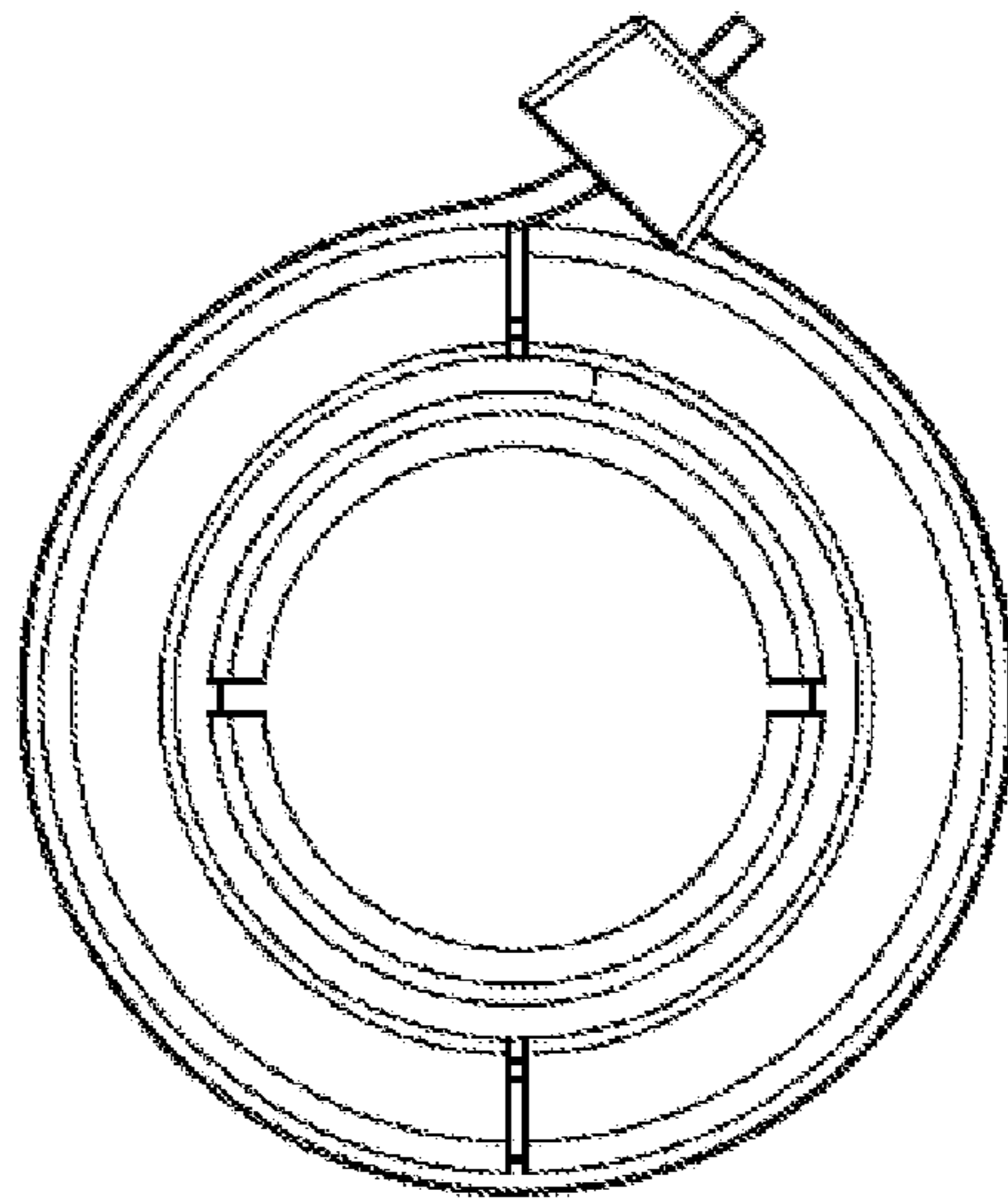


FIG. 4

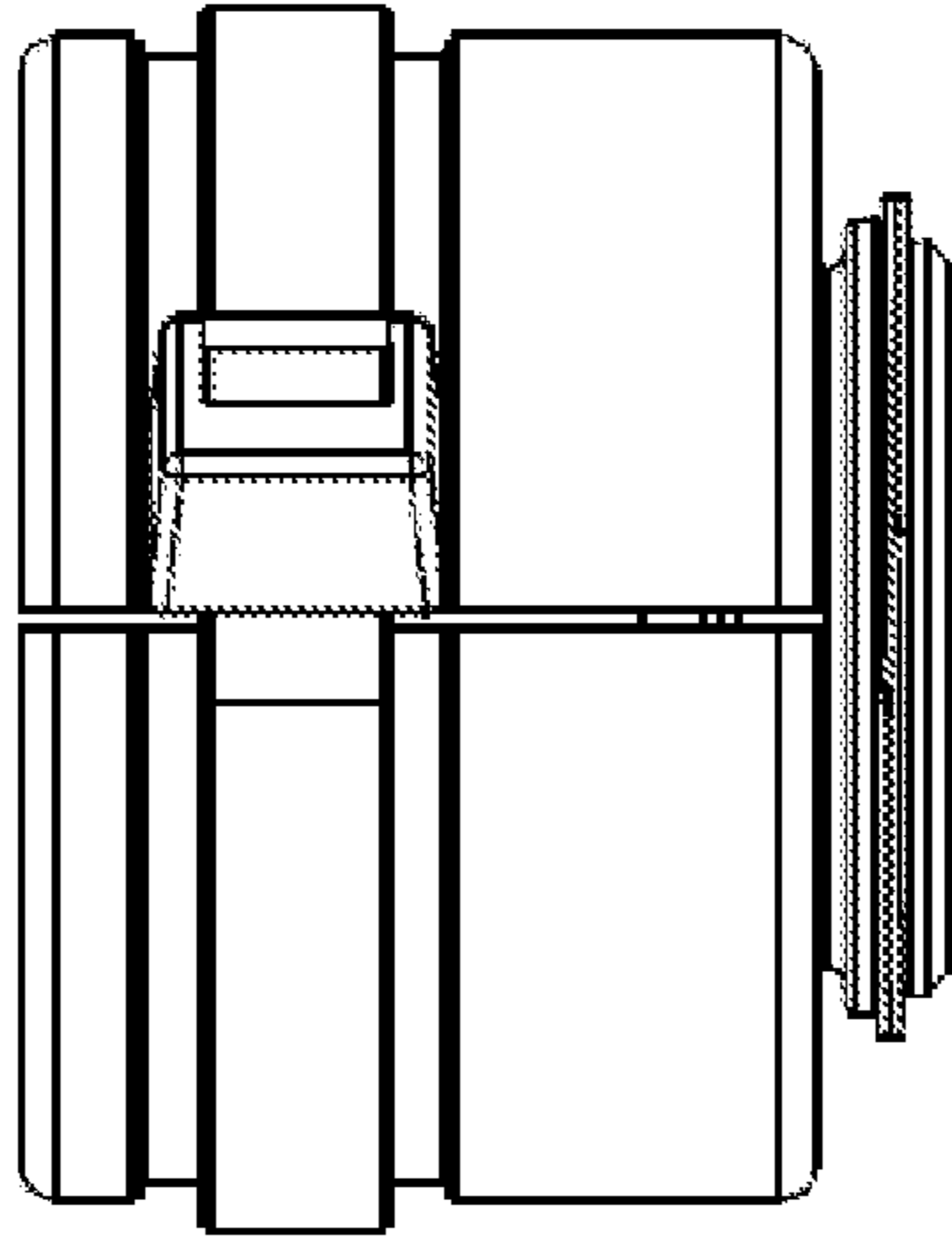


FIG. 5

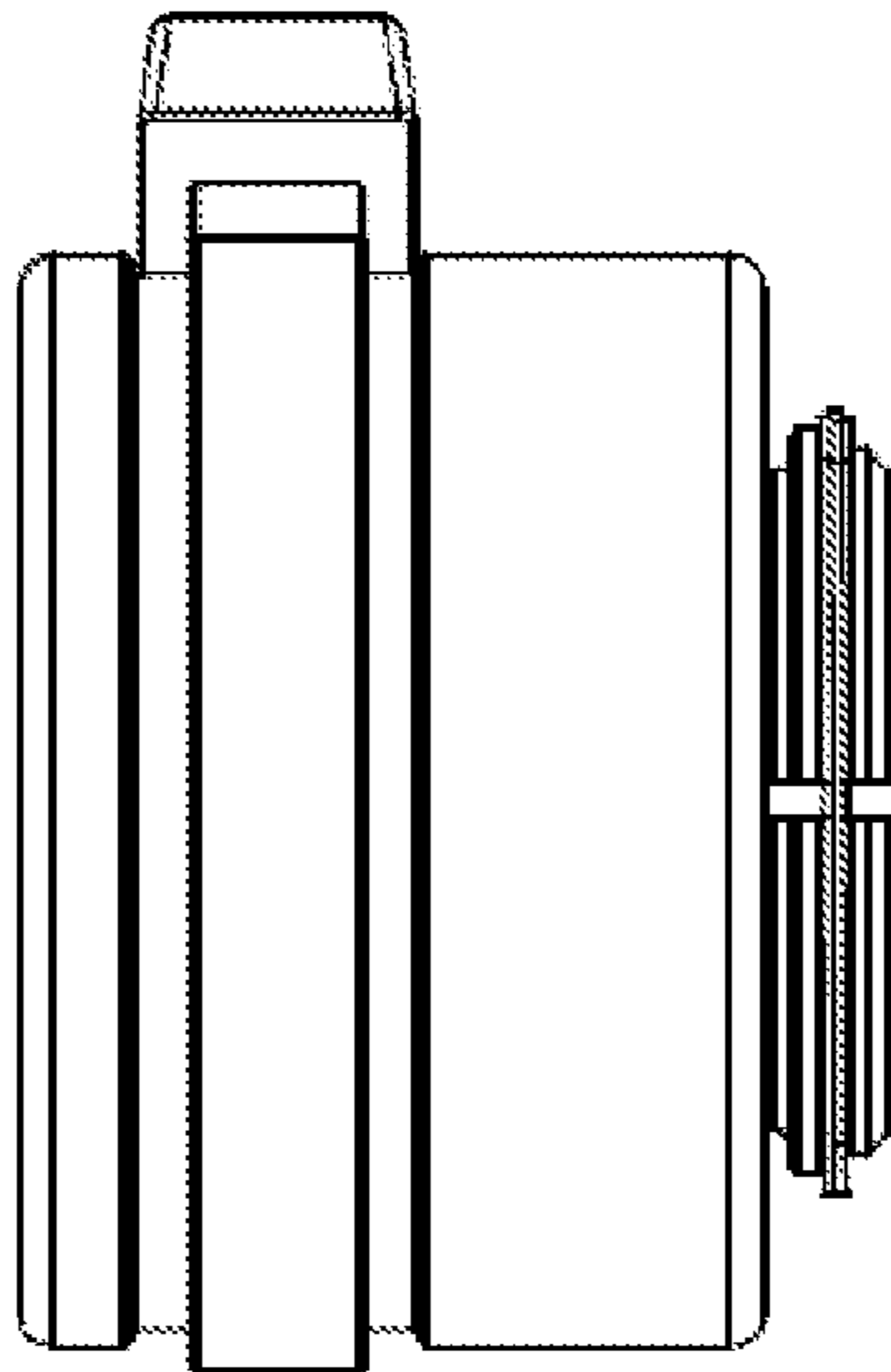


FIG. 6

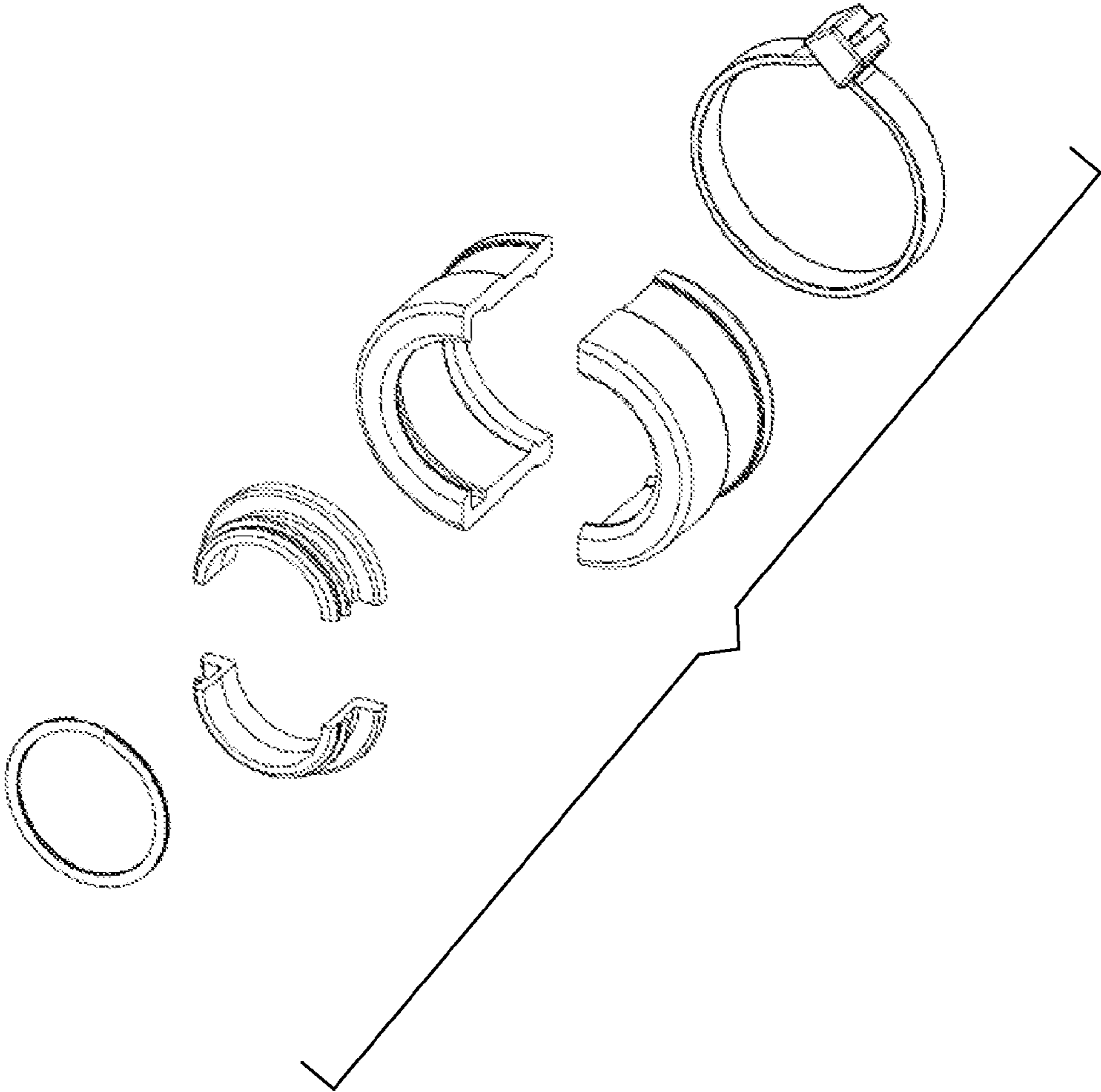


FIG. 7

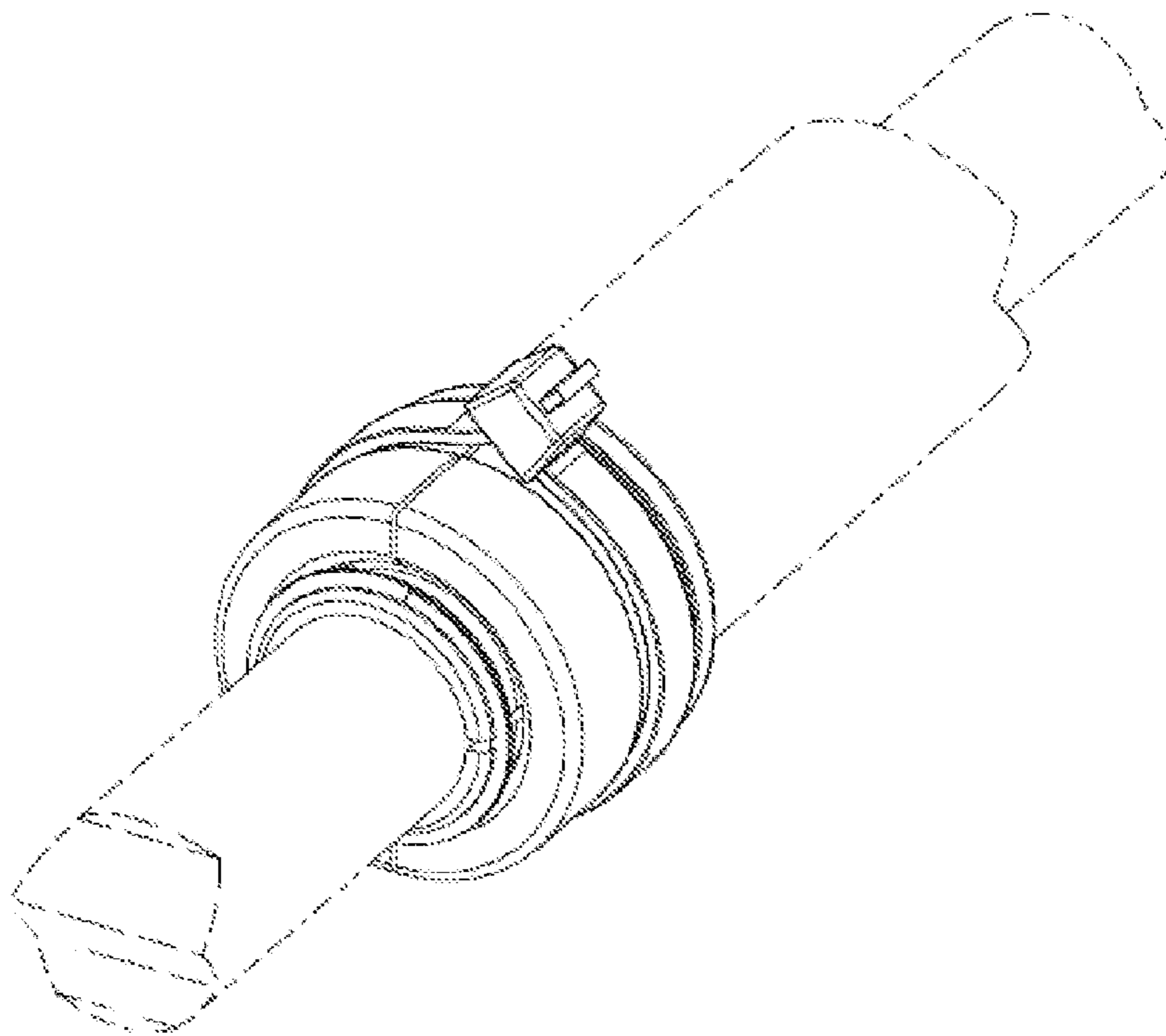


FIG. 8