



US00D616472S

(12) **United States Design Patent**
Fusejima

(10) **Patent No.:** **US D616,472 S**
(45) **Date of Patent:** **** May 25, 2010**

(54) **POWDER AND PARTICLE COATING APPARATUS**

FOREIGN PATENT DOCUMENTS

JP D1168951 3/2003

* cited by examiner

Primary Examiner—Sandra Snapp
Assistant Examiner—Patricia Palasik
(74) *Attorney, Agent, or Firm*—Wenderoth, Lind & Ponack, L.L.P.

(75) Inventor: **Yasutoyo Fusejima**, Tokyo (JP)
(73) Assignee: **Freund Corporation**, Tokyo (JP)
(**) Term: **14 Years**
(21) Appl. No.: **29/311,548**
(22) Filed: **Apr. 20, 2009**

(30) **Foreign Application Priority Data**

Oct. 20, 2008 (JP) 2008-026872

(51) **LOC (9) Cl.** **15-09**
(52) **U.S. Cl.** **D15/122**
(58) **Field of Classification Search** D15/122,
D15/124, 199; 118/64, 300, 309, 310, 324
See application file for complete search history.

(57) **CLAIM**

The ornamental design for a powder and particle coating apparatus, as shown and described.

DESCRIPTION

FIG. 1 is a front elevation view of a powder and particle coating apparatus.

FIG. 2 is a rear elevation view of a powder and particle coating apparatus of FIG. 1.

FIG. 3 is a left side view of a powder and particle coating apparatus of FIG. 1.

FIG. 4 is a right side view of a powder and particle coating apparatus of FIG. 1.

FIG. 5 is a top view of a powder and particle coating apparatus of FIG. 1.

FIG. 6 is a bottom view of a powder and particle coating apparatus of FIG. 1; and,

FIG. 7 is a perspective view of a powder and particle coating apparatus of FIG. 1.

The broken lines in the drawings depict unclaimed environmental subject matter.

(56) **References Cited**

U.S. PATENT DOCUMENTS

2,400,315 A * 5/1946 Paasche 118/64
6,068,702 A * 5/2000 Bertellotti et al. 118/621
D479,254 S * 9/2003 Kalen et al. D15/199
D530,287 S * 10/2006 Stolpe et al. D13/162
D557,663 S * 12/2007 Schneider D13/163
D567,264 S * 4/2008 Muller et al. D15/122
2006/0147633 A1 * 7/2006 Jones 427/299
2006/0233960 A1 * 10/2006 Warren et al. 427/421.1
2006/0243199 A1 * 11/2006 Kiene 118/302
2008/0003349 A1 * 1/2008 Van Sciver et al. 427/8

1 Claim, 7 Drawing Sheets

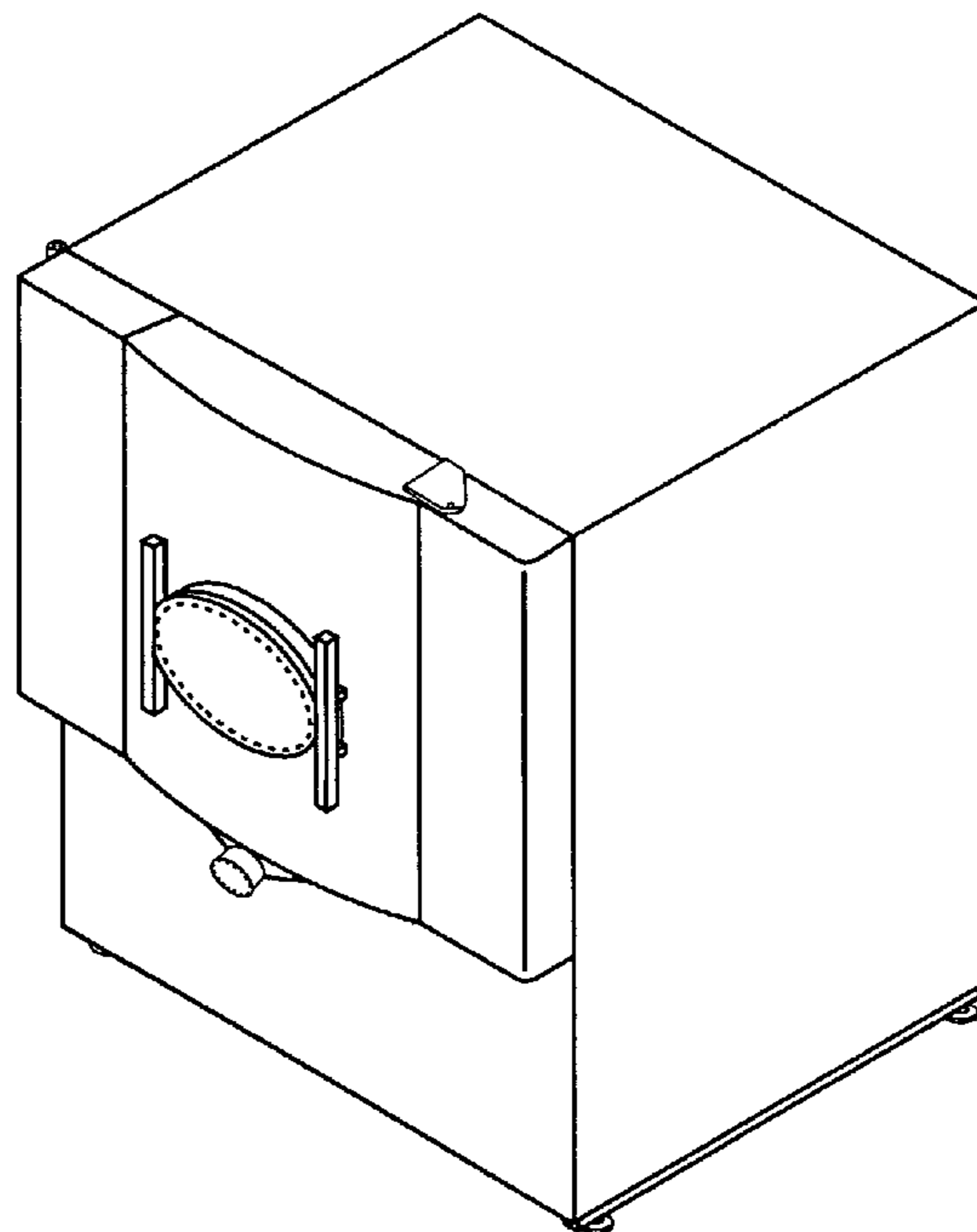


FIG. 1

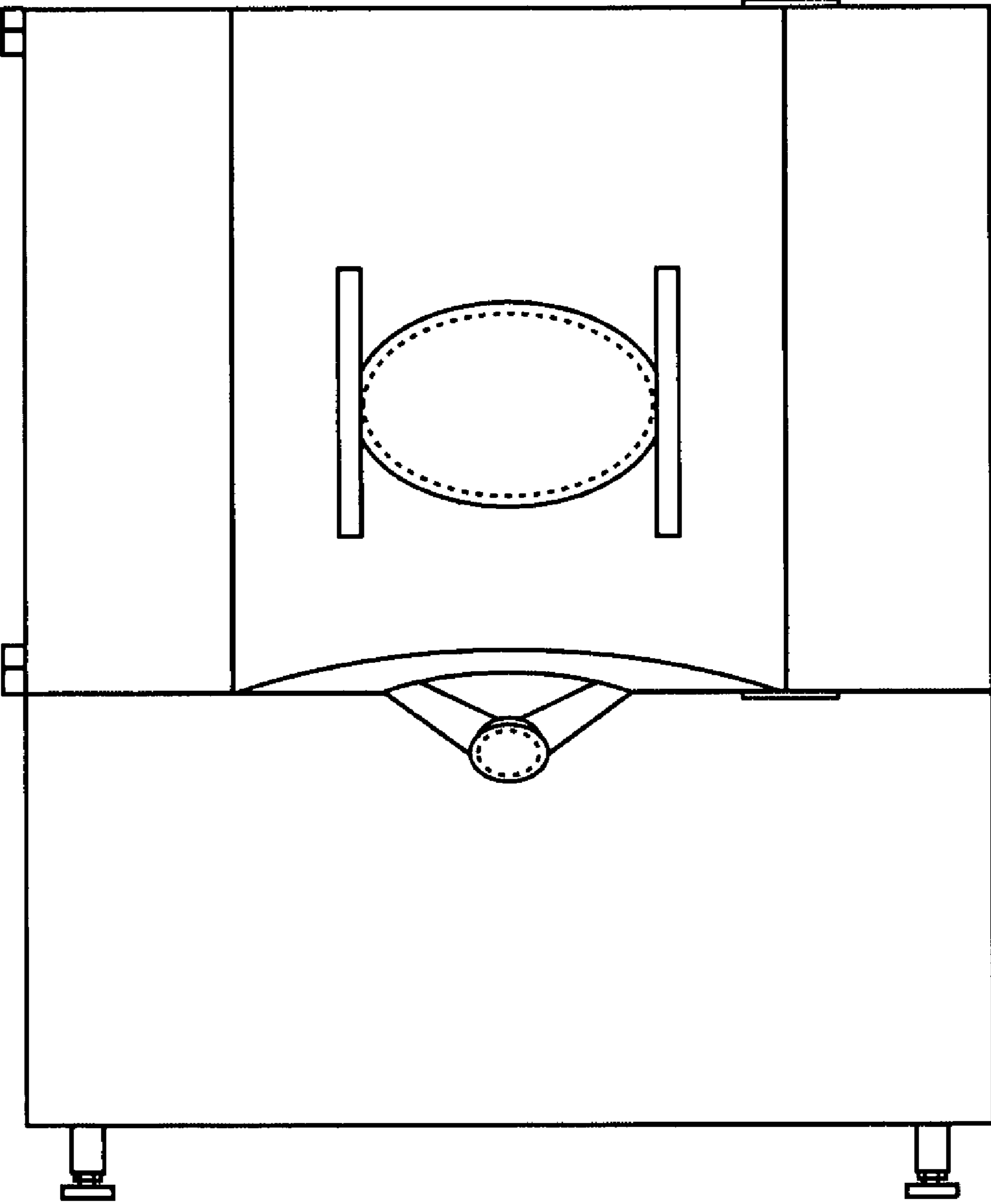


FIG. 2

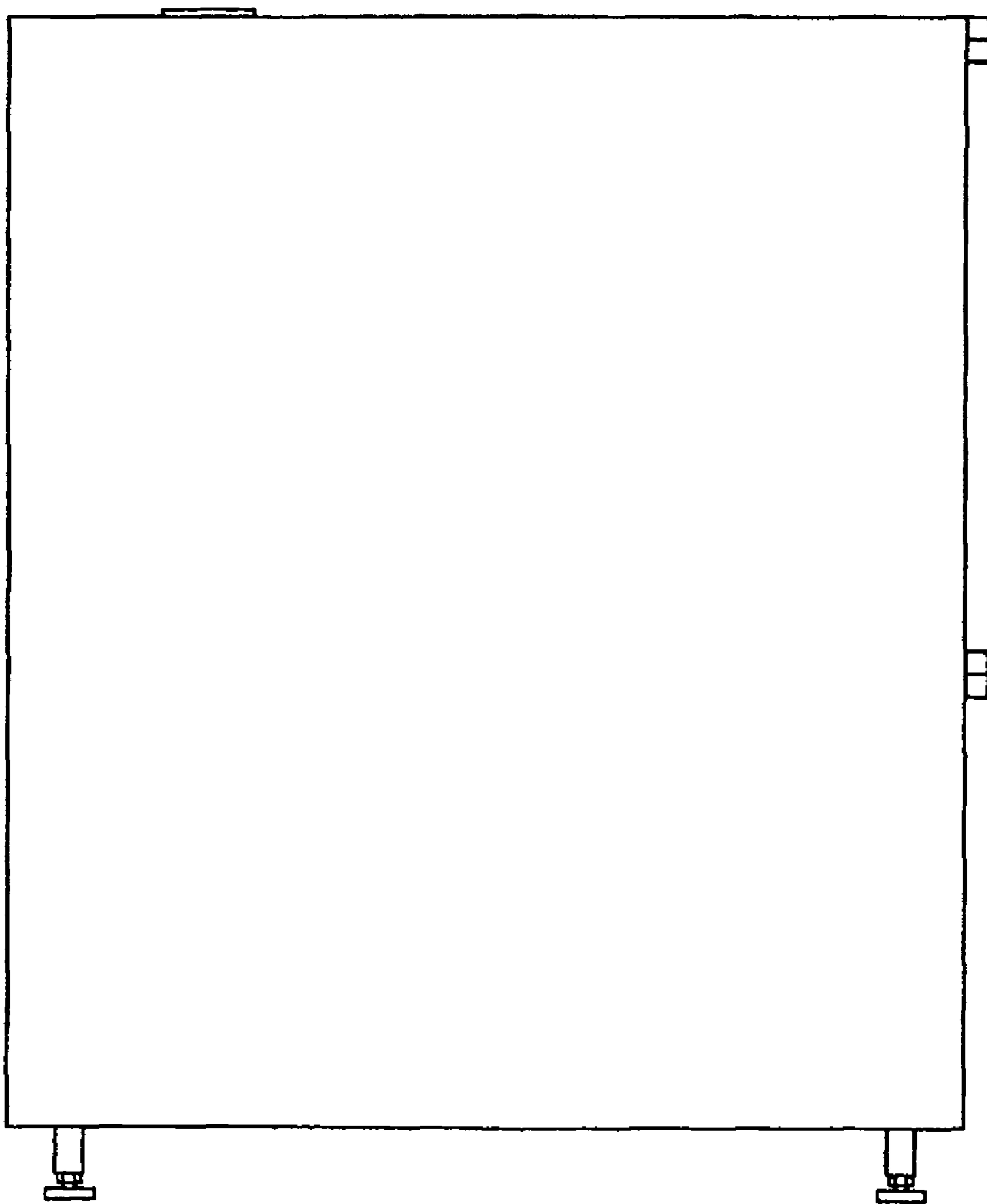


FIG. 3

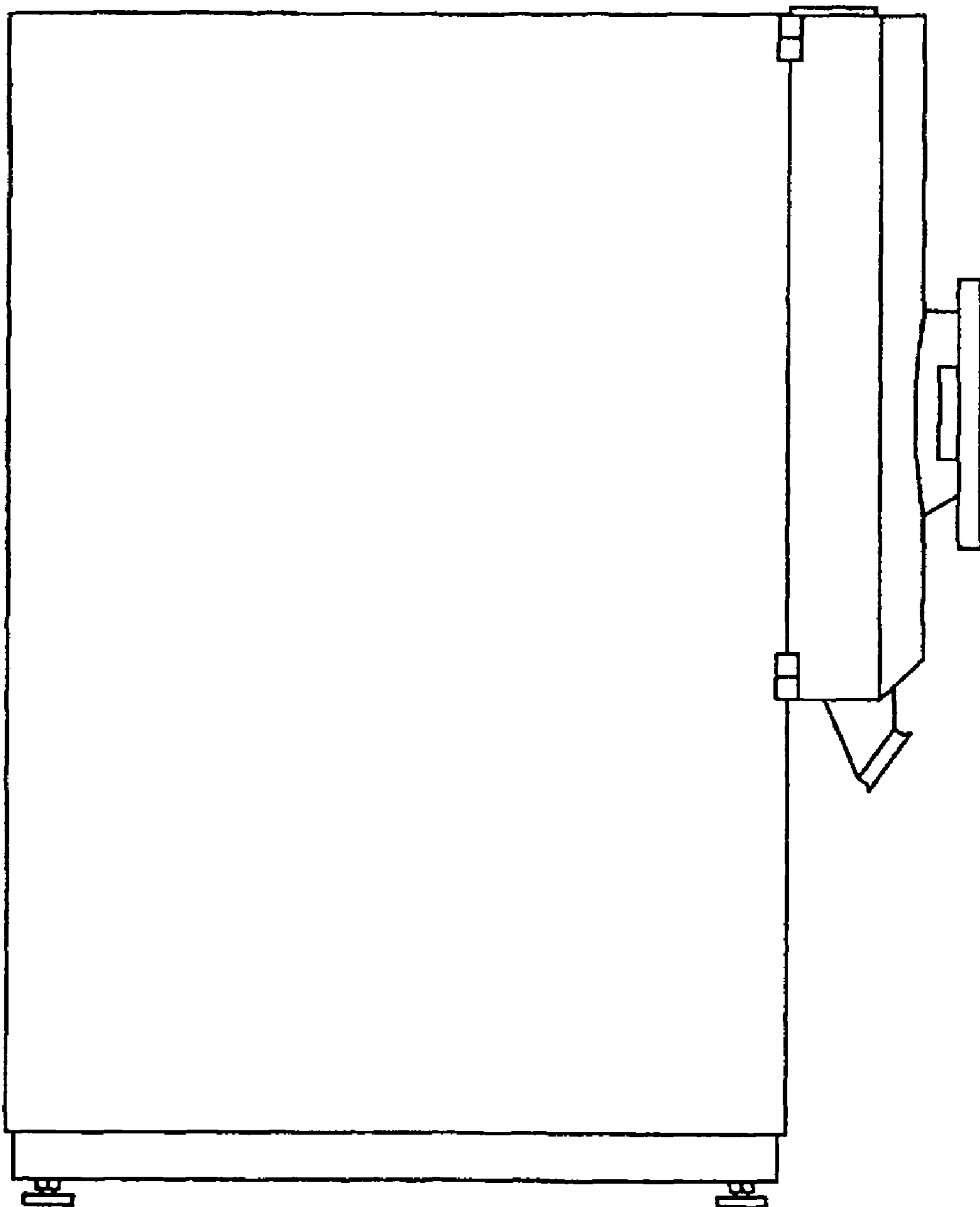


FIG. 4

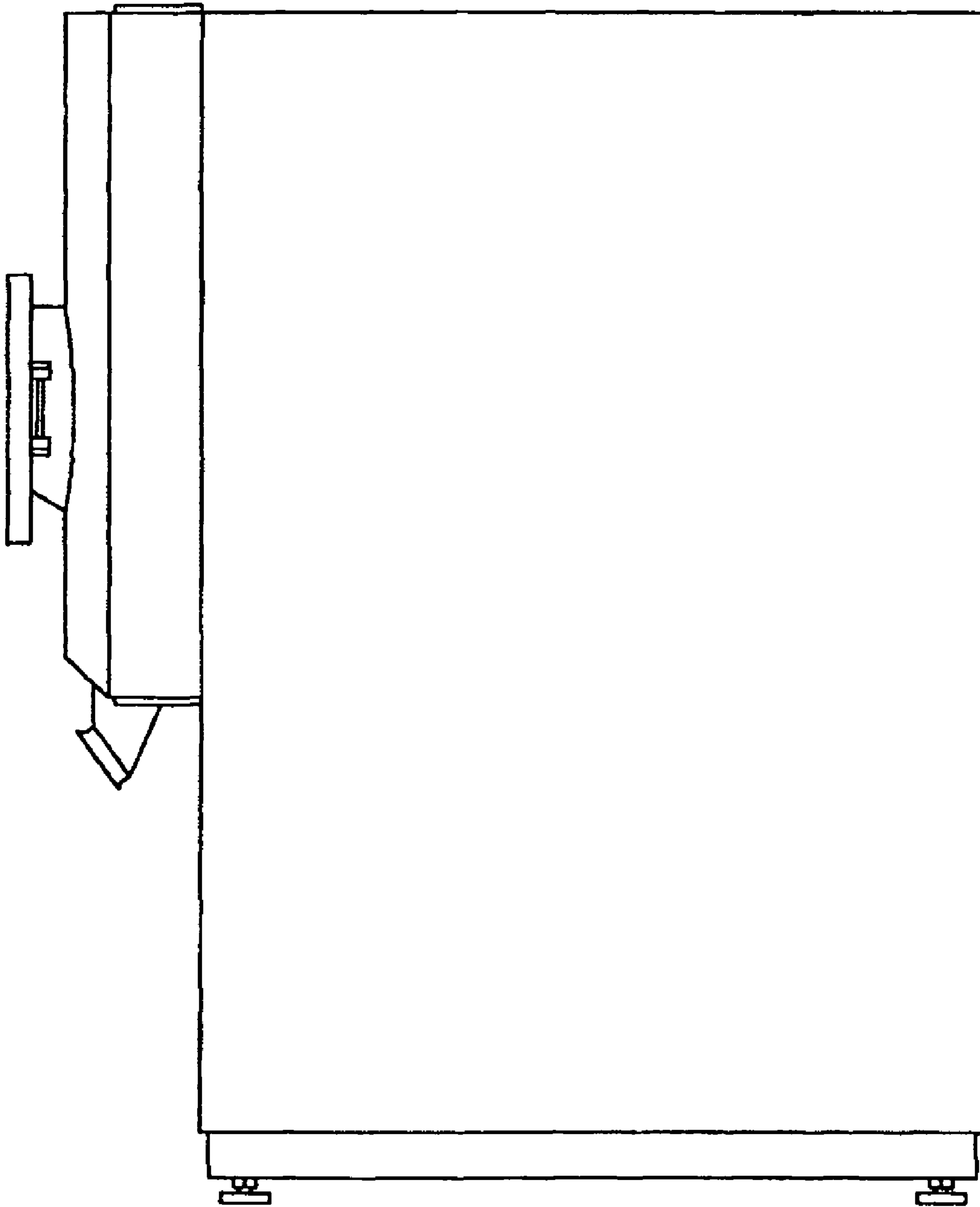


FIG. 5

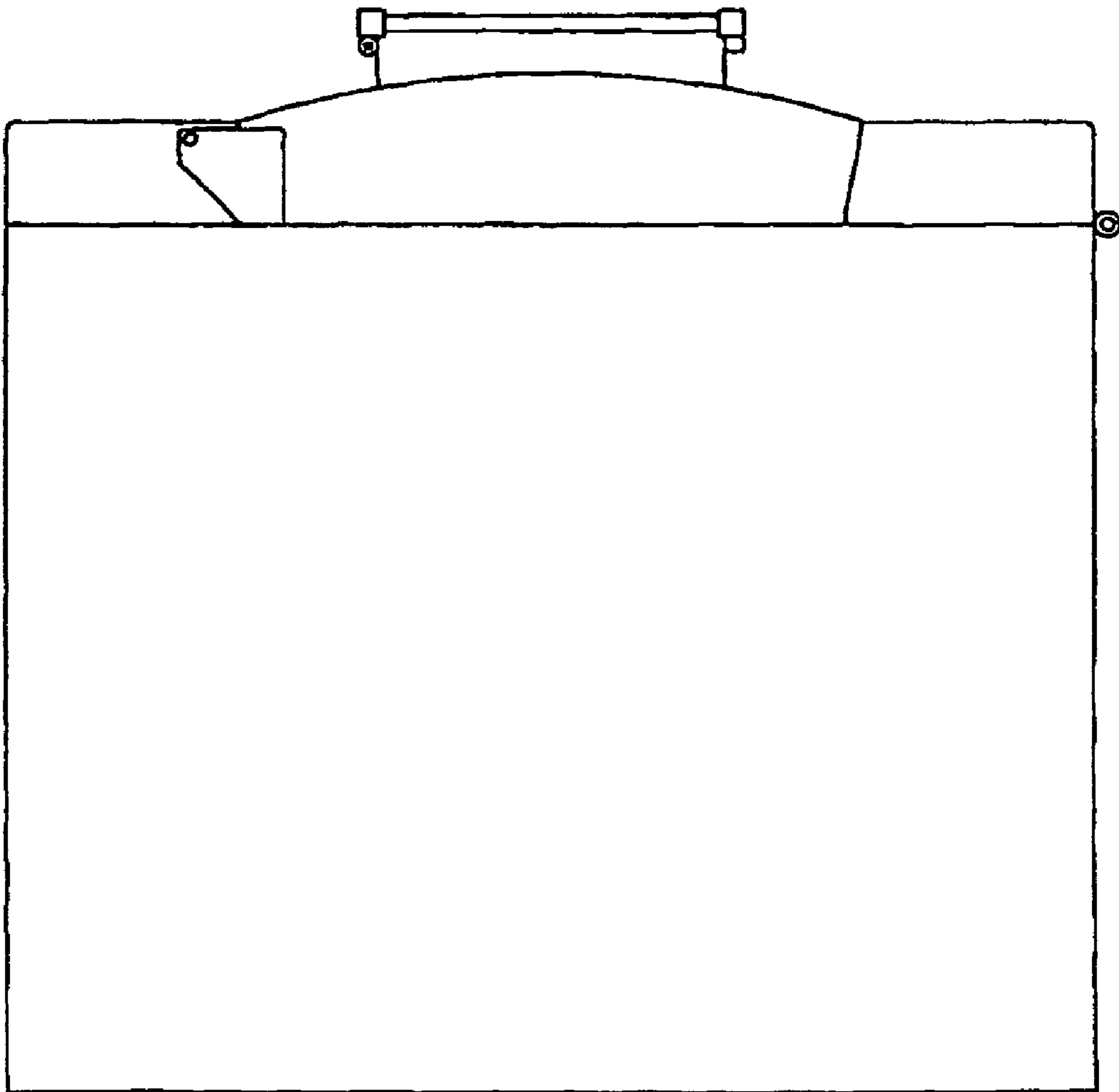


FIG. 6

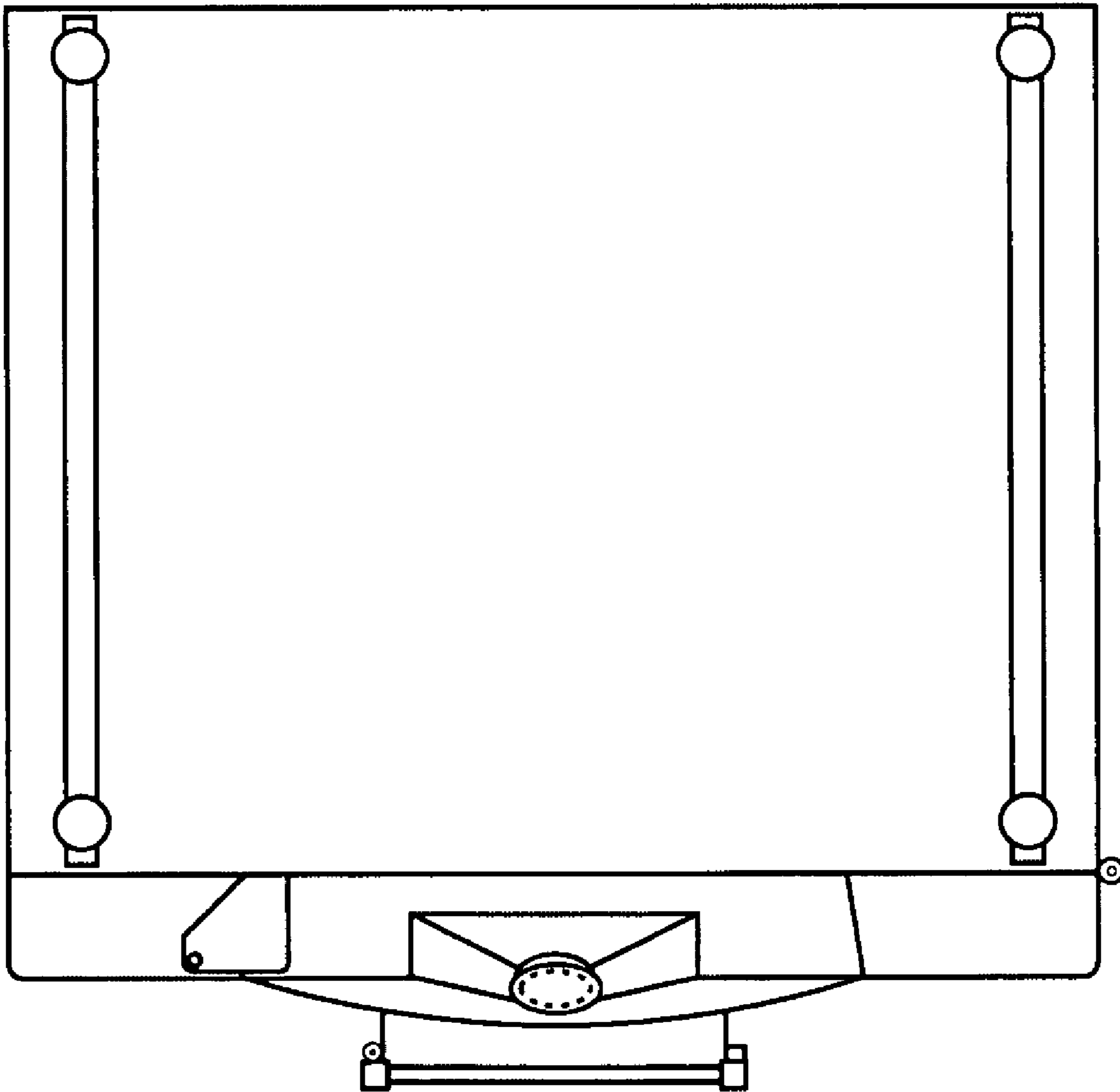


FIG. 7

