



US00D616467S

(12) **United States Design Patent**  
**Reverberi et al.**

(10) **Patent No.:** **US D616,467 S**

(45) **Date of Patent:** **\*\* May 25, 2010**

(54) **PISTON PUMP**

(75) Inventors: **Stefano Reverberi**, Modena (IT);  
**Maurizio Magri**, Modena (IT)

(73) Assignee: **Annovi Reverberi S.p.A.**, Modena (IT)

(\*\*) Term: **14 Years**

(21) Appl. No.: **29/322,184**

(22) Filed: **Jul. 30, 2008**

(30) **Foreign Application Priority Data**

Mar. 31, 2008 (EM) ..... 000906185

(51) **LOC (9) Cl.** ..... **15-01**

(52) **U.S. Cl.** ..... **D15/5**

(58) **Field of Classification Search** ..... D15/1-9.1;  
60/408-409, 443-445, 448, 451-452; 417/91-98,  
417/60, 360, 366, 900; 123/495, 509; 415/140-147;  
184/26; D13/114

See application file for complete search history.

(56) **References Cited**

**U.S. PATENT DOCUMENTS**

D271,976 S \* 12/1983 Brown ..... D15/7

D273,586 S \* 4/1984 Hodgson ..... D15/7  
D496,670 S \* 9/2004 Ohnishi ..... D15/7  
D528,982 S \* 9/2006 Reverberi ..... D13/122  
D536,005 S \* 1/2007 Reverberi ..... D15/5

\* cited by examiner

*Primary Examiner*—Ian Simmons

*Assistant Examiner*—Wan Laymon

(74) *Attorney, Agent, or Firm*—Browdy and Neimark, PLLC

(57) **CLAIM**

The ornamental design for a “piston pump,” as shown and described.

**DESCRIPTION**

FIG. 1 is a front view of a piston pump showing our new design;

FIG. 2 is a rear view thereof;

FIG. 3 is a bottom plan view;

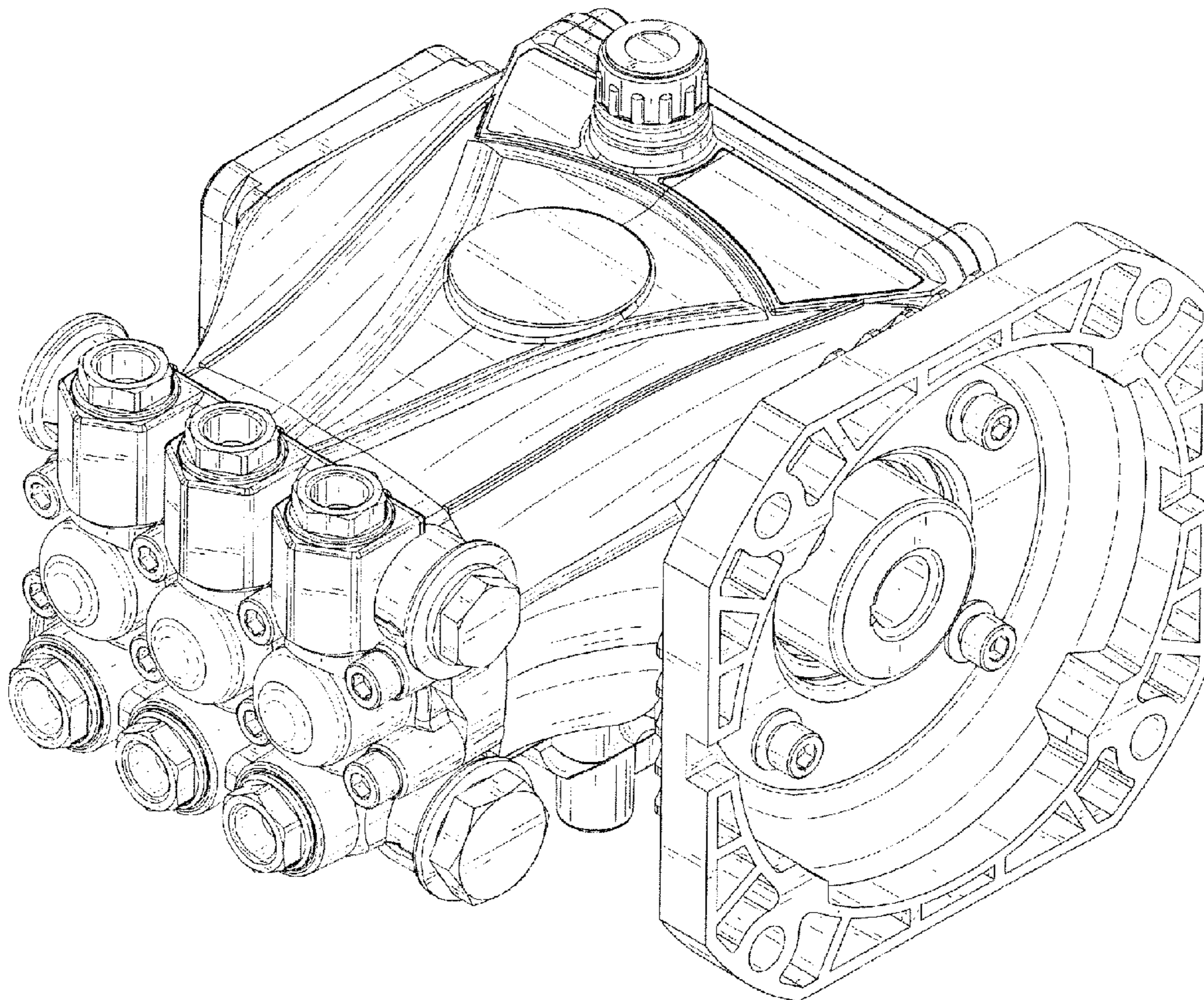
FIG. 4 is a top plan view thereof;

FIG. 5 is a right side view thereof;

FIG. 6 is a left side view thereof; and,

FIG. 7 is a perspective view thereof.

**1 Claim, 7 Drawing Sheets**



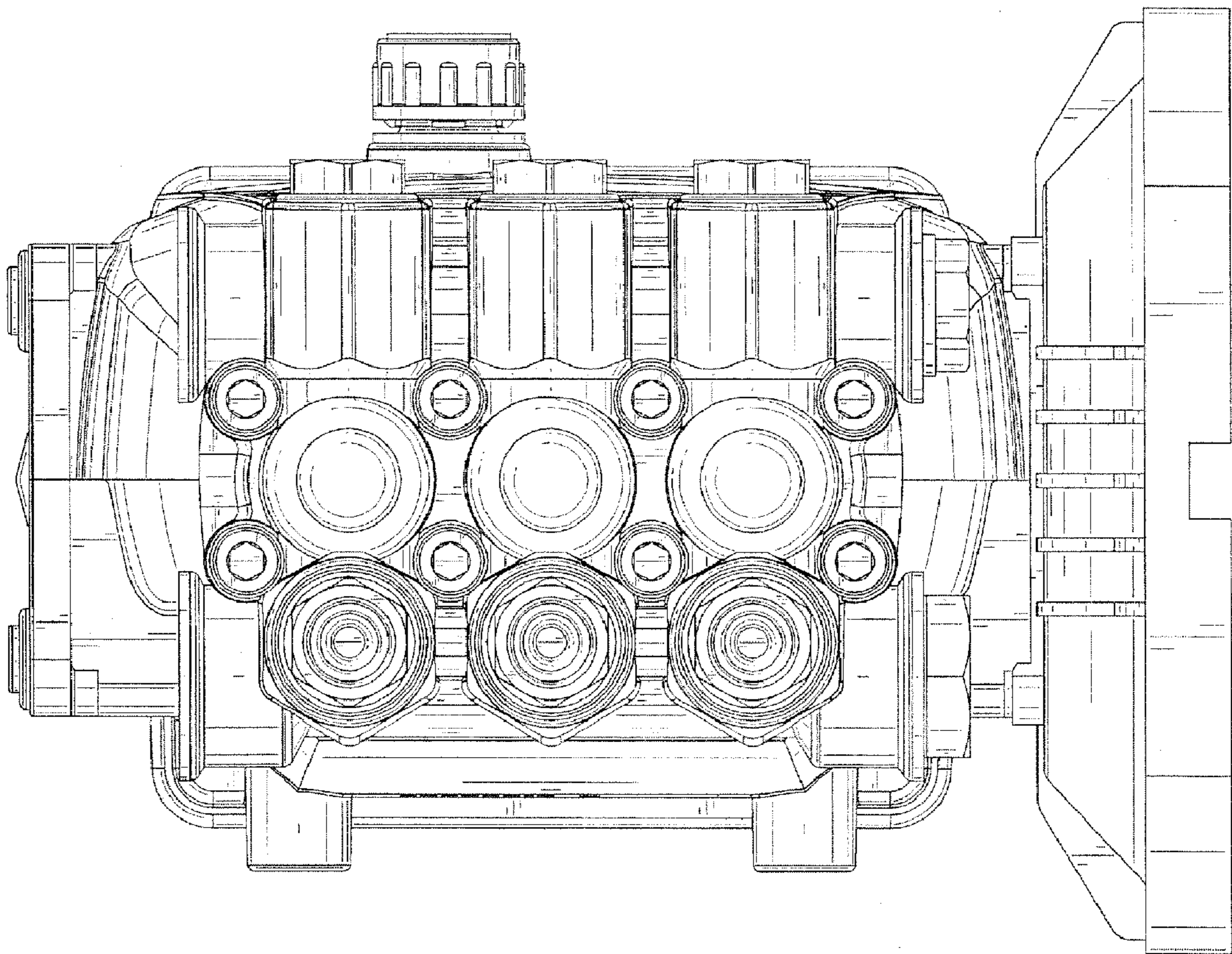


FIG. 1

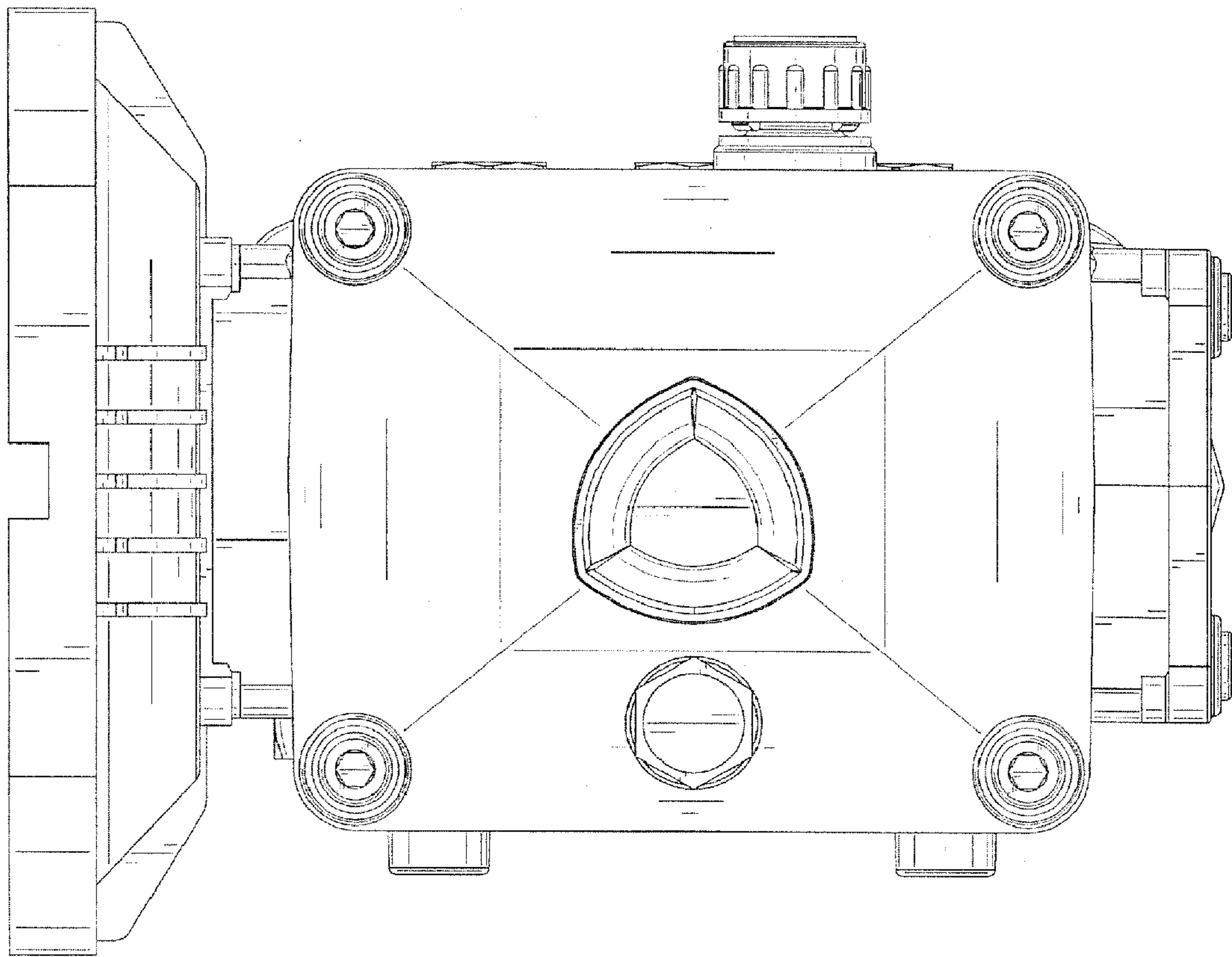


FIG. 2

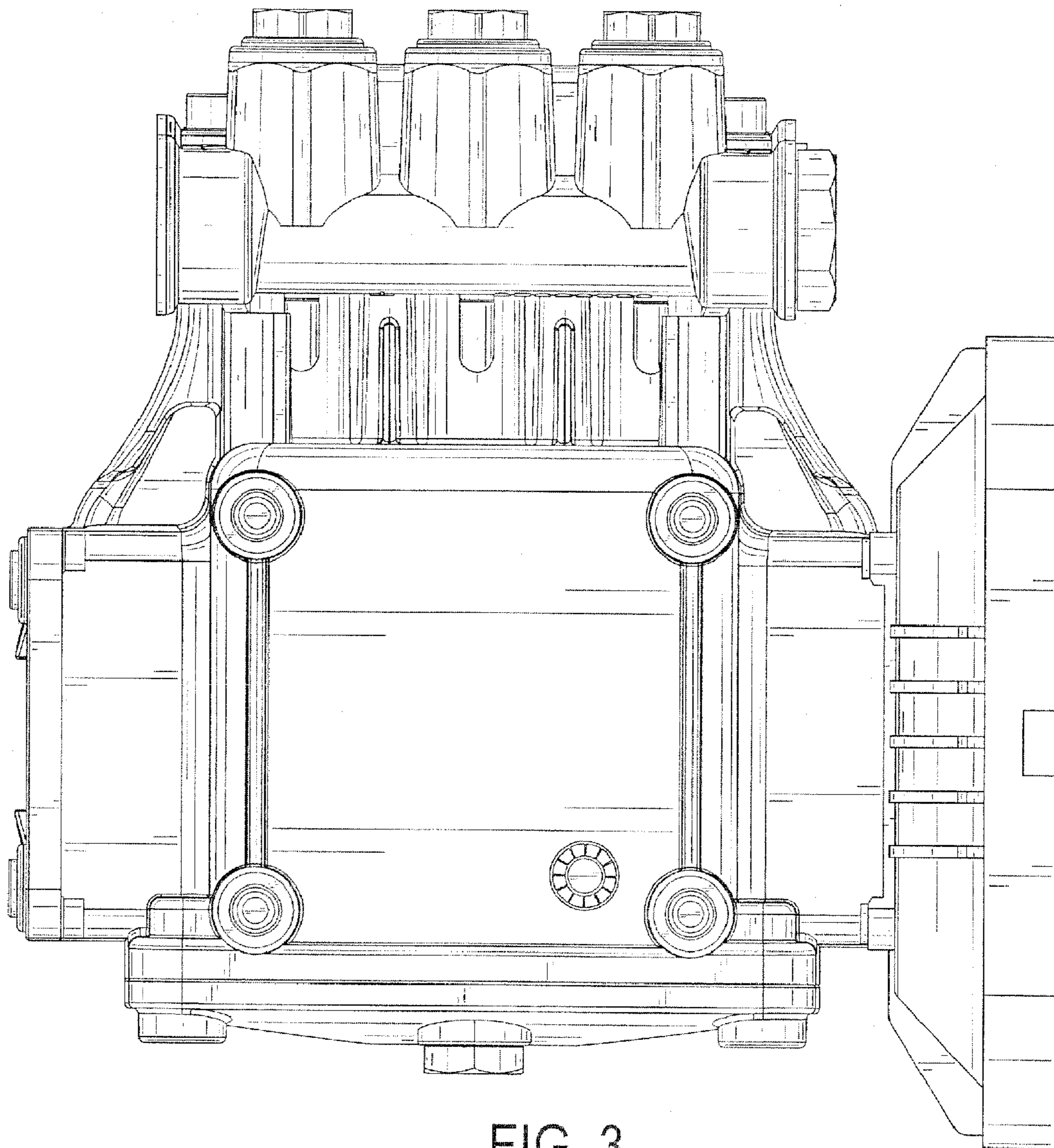


FIG. 3

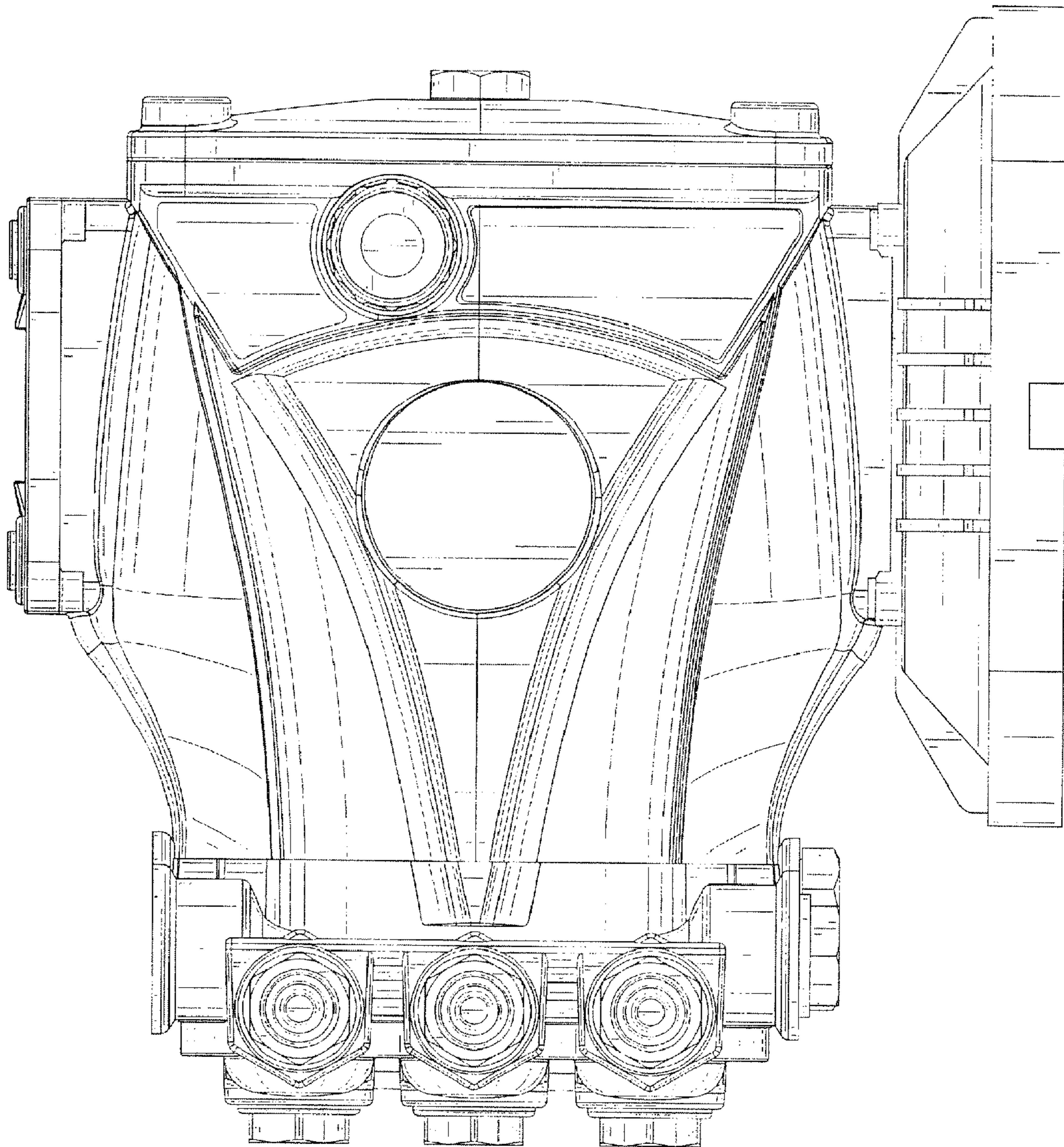


FIG. 4

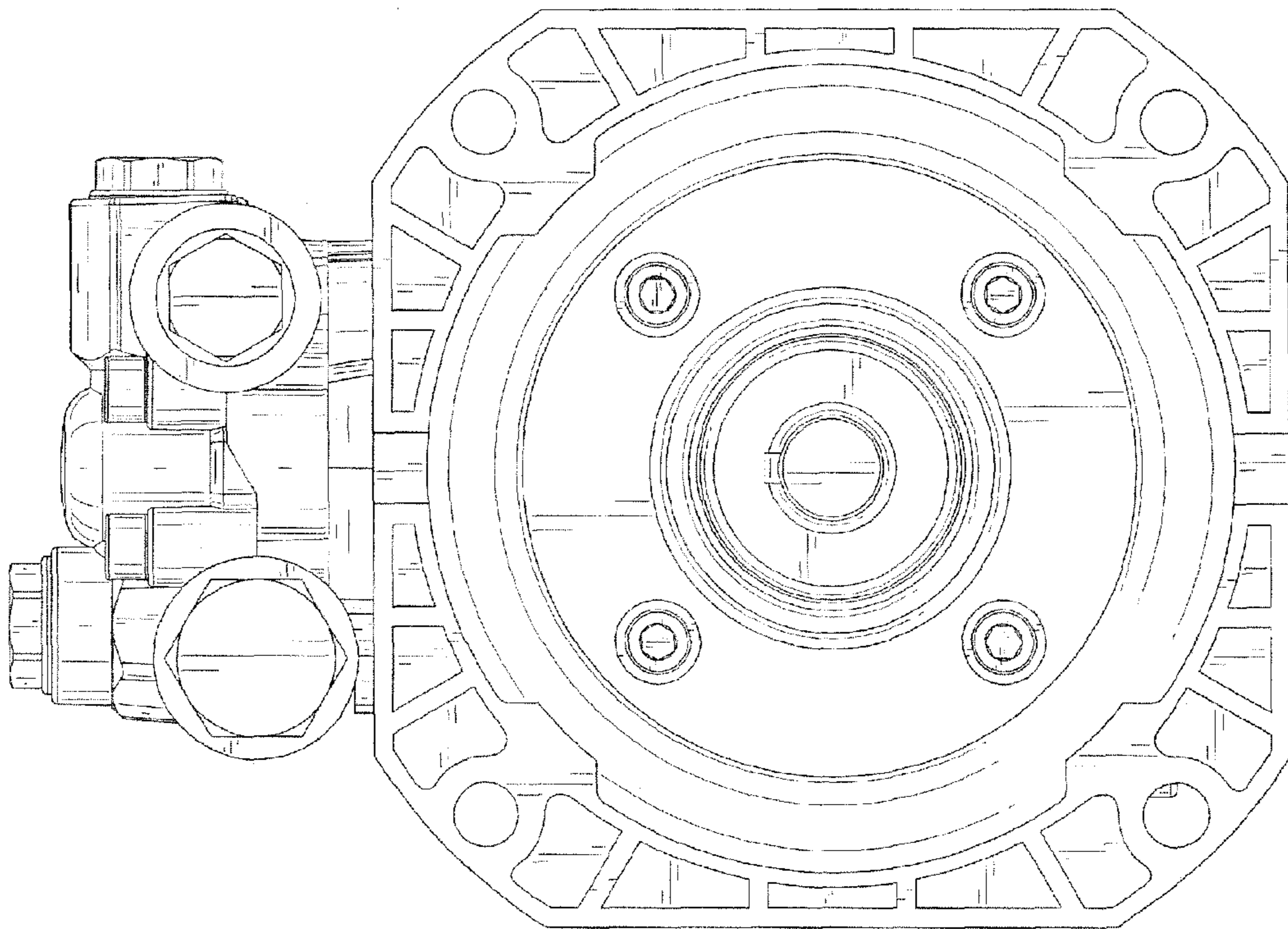


FIG. 5

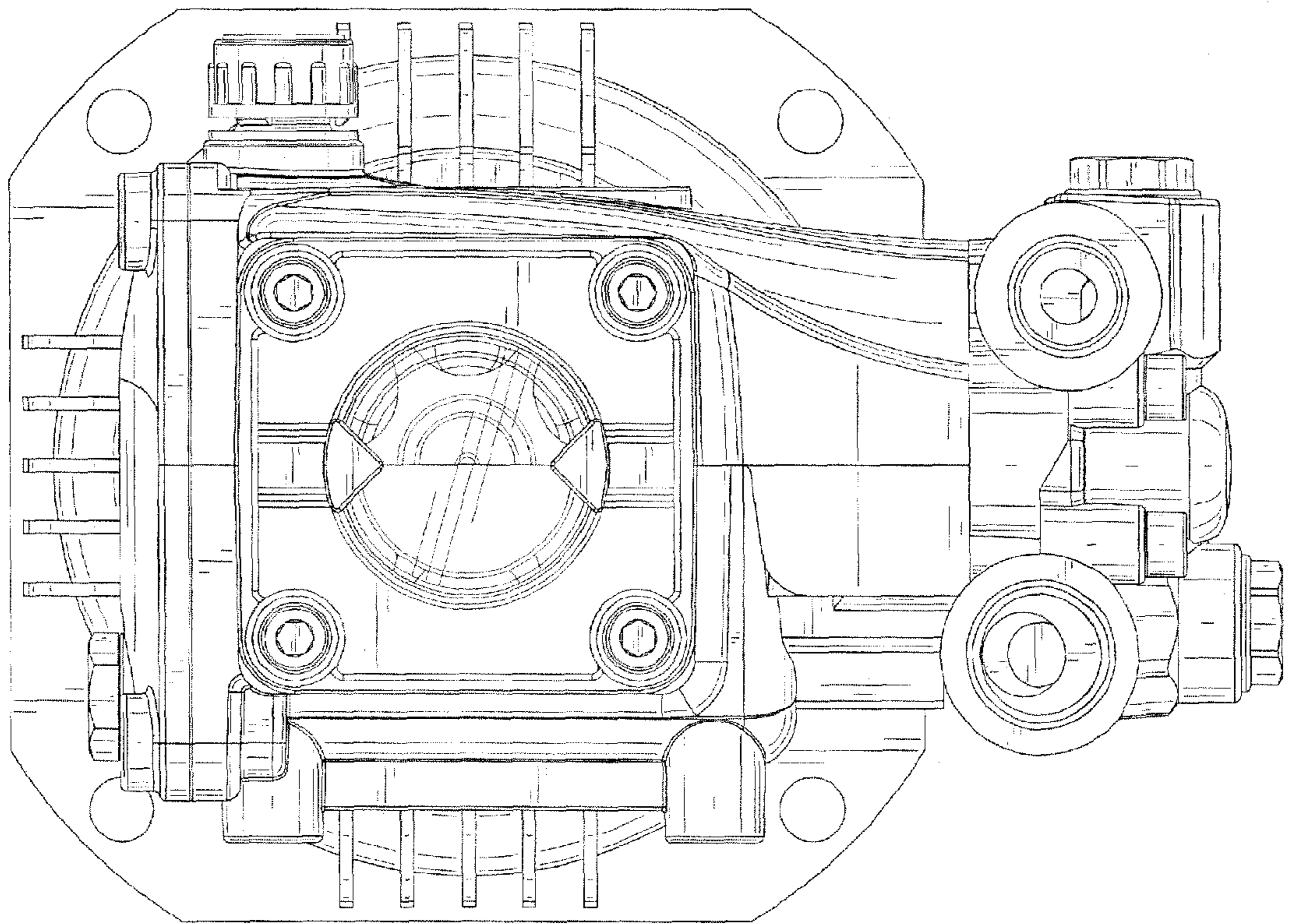


FIG. 6

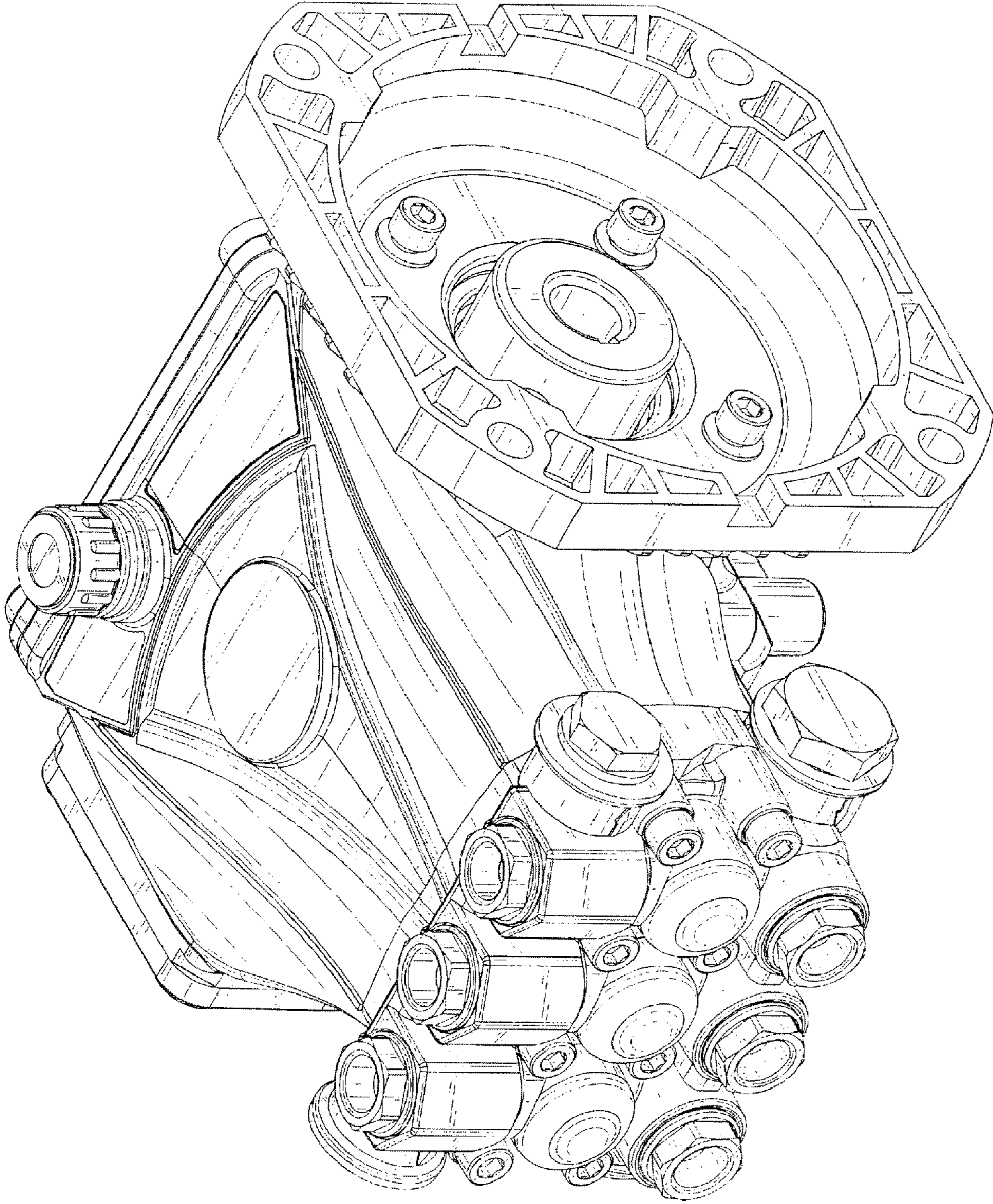


FIG. 7