

US00D616464S

(12) **United States Design Patent**
Park

(10) **Patent No.:** **US D616,464 S**

(45) **Date of Patent:** **** May 25, 2010**

(54) **AUDIO INTERFACE**

(75) Inventor: **Cheol Woo Park**, Chicago, IL (US)

(73) Assignee: **Motorola, Inc.**, Schaumburg, IL (US)

(**) Term: **14 Years**

(21) Appl. No.: **29/319,953**

(22) Filed: **Jun. 18, 2008**

(51) **LOC (9) Cl.** **14-03**

(52) **U.S. Cl.** **D14/496; D14/203.1**

(58) **Field of Classification Search** D14/496,
D14/401, 435, 474, 483, 217, 137, 138, 160,
D14/168, 356, 203.1–203.8, 507; 345/156,
345/169, 173–179, 905; 715/727–729, 864;
710/1, 5, 8; 713/1, 600; 455/1.1, 1.7, 73,
455/344–347, 93, 95, 3.01–3.06, 550.1, 573.1;
370/342–344; 369/1, 2, 6–12; 463/43–47;
273/148 B

See application file for complete search history.

(56) **References Cited**

U.S. PATENT DOCUMENTS

D428,405 S * 7/2000 Obata D14/167
6,477,128 B1 * 11/2002 Ma 720/656
D478,889 S * 8/2003 Kulkarni D14/160
6,791,907 B2 * 9/2004 Berhan 369/7

D502,164 S * 2/2005 Ko et al. D14/203.5
D581,429 S * 11/2008 Gilmore D14/496
D586,364 S * 2/2009 Hermansen D14/496
7,593,536 B2 * 9/2009 Sung et al. 381/312
7,613,533 B2 * 11/2009 Lapstun et al. 700/94

* cited by examiner

Primary Examiner—Prabhakar Deshmukh

(57) **CLAIM**

The ornamental design for an audio interface, as shown and described.

DESCRIPTION

FIG. 1 is a perspective view of an ornamental design for a audio interface;

FIG. 2 is a front view thereof;

FIG. 3 is a rear view thereof;

FIG. 4 is a first side view thereof;

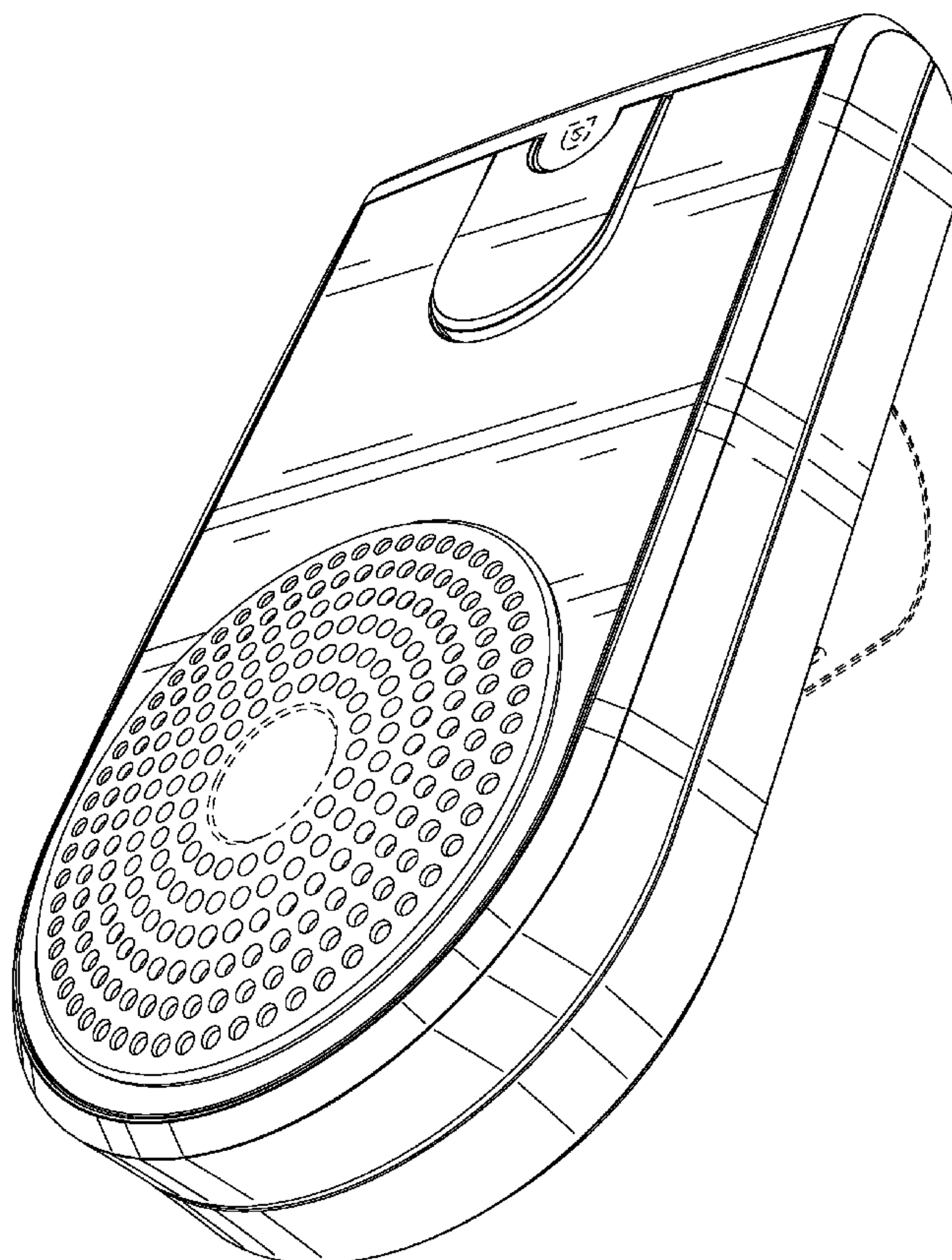
FIG. 5 is a second side view thereof;

FIG. 6 is a top view thereof; and,

FIG. 7 is a bottom view thereof.

The broken line in FIGS. 1–7 showing environmental structures is for illustrative purposes and forms no part of the claim design.

1 Claim, 6 Drawing Sheets



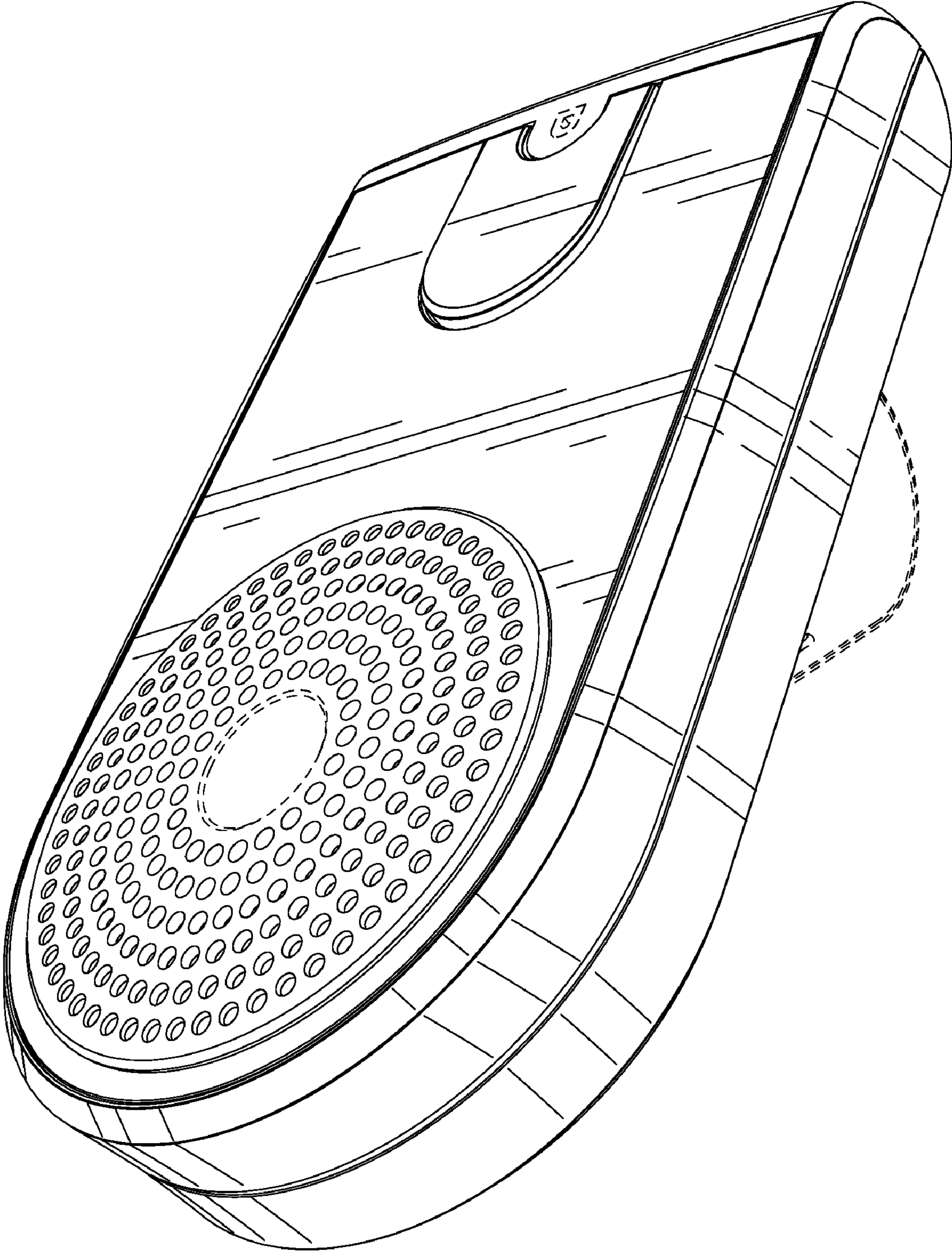


FIG. 1

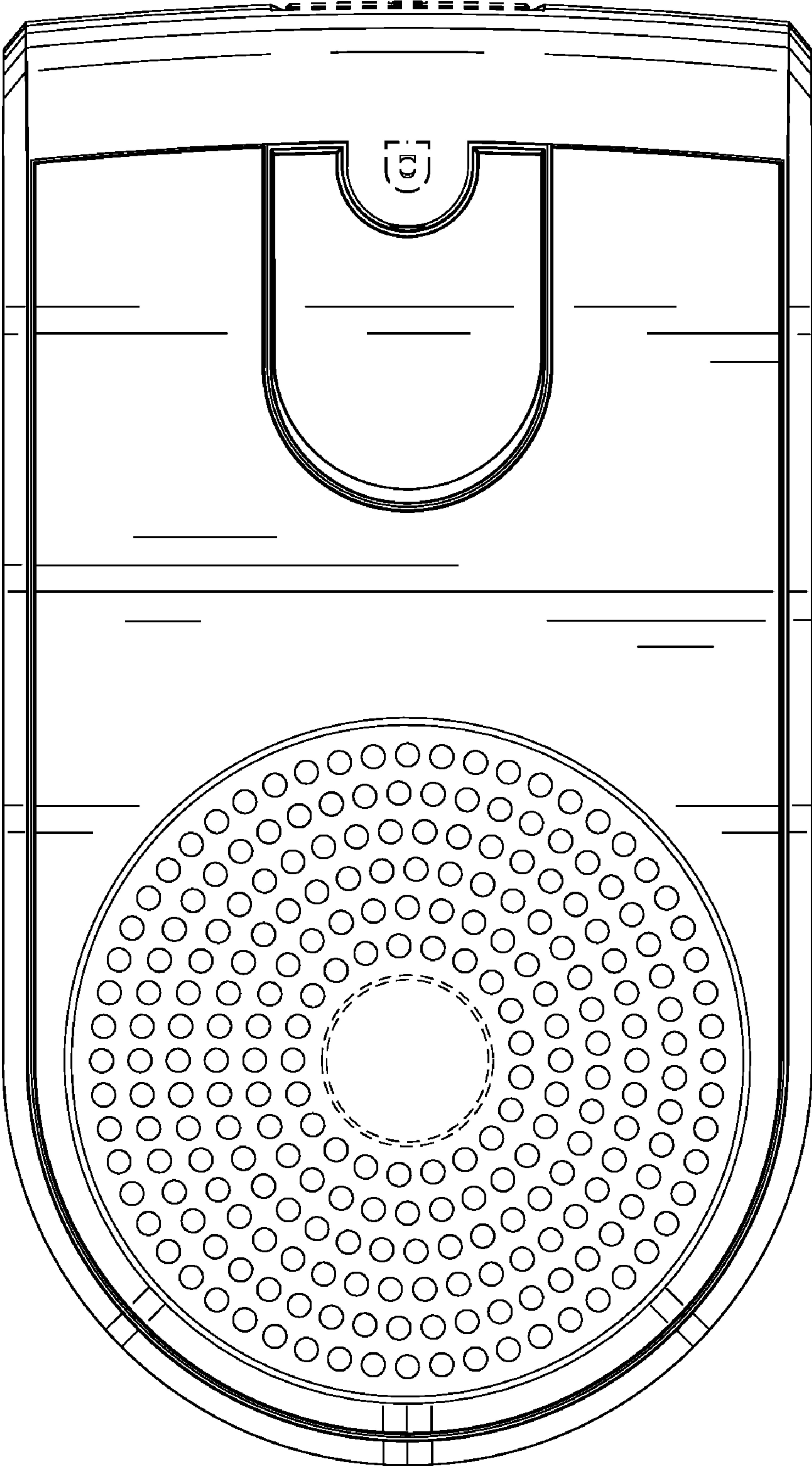


FIG. 2

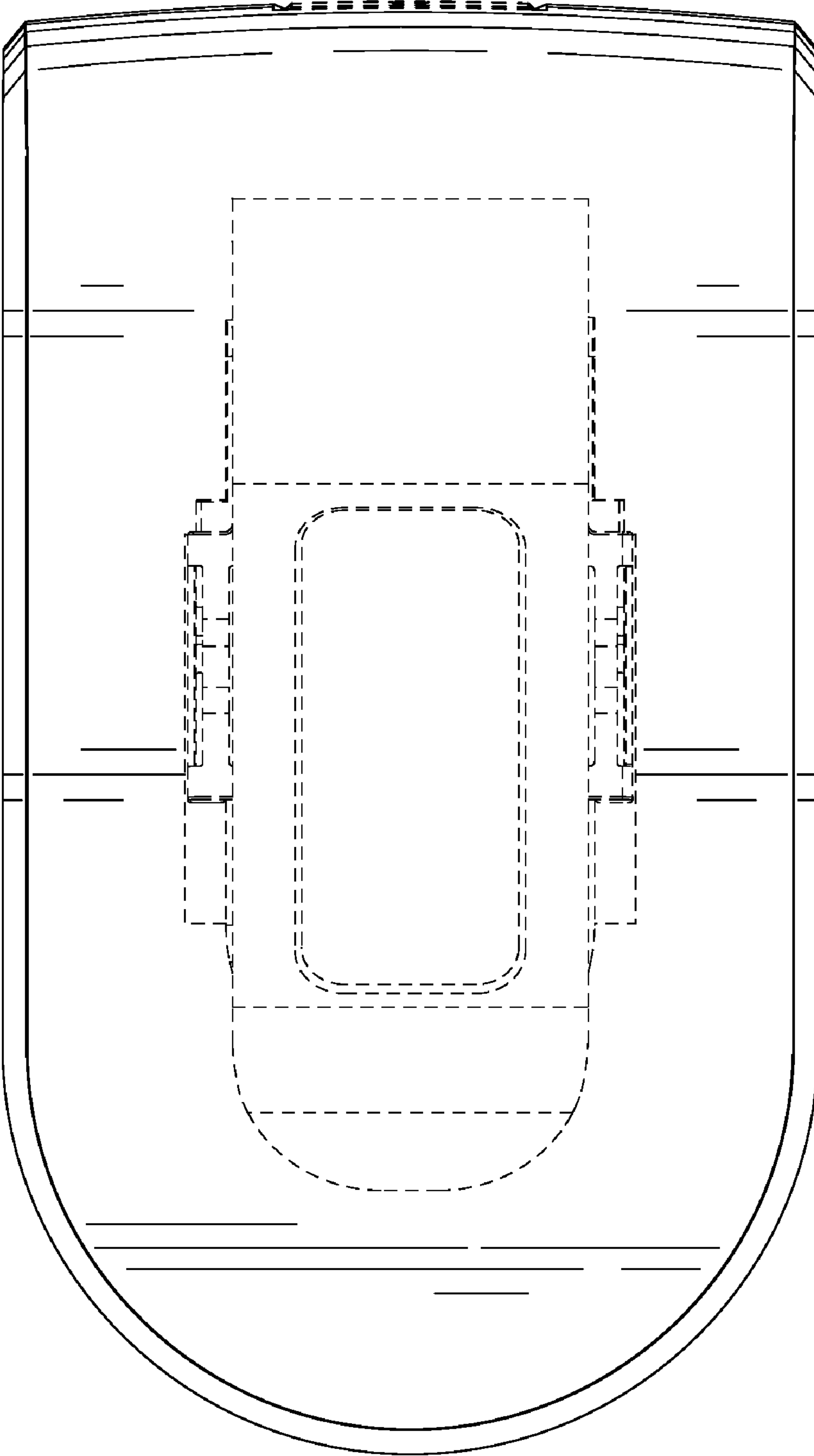


FIG. 3

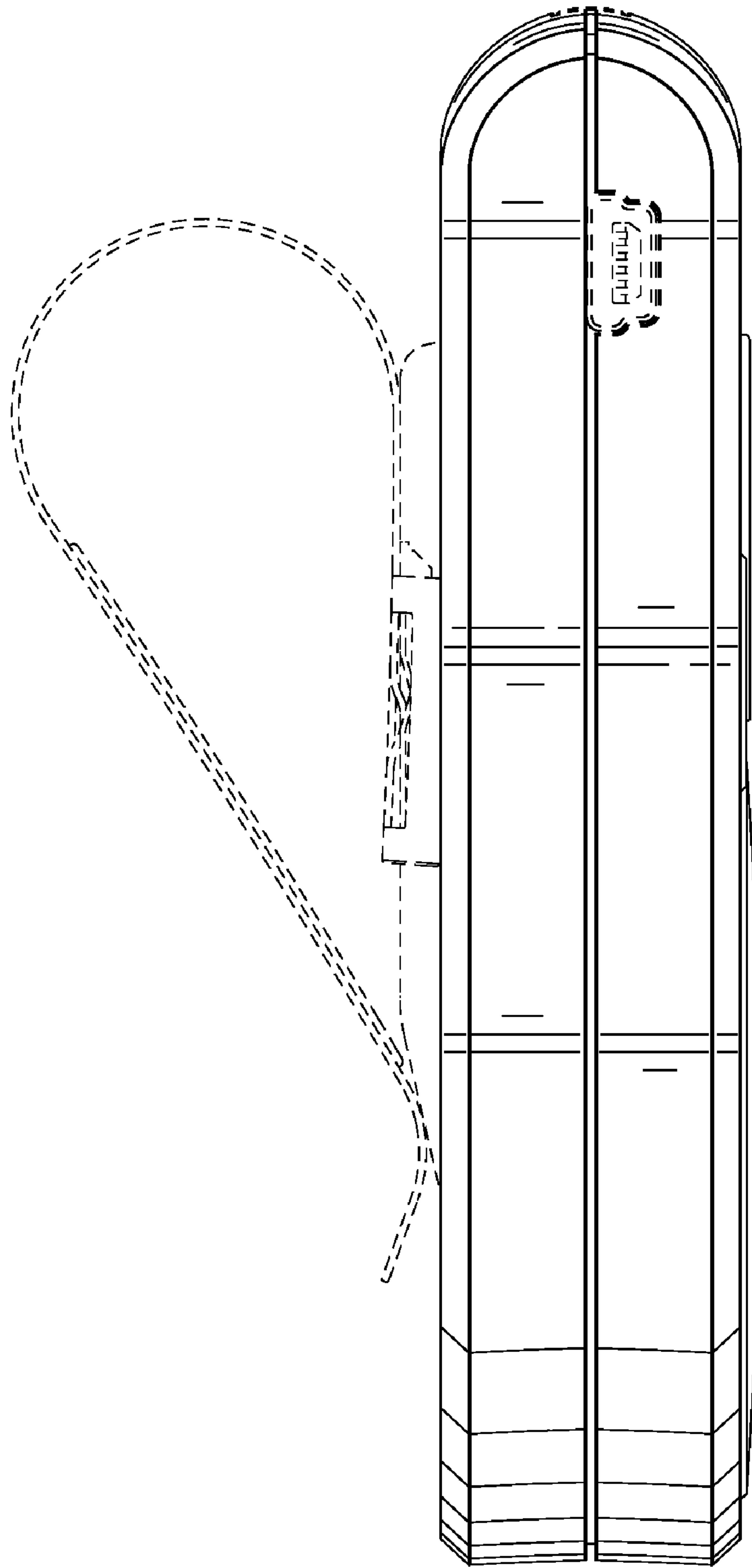


FIG. 4

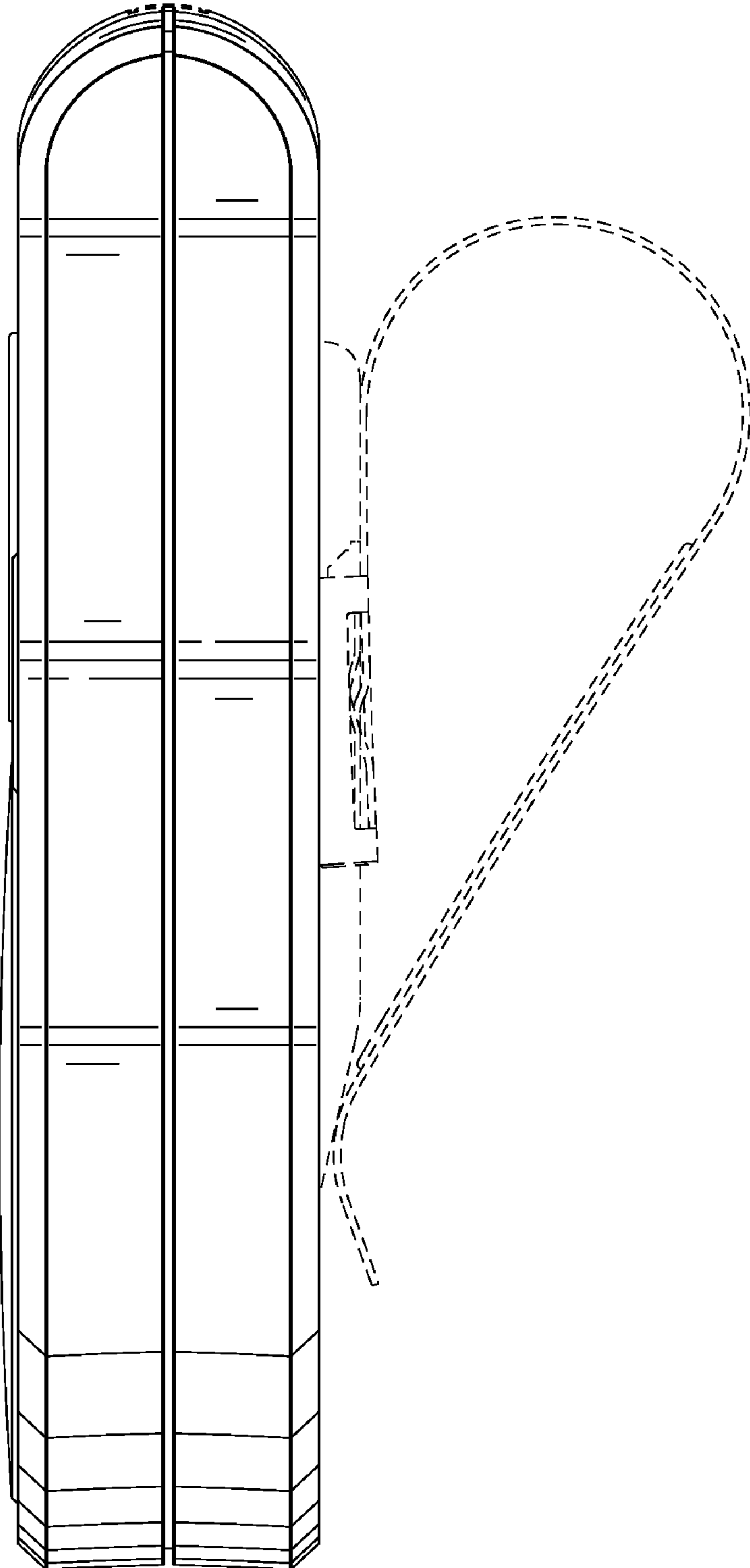


FIG. 5

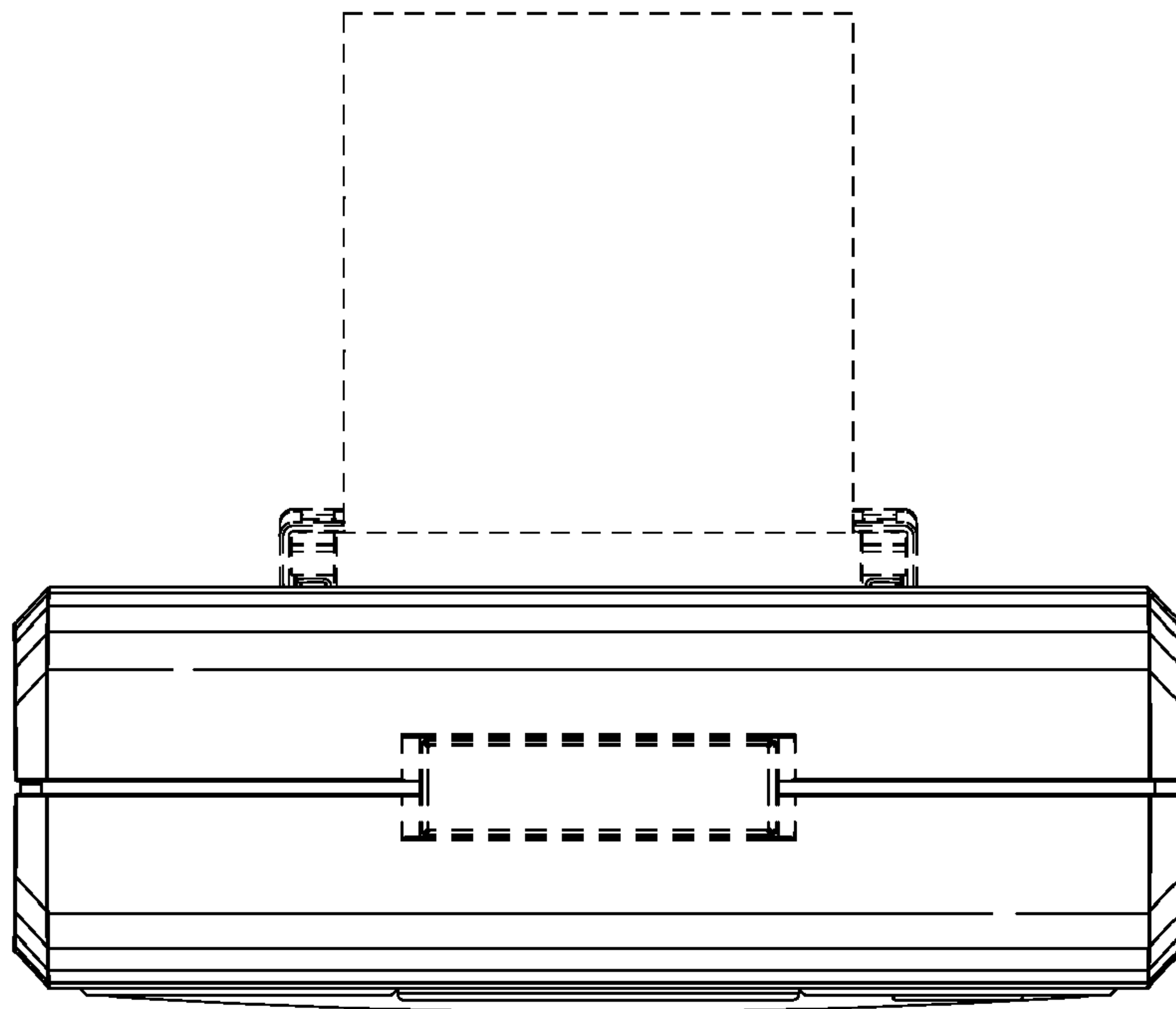


FIG. 6

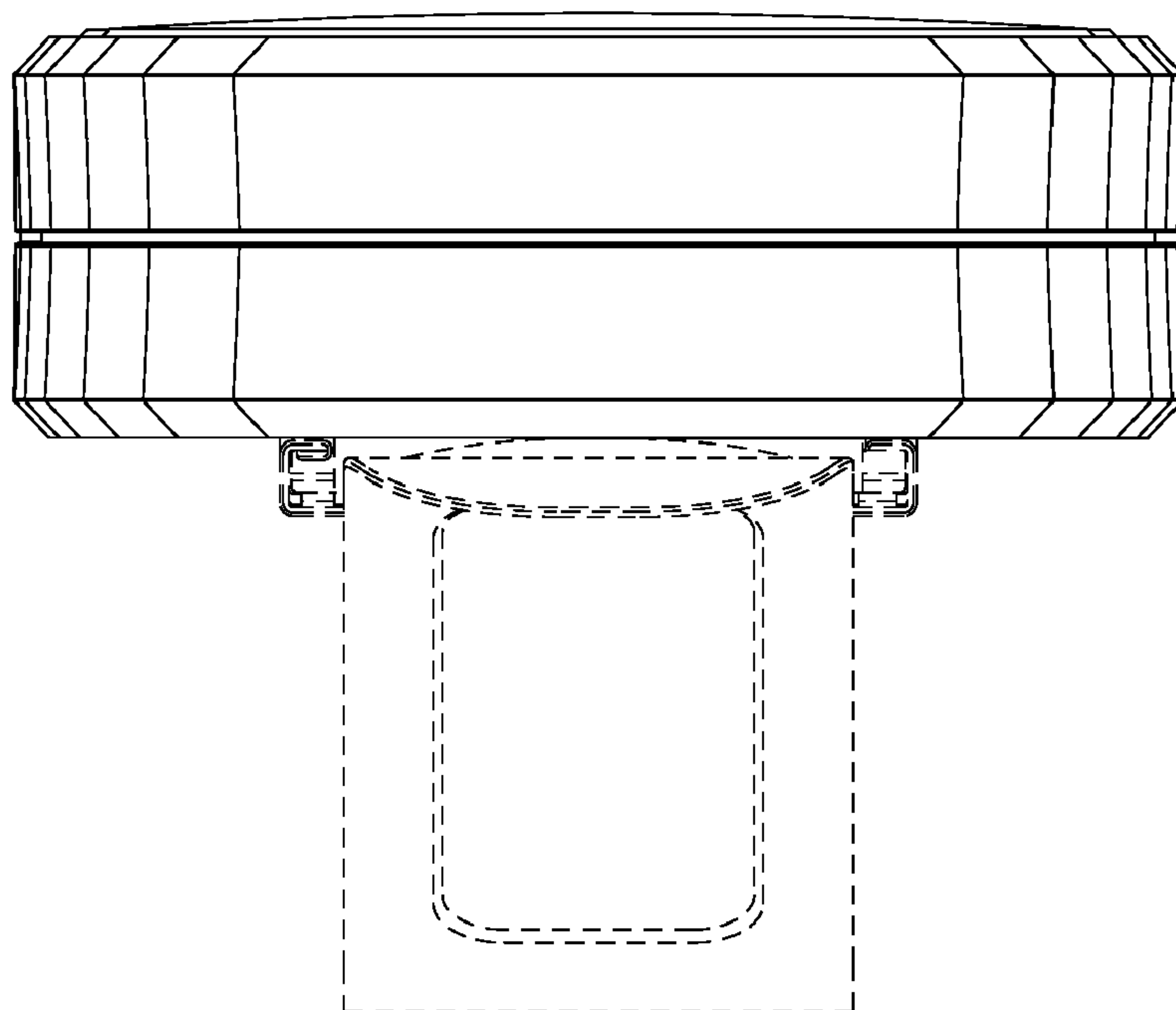


FIG. 7