



US00D616449S

(12) **United States Design Patent**
Lo

(10) **Patent No.:** **US D616,449 S**
(45) **Date of Patent:** **** May 25, 2010**

(54) **USB FLASH DISK**

(76) **Inventor:** **Yu-Nan Lo**, No. 8, Lane 45, Ciancun E. Rd., Daya Township, Taichung County 42852 (TW)

(**) **Term:** **14 Years**

(21) **Appl. No.:** **29/325,225**

(22) **Filed:** **Sep. 26, 2008**

(51) **LOC (9) Cl.** **14-99**

(52) **U.S. Cl.** **D14/480.7**

(58) **Field of Classification Search** D14/411,
D14/433, 435.1, 436, 480.1–480.7, 484.1,
D14/137, 155, 167, 168, 203.1–203.8, 240,
D14/242, 299; D3/201, 273; D13/107, 108,
D13/149, 184; 361/679.31, 679.33, 679.4,
361/752; 711/100, 115; 710/300, 301; 439/131,
439/135–147

See application file for complete search history.

(56) **References Cited**

U.S. PATENT DOCUMENTS

D472,885 S *	4/2003	Kataoka	D14/167
6,808,400 B2 *	10/2004	Tu	439/131
D500,485 S *	1/2005	Deguchi	D14/480.1
D514,588 S *	2/2006	Sassano	D14/496
D522,506 S *	6/2006	Chen	D14/480.1
D534,136 S *	12/2006	Voigt et al.	D14/411
D543,202 S *	5/2007	Siu	D14/356
D547,311 S *	7/2007	Chen et al.	D14/356
D547,773 S *	7/2007	Aoki	D14/496

D551,232 S *	9/2007	Shih	D14/433
D552,592 S *	10/2007	Deguchi	D14/167
7,422,454 B1 *	9/2008	Tang et al.	439/131
2006/0258196 A1 *	11/2006	Chen et al.	439/141

* cited by examiner

Primary Examiner—Cathron C Brooks
Assistant Examiner—Karen E Kearney
(74) *Attorney, Agent, or Firm*—Banger Shia

(57) **CLAIM**

The ornamental design for a USB flash disk, as shown and described.

DESCRIPTION

FIG. 1 is a perspective view of a USB flash disk showing my new design;

FIG. 2 is a front elevational view thereof;

FIG. 3 is a rear elevational view thereof;

FIG. 4 is a left side elevational view thereof;

FIG. 5 is a right side elevational view thereof;

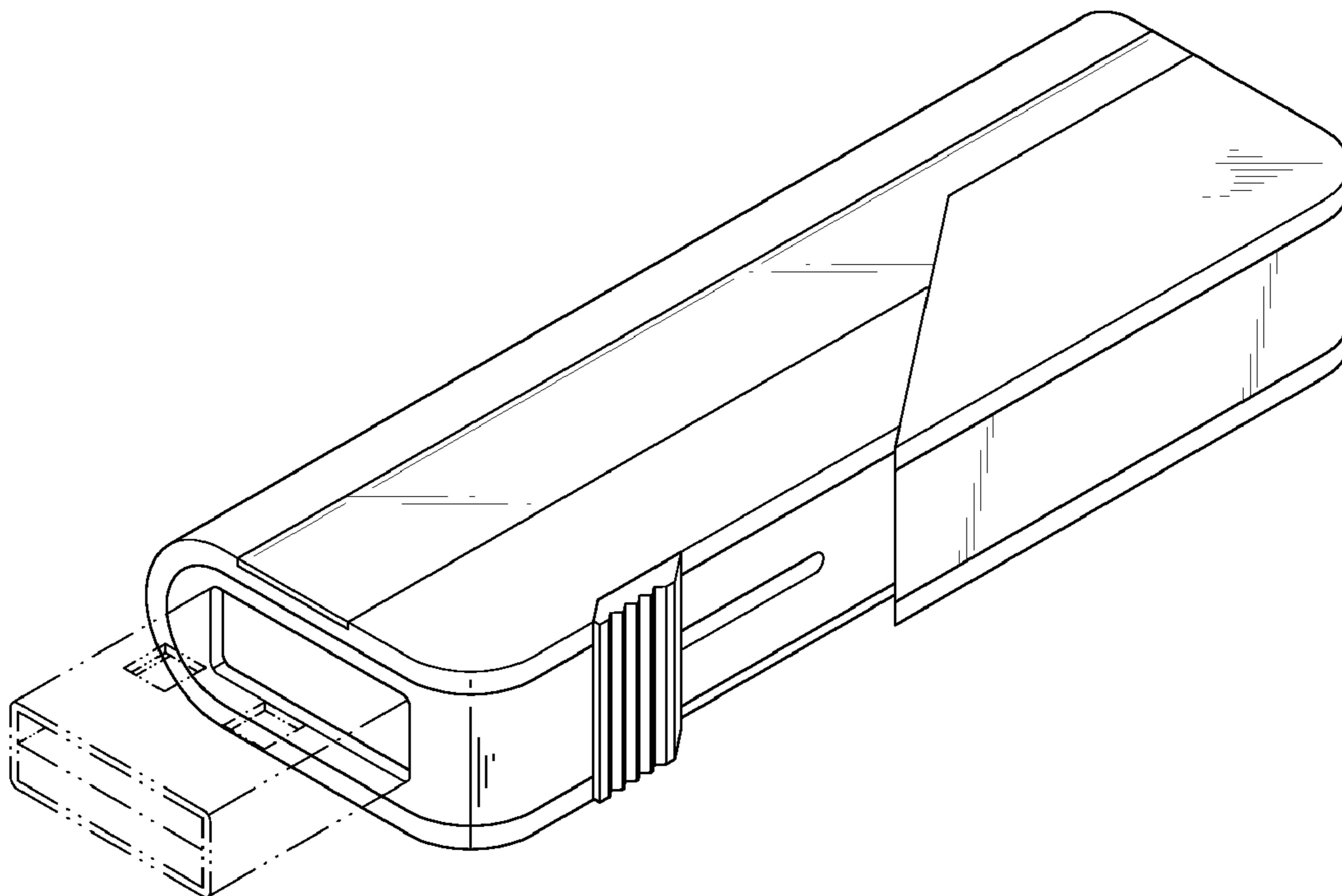
FIG. 6 is a top plan view thereof;

FIG. 7 is a bottom plan view thereof; and,

FIG. 8 is a perspective view thereof, with the broken lines showing of an implementation condition.

The broken lines shown are included for the purpose of illustrating environmental structure and form no part of the claimed design.

1 Claim, 5 Drawing Sheets



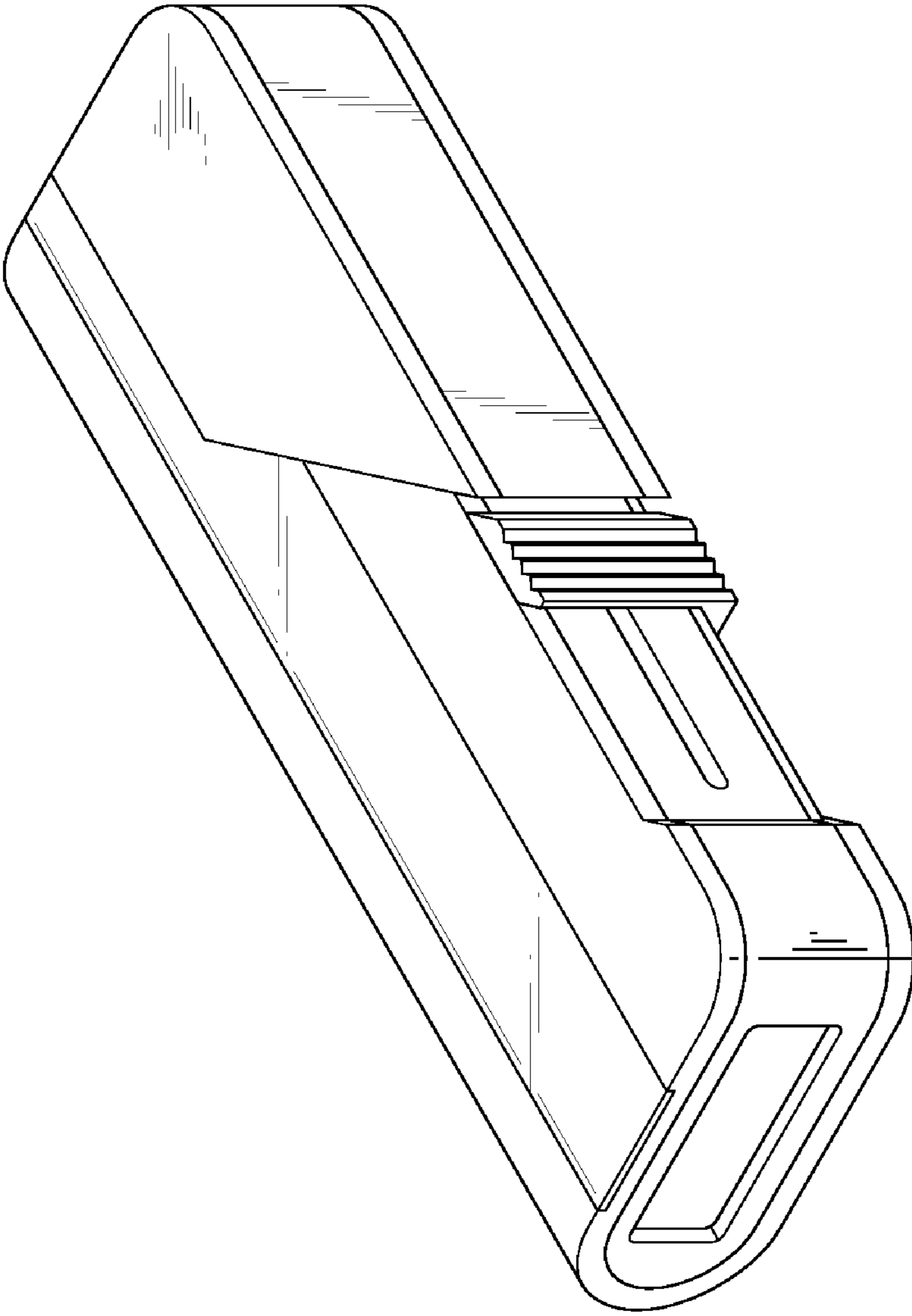


FIG. 1

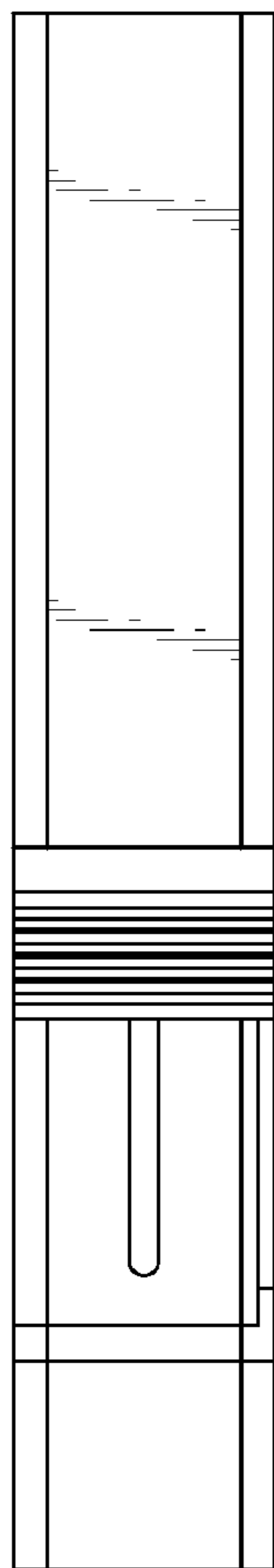


FIG. 2

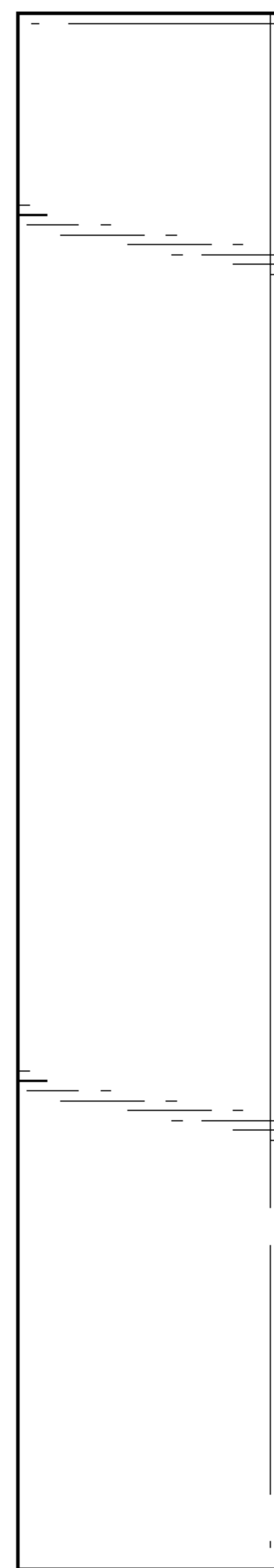


FIG. 3

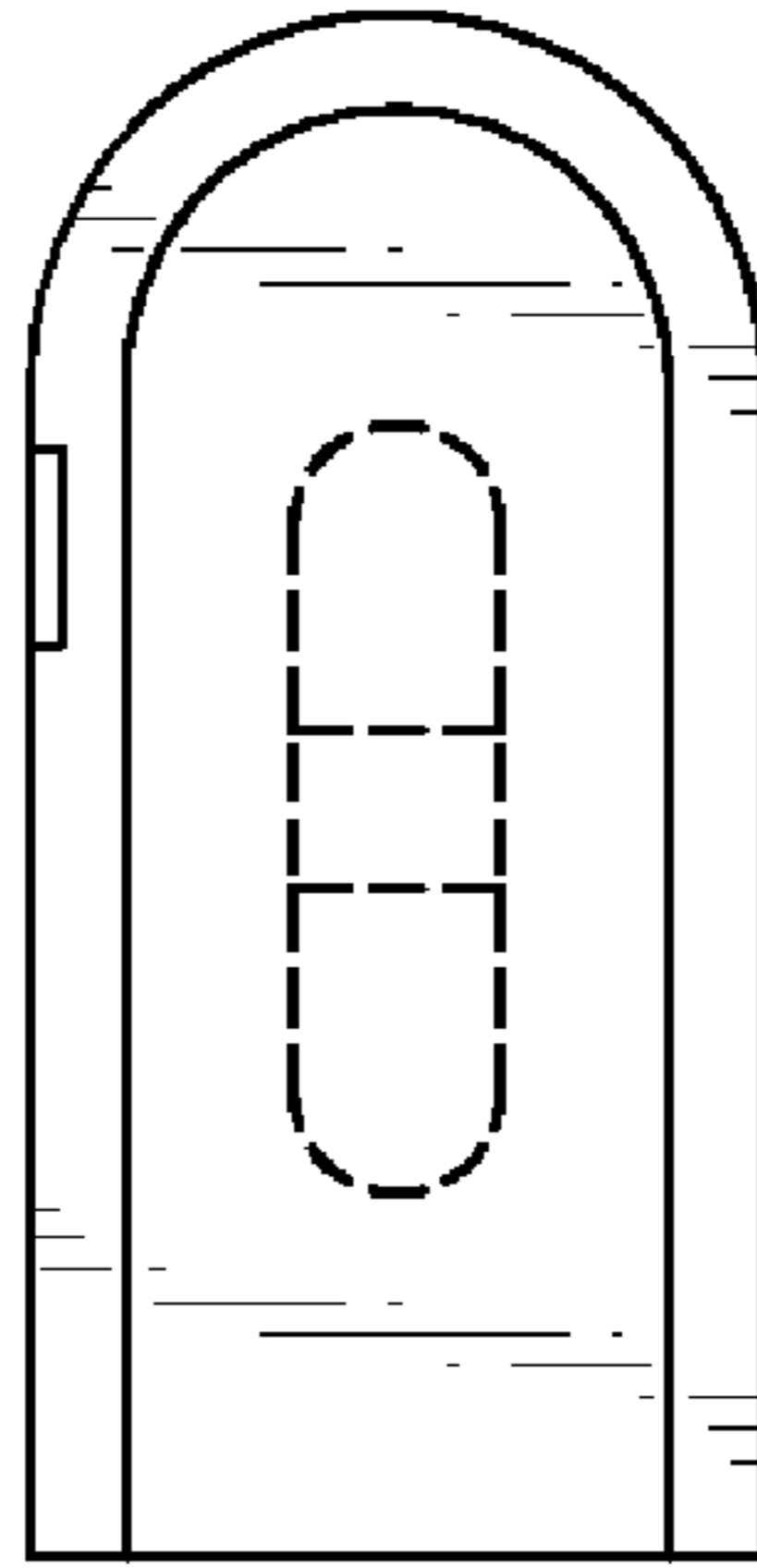


FIG. 5

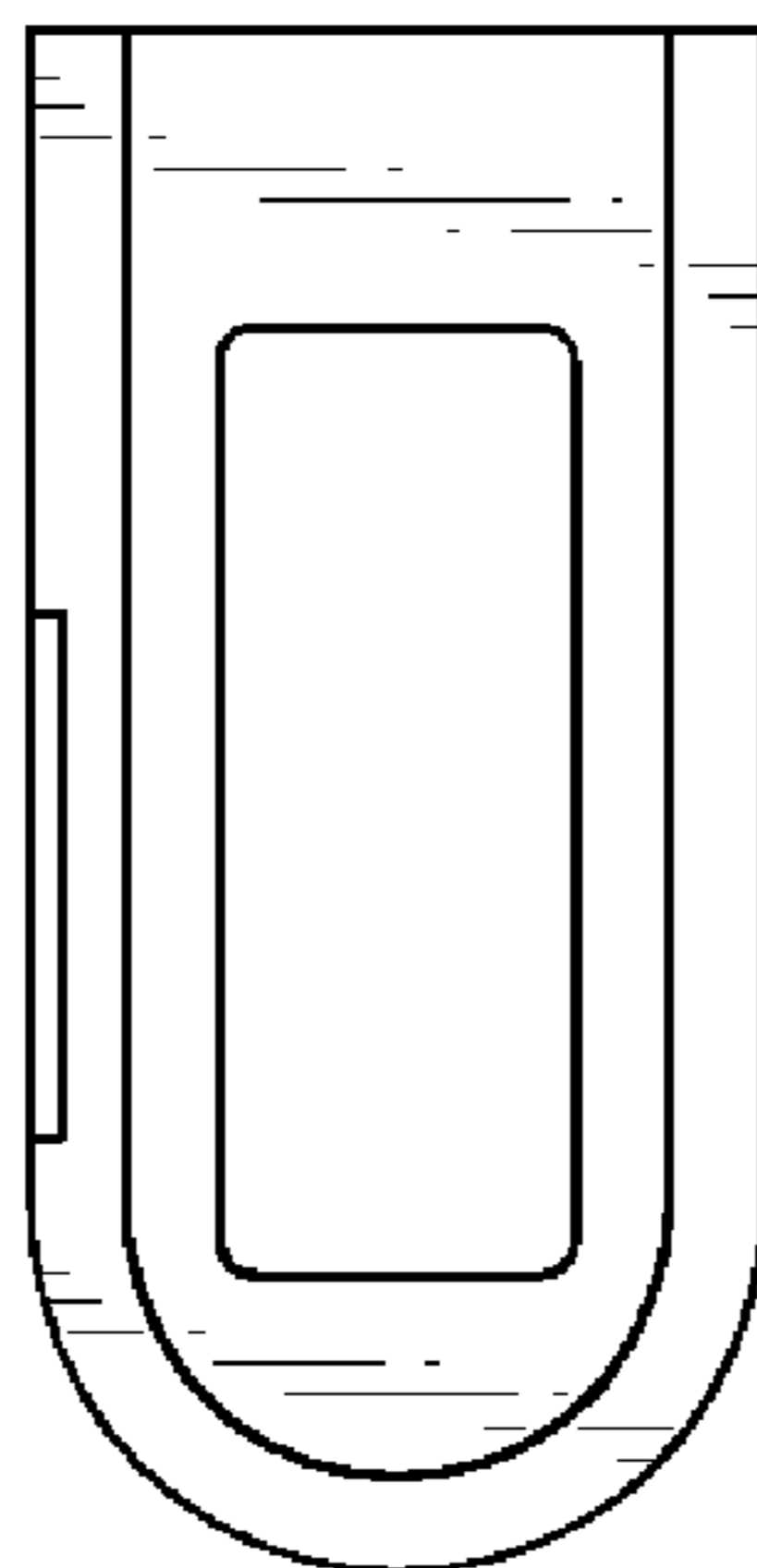


FIG. 4

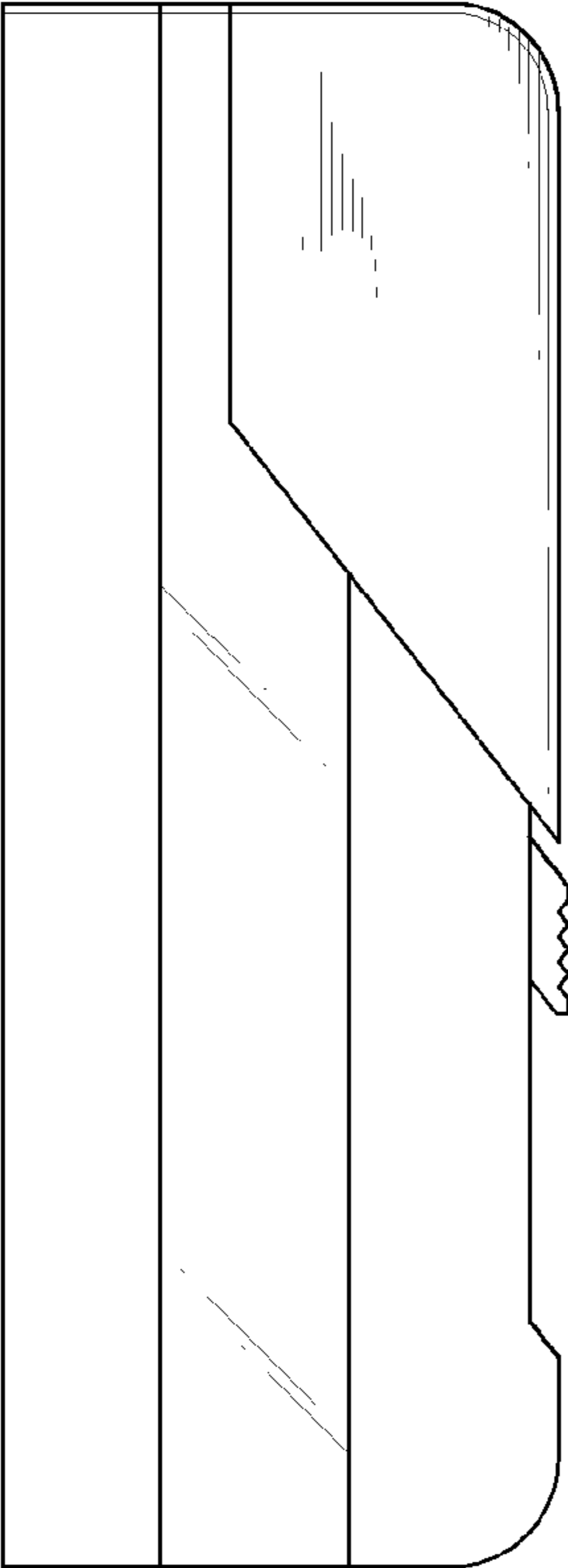


FIG. 6

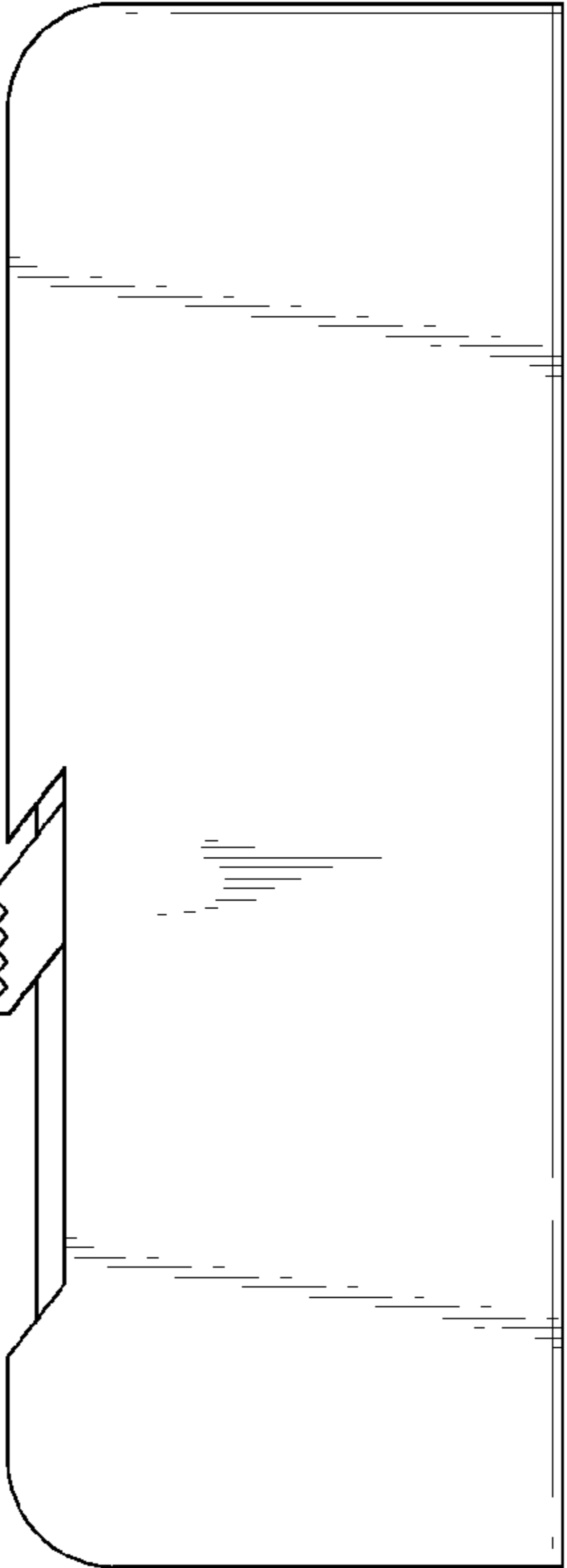


FIG. 7

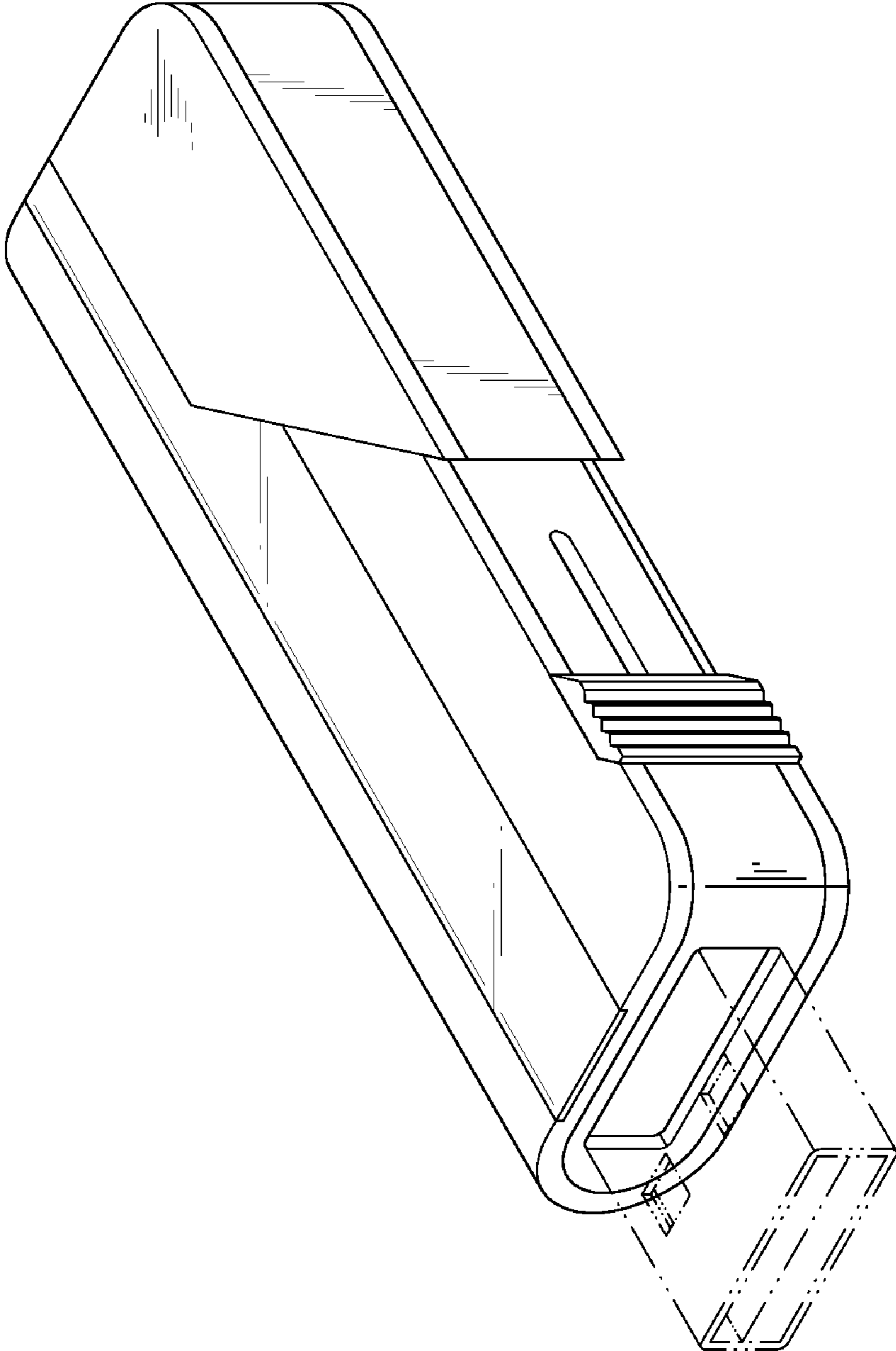


FIG. 8