



US00D616448S

(12) **United States Design Patent**
Skillman et al.

(10) **Patent No.:** **US D616,448 S**

(45) **Date of Patent:** **** May 25, 2010**

(54) **HOUSING FEATURE FOR A PORTABLE COMPUTING DEVICE**

(75) Inventors: **Peter Nils Skillman**, San Carlos, CA (US); **Cathal Loughnane**, Wicklow (IE)

(73) Assignee: **Palm, Inc.**, Sunnyvale, CA (US)

(**) Term: **14 Years**

(21) Appl. No.: **29/350,981**

(22) Filed: **Nov. 25, 2009**

Related U.S. Application Data

(62) Division of application No. 29/324,421, filed on Sep. 11, 2008, now Pat. No. Des. 607,459, which is a division of application No. 29/254,205, filed on Feb. 17, 2006, now Pat. No. Des. 579,939.

(51) **LOC (9) Cl.** **14-02**

(52) **U.S. Cl.** **D14/439; D14/315**

(58) **Field of Classification Search** D14/315-327, D14/348, 349, 351, 353-355, 385, 388-398, D14/432-434, 439-447; 361/679.01, 679.02, 361/679.07, 679.08, 679.09, 679.1, 679.18, 361/679.19, 679.2, 679.26, 679.27, 679.28, 361/679.31, 679.55, 679.57, 679.58

See application file for complete search history.

(56) **References Cited**

U.S. PATENT DOCUMENTS

| | | | | |
|--------------|---------|---------------|-------|---------|
| D353,133 S * | 12/1994 | Yamada et al. | | D14/325 |
| D413,309 S * | 8/1999 | Park | | D14/341 |
| D413,581 S * | 9/1999 | Park | | D14/341 |
| D426,548 S * | 6/2000 | Oross et al. | | D14/432 |
| D438,539 S * | 3/2001 | Kung et al. | | D14/322 |

| | | | | |
|-------------------|--------|------------------|-------|------------|
| D442,172 S * | 5/2001 | Mizuno | | D14/317 |
| D489,053 S * | 4/2004 | Nakamura | | D14/167 |
| D490,423 S * | 5/2004 | Cervantes et al. | | D14/349 |
| D491,544 S * | 6/2004 | Kolinen | | D14/138 AA |
| D503,708 S * | 4/2005 | Kolinen | | D14/248 |
| D508,489 S * | 8/2005 | Cervantes et al. | | D14/323 |
| 7,382,607 B2 * | 6/2008 | Skillman | | 361/679.55 |
| 2007/0041149 A1 * | 2/2007 | Homer et al. | | 361/681 |

* cited by examiner

Primary Examiner—Cathron C Brooks

Assistant Examiner—Deanna Fluegeman

(74) *Attorney, Agent, or Firm*—Fenwick & West LLP

(57) **CLAIM**

The ornamental design for a housing feature for a portable computing device, as shown and described.

DESCRIPTION

FIG. 1 is a top view of the housing feature for a portable computing device;

FIG. 2 is a frontal isometric view of the thereof;

FIG. 3 is a side view thereof;

FIG. 4 is another top view of the housing feature for a portable computing device, shown in an alternate environment;

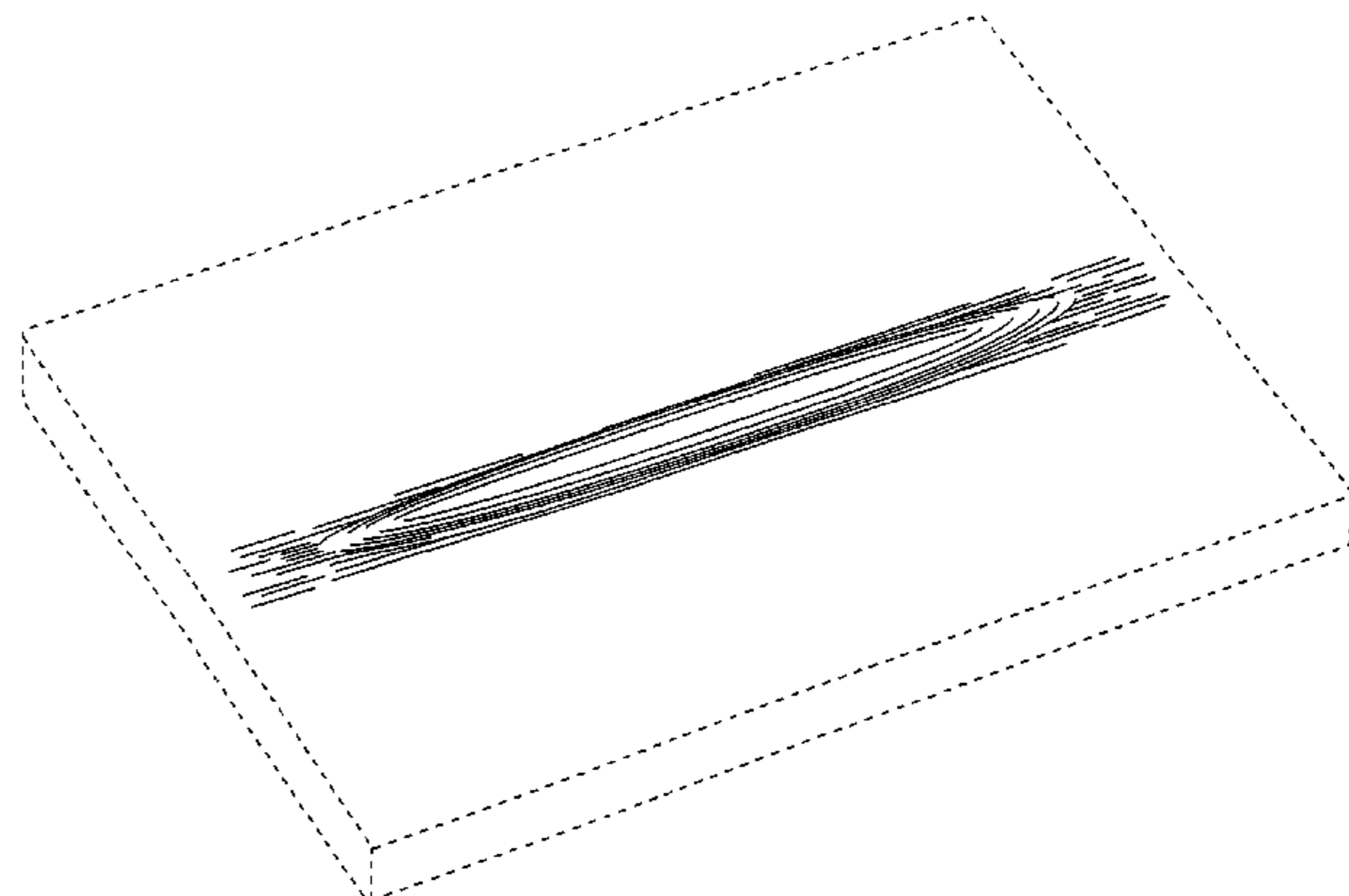
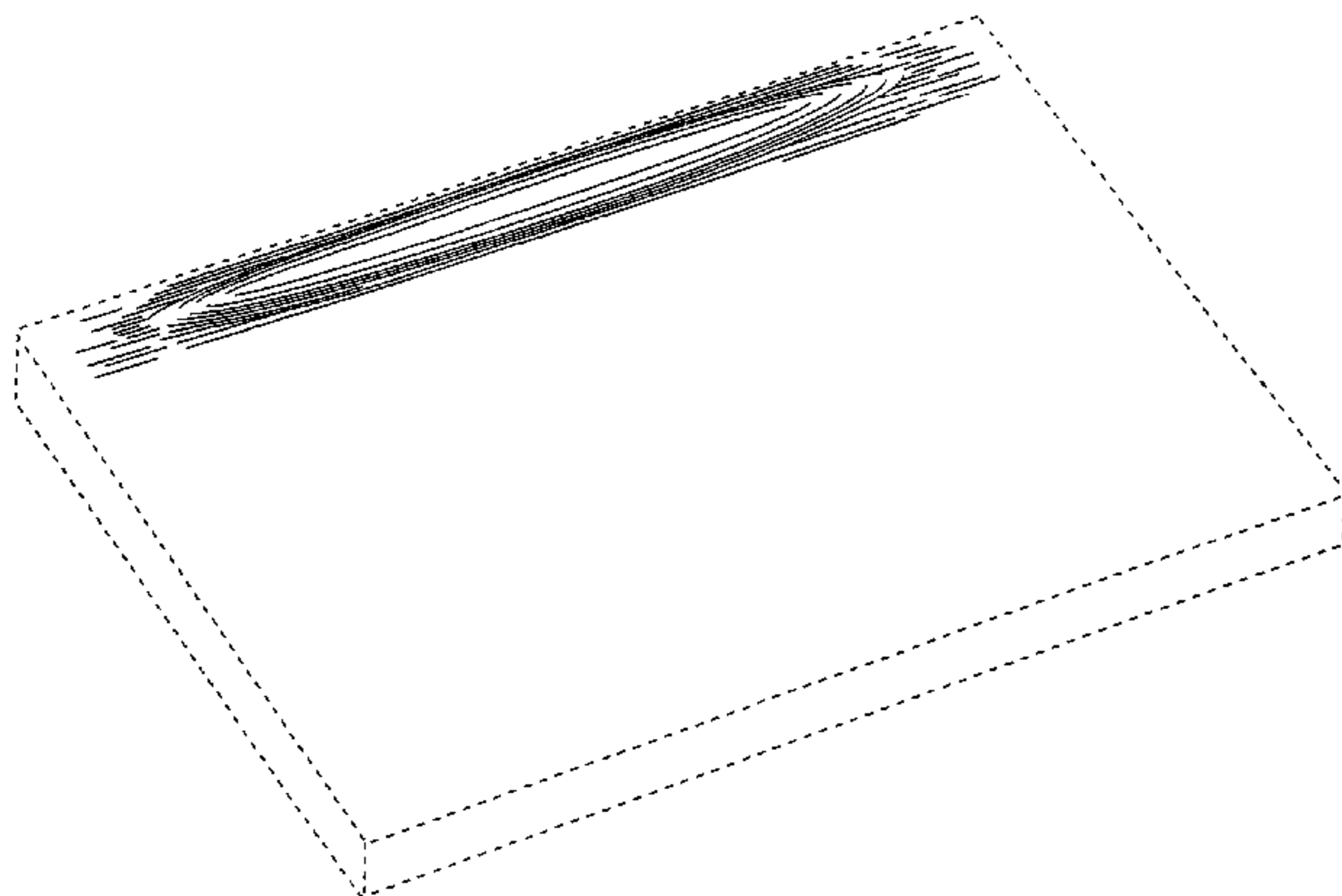
FIG. 5 is a frontal isometric view thereof;

FIG. 6 is a side view thereof; and,

FIG. 7 is another top view of the housing feature for a portable computing device, shown in an alternate environment.

The broken line showing of portions of the portable computing device illustrate unclaimed environment and form no part of the claimed design.

1 Claim, 7 Drawing Sheets



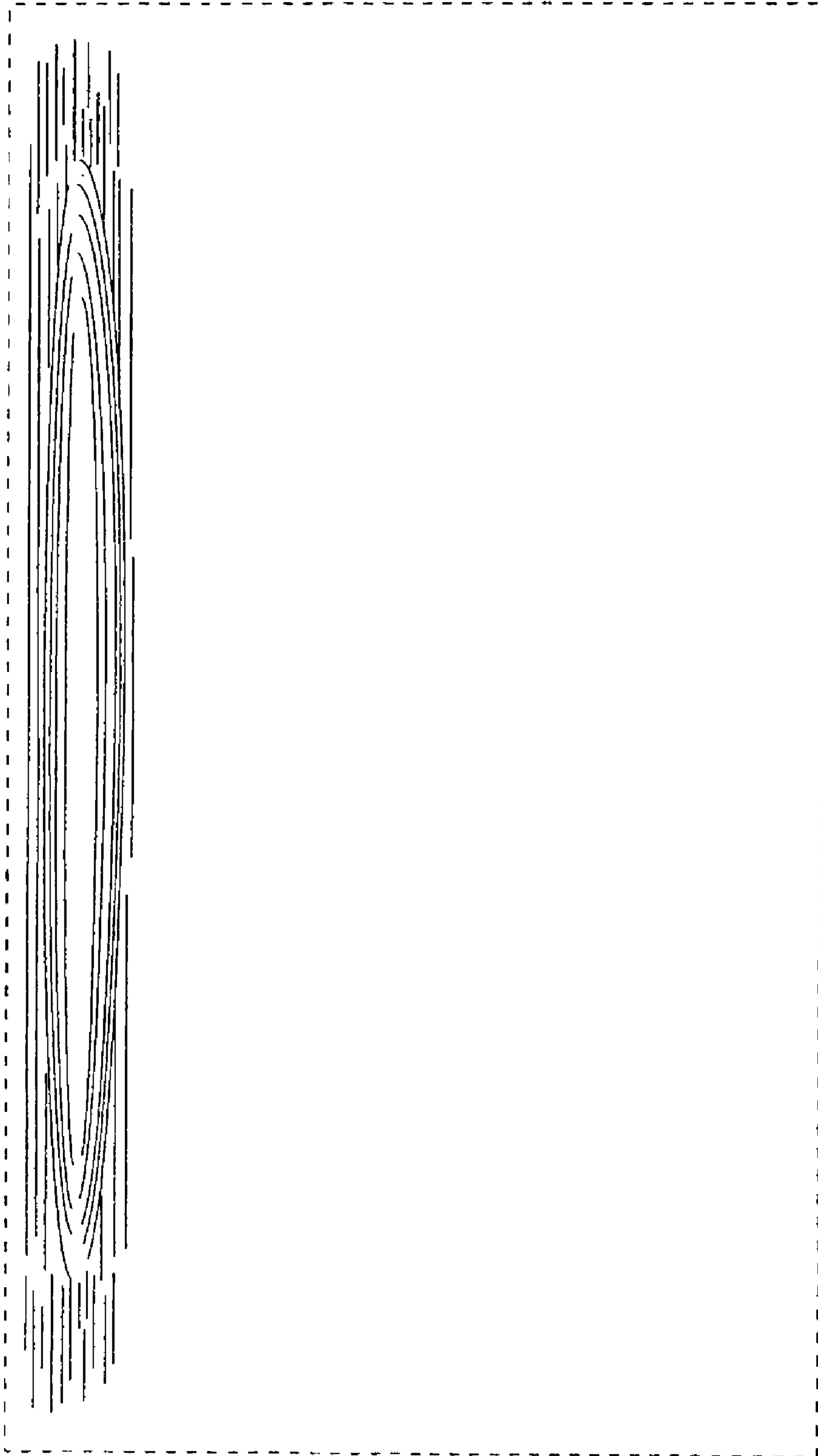


FIG. 1

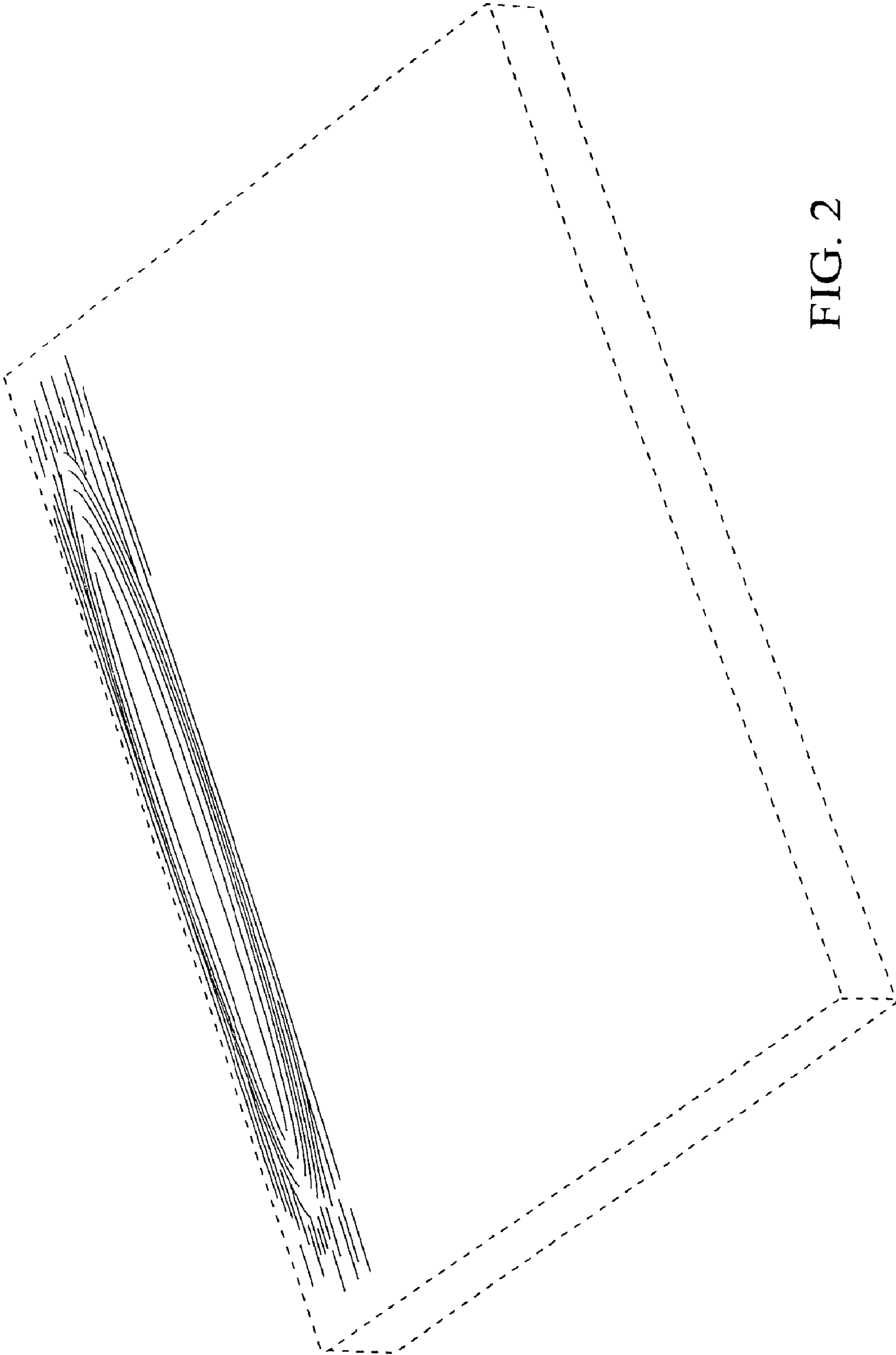


FIG. 2

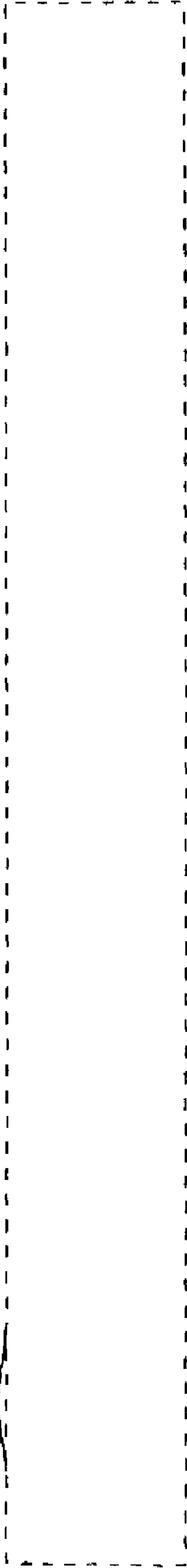


FIG. 3

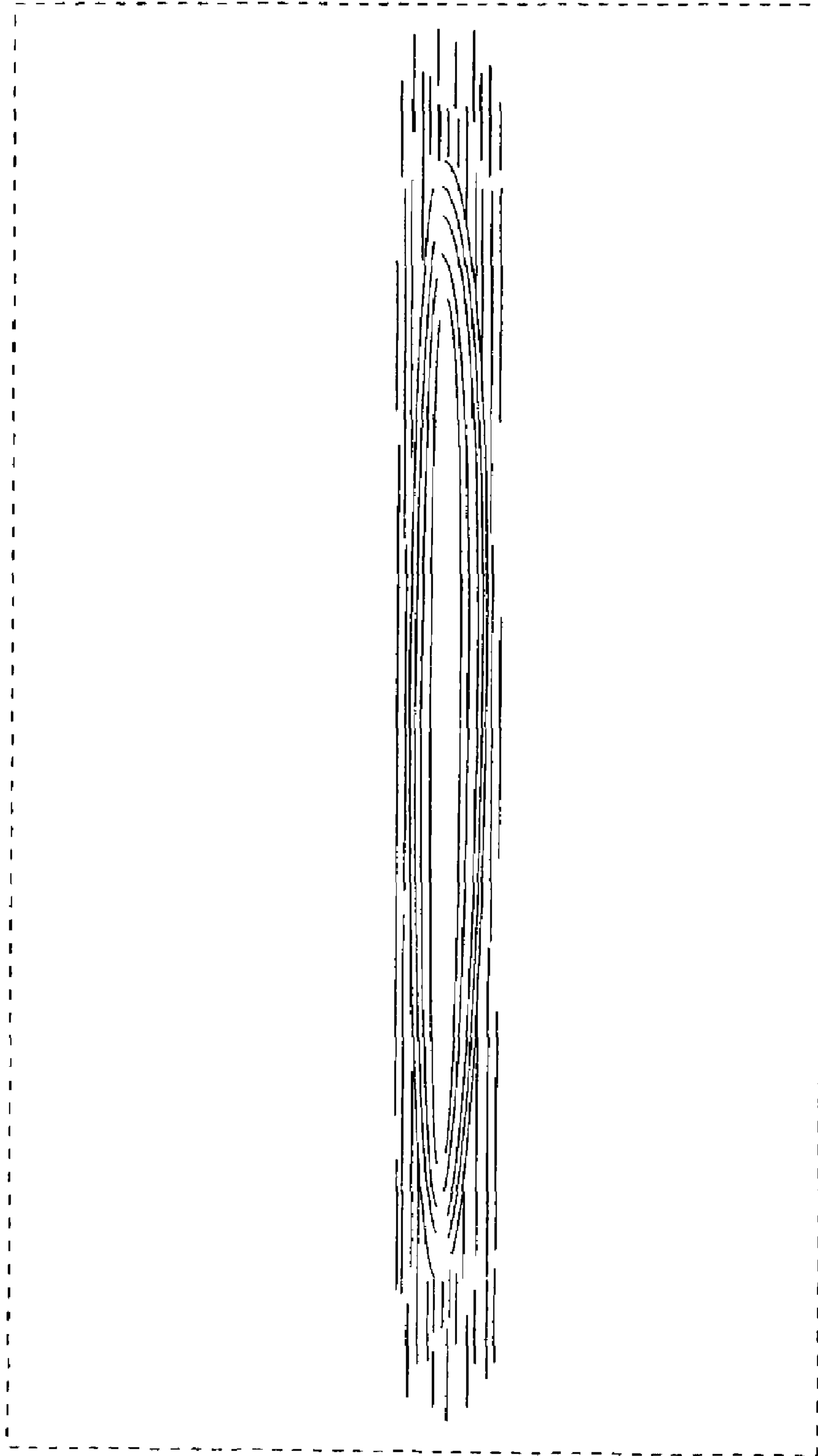


FIG. 4

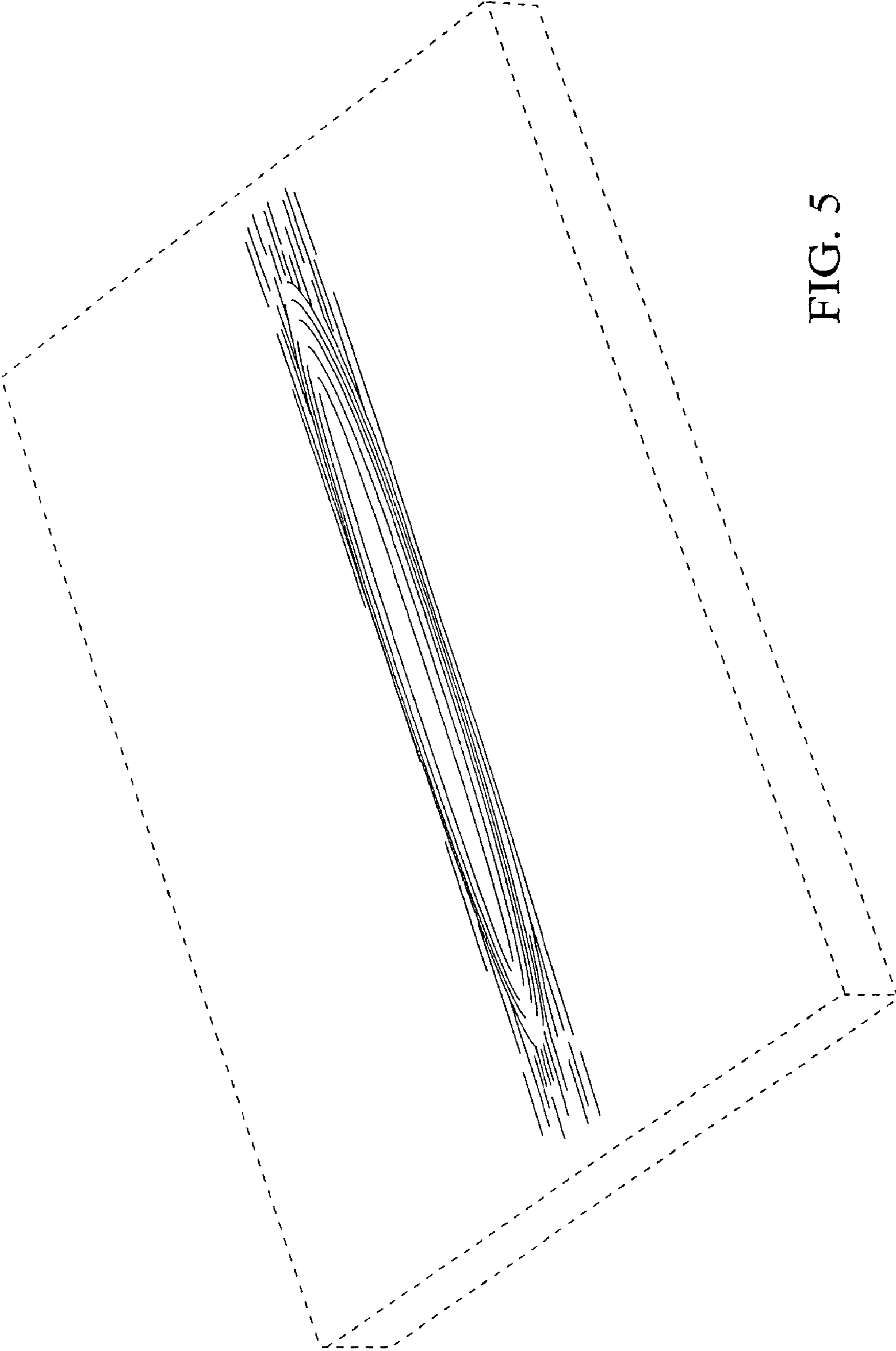


FIG. 5



FIG. 6

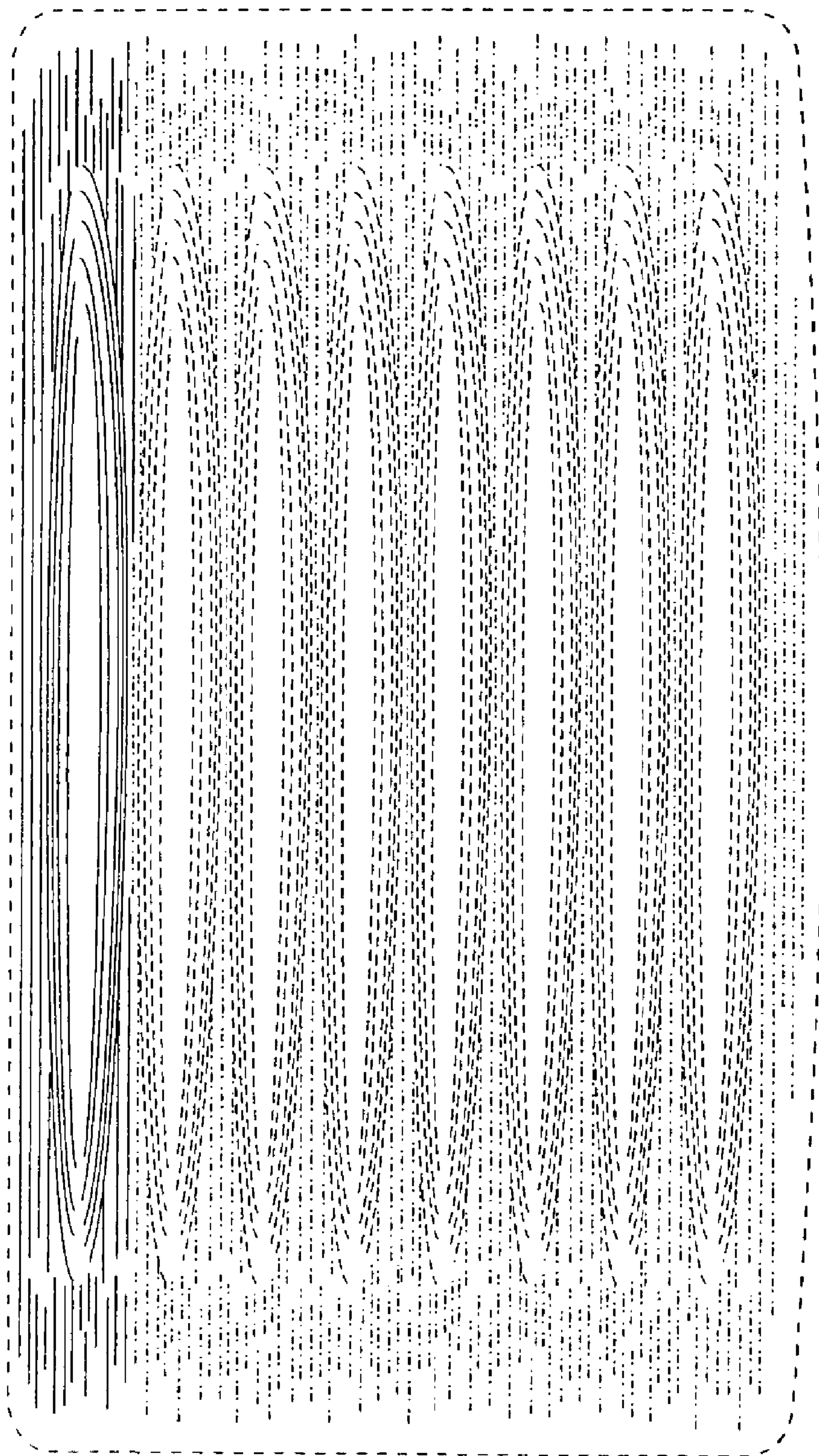


FIG. 7